

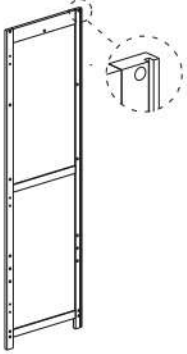
# ASSEMBLY INSTRUCTIONS

Please read all instructions carefully before assembly.

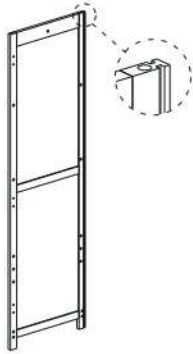
**BAMBOO WARDROBE**

Model : WA-BM-RTN4D

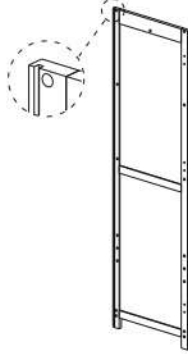
## Parts and Hardware



**1** 1pc  
Outer panel (right)



**2** 2pcs  
Centre panel



**3** 1pc  
Outer panel (left)



**4** 4pcs  
Door



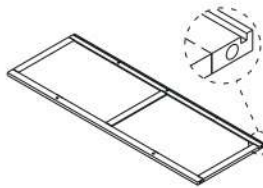
**5** 2pcs  
Wide rear panel



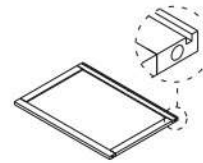
**6** 2pcs  
Narrow rear panel



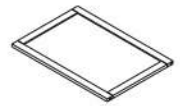
**7** 1pc  
Rear post



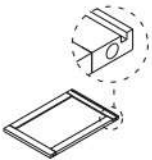
**8** 1pc  
Top panel



**9** 1pc  
Large base panel



**10** 1pc  
Large shelf



**11** 2pcs  
Small base panel



**12** 6pcs  
Small shelf



**13** 1pc  
Garments rod



**14** 12pcs  
Hinge



**15** 4pcs  
Handle



**A** 52pcs  
Large screw



**B** 48pcs  
Small screw



**C** 8pcs  
Medium screw



**D** 1 set  
Wall lock kit



**E** 1pc  
Allen key

### Step 1

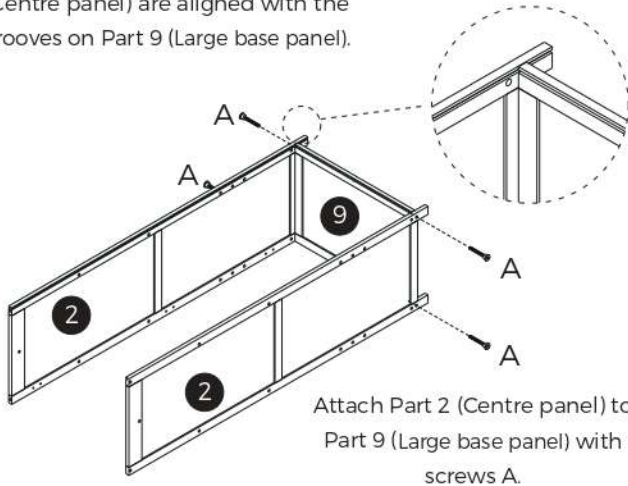
Part A

4pcs



#### NOTE

Make sure that the grooves on Part 2 (Centre panel) are aligned with the grooves on Part 9 (Large base panel).



Attach Part 2 (Centre panel) to Part 9 (Large base panel) with screws A.

### Step 2

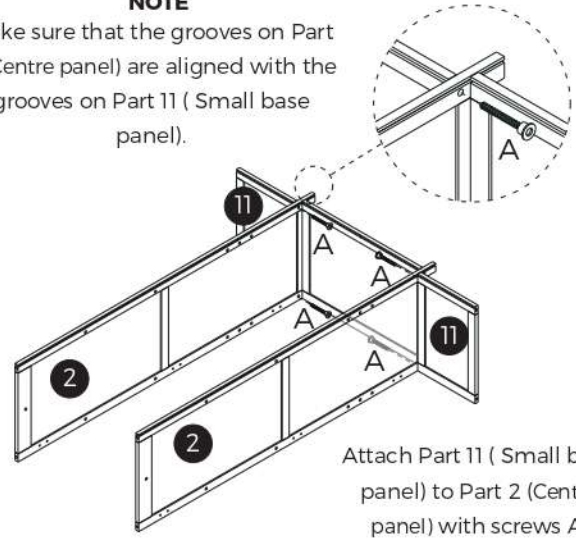
Part A

4pcs



#### NOTE

Make sure that the grooves on Part 2 (Centre panel) are aligned with the grooves on Part 11 ( Small base panel).



Attach Part 11 ( Small base panel) to Part 2 (Centre panel) with screws A.

### Step 3

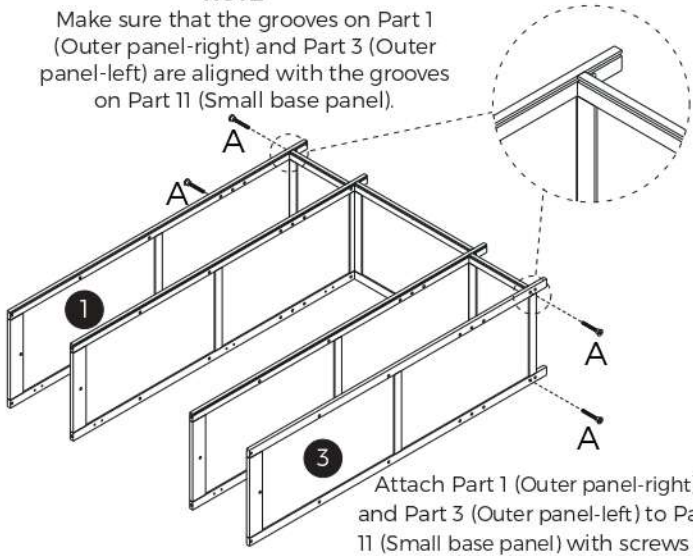
Part A

4pcs



#### NOTE

Make sure that the grooves on Part 1 (Outer panel-right) and Part 3 (Outer panel-left) are aligned with the grooves on Part 11 (Small base panel).



Attach Part 1 (Outer panel-right) and Part 3 (Outer panel-left) to Part 11 (Small base panel) with screws A.

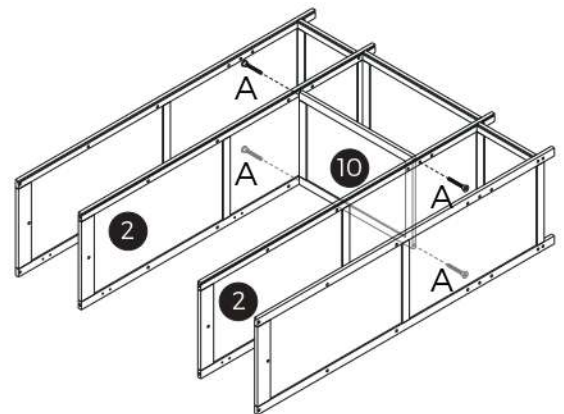
### Step 4

Part A

4pcs



Attach Part 10 (Large shelf) to Part 2 (Centre panel) with screws A.



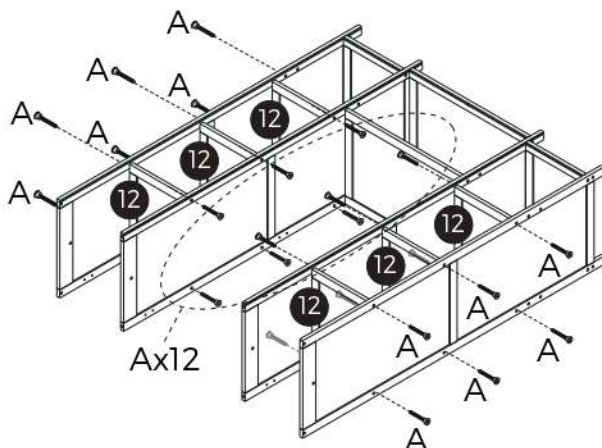
### Step 5

Part A

24pcs



Attach Part 12 (Small shelf) to Parts 1, 2 and 3 with screws A.



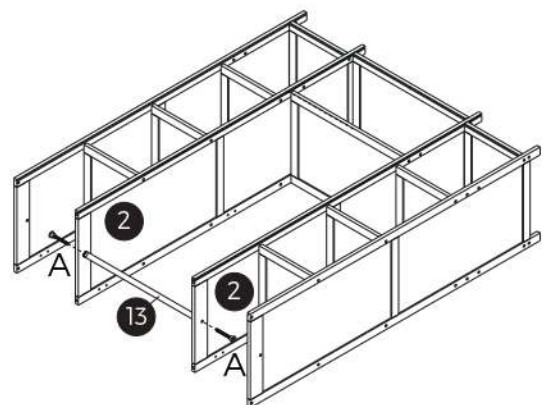
### Step 6

Part A

2pcs



Attach Part 13 (Garments rod) to Part 2 (Centre panel) with screws A.

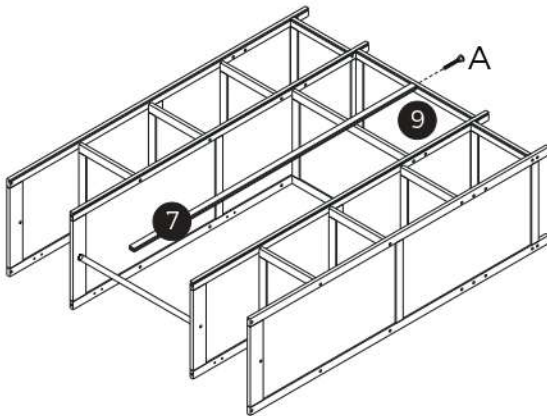


## Step 7

Part A  
1pc

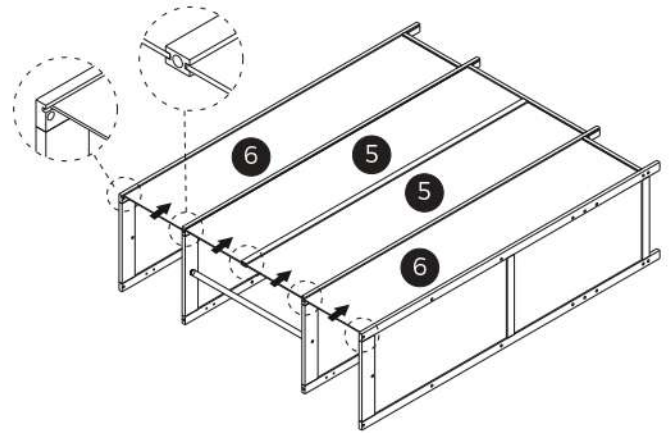


Attach Part 7 (Rear post) to Part 9  
(Large base panel) with screws A.



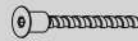
## Step 8

Insert Part 5 (Wide rear panel) and Part 6 (Narrow rear panel) along the grooves of Parts 1, 2 and 3.



## Step 9

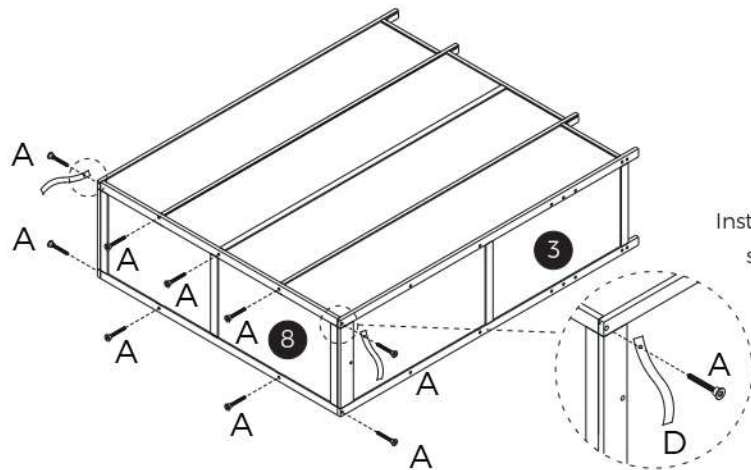
Part A  
9pcs



Part D  
2pcs



Attach Part 8 (Top panel) to the  
top with screws A.



Install Part D and  
see Step 12.

## Step 10

Part B  
24pcs



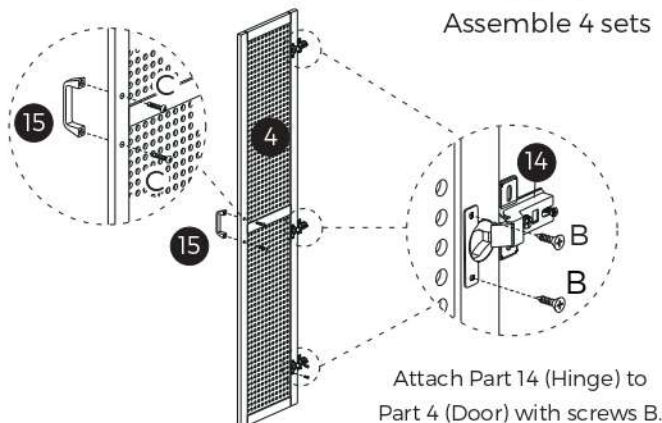
Part C  
8pcs



Attach Part 15 (Handle) to Part 4 (Door)  
with screws C.

**x4**

Assemble 4 sets



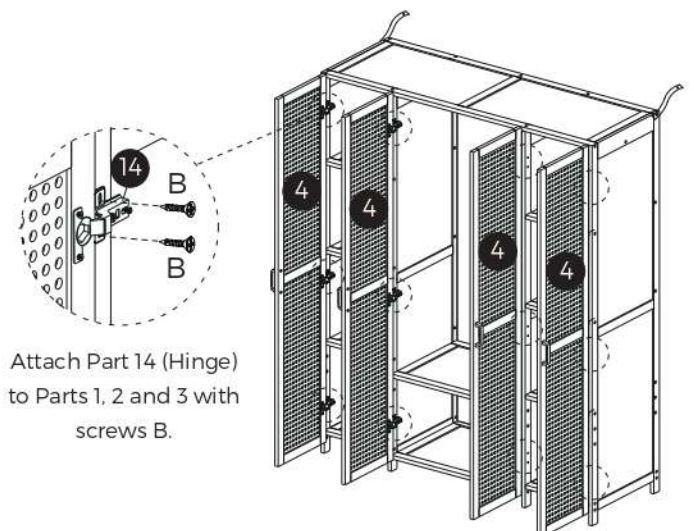
Attach Part 14 (Hinge) to  
Part 4 (Door) with screws B.

## Step 11

Part B  
24pcs

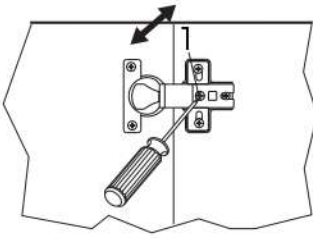


Attach Part 14 (Hinge)  
to Parts 1, 2 and 3 with  
screws B.



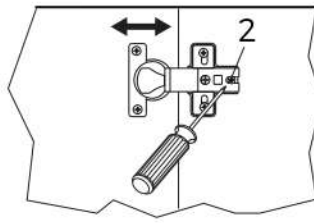
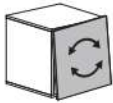
## Hinge Adjustments

If the doors do not appear square or aligned, loosen or tighten the appropriate screws in each case as illustrated.



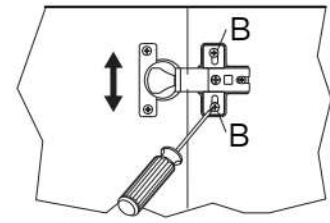
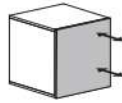
### Sideways adjustment

Adjust the clearance between the door and panel by turning screw 1.



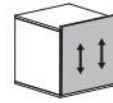
### Depth adjustment

Loosen screw 2, push the hinge arm forward or backward and then tighten screw 2.



### Height adjustment

Loosen screw B, adjust the door height and then tighten screw B.



## Step 12

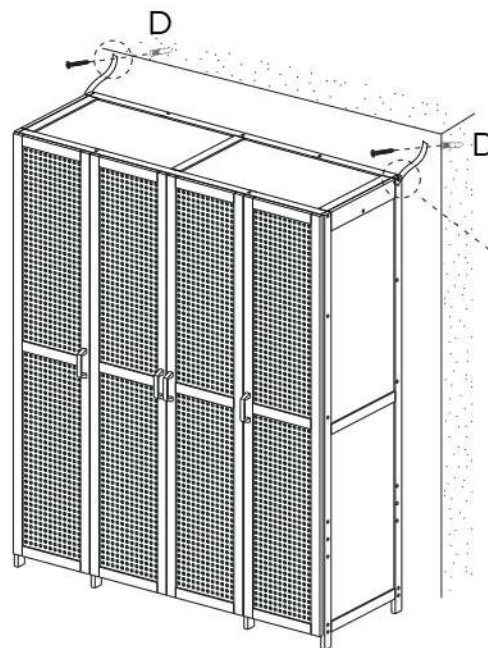
### Part D

Wall lock kit

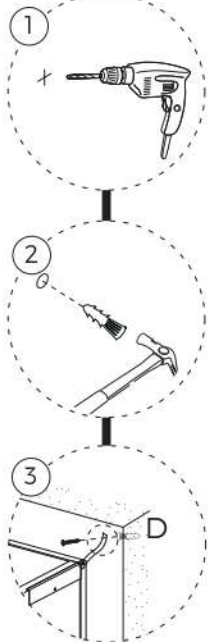


## ! WARNING

It is very important to secure this furniture with an anchoring device for your safety in use.



Pre-drill holes in the wall



## ATTENTION

### • Notice:

Recommended weight capacity:

Storage Shelf: **5kg** Garments Rod: **10kg**

Assembly must be done by adults. Check the product regularly for any damage. Keep away from any hazardous contents.

### • Caution:

Do not place the bamboo product in extremely dry or humid environments. Bamboo is prone to cracking in moisture content under 6% or above 16%.

# CARE AND MAINTENANCE OF BAMBOO FURNITURE

## GENERAL

- Periodically check all screws, bolts and joints connections and tighten them if necessary.
- Periodically check for any damage and deteriorated parts and components and seek repairs or replacements if needed.
- Do not allow any liquids to remain on the furniture as this may cause stains and allow the liquid to be absorbed into the finishes and materials.
- In some cases, this may also cause warping and/or cracking of the materials and finishes. Use coasters and placemats for all food and beverages.
- Do not place hot items, such as dishes, pots and cups, directly on the furniture. Use coasters and placemats for all food and beverages.
- Keep sharp and pointed objects away from furniture to avoid damaging the surface and finish.
- Do not place the furniture near hot objects, heating vents or heating equipment.
- Do not place the furniture in moist areas such as bathrooms to prevent water damage.

## CLEANING AND CARE

- Dust the furniture regularly using a soft cloth or microfibre duster to prevent dust build-up. Consider using a vacuum cleaner to thoroughly clean it.
- Only wipe and clean with a soft, damp cloth with a mild cleaning detergent. Use a toothbrush to clean hard-to-reach spots.
- Allow the washed furniture to dry in the shade rather than in the sun which can dry out bamboo too quickly.
- Do not use a jet wash as this can damage the material.
- Do not use chemicals with bamboo furniture as it may cause unnecessary staining.
- If there are stains or liquid spills, clean it immediately to reduce the likelihood of the stain settling in and becoming permanent.

## ENVIRONMENTAL

- Do not expose the furniture to direct sunlight. Use curtains and blinds to shield the furniture if direct sunlight is unavoidable.
- In dry or hot indoor conditions, wipe the furniture with a cool, damp sponge often to prevent cracking.
- Bamboo furniture is prone to damage and fade with prolonged exposure to extremely high or low humidity conditions. Do not place them in such extreme conditions.
- Bamboo is porous and susceptible to moulding where placed around moist areas. As an optional protection for bamboo furniture, apply a bamboo sealant/varnish on it for durable protection against scratches, water, UV rays and other weather elements.

## HANDLING

- Do not drag, push or pull furniture when moving them. Lift them up to avoid damage to the furniture legs and scratches on floors.
- Do not sit on wet bamboo furniture as this will cause it to stretch or sag.
- Avoid sitting or standing on armrests or use the furniture as a stepping stool for safety reasons.
- Do not exceed the recommended weight capacities of the furniture specified.
- Do not use the furniture for any purpose other than what is intended for.

### ⚠ WARNING

**Children have died from furniture tipover.**

- ALWAYS secure this furniture with an anchor device.
- NEVER allow children to stand, climb or hang on drawers, doors, or shelves.
- NEVER open more than one drawer at a time.
- Place heavy items down low.

**NEVER put a TV on this furniture**