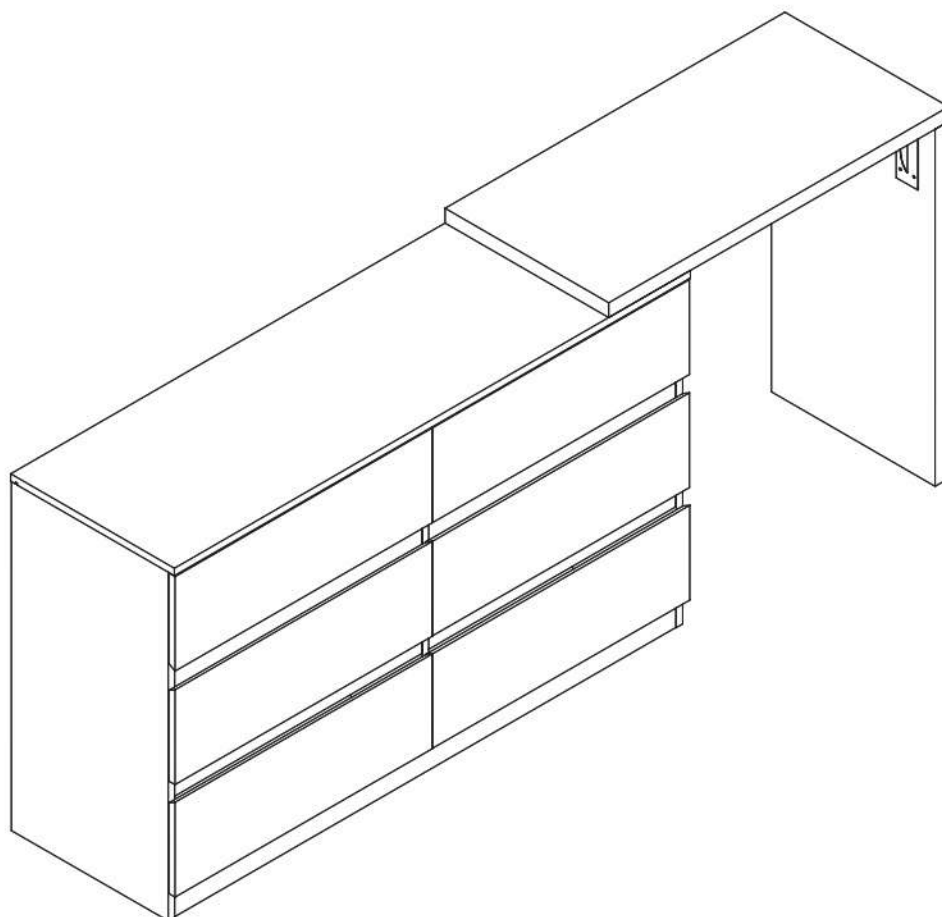
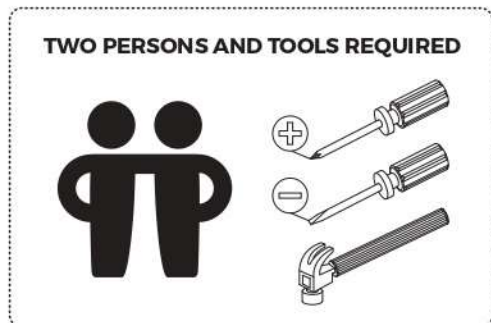


# ASSEMBLY INSTRUCTIONS

Please read the instructions carefully before assembly and keep it for future reference.



## CHEST OF DRAWERS

---

**Model :** COD-PURI-200  
**Version 1.0**

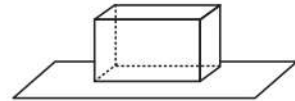
## Assembly and Maintenance Tips



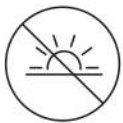
1. Keep children and pets away from the working area as small parts may cause choking if swallowed.



2. Some furniture may require two persons to assemble for safety reasons.



3. To protect the surfaces of the furniture, lay the parts and perform the assembly on top of a soft mat (such as a carpet or cardboard).



4. Keep the furniture away from direct sunlight to avoid fading.



5. Use a soft, damp cloth to clean or wipe surfaces.



6. Never use ammonia-based or abrasive cleaning products to clean as they may damage the finish.



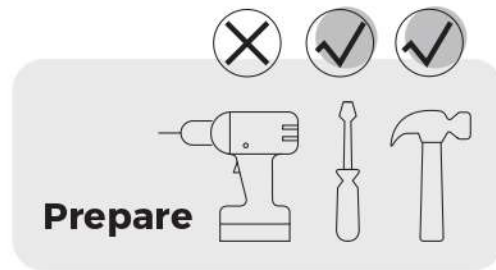
7. Do not place liquids or wet items on furniture as they may leave water marks/stains. Always use a coaster or runner to protect the furniture surface.

# Assembly Checklist



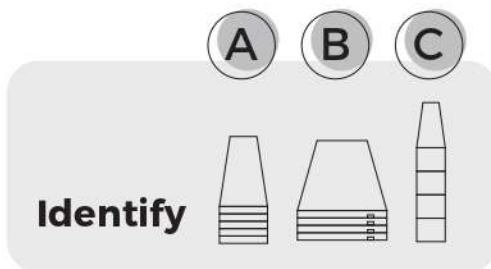
## Read

Read through the instructions carefully before you begin.



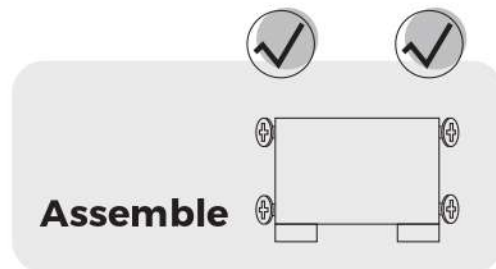
## Prepare

Make sure you have all the required tools. Never use power tools unless instructed.



## Identify

Identify and lay out all of the components before you begin assembly.



## Assemble







Please fully tighten all screws during the assembly process unless instructed not to do so.

## Helpful Information

- ! Never use power tools unless specifically instructed. They can damage your components or hardware if used incorrectly.
  - ! The most common mistakes made during assembly are using the wrong hardware or getting components back to front.
  - ! When assembling the product, it is recommended to do so on top of a soft surface such as a carpet or cardboard to avoid scratches and damages to the furniture surfaces.
  - ! Bulky items such as wardrobes should be assembled in the location when the assembled piece will be used to avoid moving them through doors or tight passages.
  - ! Never use any glue until you are certain that the parts belong together.
  - ! Periodically check that all connections are secured and follow all care and maintenance instructions stated.
  - ! If you encounter any assembly difficulties or missing components and/or hardware, please contact our Customer Support for further assistance.
-

# Hardware List

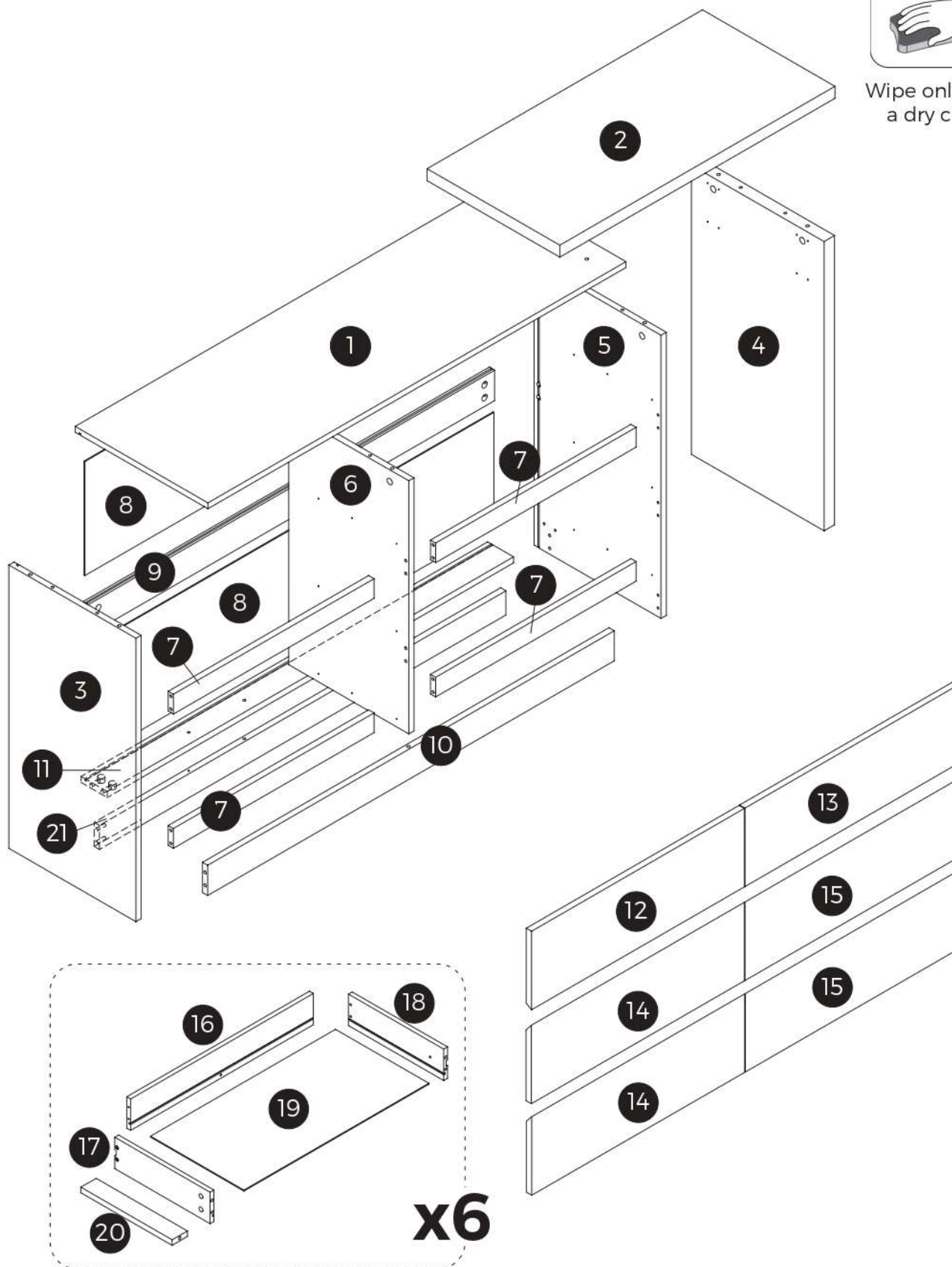
Please ensure that all parts and hardware are in the packaging contents. If there are any missing parts and/or hardware, please contact our Customer Support as soon as possible.

<p><b>Part A</b> 59pcs 7x35mm</p> 	<p><b>Part B</b> 59pcs 15x9.3mm</p> 	<p><b>Part C</b> 18pcs Ø6x30mm</p> 	<p><b>Part D</b> 36pcs M4x40mm</p> 
<p><b>Part E</b> 2pcs Ø6x50mm</p> 	<p><b>Part F</b> 2pcs M6x30mm</p> 	<p><b>Part G</b> 18pcs M4x14mm</p> 	<p><b>Part H</b> 72pcs M3x12mm</p> 
<p><b>Part I</b> 2pcs</p> 	<p><b>Part J</b> 2pcs M4x30mm</p> 	<p><b>Part K</b> 8pcs 15mm</p> 	<p><b>Part L</b> 2pcs</p> 
<p><b>Part M</b> 28pcs M3x14mm</p> 	<p><b>Part N</b> 2pcs</p> 	<p><b>Part CL</b> 6pcs 12 inch</p> 	<p><b>Part CR</b> 6pcs 12 inch</p> 
<p><b>Part DL</b> 6pcs 12 inch</p> 	<p><b>Part DR</b> 6pcs 12 inch</p> 	<p><b>Part O</b> 1pc 4mm</p> 	<p><b>Part P</b> 2pc 21mm</p> 

# Parts List



Wipe only with a dry cloth

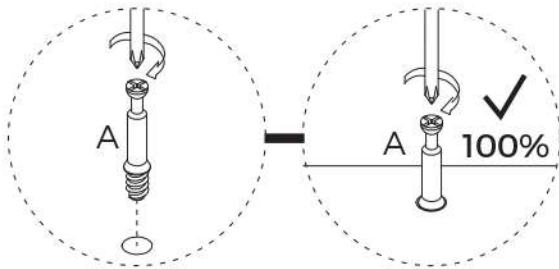
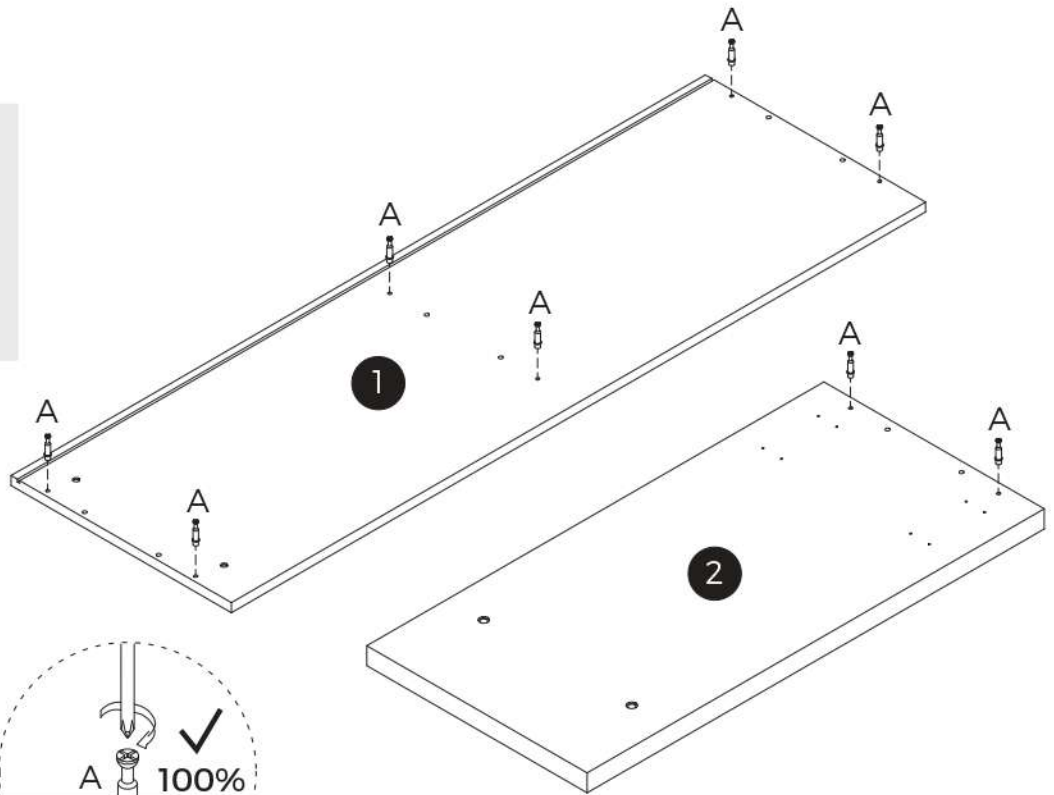


# STEP 1

## Part A

8pcs

7x35mm



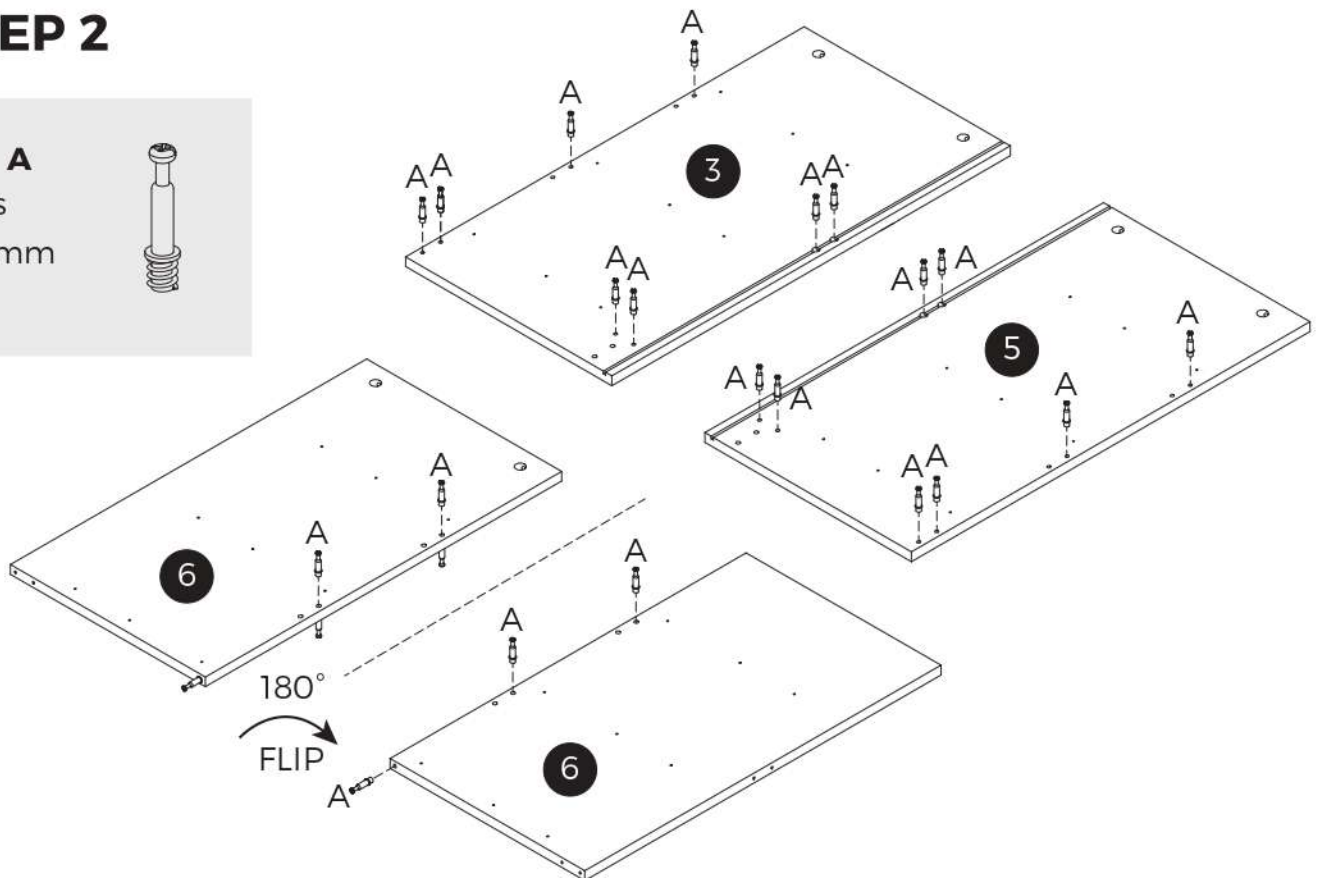
Tighten Part A fully

# STEP 2

## Part A

21pcs

7x35mm



## STEP 3

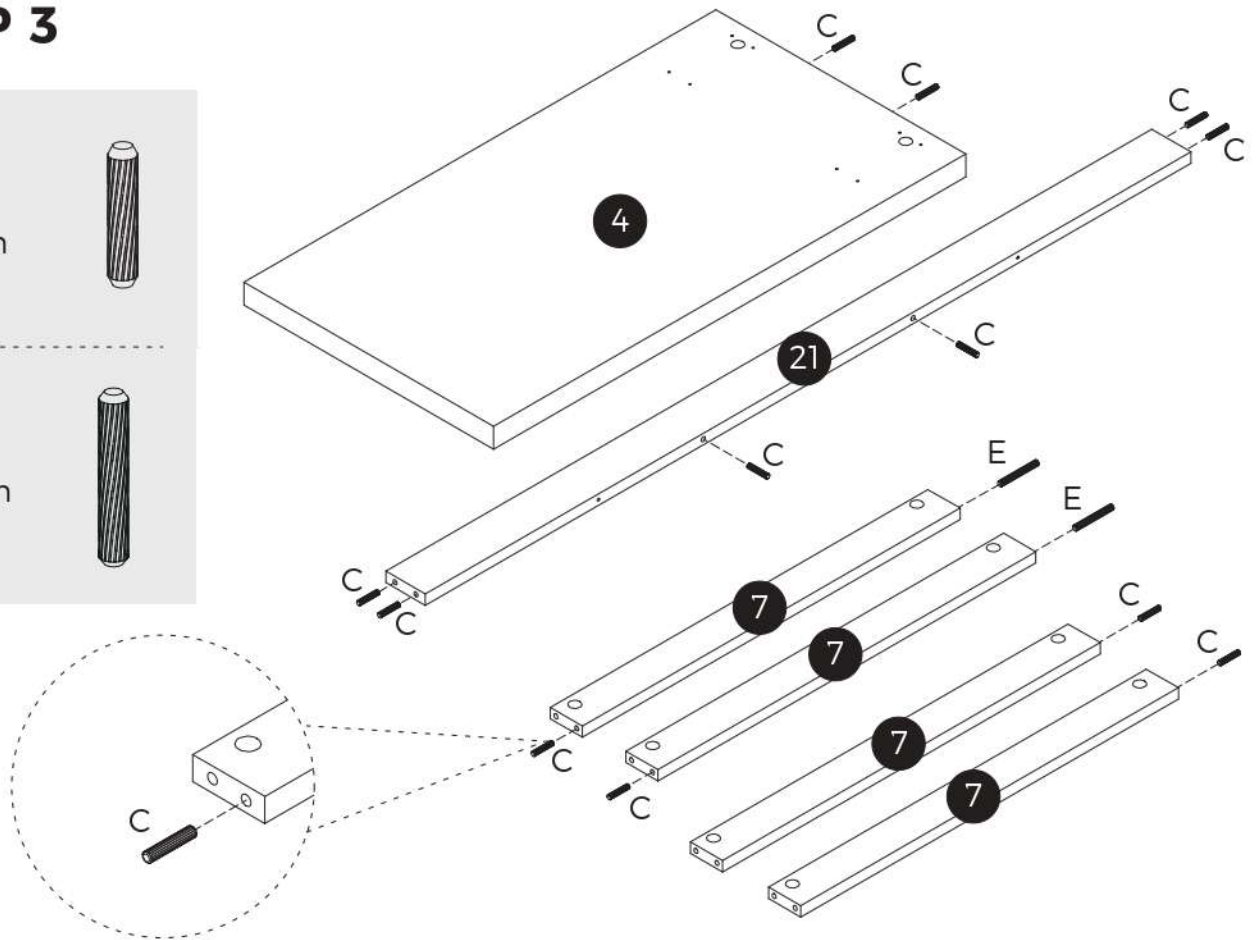
### Part C

12pcs  
6x30mm



### Part E

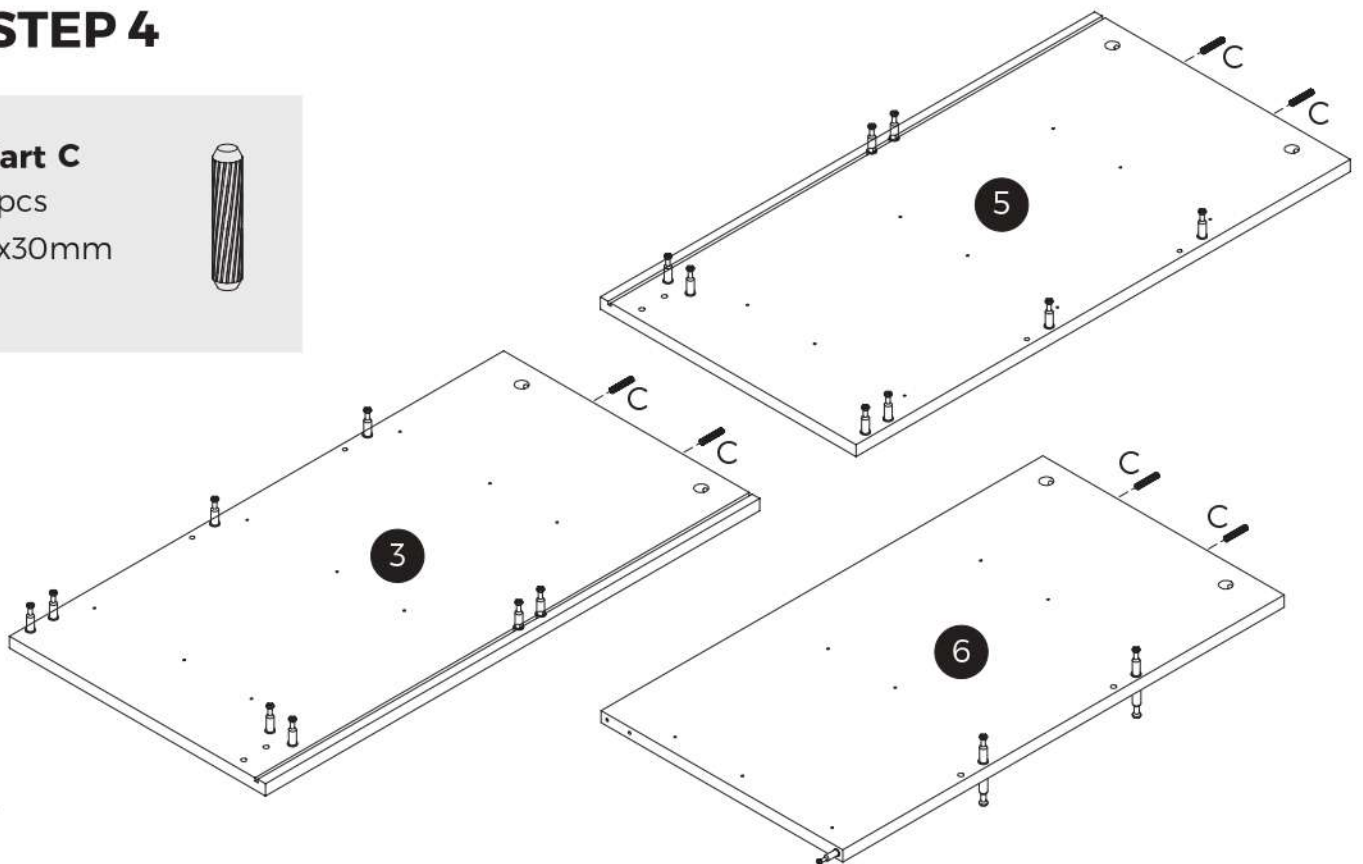
2pcs  
6x50mm



## STEP 4

### Part C

6pcs  
6x30mm



# STEP 5

## Part CL

3pcs  
12 inch



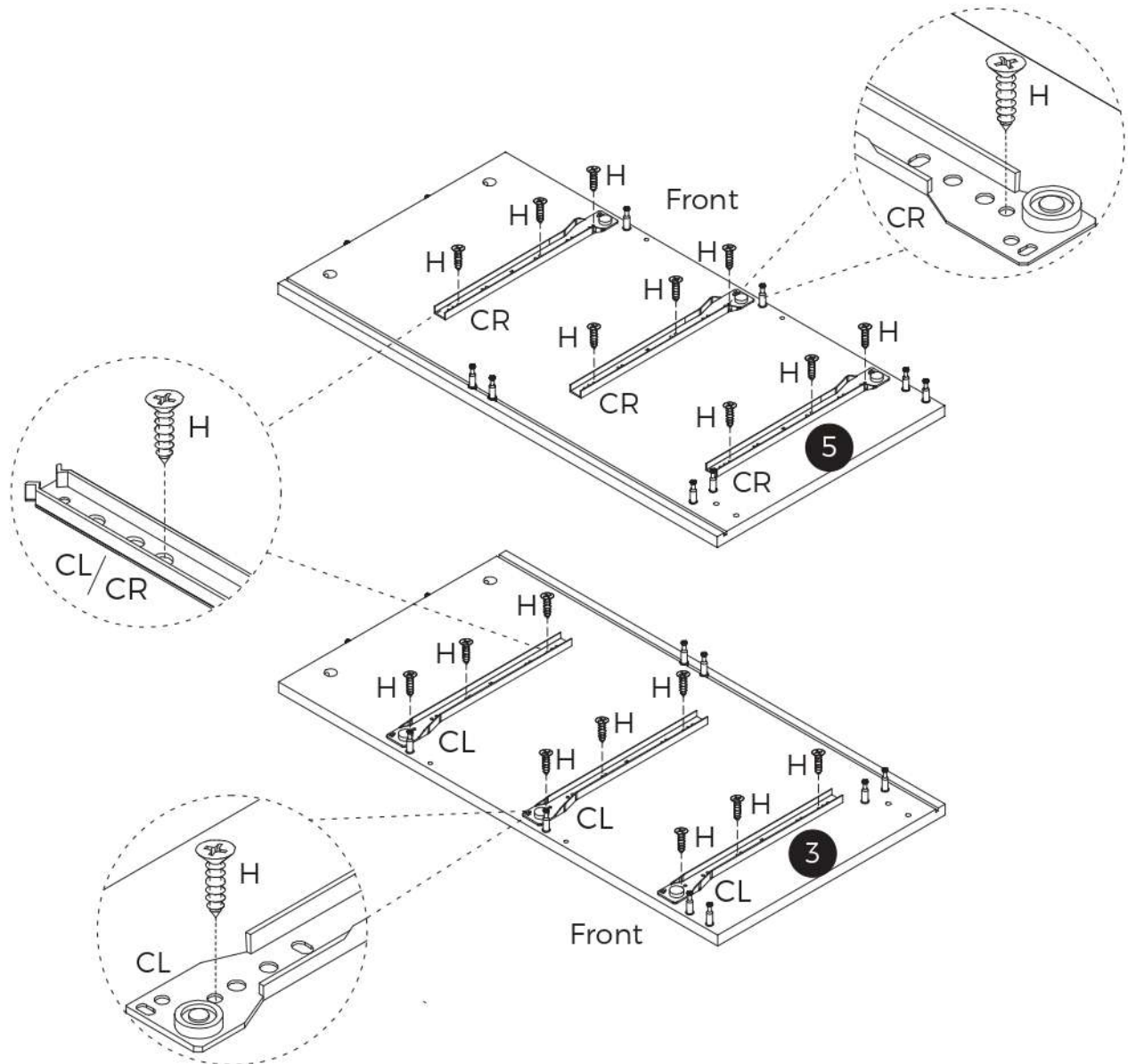
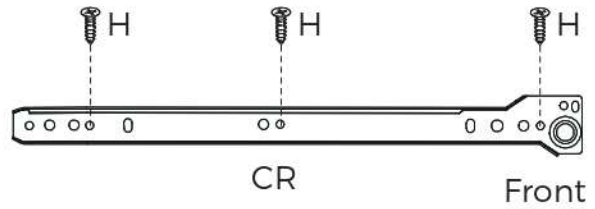
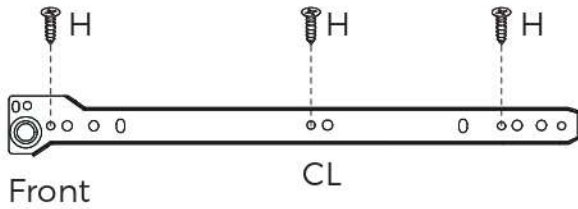
## Part CR

3pcs  
12 inch



## Part H

18pcs  
M3x12mm



# STEP 6

## Part CL

3pcs  
12 inch



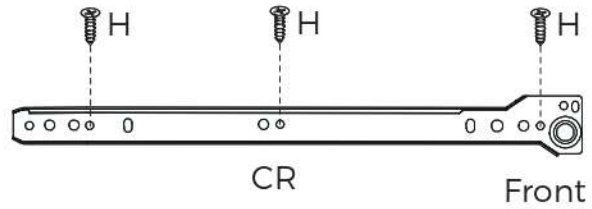
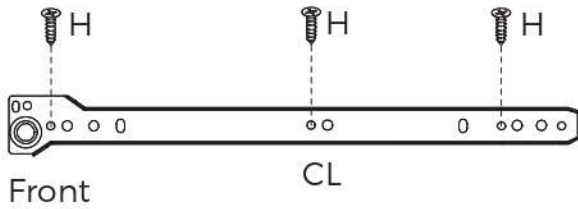
## Part CR

3pcs  
12 inch



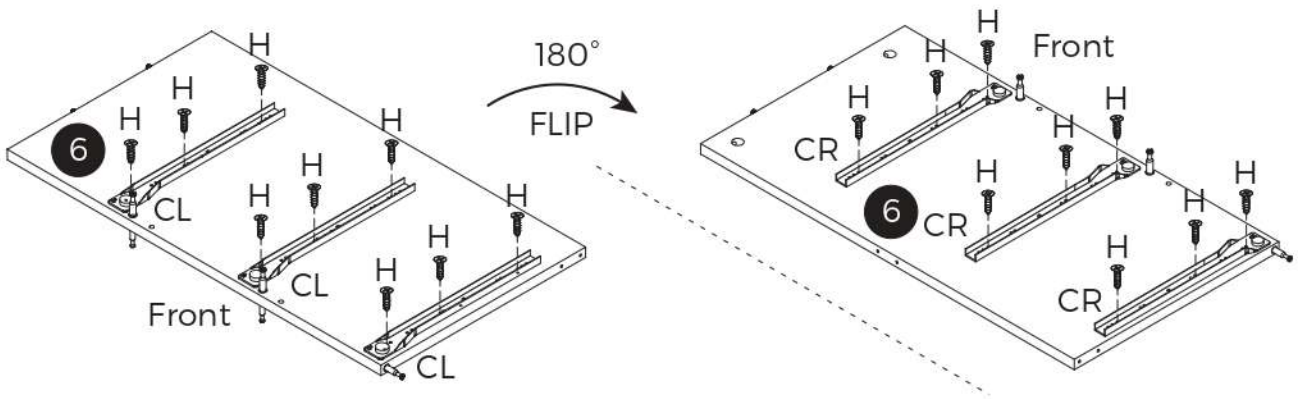
## Part H

18pcs  
M3x12mm



### NOTE

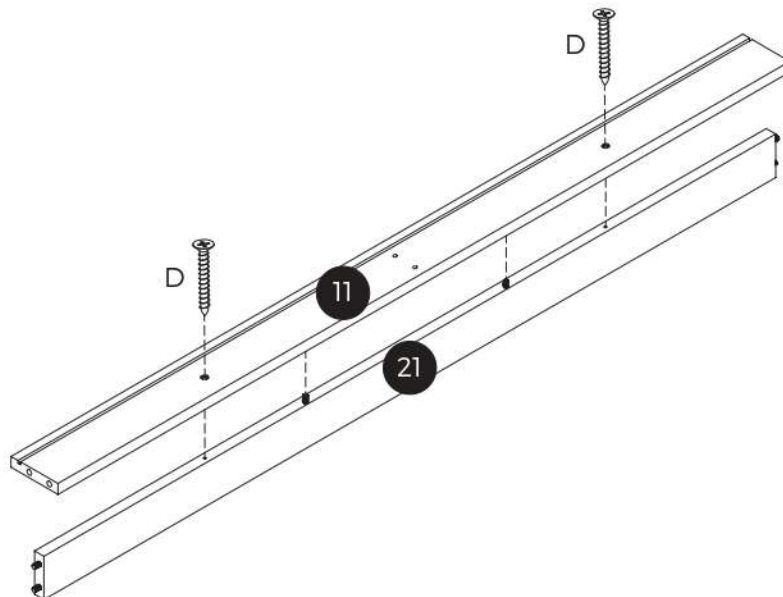
Take note of the correct facings of Part 6 with Part CL/CR before installing Part H.



# STEP 7

## Part D

2pcs  
M4x40mm



## STEP 8

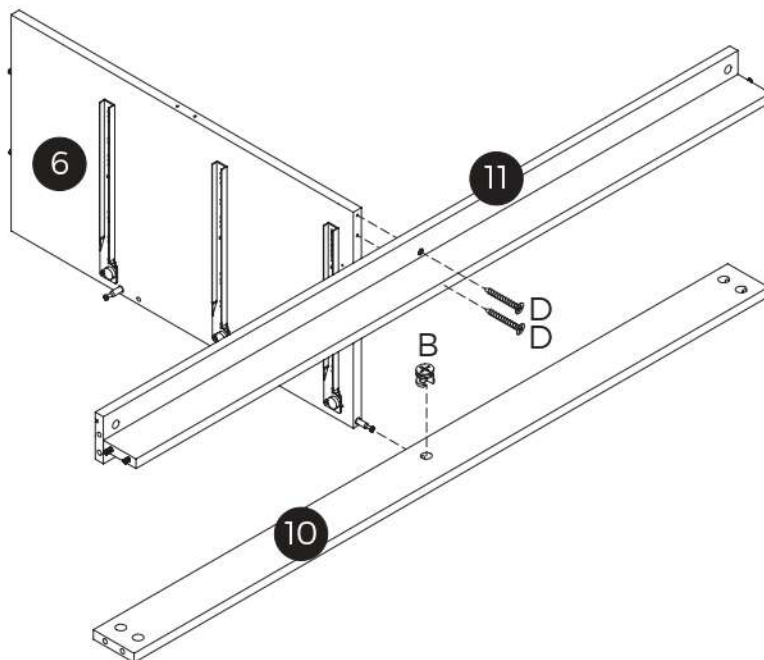
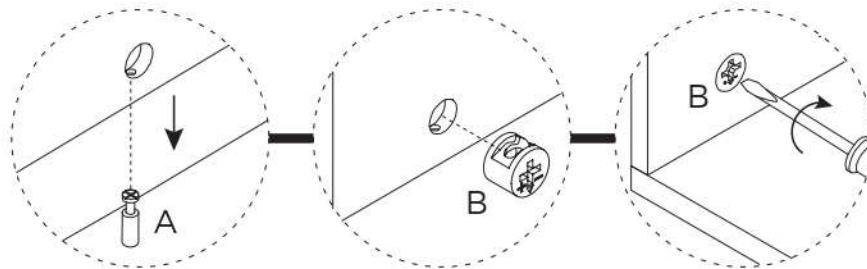
### Part B

1pc  
15x9.3mm



### Part D

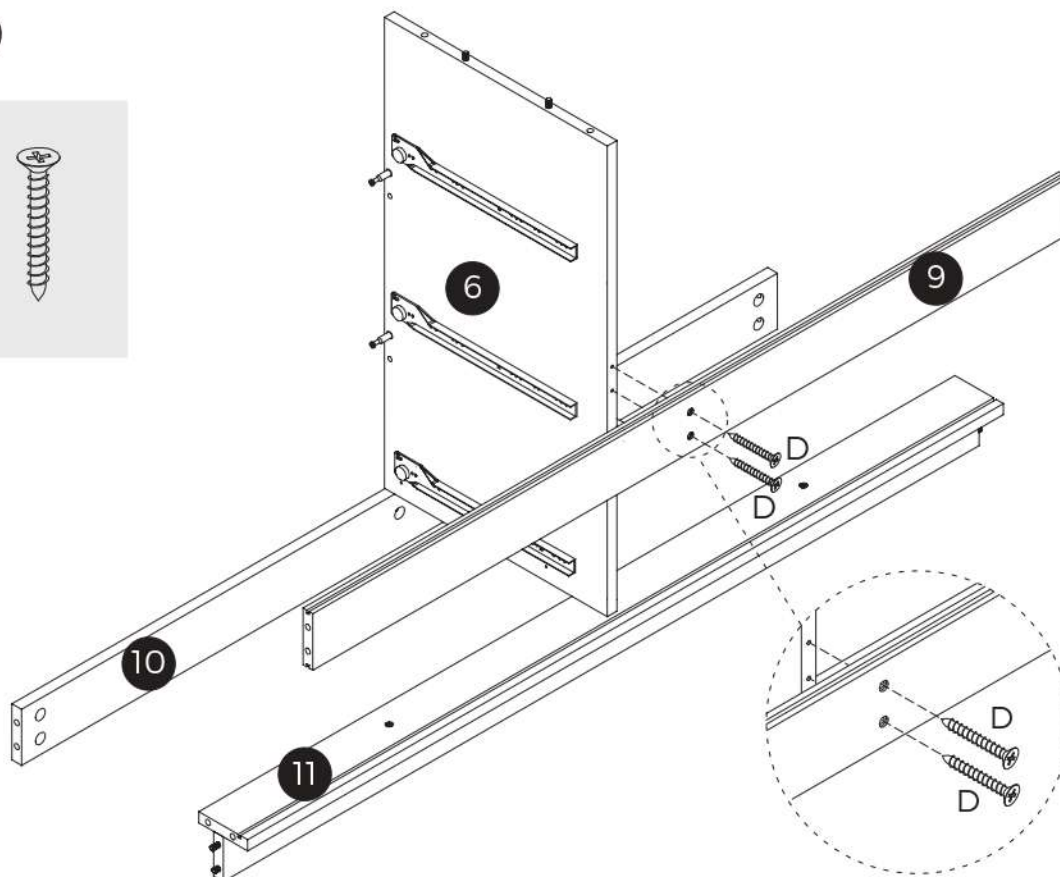
2pcs  
M4x40mm



## STEP 9

### Part D

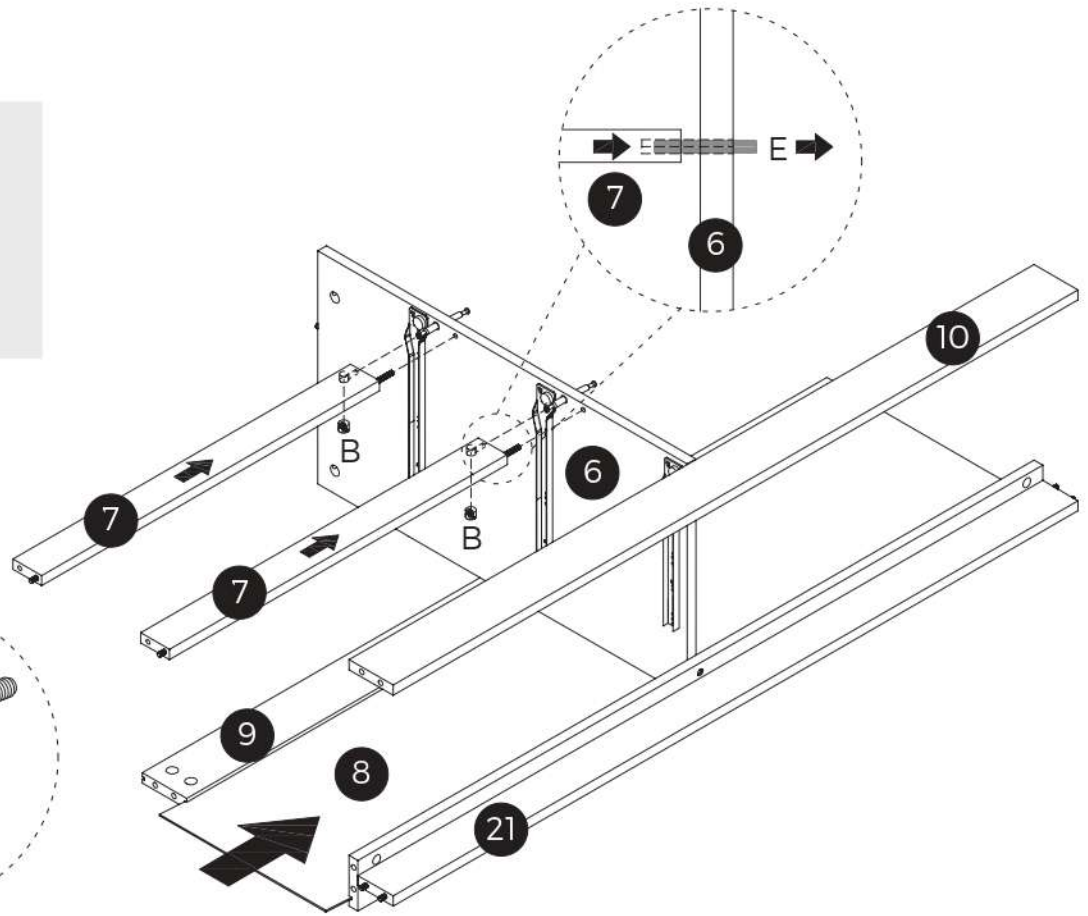
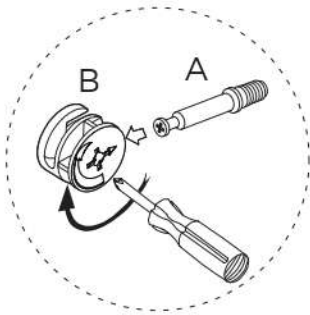
2pcs  
M4x40mm



## STEP 10

### Part B

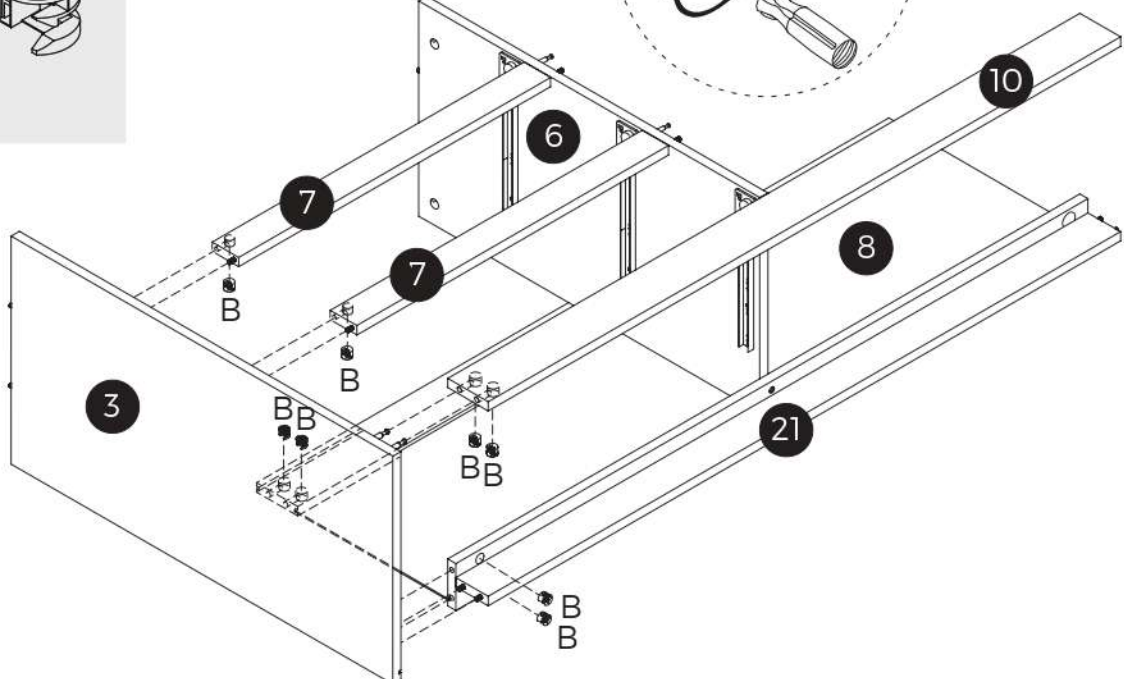
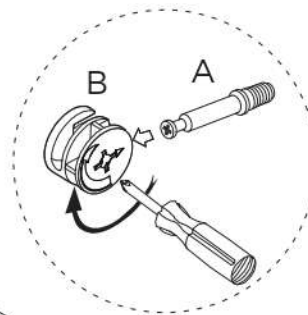
2pcs  
15x9.3mm



## STEP 11

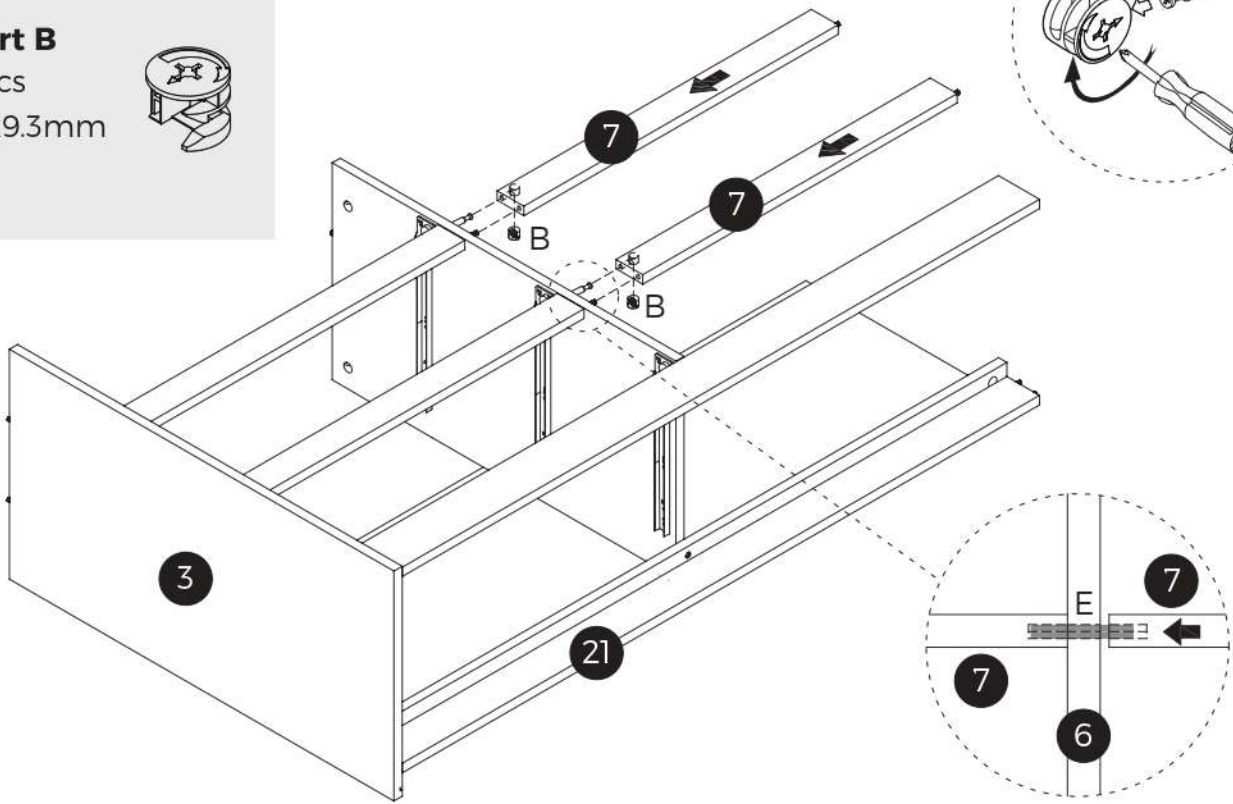
### Part B

8pcs  
15x9.3mm



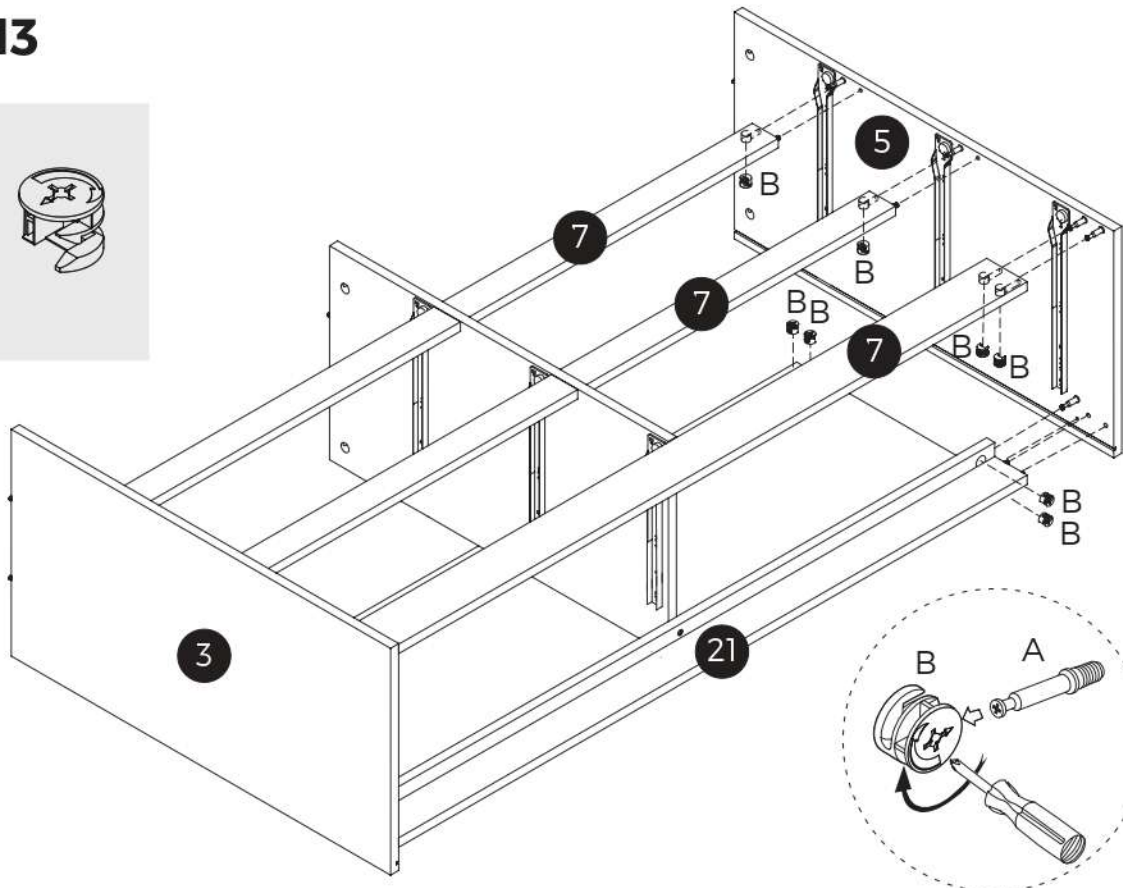
## STEP 12

**Part B**  
2 pcs  
15x9.3mm



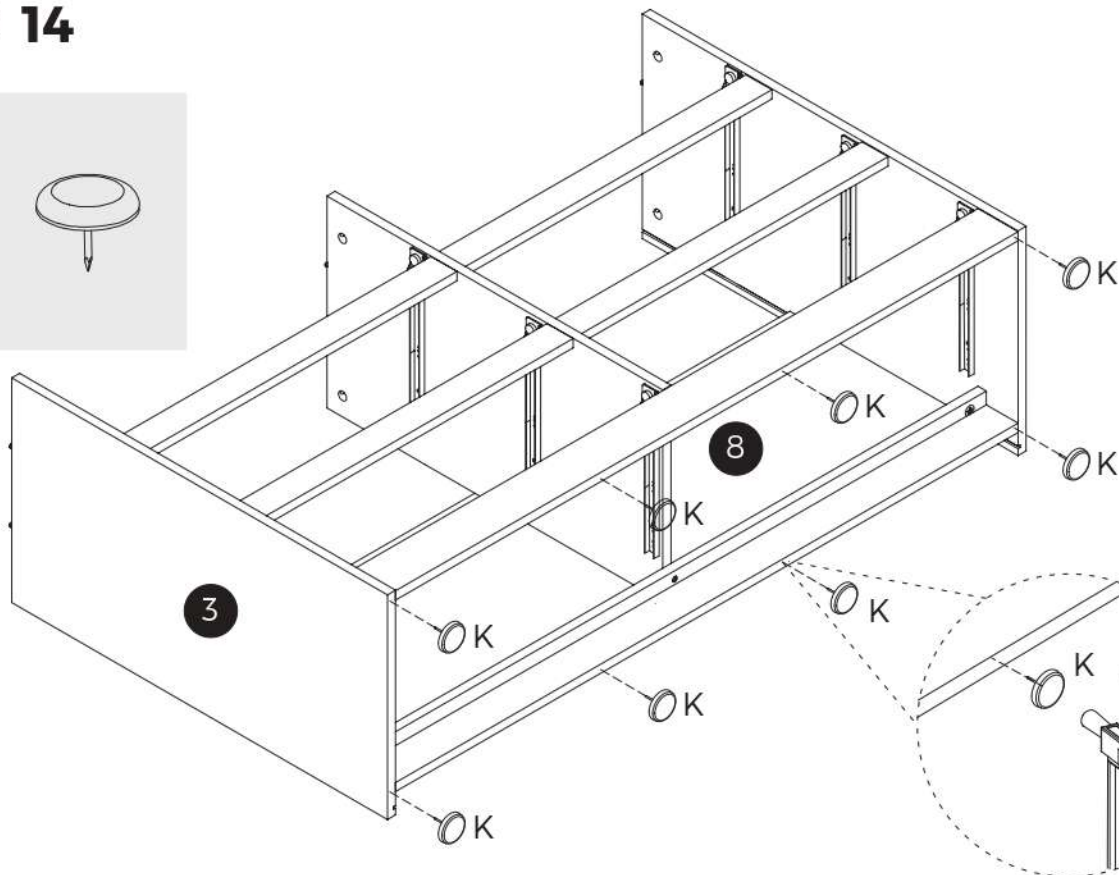
## STEP 13

**Part B**  
8 pcs  
15x9.3mm



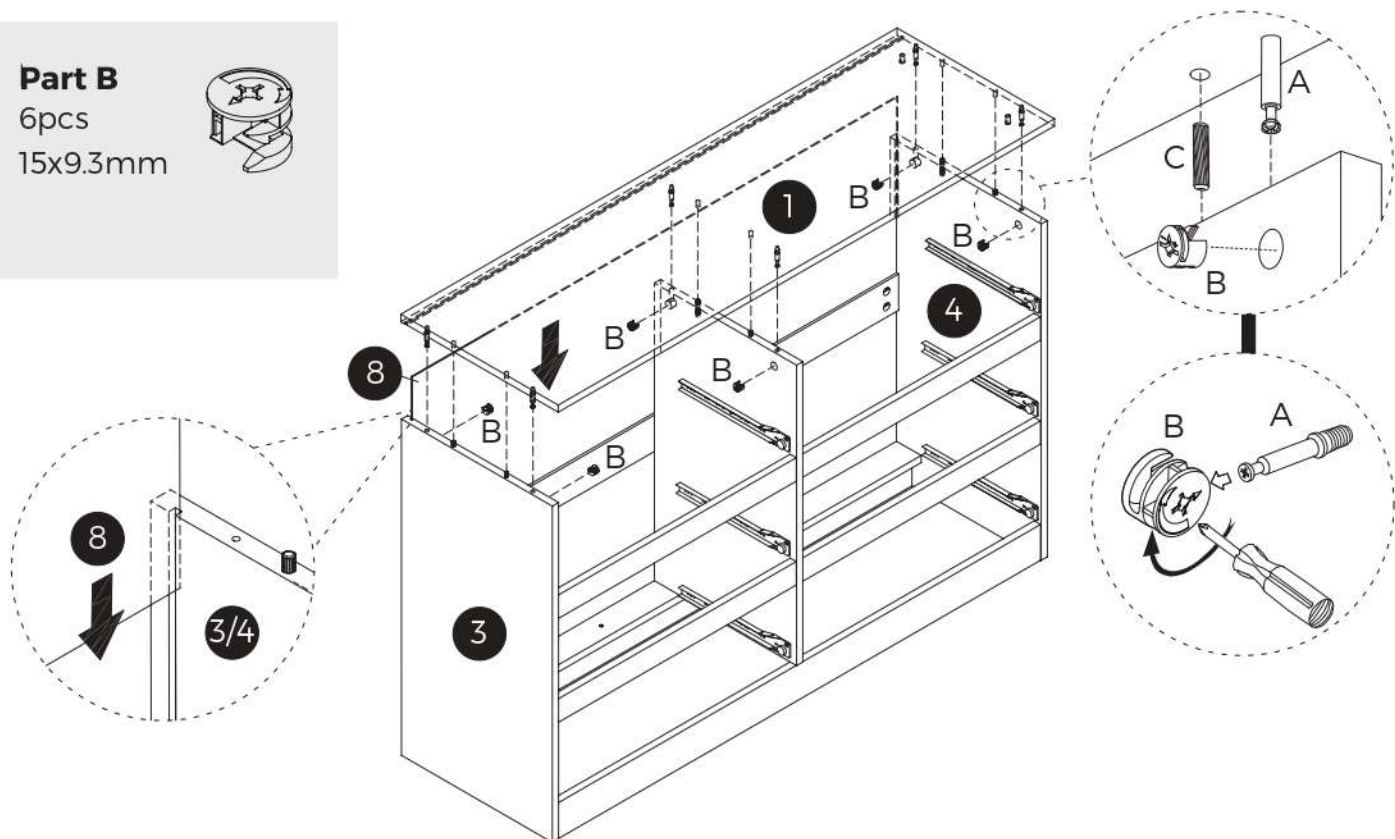
## STEP 14

**Part K**  
8pcs  
15mm



## STEP 15

**Part B**  
6pcs  
15x9.3mm



# STEP 16

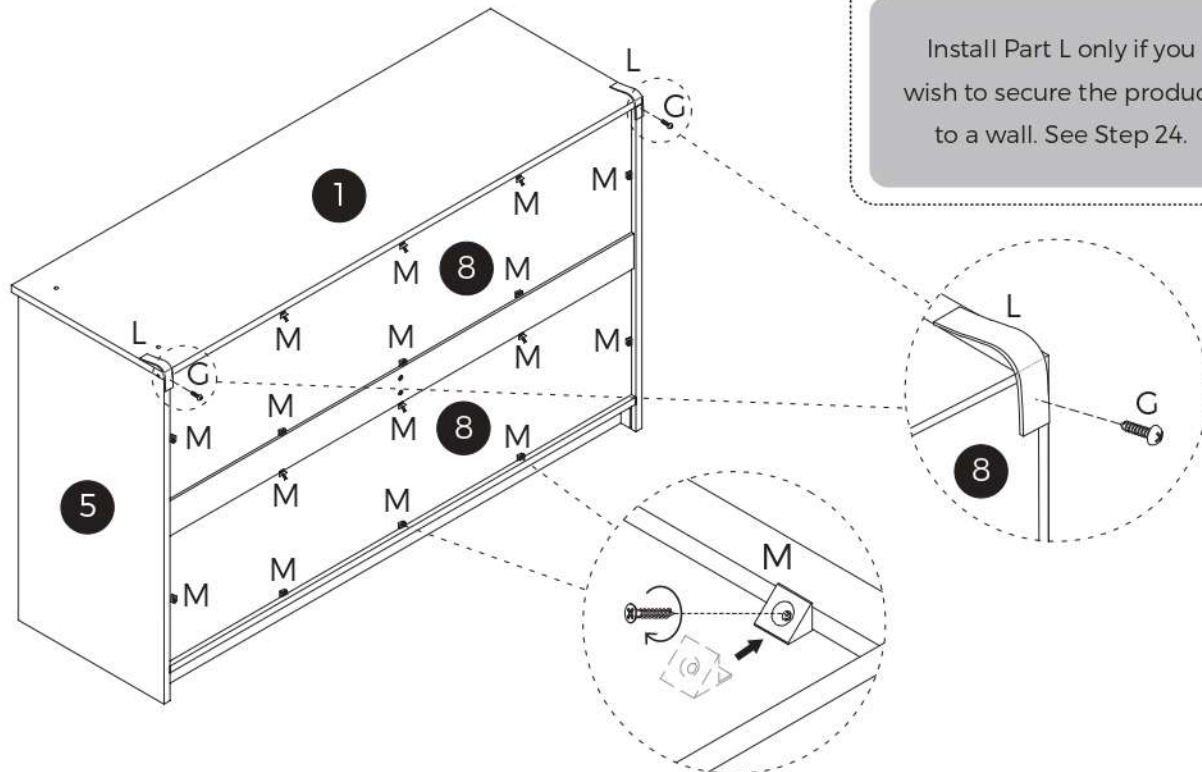
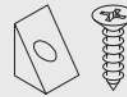
**Part L**  
2pcs



**Part G**  
2pcs  
M4x14mm



**Part M**  
16pcs  
M3x14mm

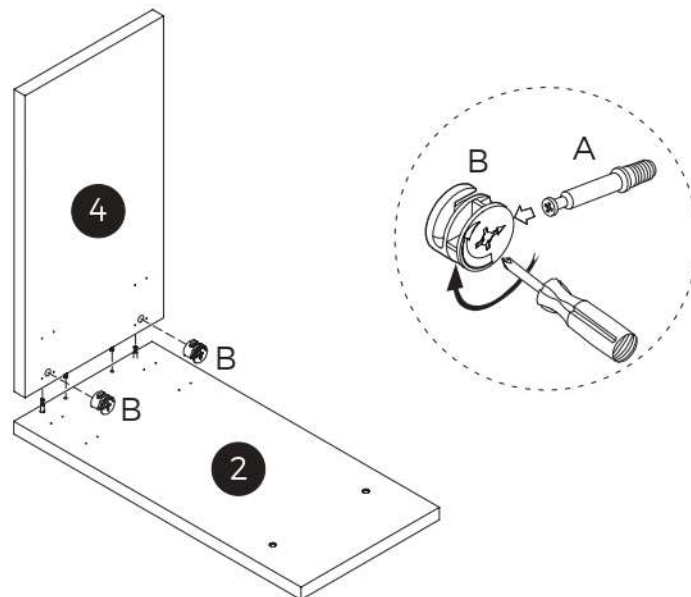


## OPTIONAL

Install Part L only if you wish to secure the product to a wall. See Step 24.

# STEP 17

**Part B**  
2pcs  
15x9.3mm



# STEP 18

## Part P

2pcs  
21mm



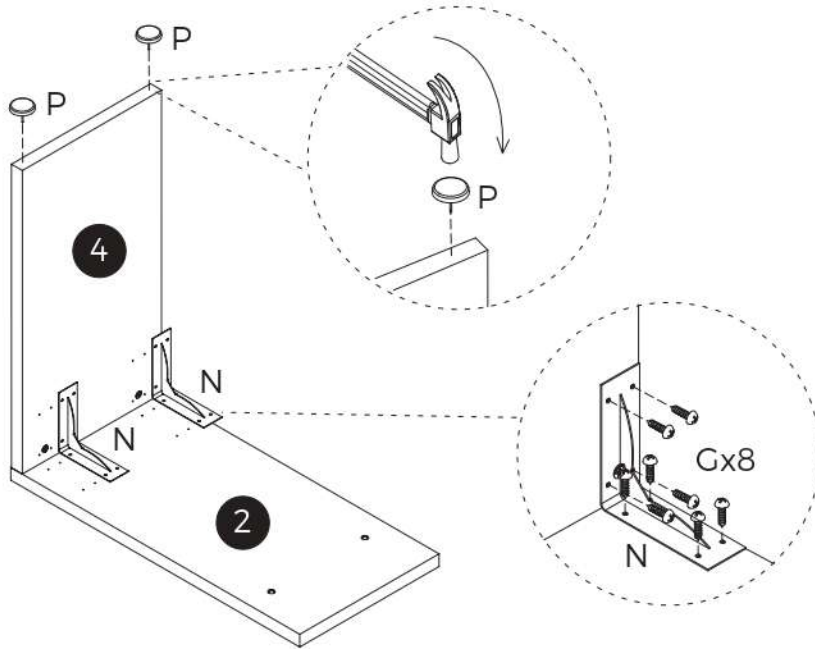
## Part N

2pcs



## Part G

16pcs  
M4x14mm



# STEP 19

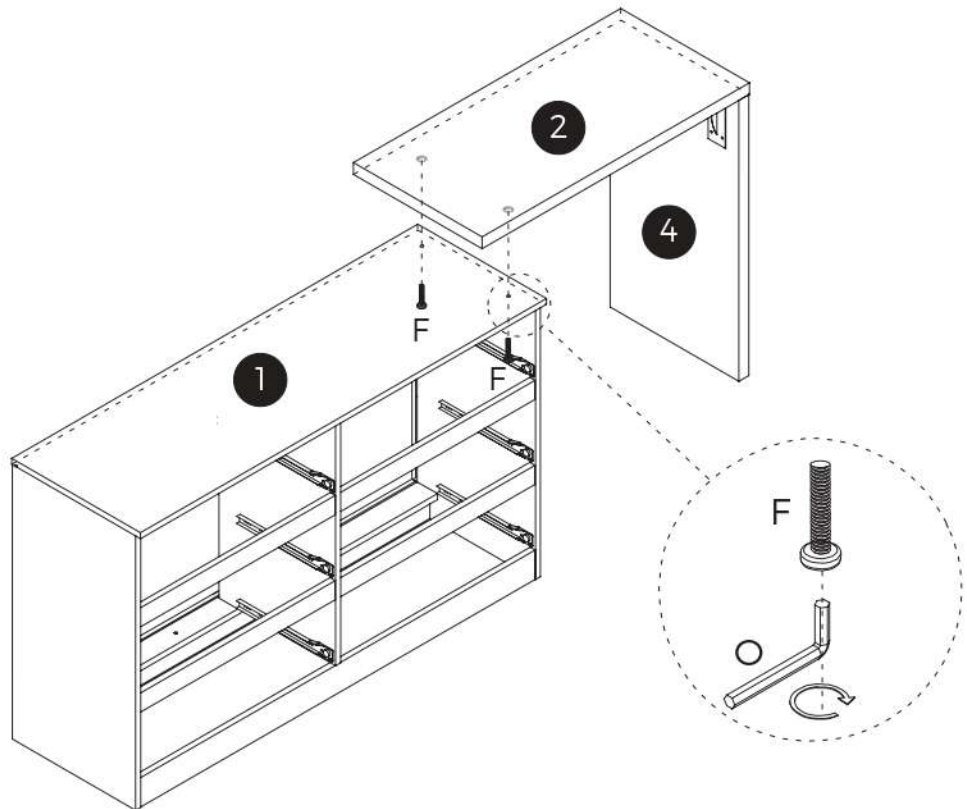
## Part O

1pc  
4mm



## Part F

2pcs  
M6x30mm



# STEP 20

## Part A

10pcs  
7x35mm



## Part B

10pcs  
15x9.3mm



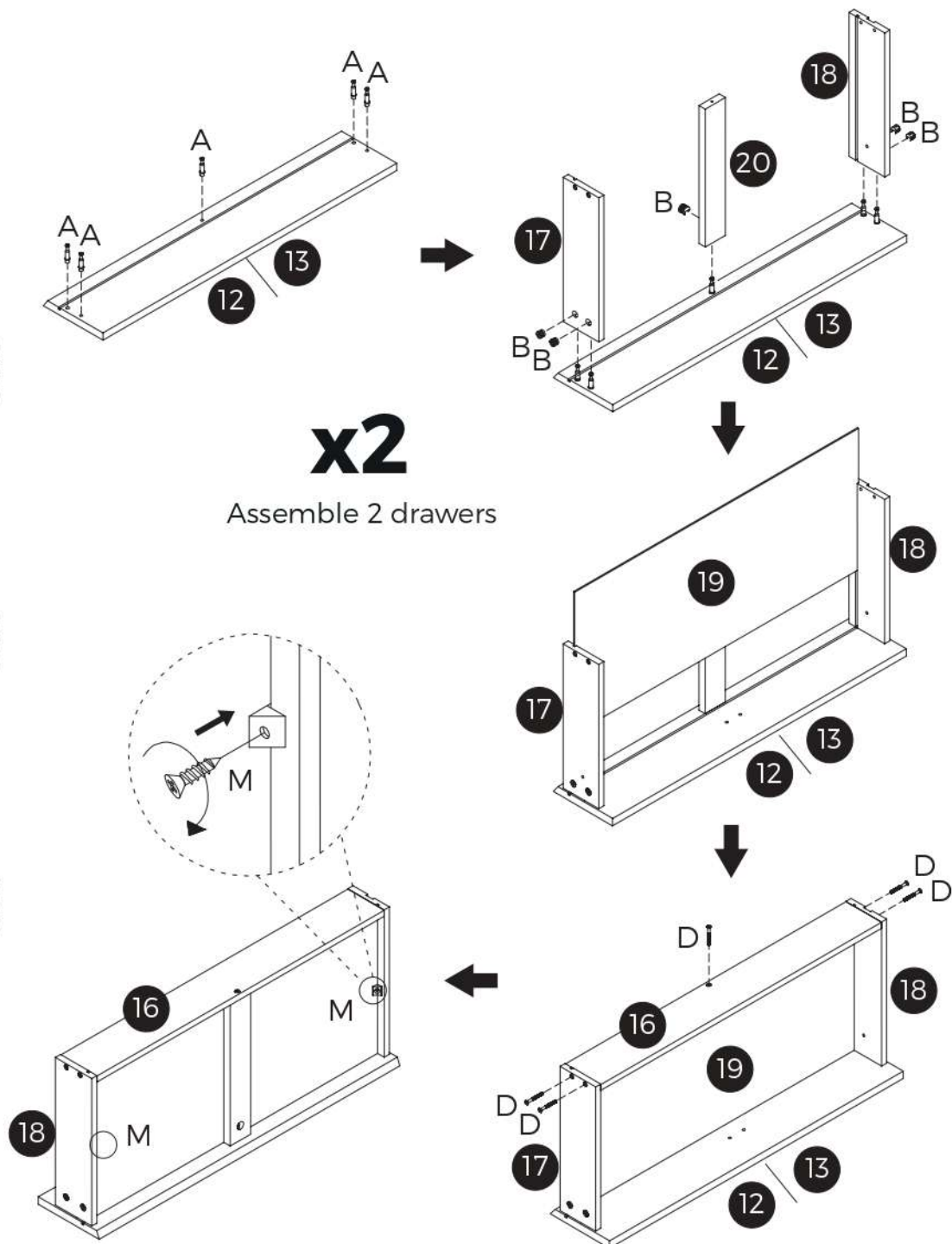
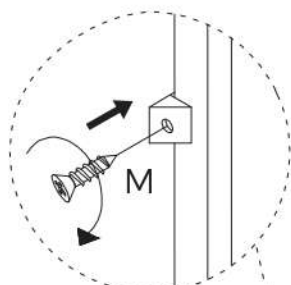
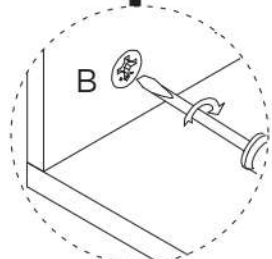
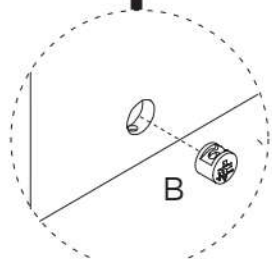
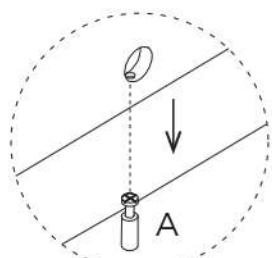
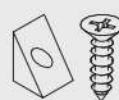
## Part D

10pcs  
M4x40mm



## Part M

4pcs  
M3x14mm



# STEP 21

**Part A**  
20pcs  
7x35mm



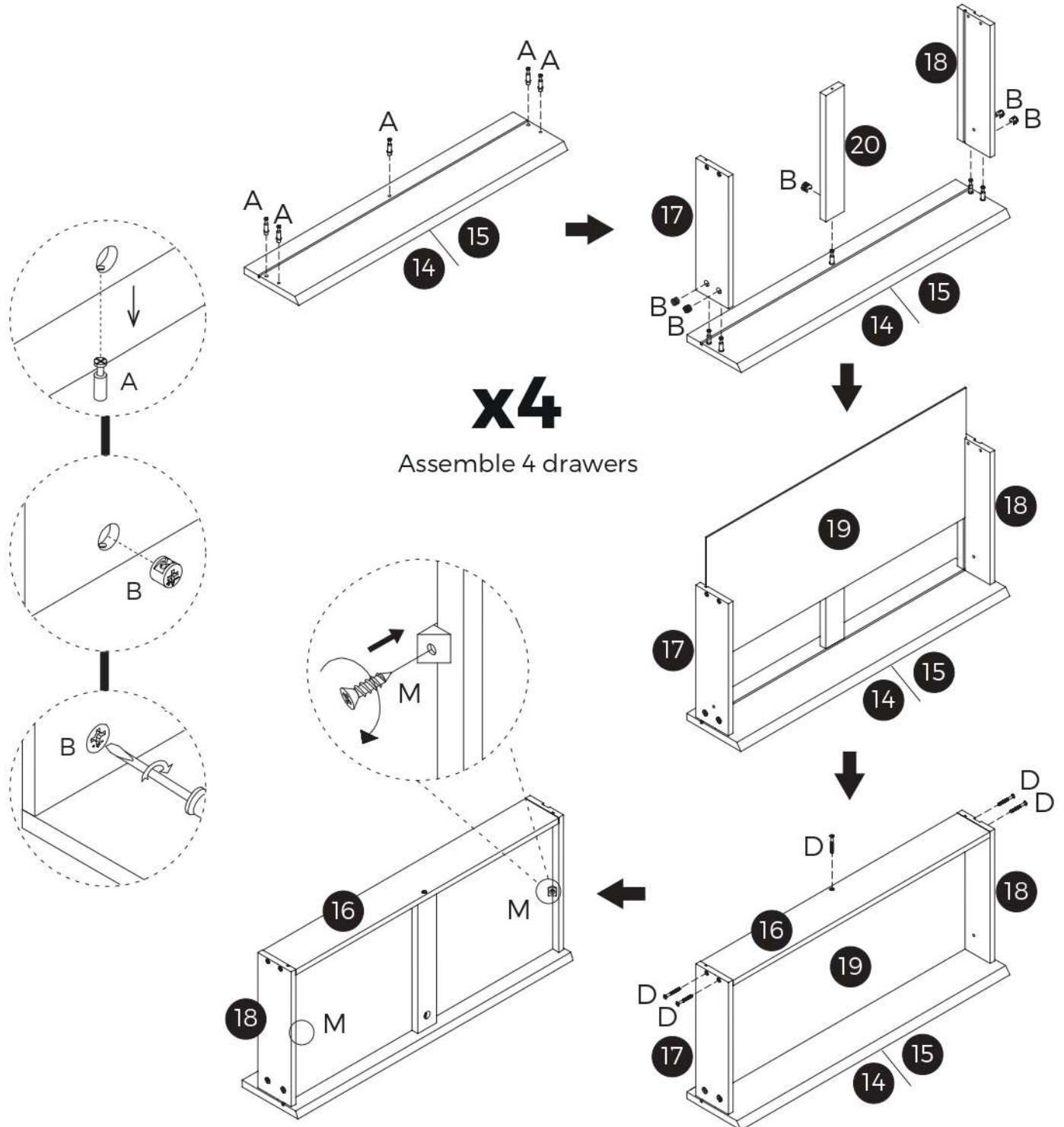
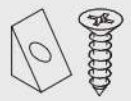
**Part B**  
20pcs  
15x9.3mm



**Part D**  
20pcs  
M4x40mm



**Part M**  
8pcs  
M3x14mm



# STEP 22

## Part DL

6pcs  
12 inch



## Part DR

6pcs  
12 inch



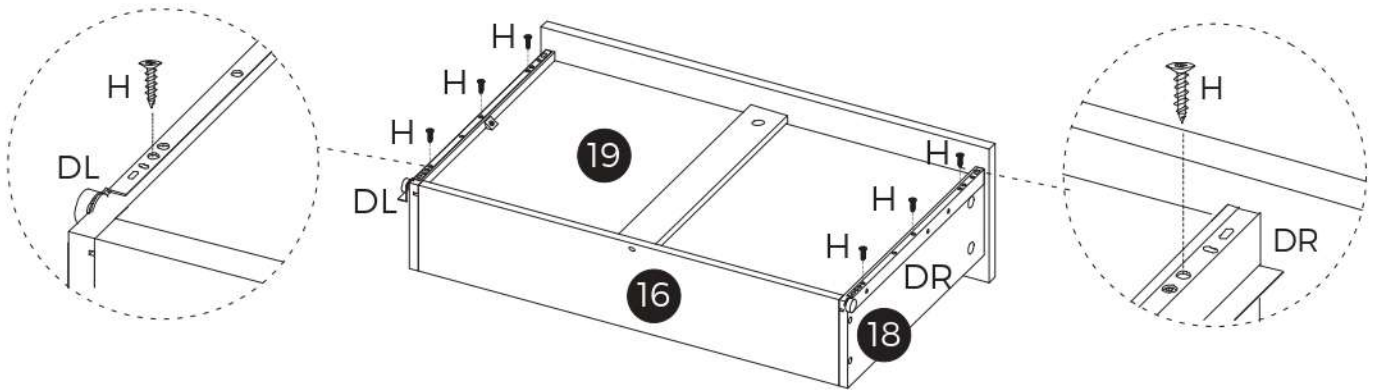
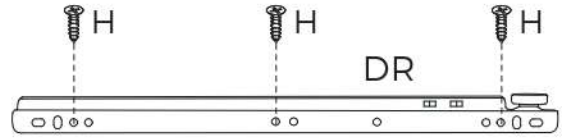
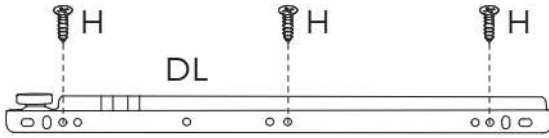
## Part H

36pcs  
M3x12mm



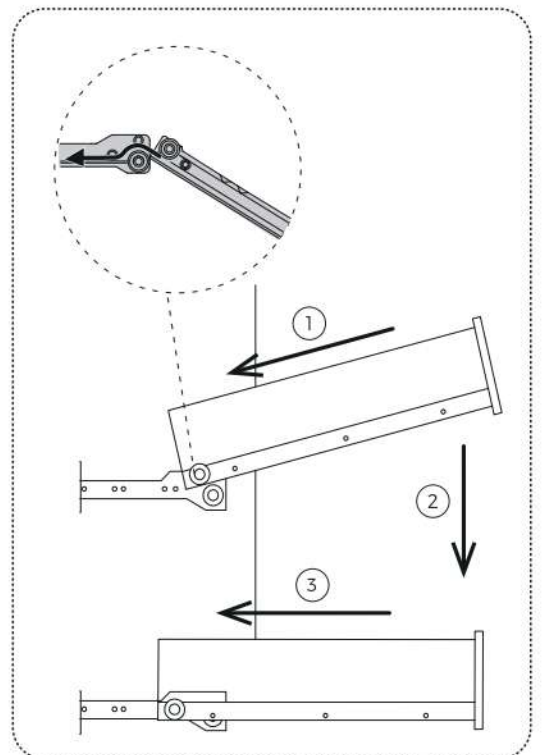
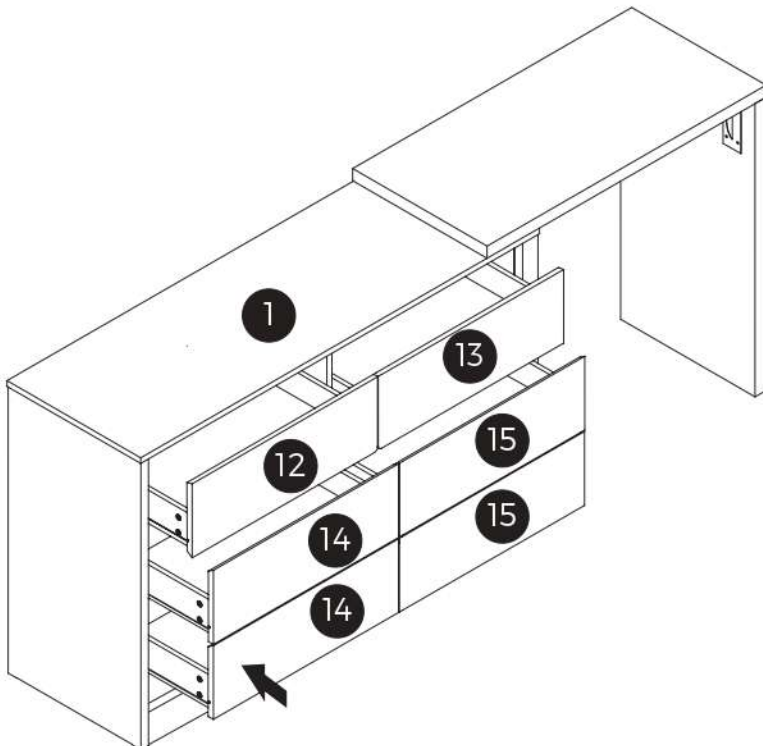
# x6

Assemble 6 sets



# STEP 23

## DRAWER INSTALLATION GUIDE



# STEP 24

## Part J

2pcs

M4x30mm



## Part I

2pcs

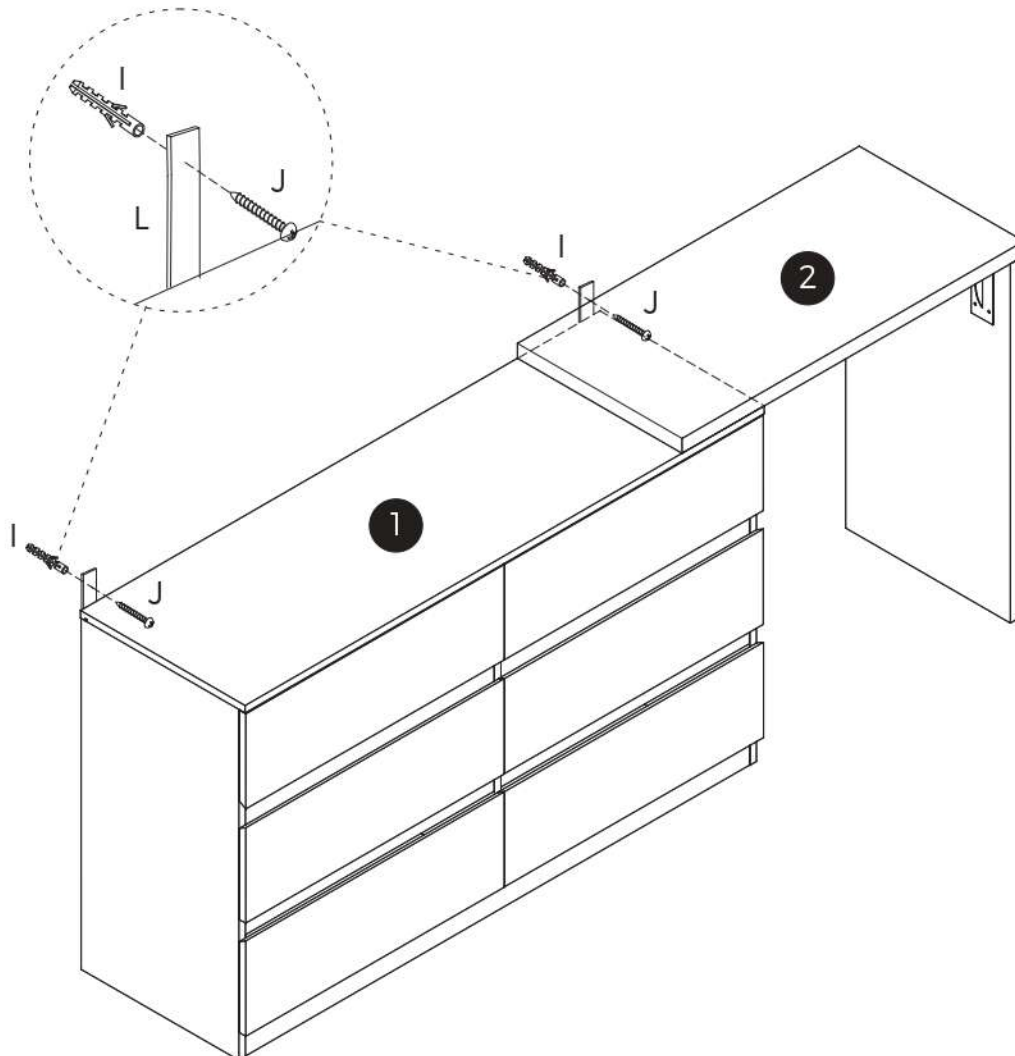


### OPTIONAL •

Do this step only if you wish to secure the product to a wall. It is highly recommended that you do so for safety reasons.



Pre-drill holes in the wall



# CARE AND MAINTENANCE

## GENERAL

- Periodically check all screws, bolts and joints connections and tighten them if necessary.
- Periodically check for any damage and deteriorated parts and components and seek repairs or replacements if needed.
- Do not allow any liquids to remain on the furniture as this may cause stains and allow the liquid to be absorbed into the finishes and materials. In some cases, this may also cause warping and/or cracking of the materials and finishes. Use coasters and placemats for all food and beverages.
- Do not place hot items, such as dishes, pots and cups, directly on the furniture. Use coasters and placemats for all food and beverages.
- Keep sharp and pointed objects away from furniture to avoid damaging the surface and finish.
- Do not place the furniture near hot objects, heating vents or heating equipment.
- Do not place the furniture in moist areas, such as bathrooms, to avoid water damage.

## CLEANING AND CARE

- Dust the furniture regularly using a soft cloth or microfibre duster to prevent dust build-up
- Only wipe and clean with a soft, damp cloth with a mild cleaning detergent.
- Do not use abrasive cleaning materials such as scouring pads and chemical cleaning solvents to avoid damage to finishes and paintwork.
- After using or cleaning a glass table top, wipe it completely dry as leaving the glass unattended when wet may leave water marks that cannot be removed easily.
- For upholstery, vacuum regularly with a soft, non-metallic brush to remove dust and grime and to prevent overall soiling. Follow manufacturer's instructions for spot cleaning.
- If removable, wash upholstery covers periodically. If machine washable, use a cold wash cycle.
- Do not use a dryer. Only air dry the upholstery covers.

## ENVIRONMENTAL

- Do not expose the furniture (including outdoor furniture) to direct sunlight. Protect your outdoor furniture with weather-resistant covers, and have curtains and blinds to shield indoor furniture if direct sunlight is unavoidable.
- Bamboo, rattan as well as wood-based furniture are prone to damage and fade with prolonged exposure to extremely high or low humidity conditions. Do not place them in such extreme conditions.
- For outdoor bamboo/rattan furniture, do not place the furniture in shady or moist areas to prevent it from moulding. Bring the furniture indoors during the off season or covered it with weather-resistant covers.

## HANDLING

- Do not drag, push or pull furniture when moving them. Lift them up to avoid damage to the furniture legs and scratches on floors.
- Do not sit or stand on the armrests or use the furniture as a stepping stool for safety reasons.
- Do not exceed the recommended weight capacities of the furniture specified.
- Do not use the furniture for any other purpose other than what is intended for.

## STORAGE

- Store furniture in a clean, dry environment when not in use.
- If possible, disassemble furniture before storing to save space and prevent damage during transportation.