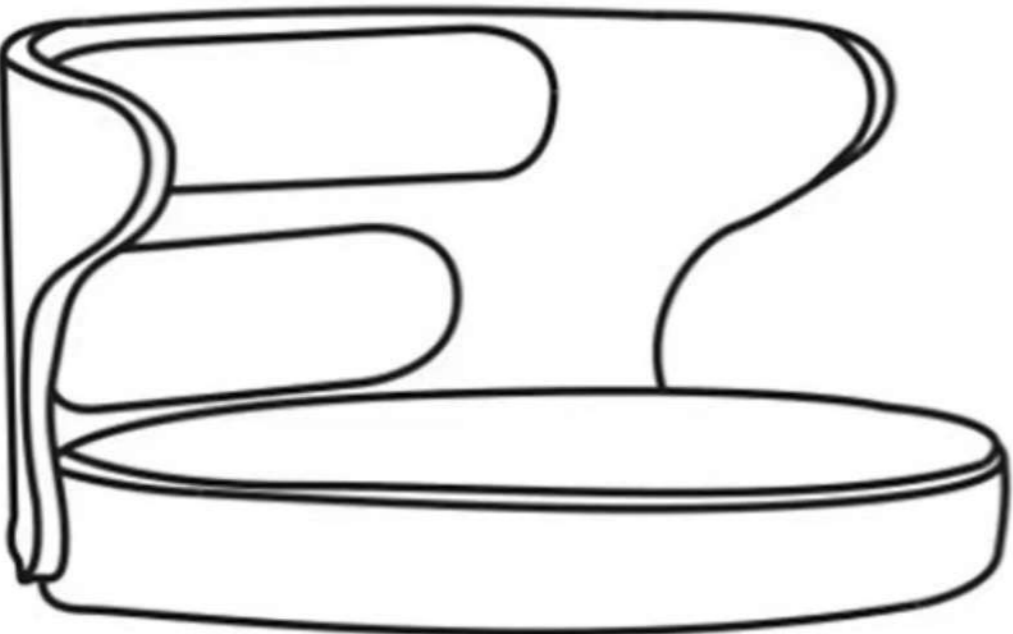
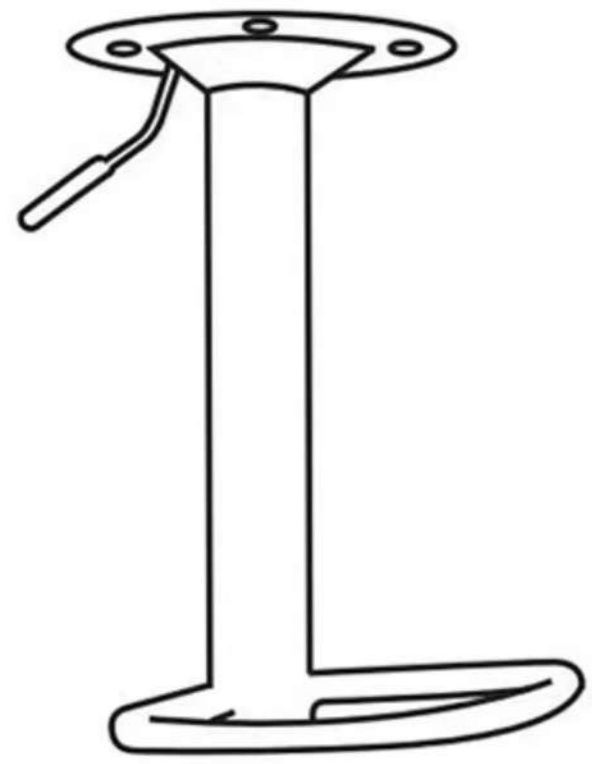







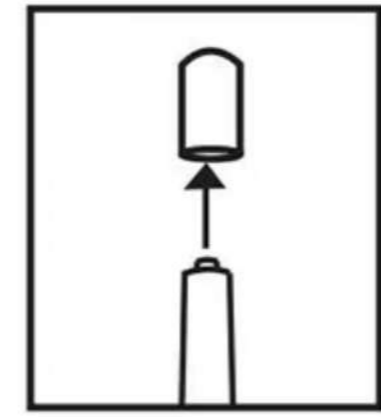
BAR STOOL

MODEL: BS-AIC-JAK

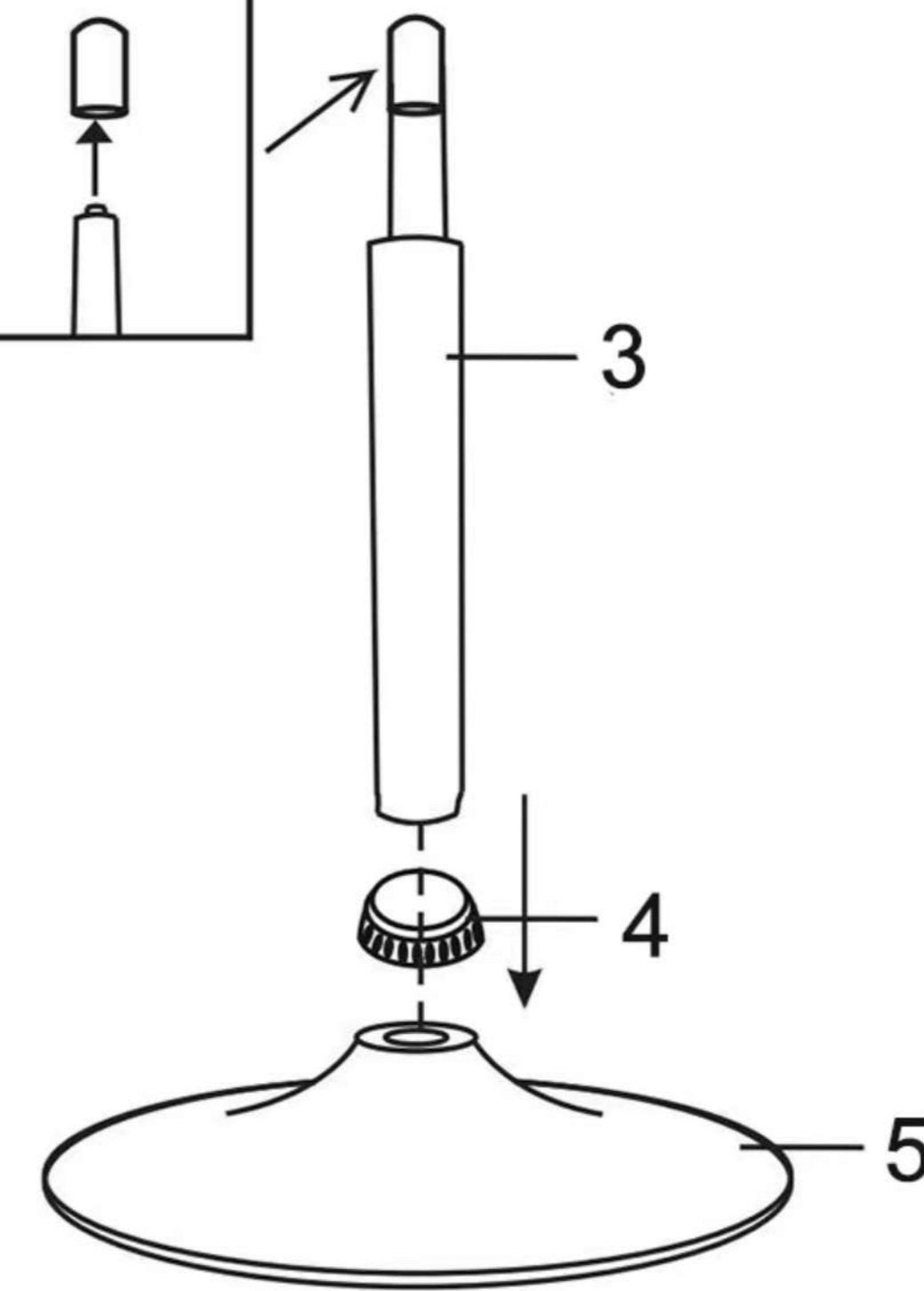
ASSEMBLY INSTRUCTIONS

1 x1pc	
	
2 x1pc	3 x1pc
	
5 x1pc	
	
4 x1pc	6 x4pcs
	 M6x16mm
	7 x1pc
	 M6

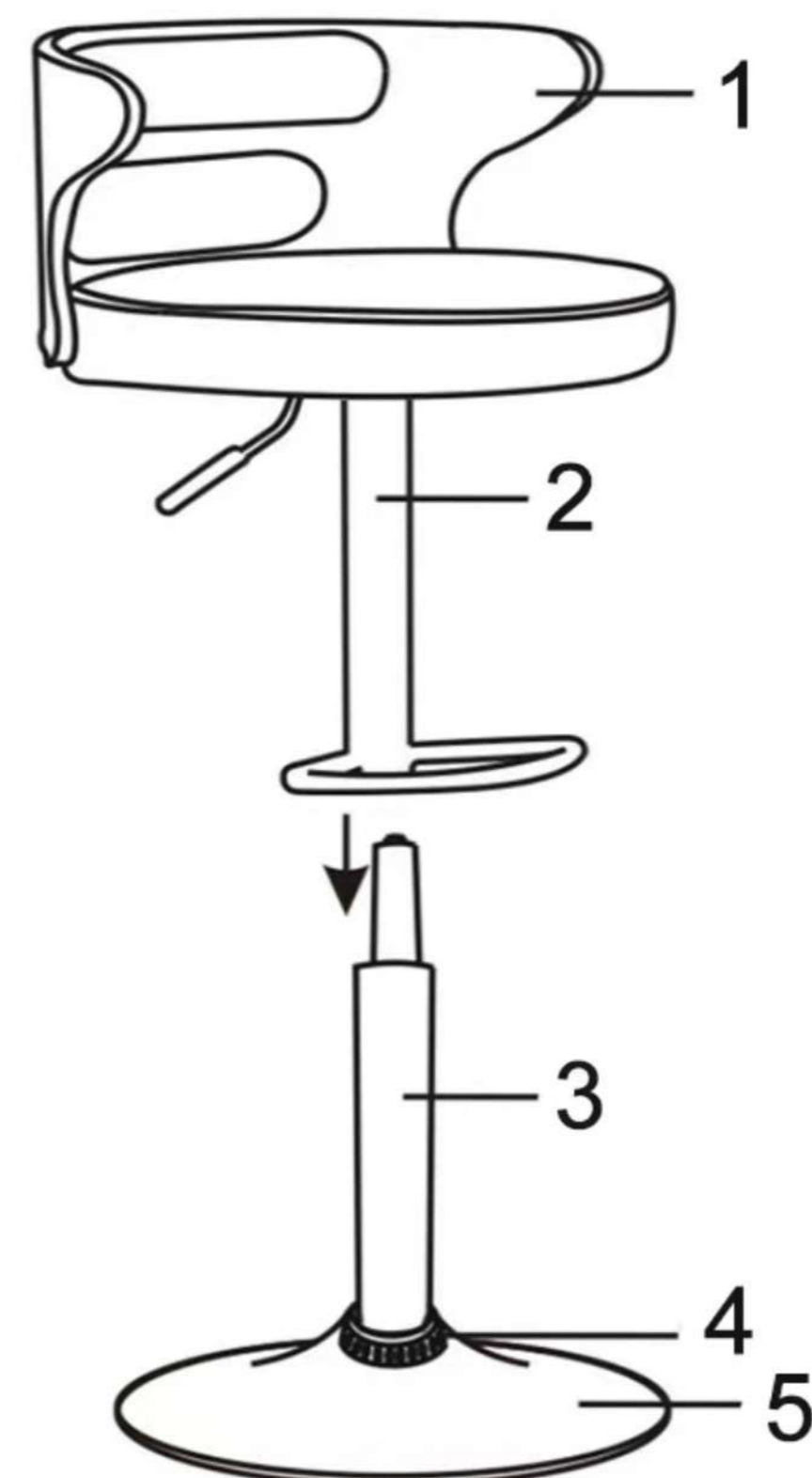
NOTE: Please remove the protective cover from Part 3 before installation.



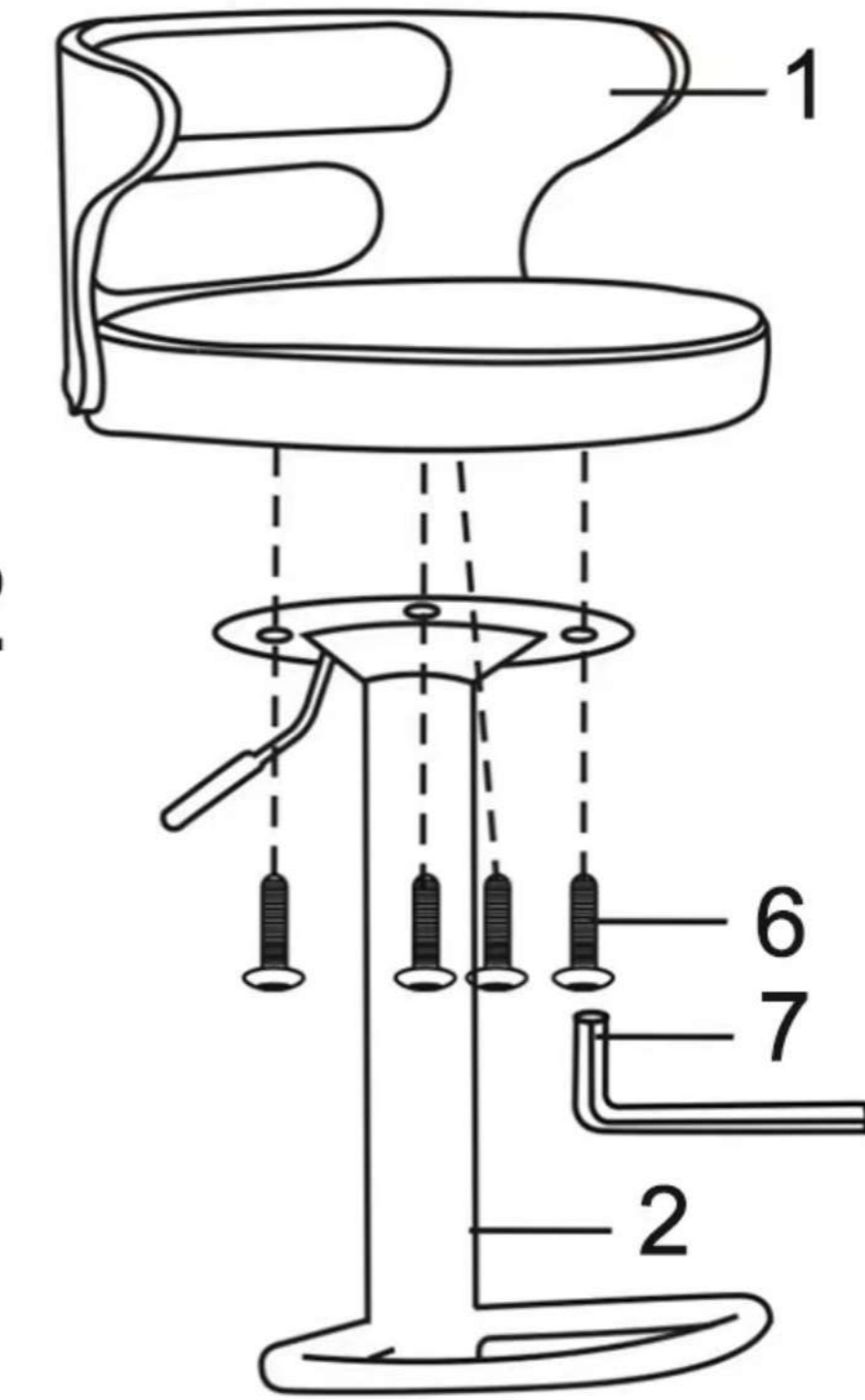
STEP 1



STEP 3



STEP 2



COMPLETED

