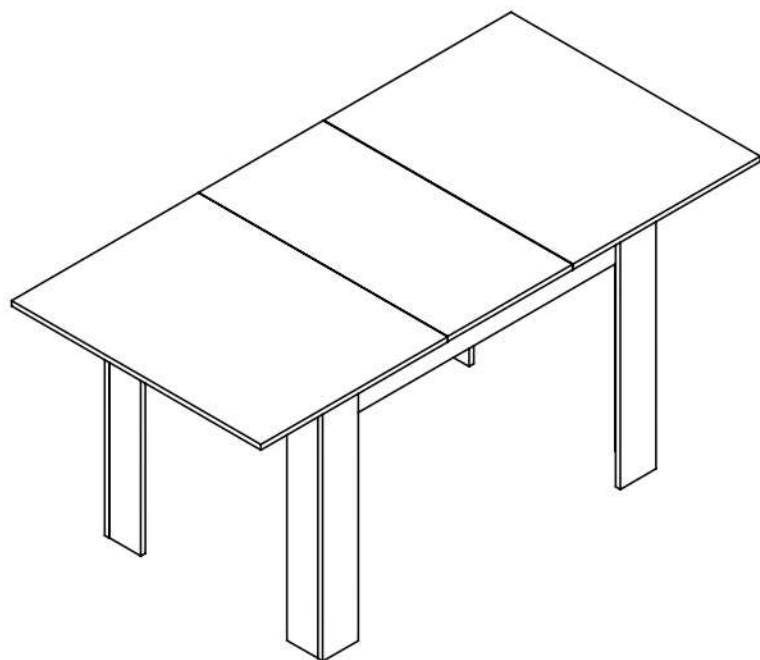


DINING TABLE

MODEL: DTB-EX160-WH/WD/BK













ASSEMBLY INSTRUCTIONS

Please read instructions carefully before assembly.



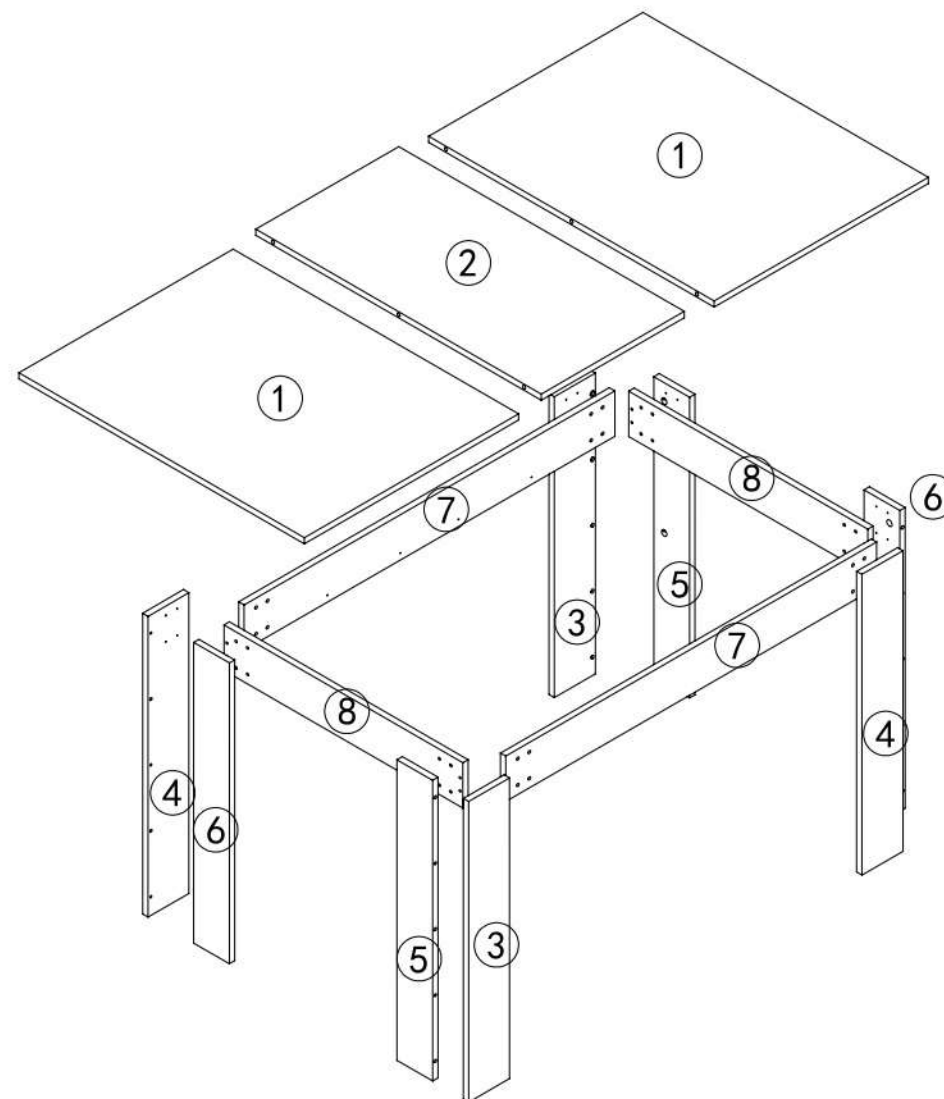
Two persons and tools required for assembly

HARDWARE

A	x12	B	x12	C	x8	D	x32	E	x12	F	x32	G	x8
													
7x35mm		15x12mm		Ø6x30mm		M4x25mm				M4x14mm			
H	x2	I	x6	J	x8								
													
650mm		Ø8x50mm		M4x40mm									

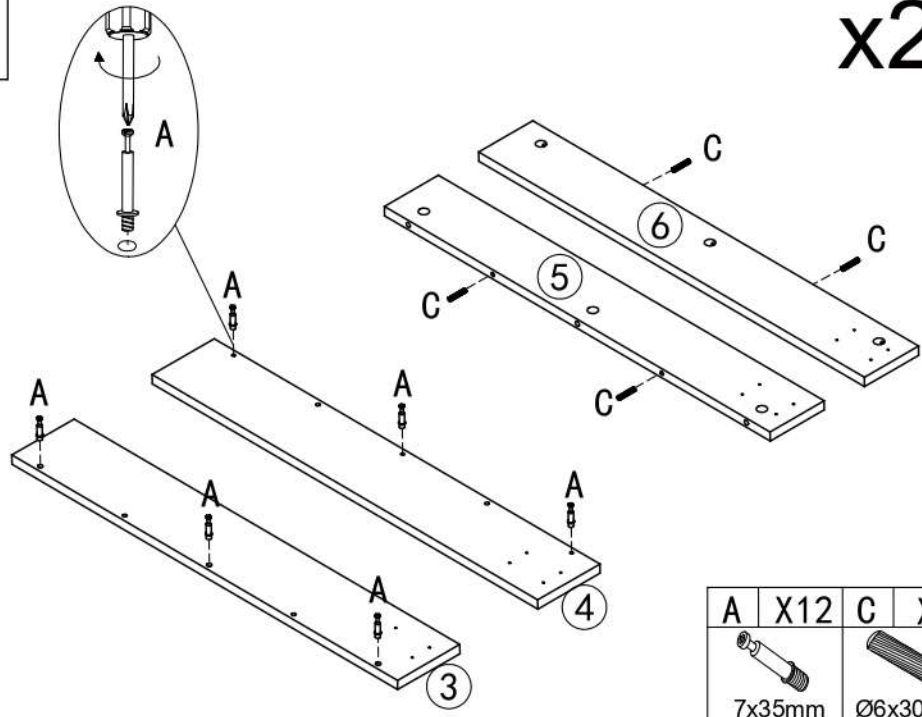
PARTS

Wipe with dry cloths



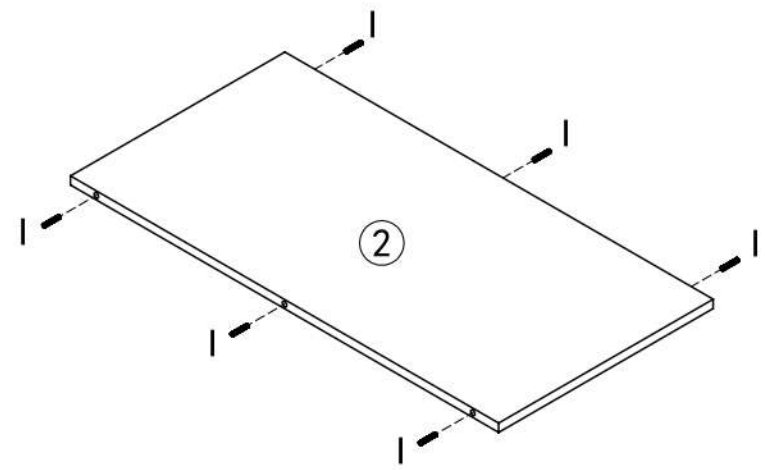
1

x2



A	X12	C	X8
	7x35mm		Ø6x30mm

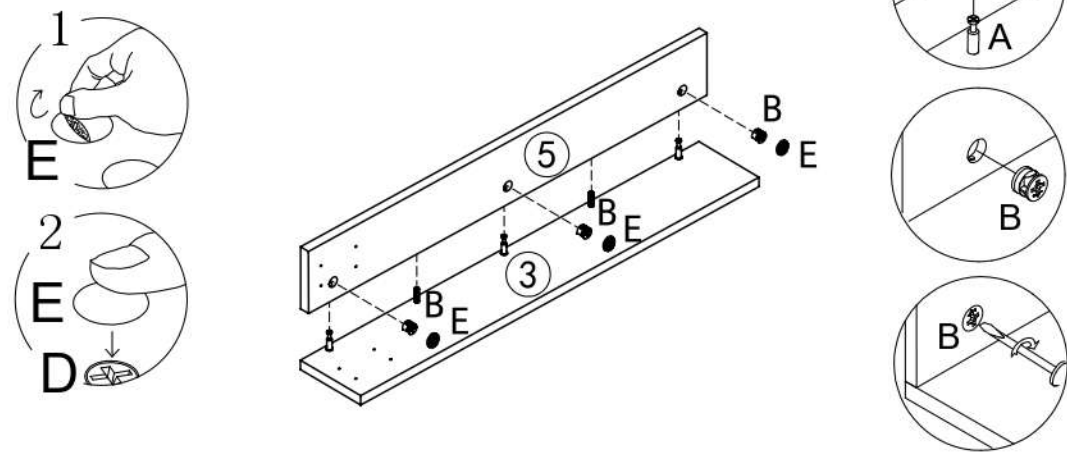
2



I	X6
	Ø8x50mm

3

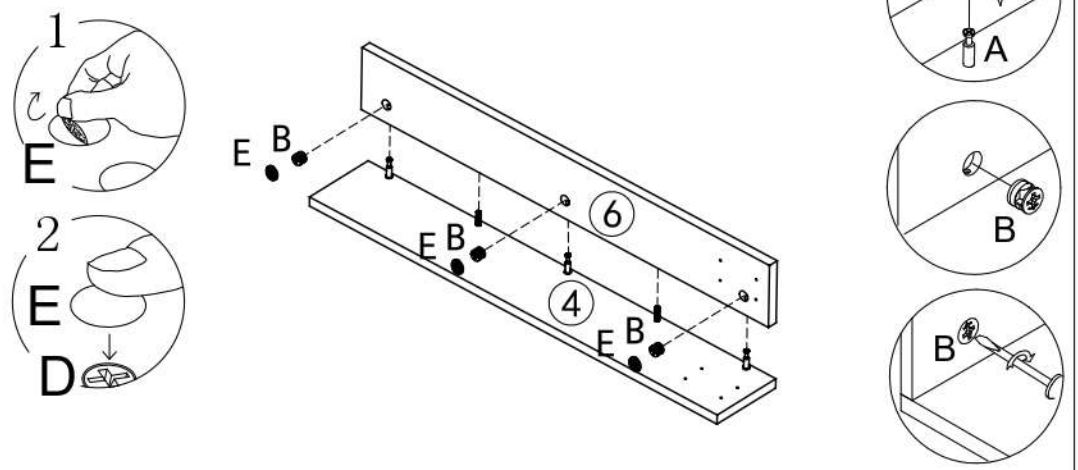
x2



E	X6	B	X6
			15x12mm

4

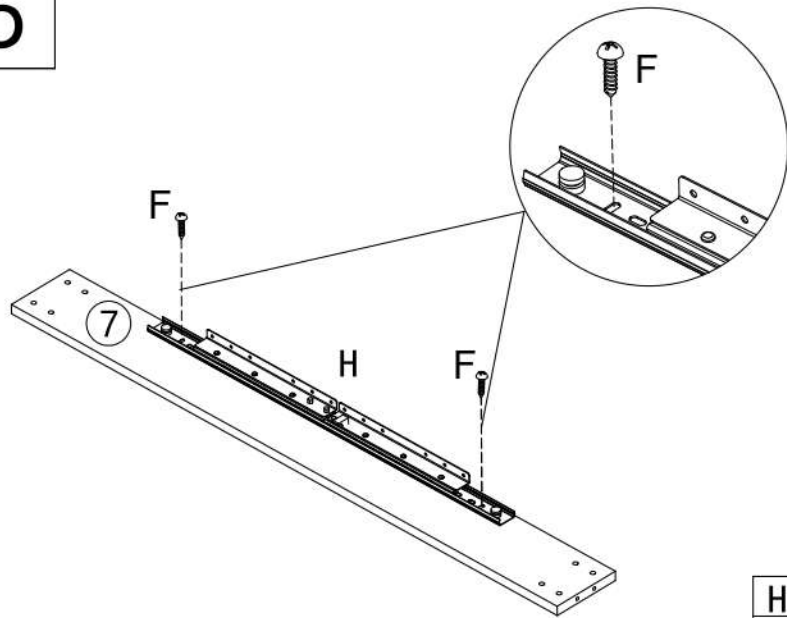
x2





E	X6	B	X6
			15x12mm

5

x2

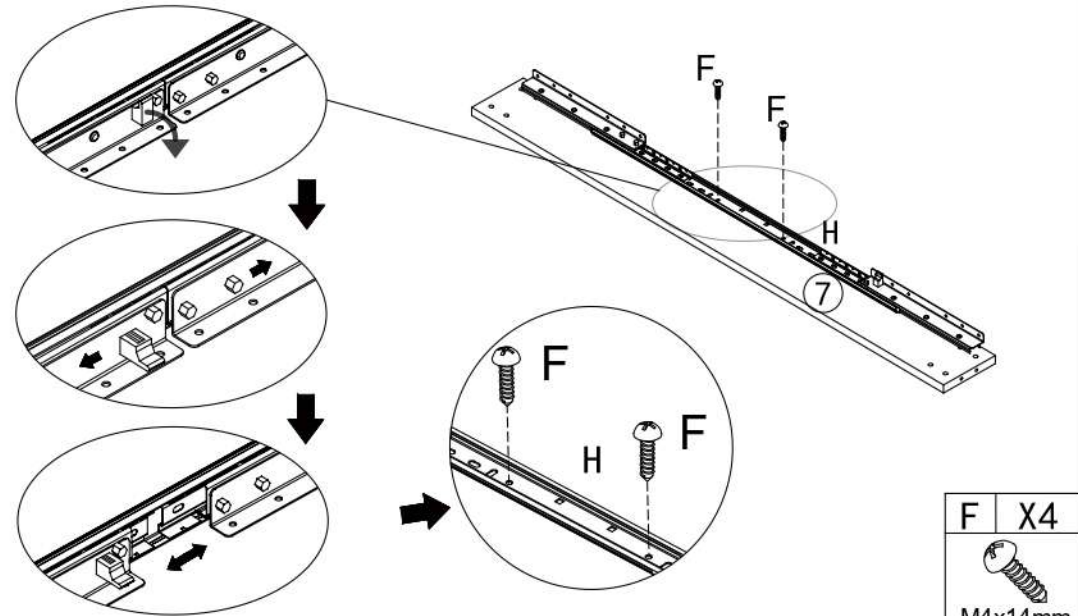


H	X2	F	X4
			
650mm		M4x14mm	

6

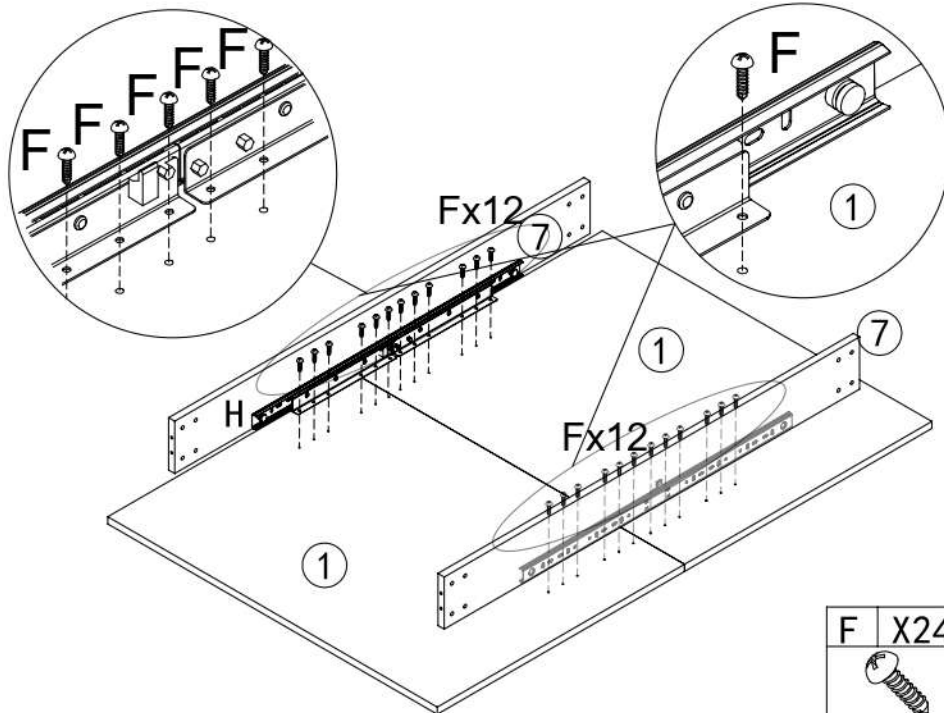
Raise up the black plastic buckle to open the rail and fix the screws (F) properly.

x2



F	X4
	
M4x14mm	

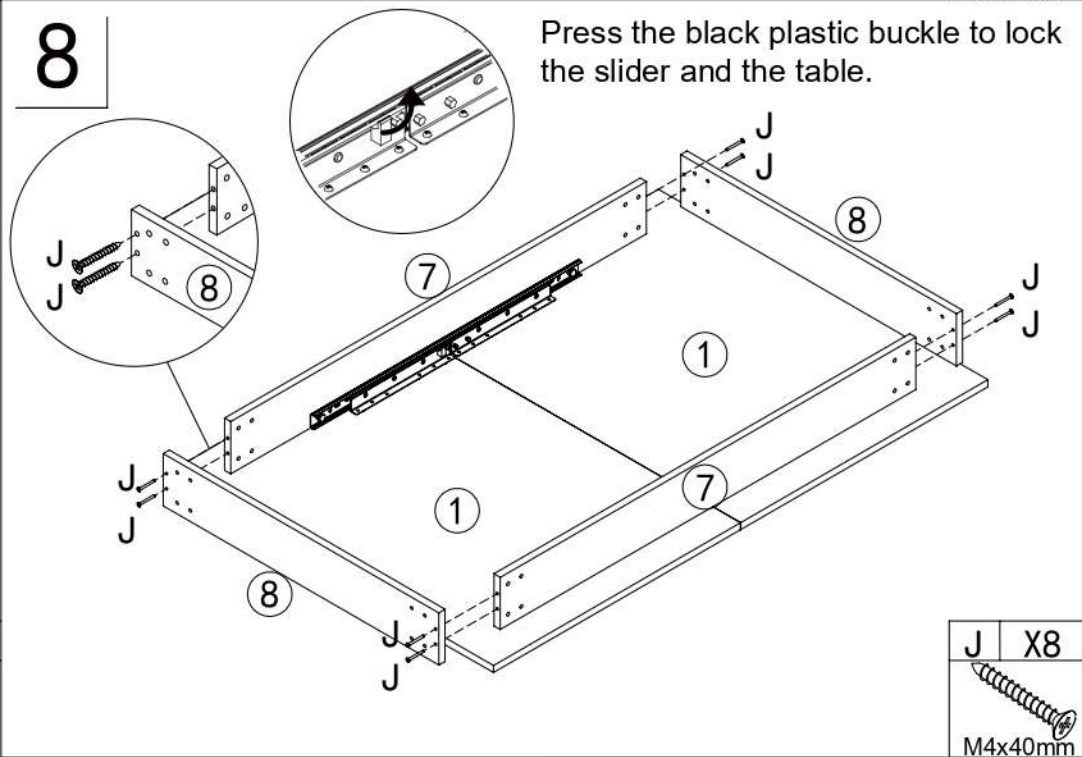
7



F	X24
	
M4x14mm	

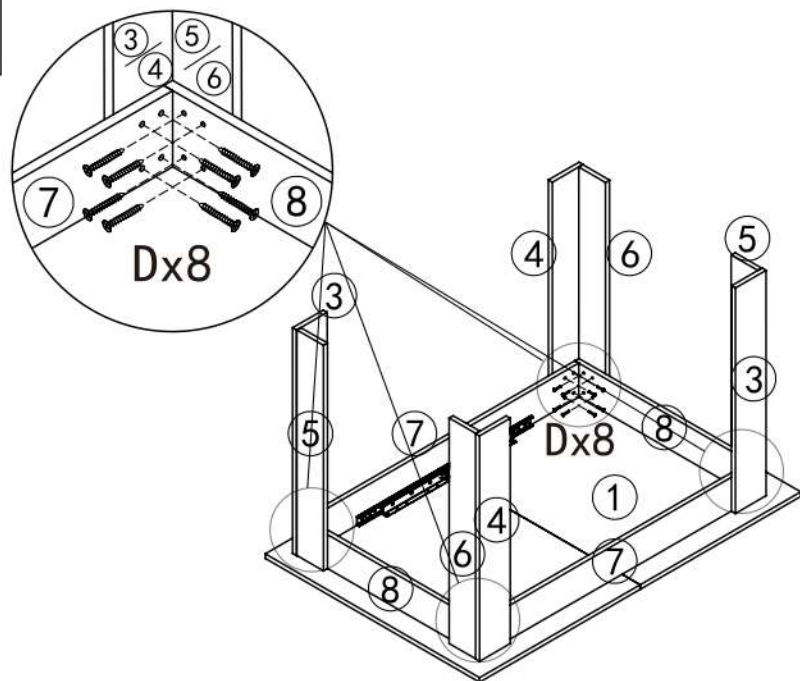
8

Press the black plastic buckle to lock the slider and the table.



J	X8
	
M4x40mm	

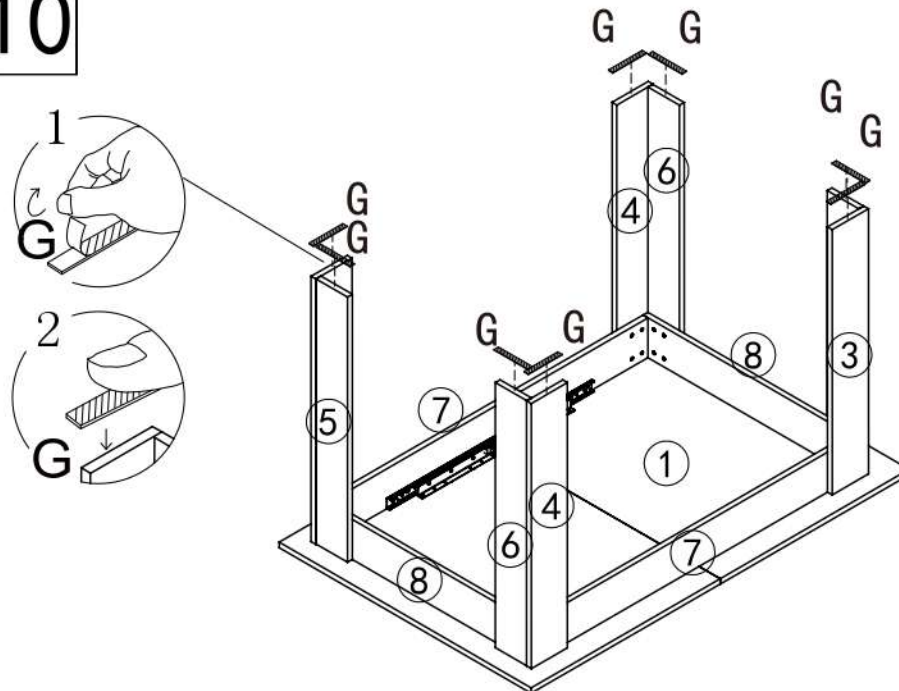
9



D X32



10

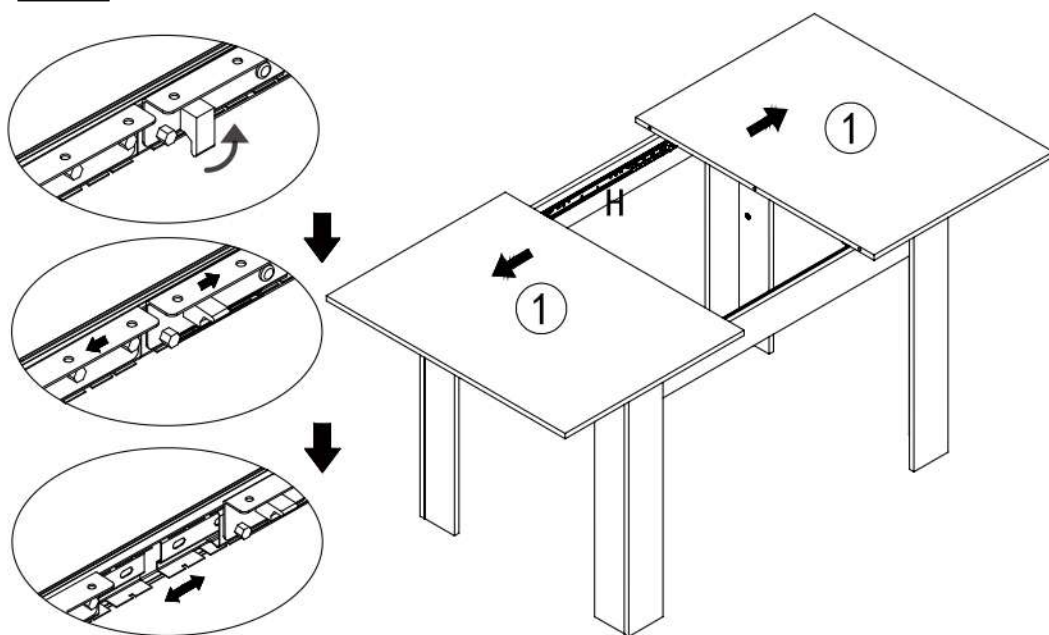


G X8



11

Pull the black plastic buckle and extend two part 1.



12

Place part 2 and lock the black plastic buckle as a extended.

