

23.6.20

290X210MM

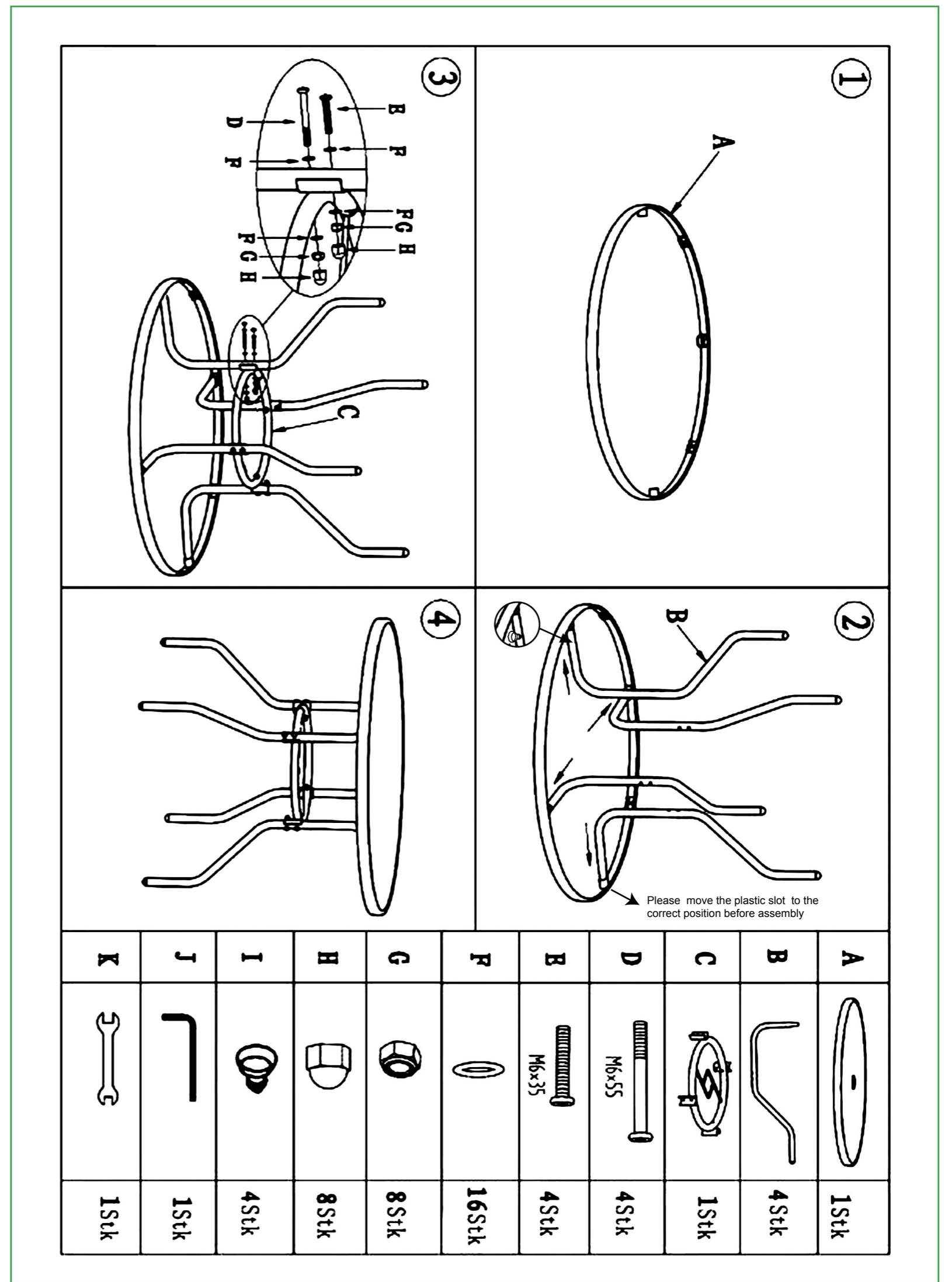
## Assembly instructions

SKU: TXL-TB90-BK

Do not fully tighten the screws until all of them are aligned properly with the holes.  
If the legs are uneven on the ground during assembly, loosen some screws and add some pressure on the frame to ensure the legs are even (sit on the chair carefully). Then tighten the screws diagonally.

### Caution:

Don't let the product fully expose under the Sun or in rain in long time. The tempered glass might explode and the cushion cover will be losing the water resistant under prolonged sunshine and raining.



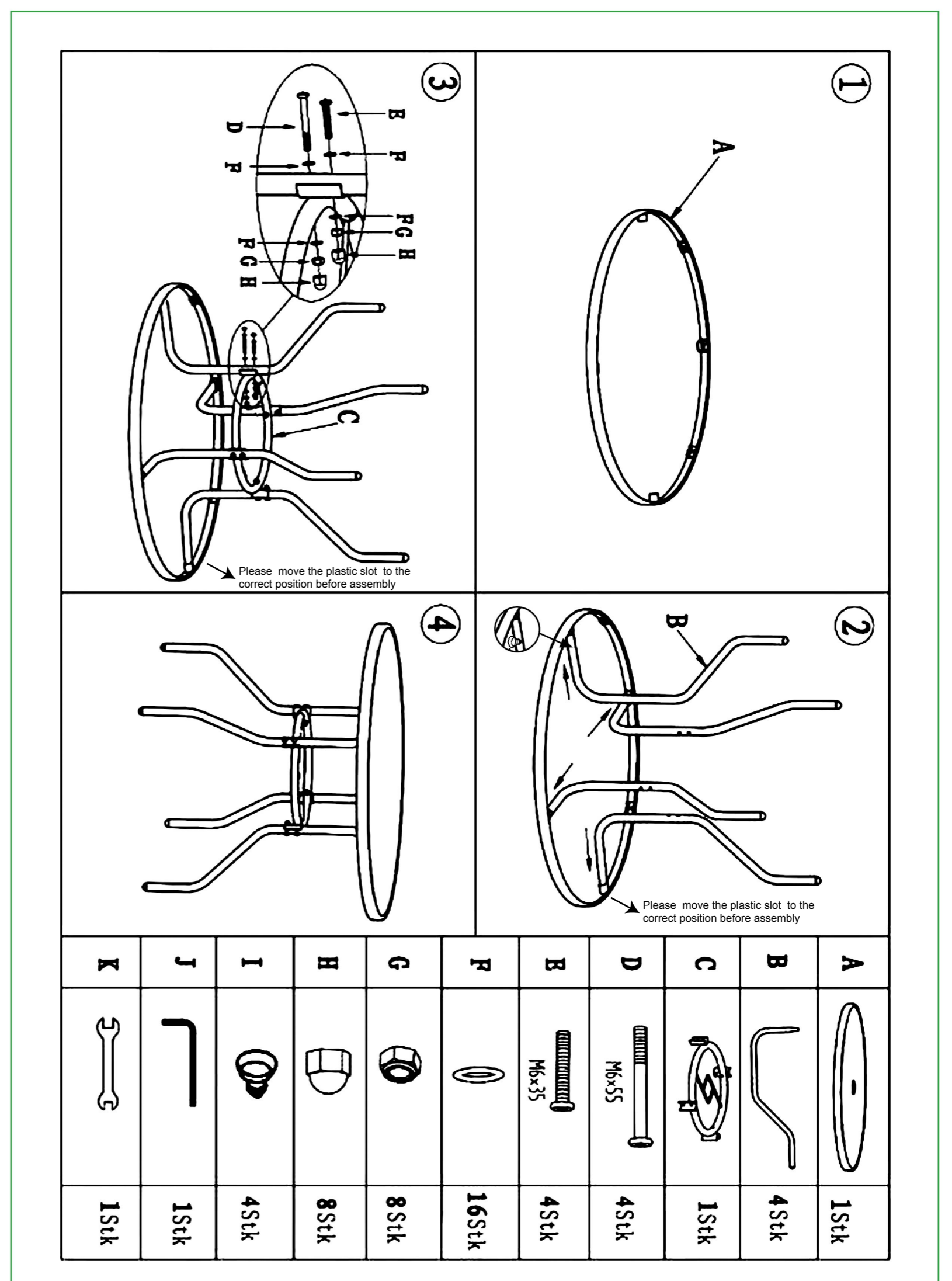
## Assembly instructions

SKU: TXL-TB90-GY

Do not fully tighten the screws until all of them are aligned properly with the holes.  
If the legs are uneven on the ground during assembly, loosen some screws and add some pressure on the frame to ensure the legs are even (sit on the chair carefully). Then tighten the screws diagonally.

### Caution:

Don't let the product fully expose under the Sun or in rain in long time. The tempered glass might explode and the cushion cover will be losing the water resistant under prolonged sunshine and raining.




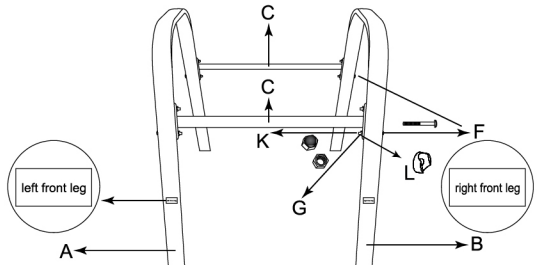
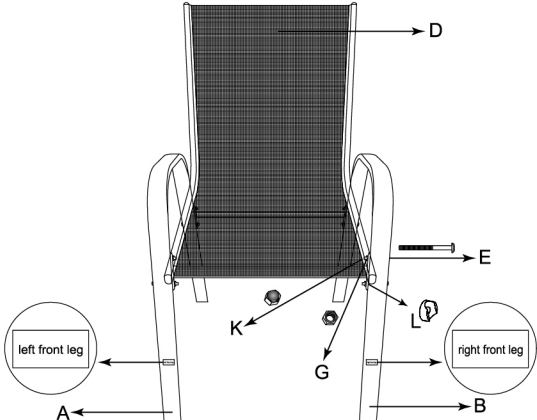
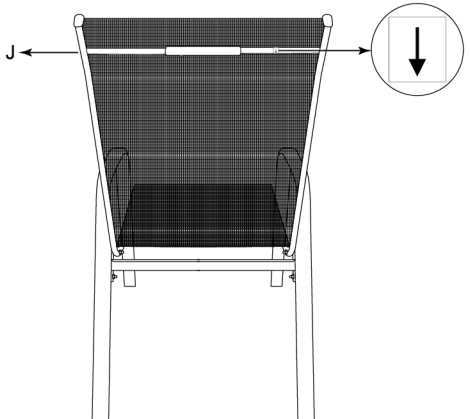



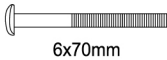
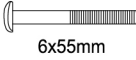

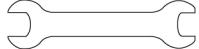


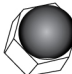

# 2024.6.18 21x28.6cm

## Assembly Instructions

OPS-TXL-CH

Do not fully tighten the screws until all of them are aligned properly with the holes.

If the legs are uneven on the ground during assembly, loosen some screws and add some pressure on the frame to ensure the legs are even. Then tighten the screws diagonally.

A	 left front leg	1PCS	 <p>1. Install legs together and fasten screw, it is very important that make sure 4 feet be on the same horizontal plane, it is not allowed that each one foot is higher or lower</p>  <p>2. Fix the seat board with chair legs, pls distinguish front leg from rear leg .</p>  <p>3. Fasten back bar. Adjust the length of bar to fit the hole site of chair back. Tighten it in the direction of the arrow.</p>
B	 right front leg	1PCS	
C	 2PCS	2PCS	
D	 1PCS	1PCS	
E	 6x70mm	4PCS	
F	 6x55mm	4PCS	
G	 8PCS	8PCS	
H	 1PCS	1PCS	
I	 1PCS	1PCS	
J	 1PCS	1PCS	
K	 8PCS	8PCS	
L	 8PCS	8PCS	

Don't let the product fully expose under the Sun or in rain.

The lifespan will shorten under prolonged sunshine and raining.