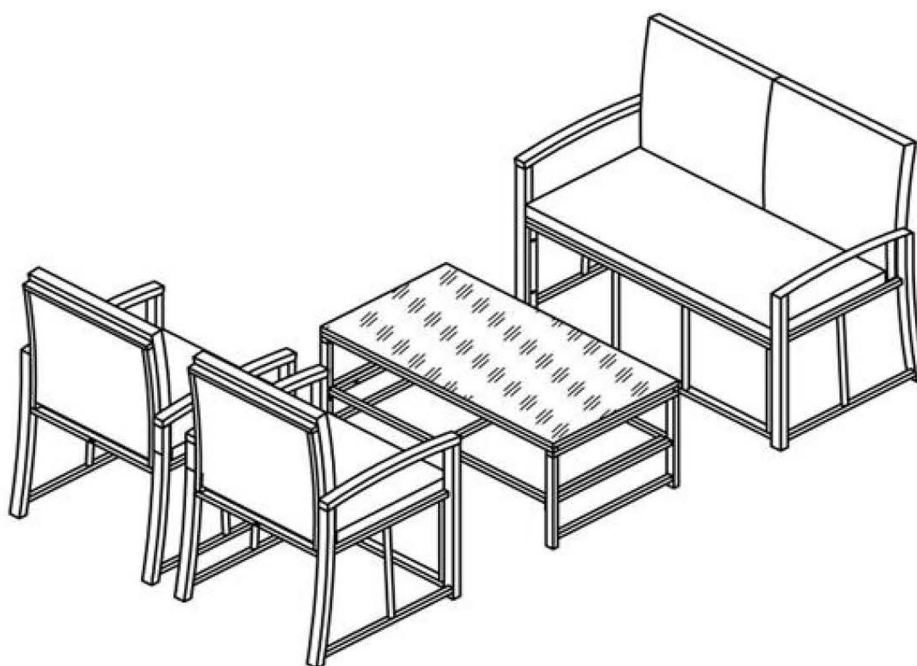


ASSEMBLY INSTRUCTIONS

Please read these instructions carefully before assembling and using the product.

OUTDOOR RATTAN PATIO SET

MODEL: OPS-RTN-4C-BK/GY



ASSEMBLY TIPS

- Do not fully tighten the screws until all of them are aligned properly with the holes.
- If the legs are uneven on the ground during assembly, loosen some screws and add some pressure on the frame to ensure the legs are even. Then tighten the screws diagonally.

TROUBLESHOOTING GUIDE

PROBLEM	SOLUTION
The holes of some parts do not align with each other.	<ul style="list-style-type: none">• Check that you have the right part for the connection and that the part is in the correct position and orientation.• Always dry fit the parts before connecting them with screws to ensure that you have the correct part for assembly.• Loosen the screws to re-align the connections before tightening them.
The product stands uneven and the legs are not touching the ground uniformly.	<ul style="list-style-type: none">• Loosen some screws, apply some pressure on the product to ensure that all legs are in contact with the ground and then tighten the screws diagonally.
There are missing parts in the package.	<ul style="list-style-type: none">• Please contact our Customer Service for assistance.

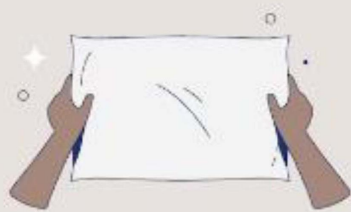
Cushion fluff:

We recommend fluffing your pillow by hand for at least 30 seconds by:

Fluffing diagonally.

Hold diagonal corners of your pillow and clap them together. Don't clap too hard, though, because you might actually make your pillow flatter with too much force.

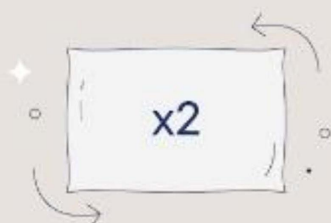
How to Fluff a Pillow with the Accordion Method



- 1 Hold your pillow in the air with both hands from either side.



- 2 Gently compress opposite sides, as if playing the accordion.



- 3 Rotate and repeat this action for an even fluff.

OUTDOOR RATTAN PATIO SET

MODEL: OPS-RTN-4C-BK/GY

ASSEMBLY INSTRUCTIONS

Please read these instructions carefully before assembling and using the product.

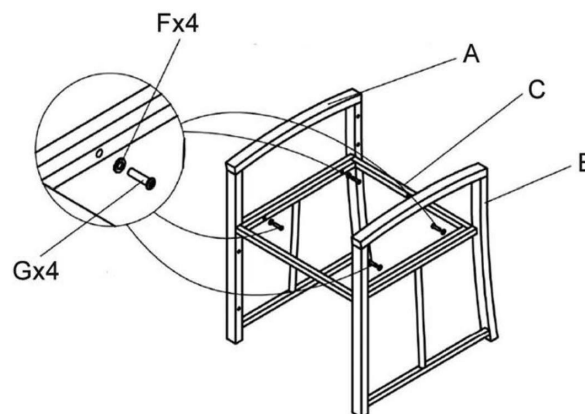
ASSEMBLY TIPS

- Do not fully tighten the screws until all of them are aligned properly with the holes.
- If the legs are uneven on the ground during assembly, loosen some screws and add some pressure on the frame to ensure the legs are even. Then tighten the screws diagonally.

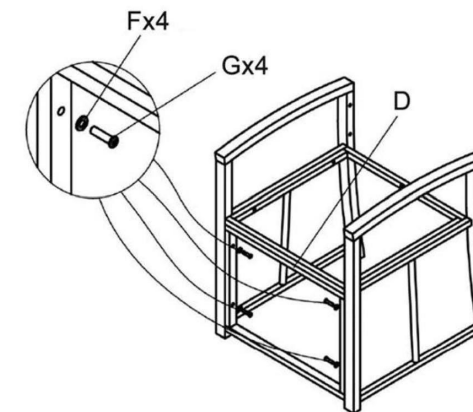
SINGLE CHAIR ASSEMBLY

PART	QTY	PART	QTY
A	1	F D6 washer	13
B	1	G M6x30mm	13
C	1	H	1
D	1		2
E	1		

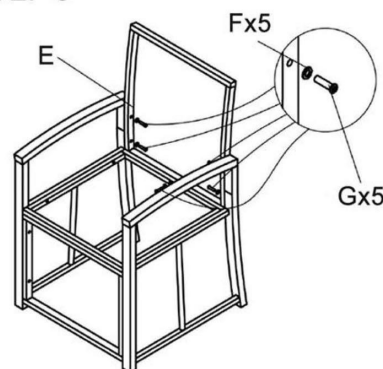
STEP 1



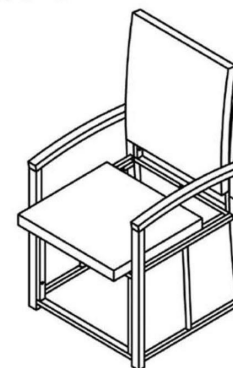
STEP 2



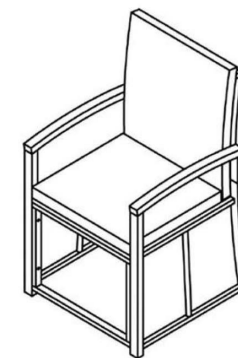
STEP 3



STEP 4



COMPLETED



OUTDOOR RATTAN PATIO SET

MODEL: OPS-RTN-4C-BK/GY

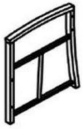





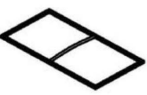

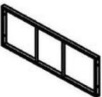

ASSEMBLY INSTRUCTIONS

Please read these instructions carefully before assembling and using the product.

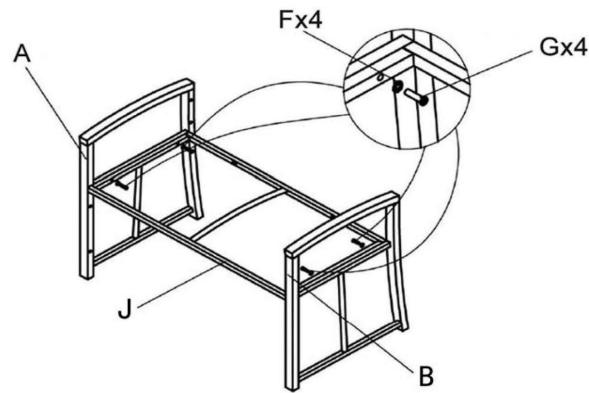
ASSEMBLY TIPS

- Do not fully tighten the screws until all of them are aligned properly with the holes.
- If the legs are uneven on the ground during assembly, loosen some screws and add some pressure on the frame to ensure the legs are even. Then tighten the screws diagonally.

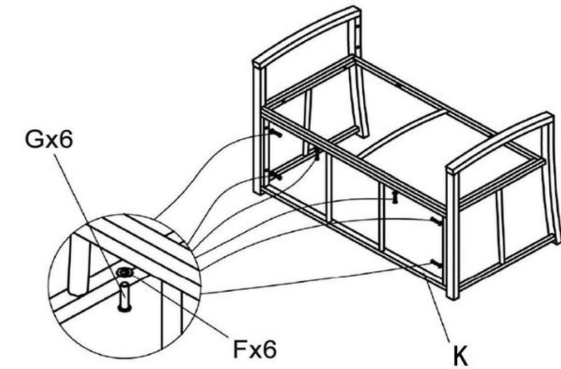
DOUBLE CHAIR ASSEMBLY

PART	QTY	PART	QTY
A 	1	F  D6 washer	16
B 	1	G  M6x30mm	16
I 	1	H 	1
J 	1		2
K 	1		1

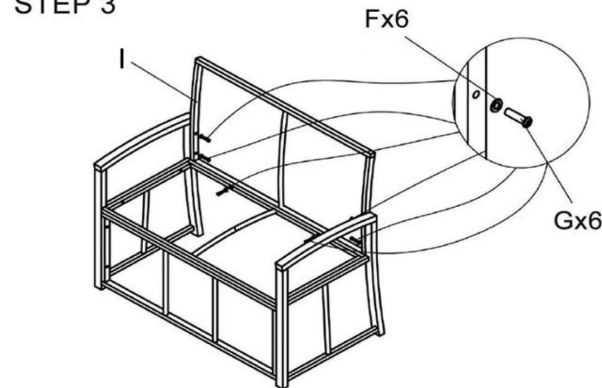
STEP 1



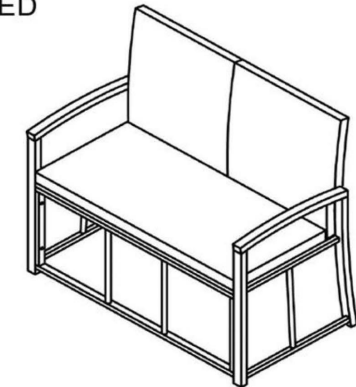
STEP 2



STEP 3



COMPLETED



OUTDOOR RATTAN PATIO SET

MODEL: OPS-RTN-4C-BK/GY

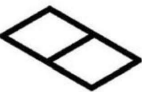



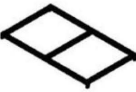
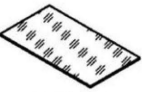


ASSEMBLY INSTRUCTIONS

Please read these instructions carefully before assembling and using the product.

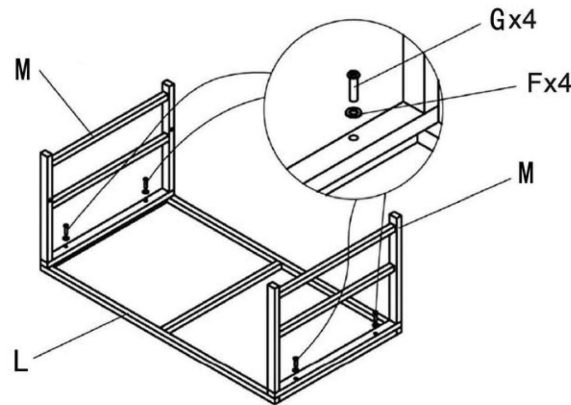
ASSEMBLY TIPS

- Do not fully tighten the screws until all of them are aligned properly with the holes.
- If the legs are uneven on the ground during assembly, loosen some screws and add some pressure on the frame to ensure the legs are even. Then tighten the screws diagonally.

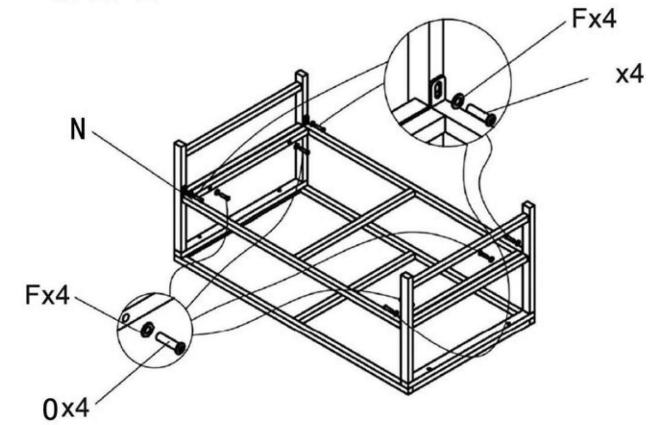
COFFEE TABLE ASSEMBLY

PART	QTY	PART	QTY
L 	1	F  D6 washer	12
M 	2	H 	1
N 	1	 Tabletop	1
G  M6x30mm	8		
O  M6x15mm	4		

STEP 1

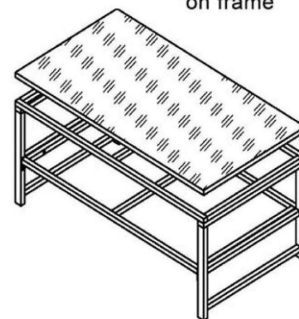


STEP 2



STEP 3

Place tabletop on frame



COMPLETED

