

# ASSEMBLY INSTRUCTIONS

Please read the instructions carefully  
before assembling and using the product

## MBF-BELLE Series

**IMPORTANT NOTE:**

- \* PLACE ALL PARTS ON A CLEAN AND SMOOTH SURFACE SUCH AS A RUG OR CARPET TO AVOID THE PARTS FROM BEING SCRATCHED.
- \* KINDLY FOLLOW THE ASSEMBLY INSTRUCTIONS STEP BY STEP.
- \* DO NOT TIGHTEN ALL SCREWS UNTIL THE BED IS FULLY SET-UP.

Do not jump on the bed, or it will damage the bed or cause injury!

**\*IMPORTANT NOTICE\***

When moving the bed, please lift off the ground with two people. DO NOT drag, push or pull the bed across the floor, as this can result in damage to the supporting leg.

# ASSEMBLY CHECKLIST



Read through the instructions carefully before starting assembly.



Make sure that you have the required tools. Do not use power tools.



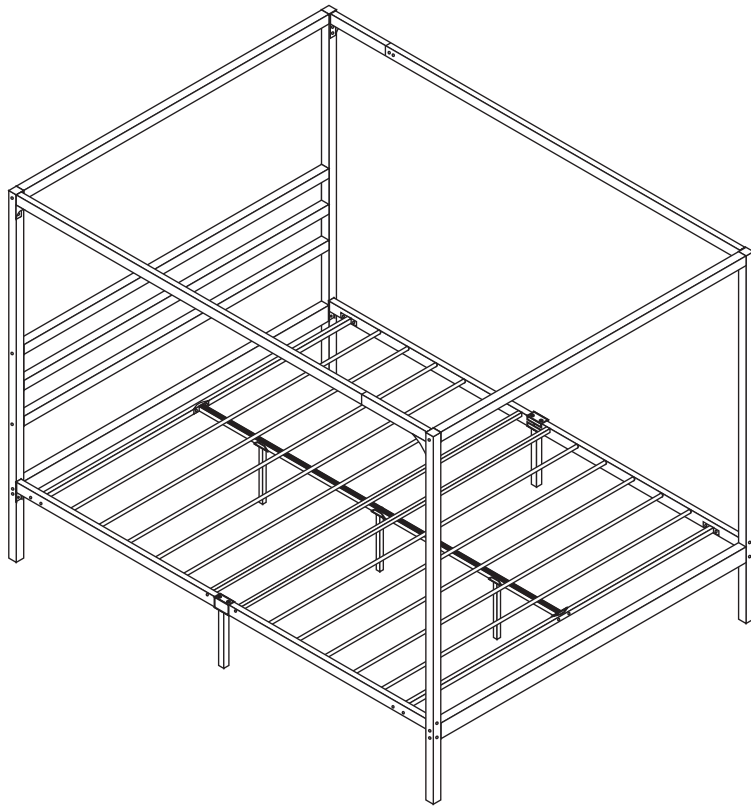
Identify and lay out all parts to familiarise yourself with them.



Do not fully tighten all screws until the step or process has been completed.

## USEFUL INFORMATION

1. Never use power tools for assembly. They can damage the components or hardware if used incorrectly.
2. The most common mistakes made during assembly are using the wrong hardware or getting components from back to front.
3. Always assemble the product on a soft surface such as a carpet or cardboard to avoid scratching or damaging the surface of the product.



A		M6x28	22
B		M6x12	12
C		M6x40	8
D		M6x55	4
E		M8x50	4
F			4
G		M6x50	12
I		M4	2
J		M5	1
M			1

