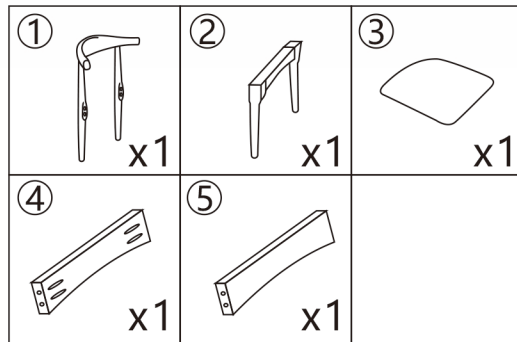


# DINING CHAIR

MODEL:DCH-BERT-WDBK-2PC

# ASSEMBLY INSTRUCTIONS



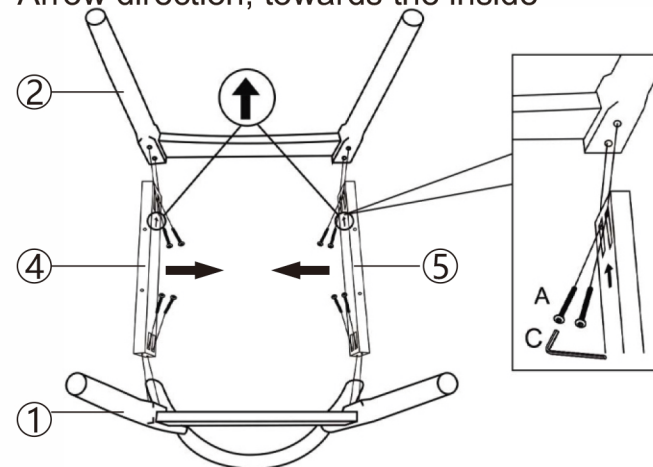
A	M6X35 MM	8
B	3.5	4
C	L5	1
D		4

## ASSEMBLY TIPS

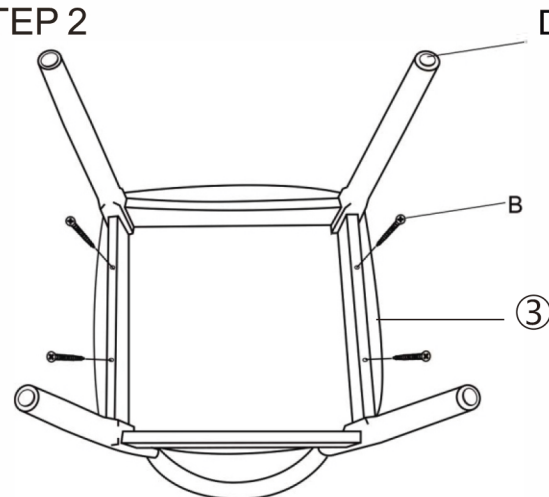
- Do not fully tighten the screws until all of them are aligned properly with the holes
- If the legs are uneven on the ground during assembly, loosen some screws and add some pressure on the chair to ensure the legs are even. Then tighten the screws diagonally.

### STEP 1

Arrow direction, towards the inside



### STEP 2



### COMPLETED



## WARNING

1. Do not stand on the chair. Do not use it as a step ladder.
2. Do not use this product until all screws are securely fastened.
3. Do not use a knife to open any packaging.