


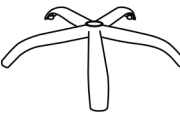



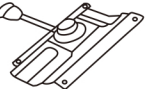






OFFICE CHAIR

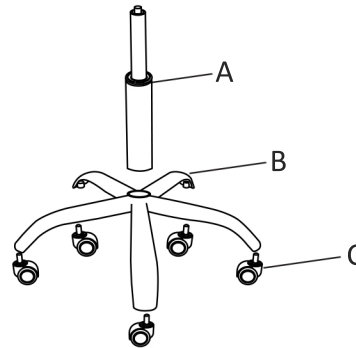
OCH-HD-STRIPE

ASSEMBLY INSTRUCTIONS

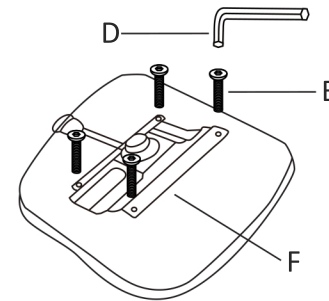
- Do not fully tighten all screws until they are properly aligned with their connections.
- If the legs of the chair are uneven on the ground during assembly, loosen some screws and add some pressure on the chair to ensure all the legs are in contact with the ground. Then tighten the screws diagonally.

A 1pc 	B 1pc 
C 5pcs 	D 1pc 
E 8pcs M6x20mm 	F 1pc 
G 1pc 	H 4pcs M6x35mm 
I 2pcs 	J 1pc 

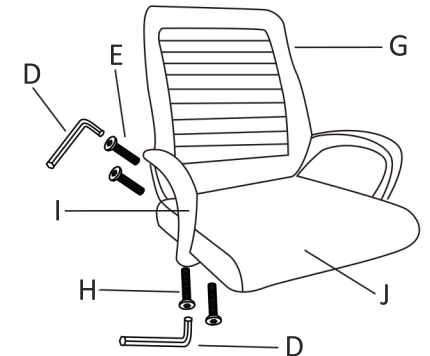
STEP 1



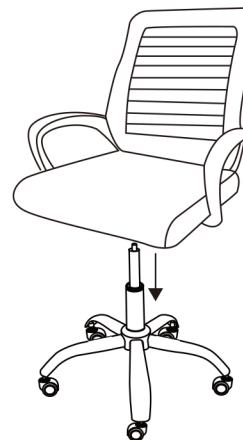
STEP 2



STEP 3



STEP 4



COMPLETED ASSEMBLY



WARNING

- Do not stand on the chair or use it as a stepping stool.
- Do not use this product until all screws are securely fastened.
- Do not use a sharp object to open any packaging.