

## Gentle reminder:

1. Hardware F and K are packed separately in the box, please unpack for assembly use ;
2. Please cross check the hardware required before assembly and discard the rest;
3. Please check the tightness of the bolts regularly after using;



**ROCKING CHAIR**  
MODEL:ACH-A4  
version 3.0

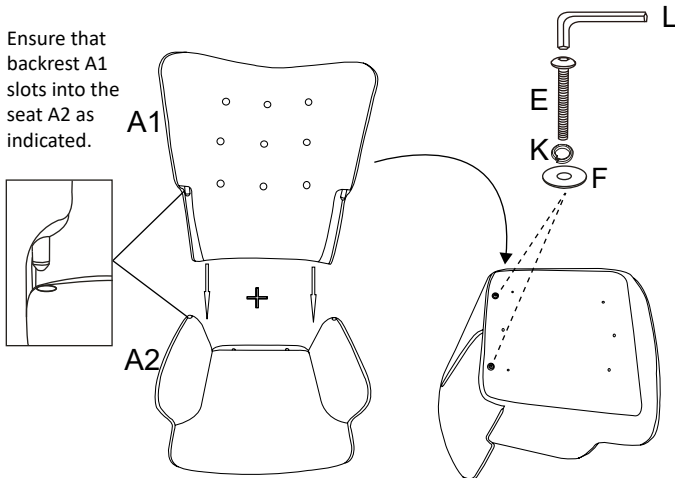
# ASSEMBLY INSTRUCTIONS

Please read these instructions carefully before assembly.

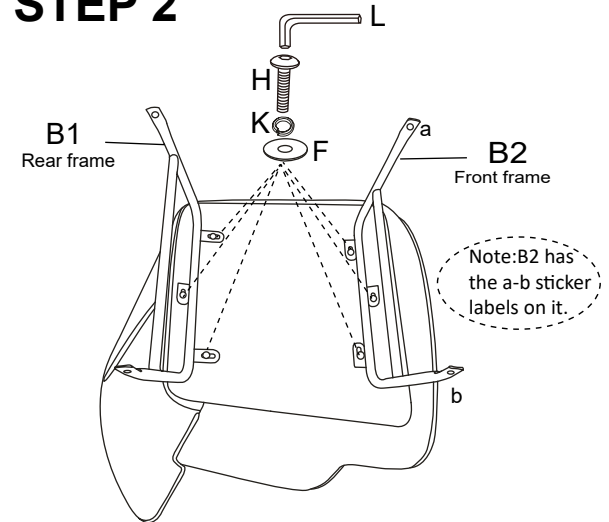
A1 x1pc 	A2 x1pc 	B1 x1pc 	B2 x1pc 	C x1pc left leg 	E x2pcs M6x40mm 	G x4pcs M8x25mm 	H x6pcs M6x20mm 	L x1pc M6 
		Rear frame	Front frame	D x1pc right leg 	F x12pcs M8 		K x12pcs M8 	J x2pcs 

## STEP 1

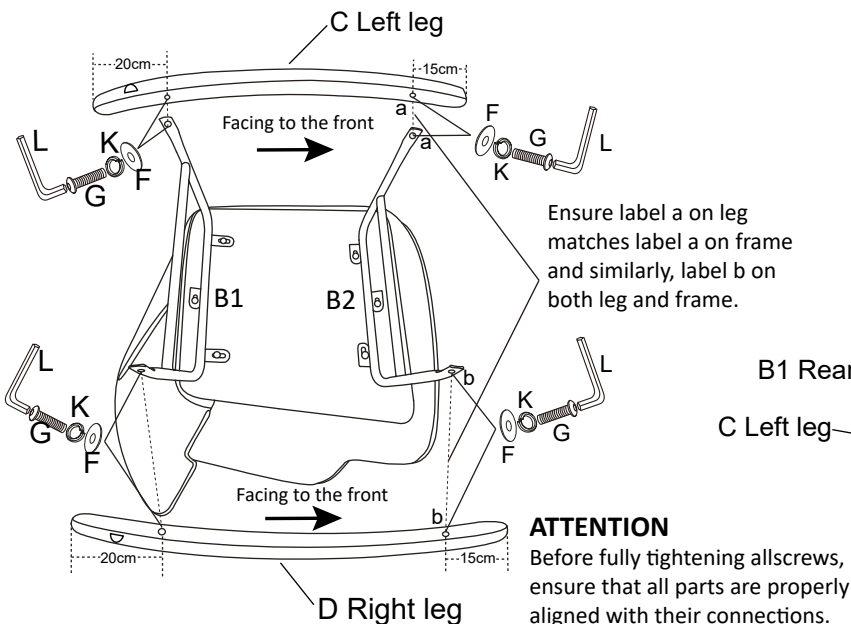
Ensure that backrest A1 slots into the seat A2 as indicated.



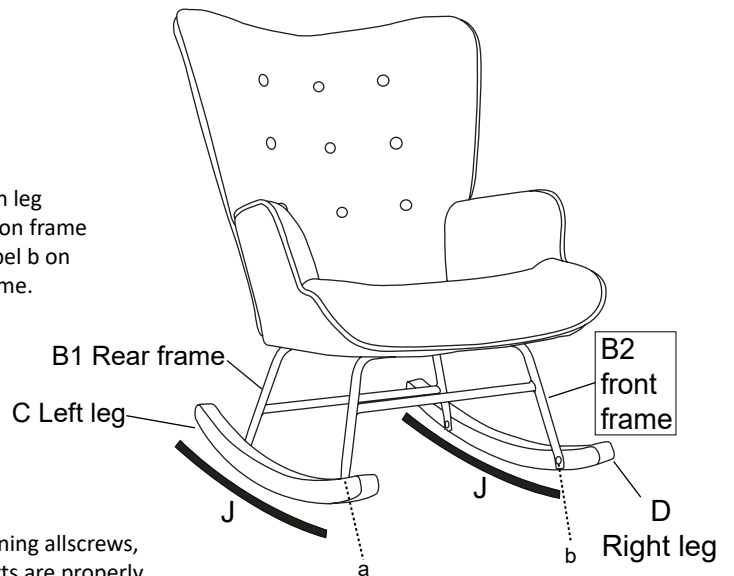
## STEP 2



## STEP 3



## STEP 4



## WARNINGS

- Do not stand on the product. Do not use it as a step ladder.
- Do not use the product until all screws are securely fastened.
- Do not use a knife to open any parts of the packaging.
- Weight limit 95kgs.