





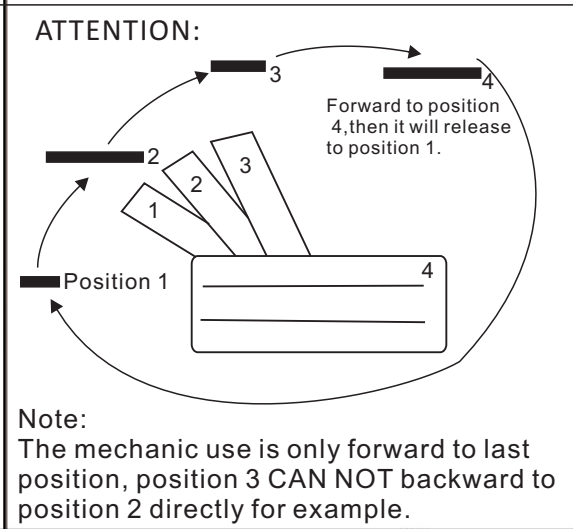
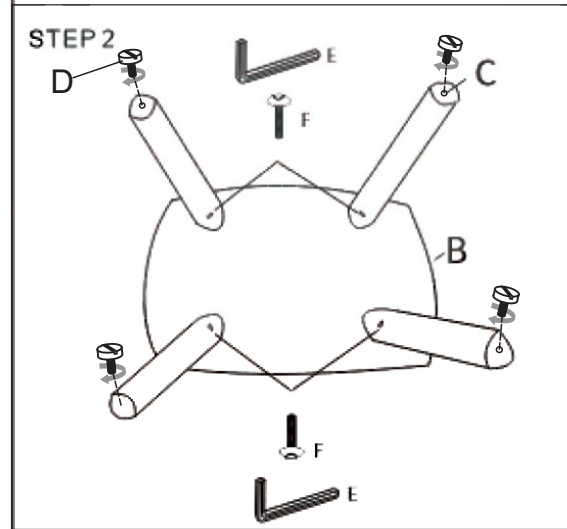
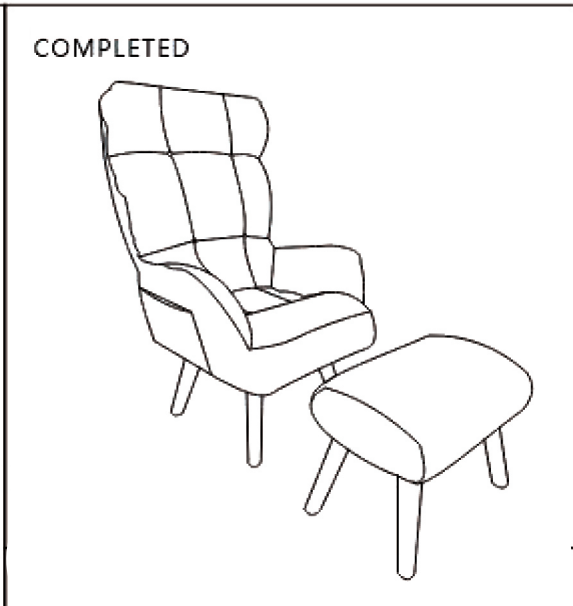
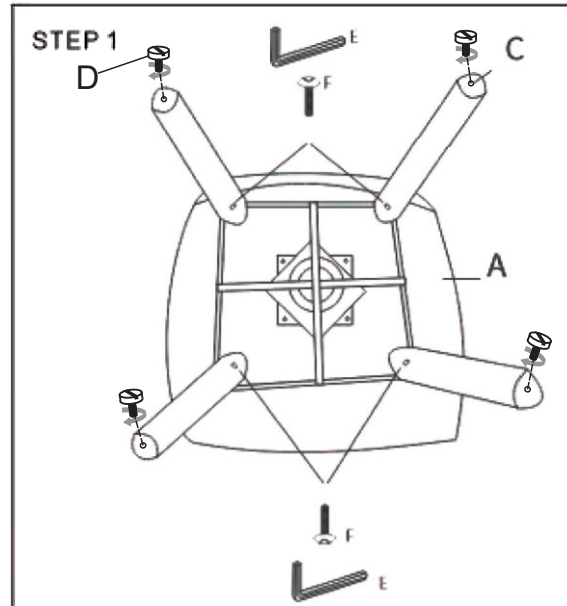




Version 2.0

ASSEMBLE INSTRUCTIONS

ACH-ST-TRON	
Ax1 	Bx1 
Cx8 	Dx8 
Ex1  M6	Fx8  M8x50mm



WARNING:

DO NOT STAND ON THE PRODUCT, DO NOT USE THIS PRODUCT AS A STEP LADDER, DO NOT USE THIS PRODUCT UNLESS BOLTS. SCREWS AND KNOBS ARE FIRMLY SECURED. PLEASE DO NOT USE KNIFE TO OPEN ANY PARTS OF THE BOX OR PRODUCT