

OSC-HALF-% Model

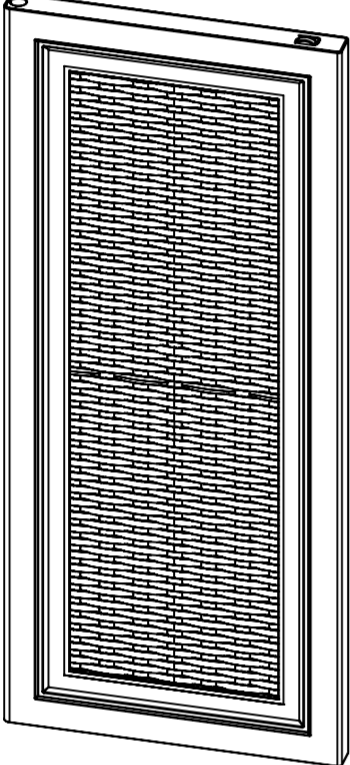
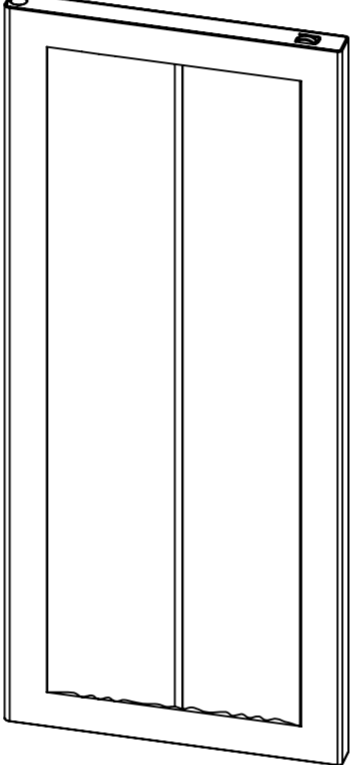
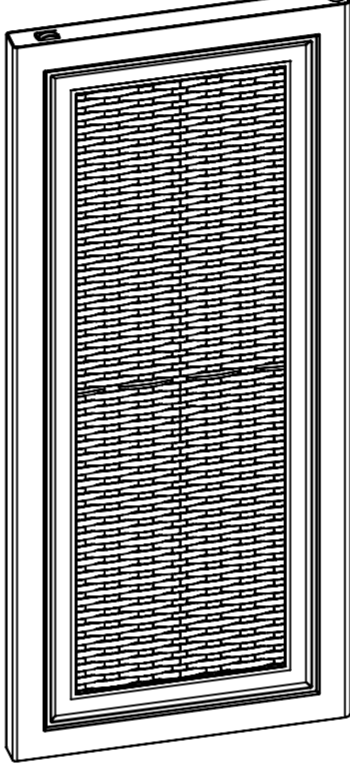
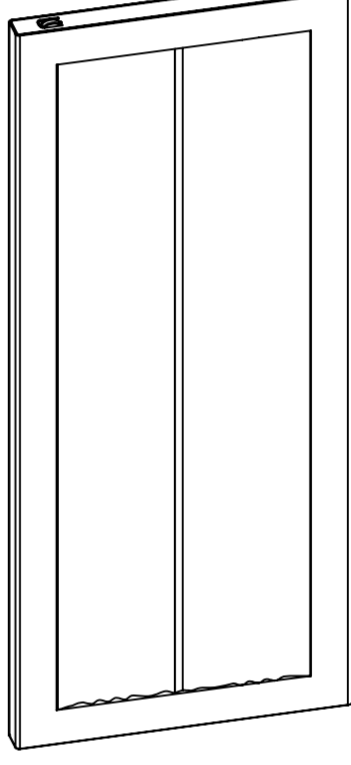
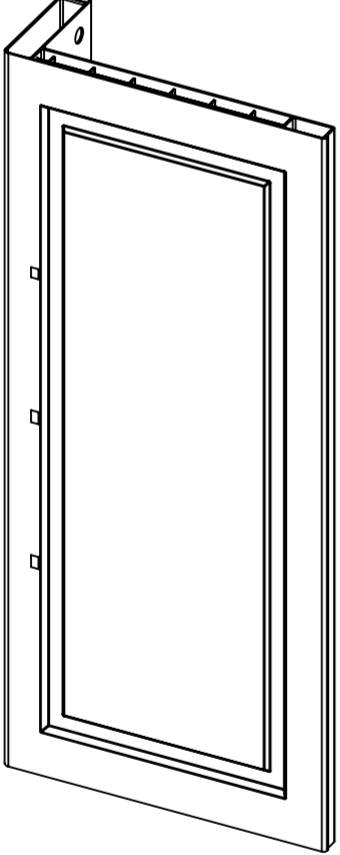
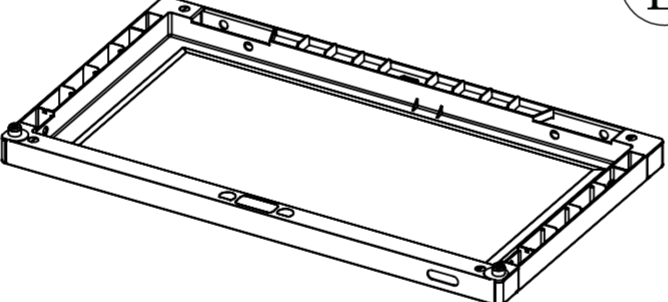
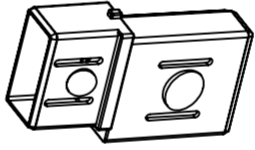
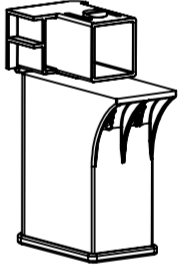
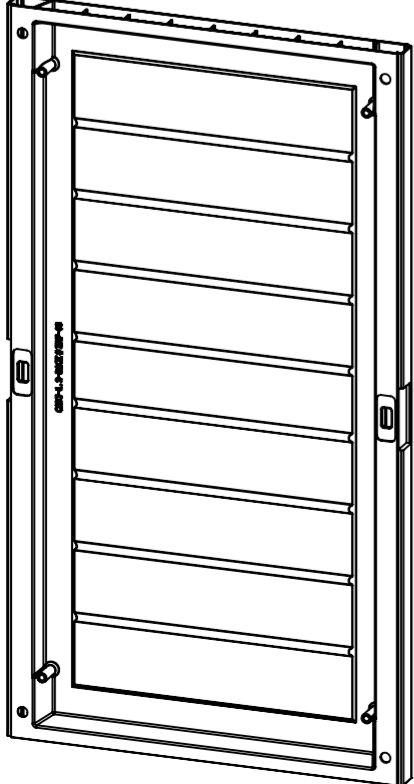
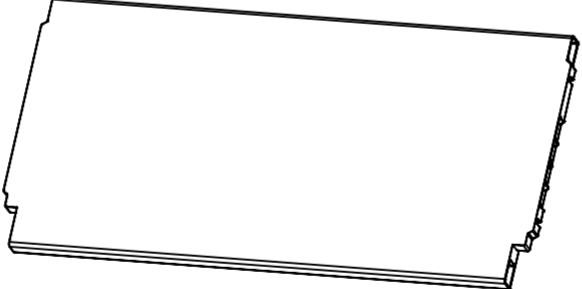
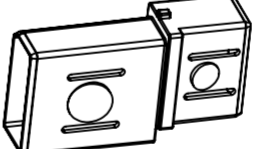
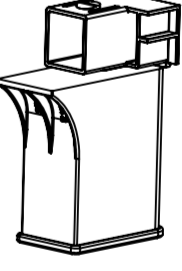
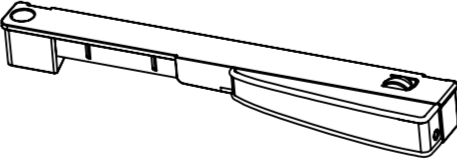
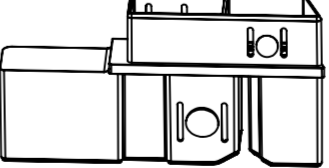

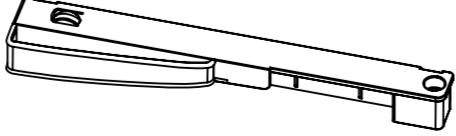
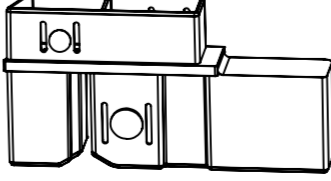
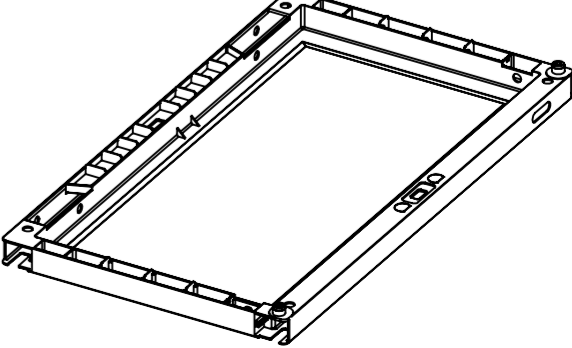
Assembly Instructions

Caution:

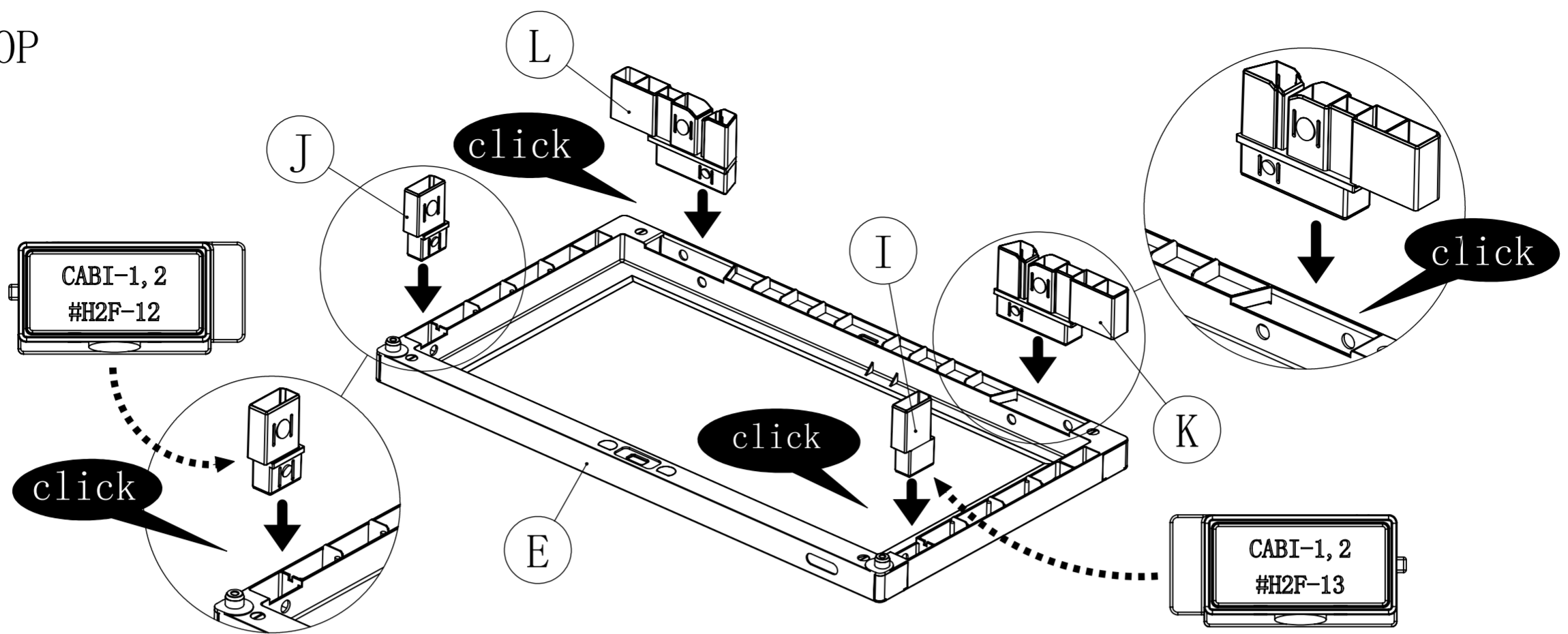
Please avoid overweight storage (no more than 6KG per layer)

Don't let the product fully expose under the hot Sun or in heavy rain.

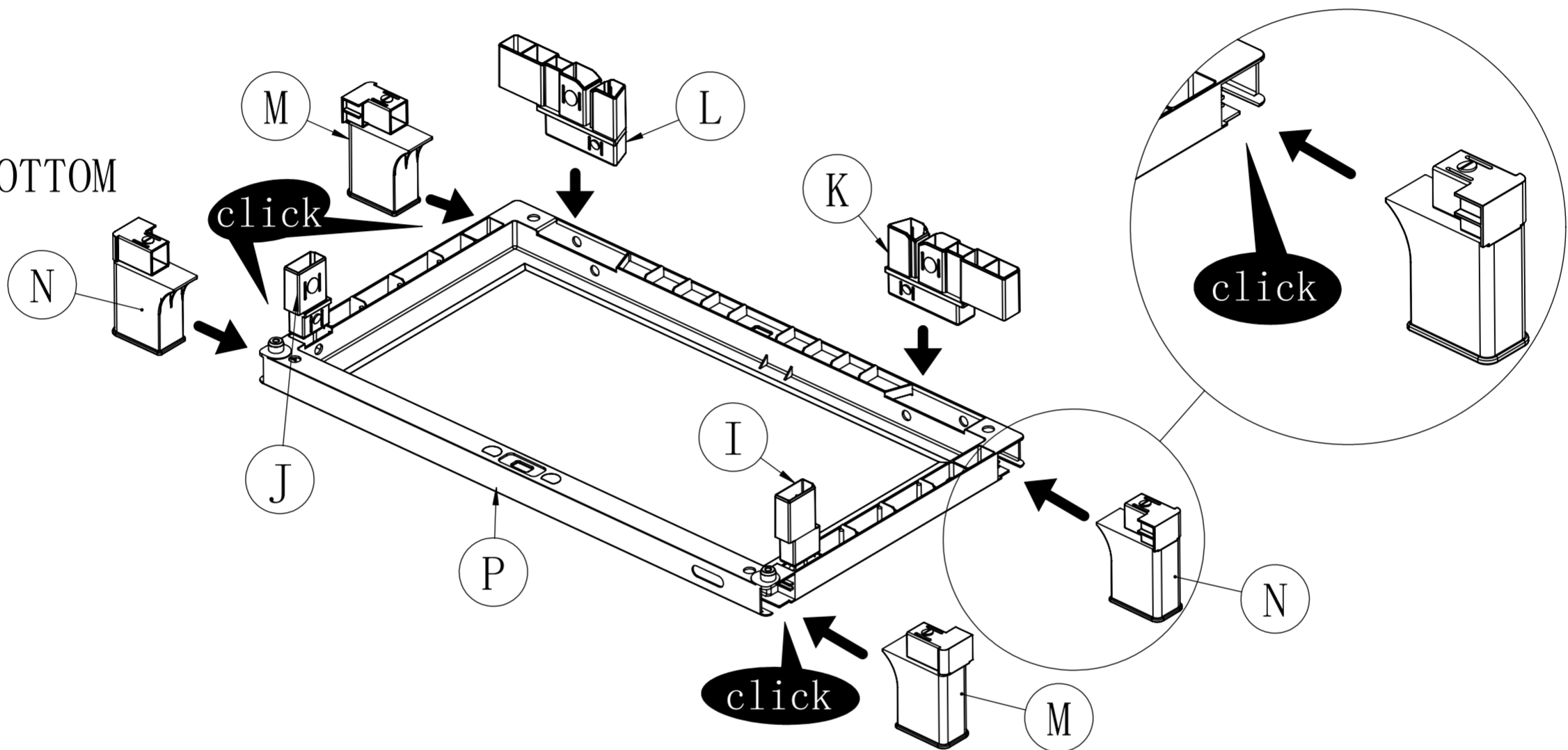
The lifespan will reduce under prolonged sunshine and raining.

 <p>(A)</p> <p>(or)</p> <p>RATTAN DOOR PLATE1×1</p>	 <p>(A)</p> <p>WAVE DOOR PLATE1×1</p>	 <p>(B)</p> <p>(or)</p> <p>RATTAN DOOR PLATE2×1</p>	 <p>(B)</p> <p>WAVE DOOR PLATE2×1</p>
 <p>(C)</p> <p>SIDE PLATE×2</p>	 <p>(E)</p> <p>TOP PLATE×1</p>	 <p>(I)</p> <p>TOP SIDE PLATE CONNECT (LEFT) × 2</p>	 <p>(M)</p> <p>LEG (RIGHT) × 2</p>
 <p>(D)</p> <p>BACK PLATE×1</p>	 <p>(F)</p> <p>SHELF (LONG) × 1</p>	 <p>(J)</p> <p>TOP SIDE PLATE CONNECT (RIGHT) × 2</p>	 <p>(N)</p> <p>LEG (LEFT) × 2</p>
 <p>(G)</p> <p>HANDL (LEFT) × 1</p>	 <p>(K)</p> <p>TOP BACK CONNECT (LEFT) × 2</p>	 <p>(O)</p> <p>ADORNMENT BLOCK× 10</p>	 <p>(H)</p> <p>HANDL (RIGHT) × 1</p>
 <p>(L)</p> <p>TOP BACK CONNECT (RIGHT) × 2</p>	 <p>(P)</p> <p>BOTTOM PLATE×1</p>		

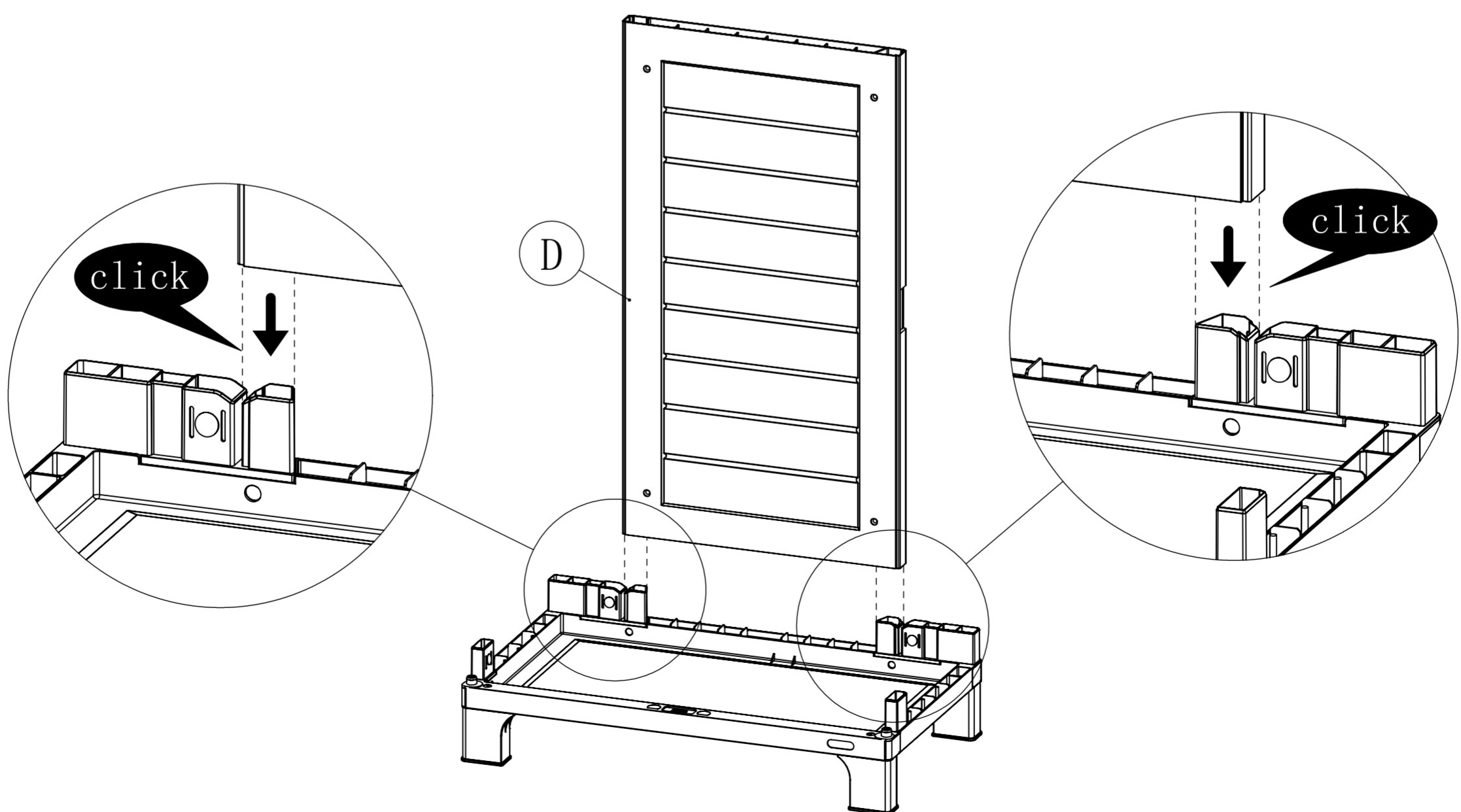
1 TOP



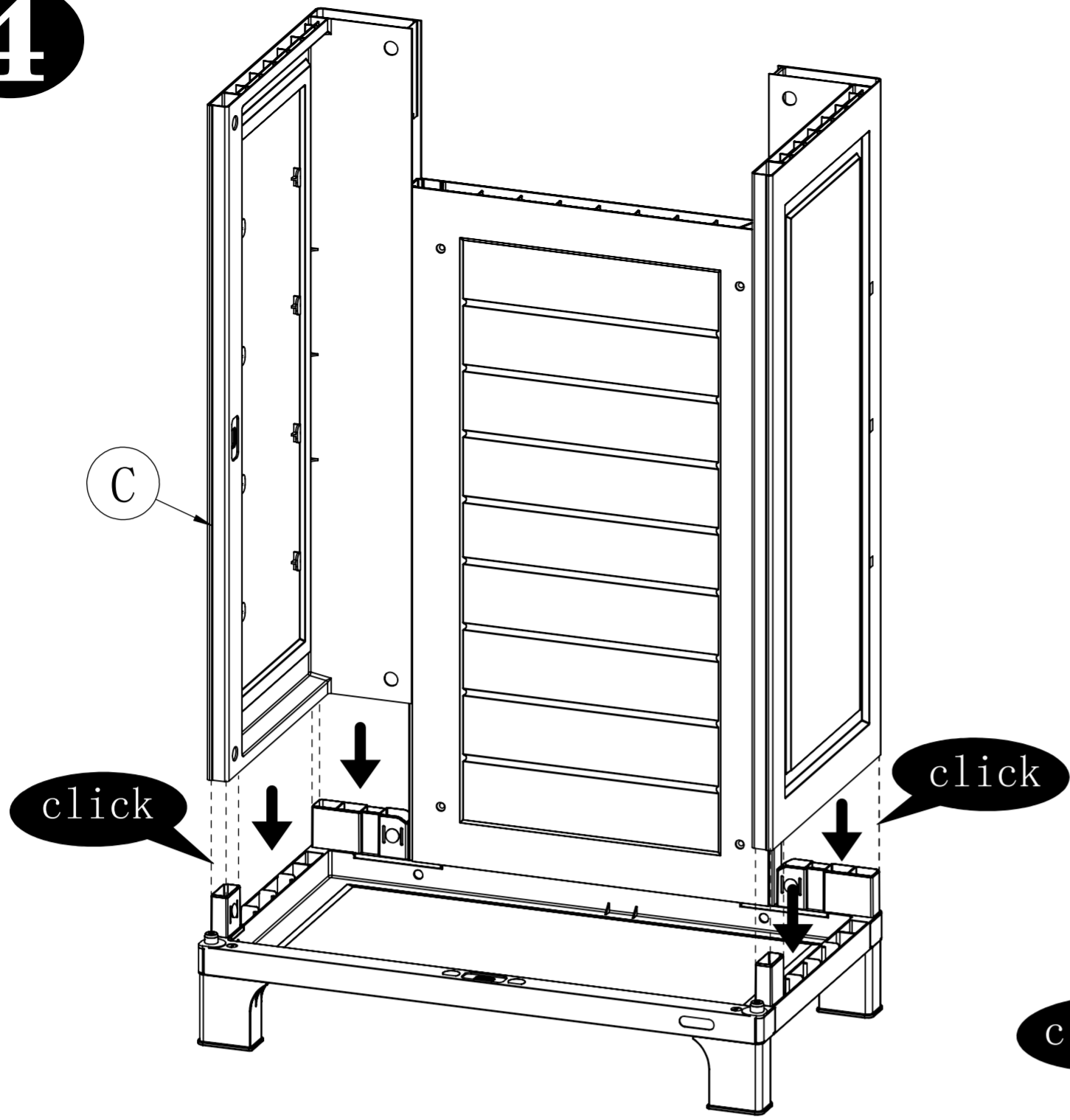
2 BOTTOM



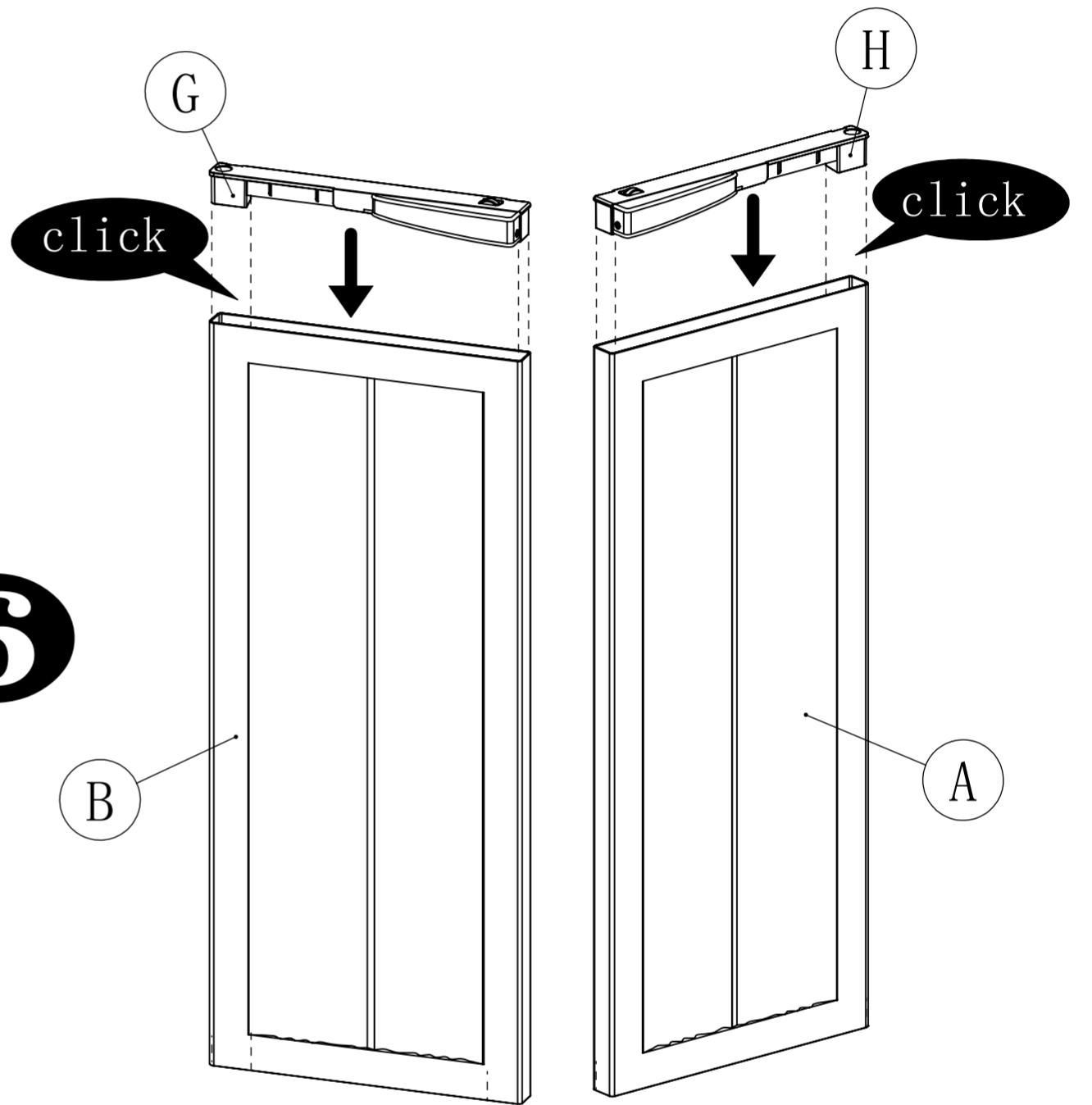
3



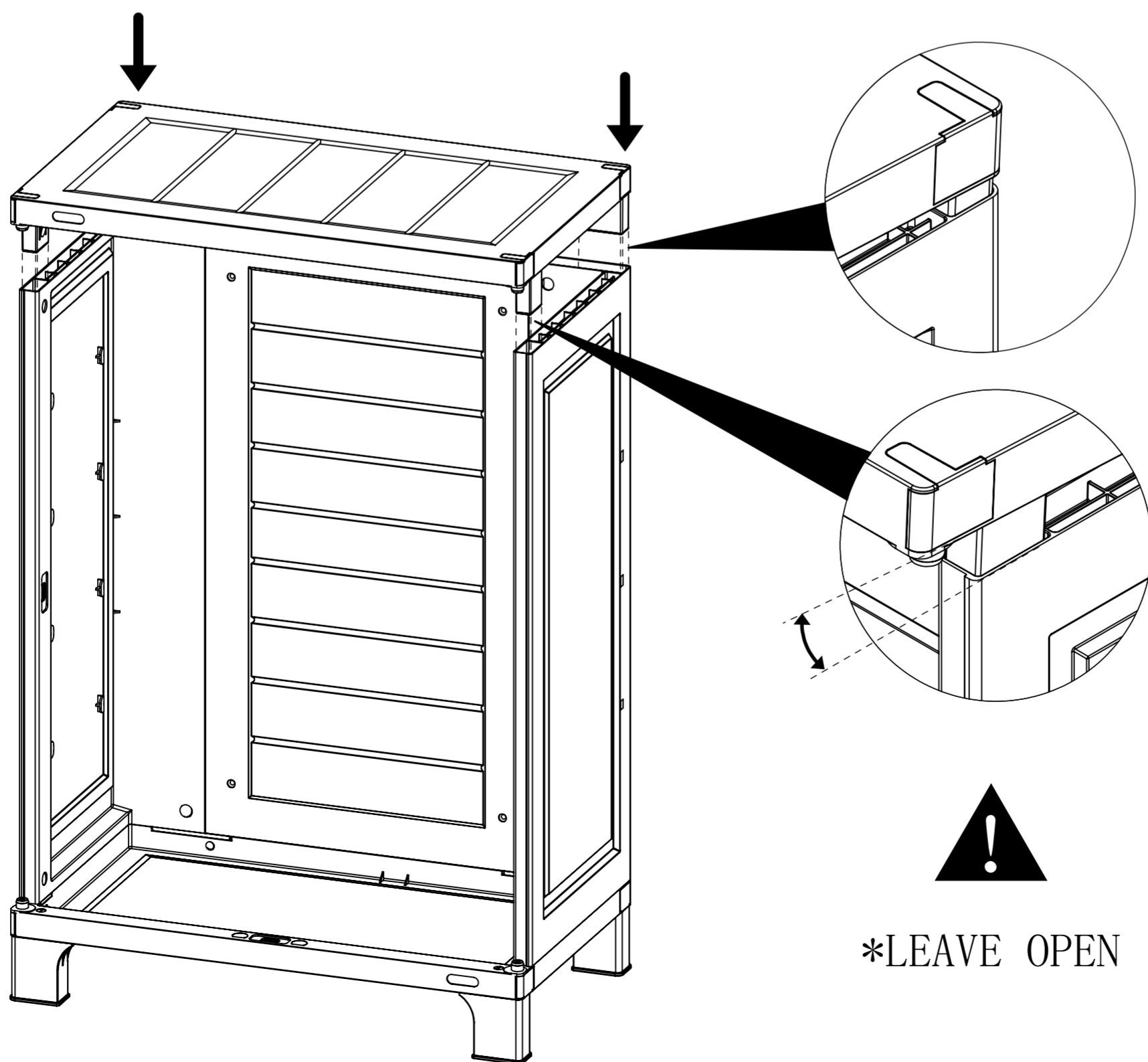
4



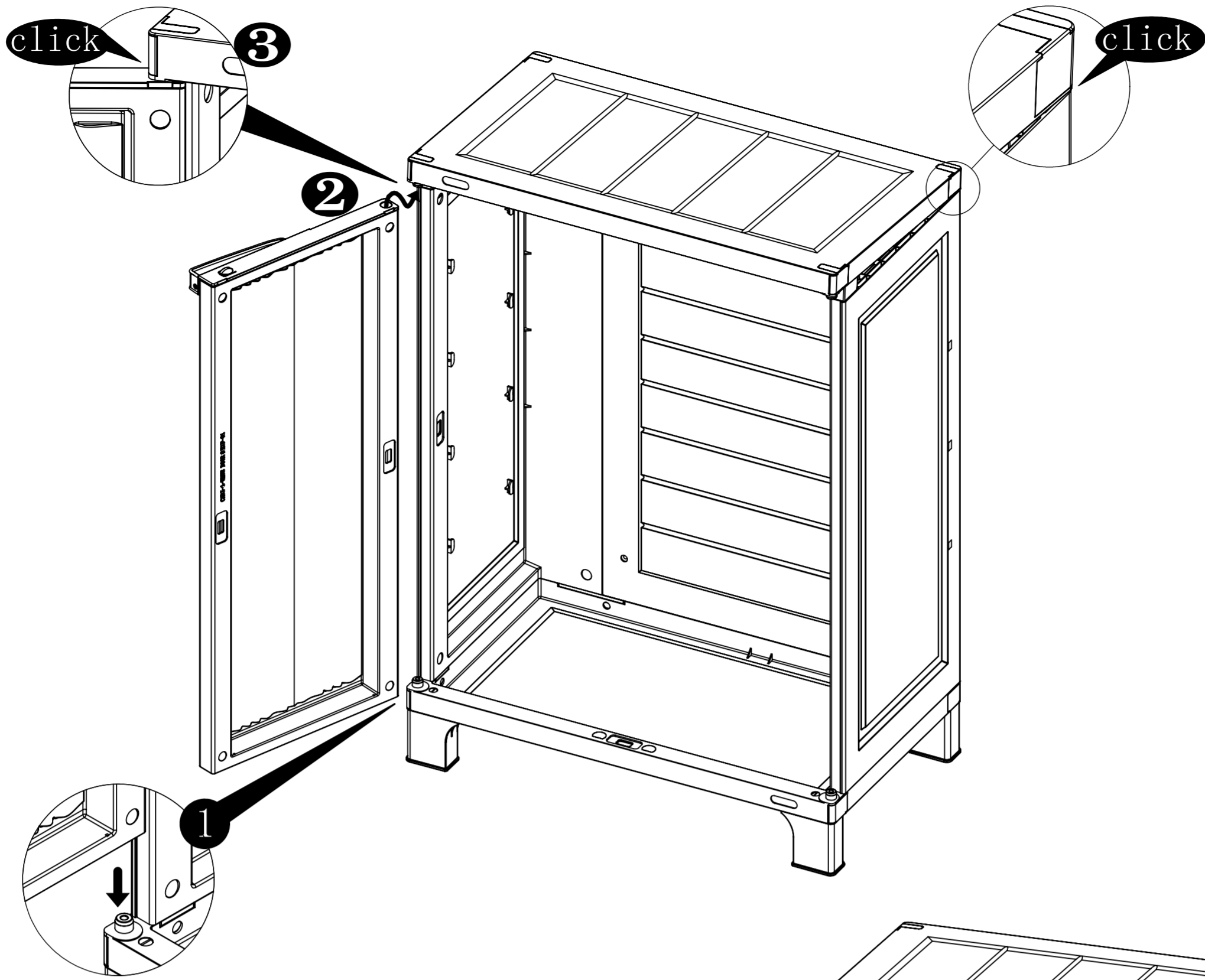
6



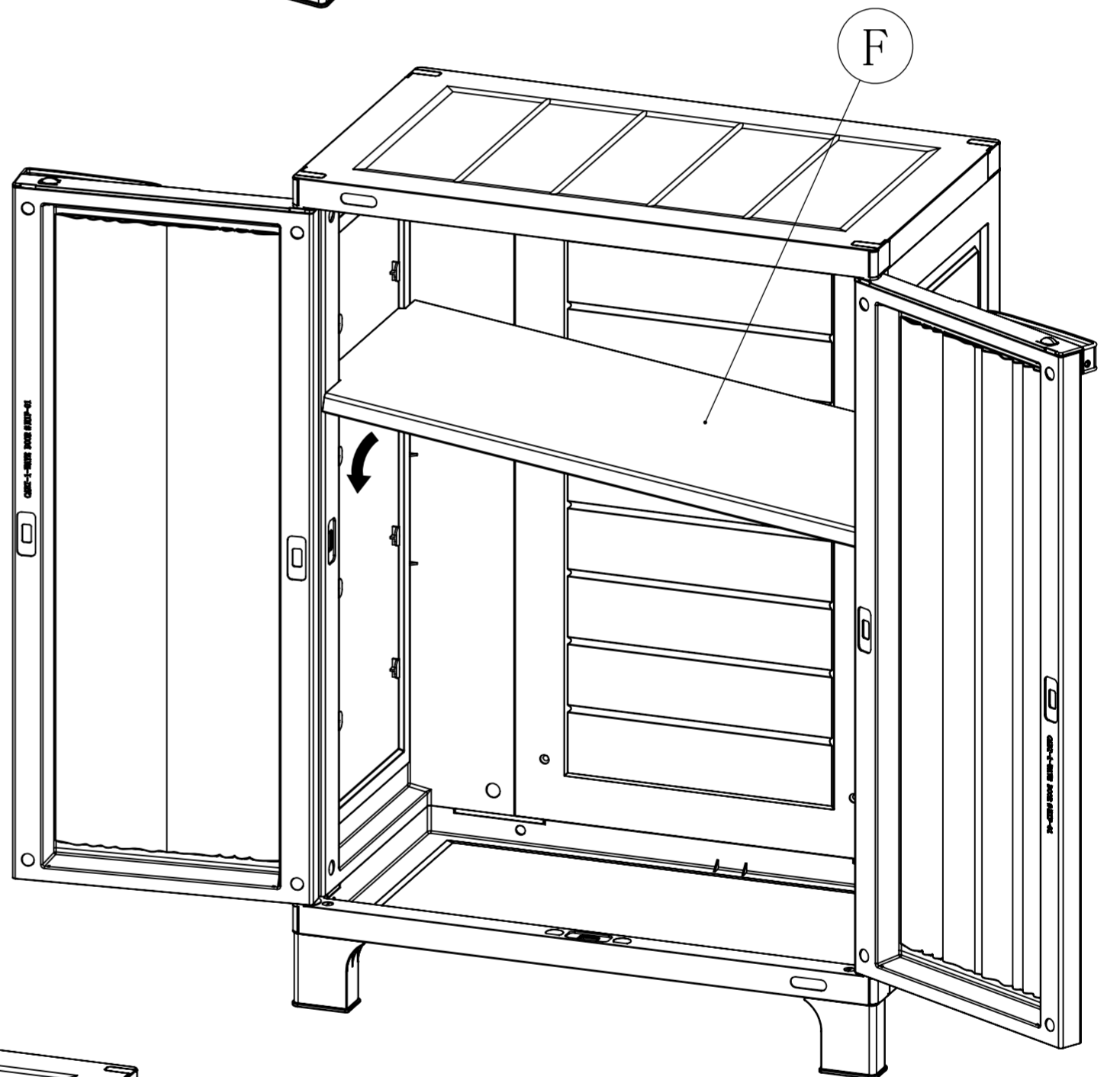
5



7



8



9

