

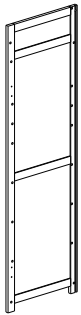
ASSEMBLY INSTRUCTIONS

Please read all instructions carefully before assembly.

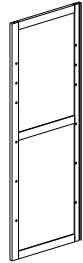
SHOE STORAGE CABINET

Model : SS-BM-LOUVER-3DST

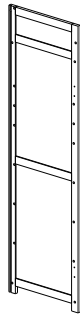
Parts and Hardware



1 1pc
Right-side frame



2 1pc
Middle frame



3 1pc
Left-side frame



4 3pcs
Door panel



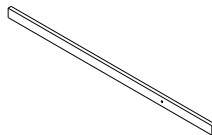
5 1pc
Rear support post



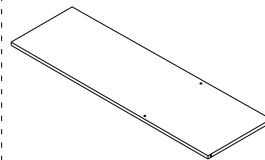
6 3pcs
Rear panel



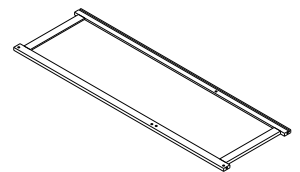
7 3pcs
Door knob



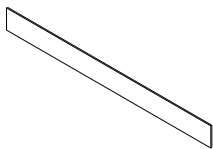
8 1pc
Top beam bar



9 1pc
Top panel



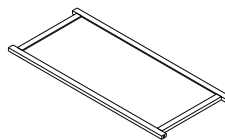
10 1pc
Base panel



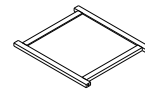
11 1pc
Top rear board



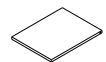
12 2pcs
Magnetic door catch



13 5pcs
Long shelf



14 2pcs
Short shelf



15 1pc
Storage box top



16 1pc
Storage box side panel



17 1pc
Storage box front panel



18 3pcs
Door gasket



19 8pcs
Metal rod connector



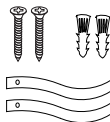
A 48pcs
Large screw



B 3pcs
Round screw



C 7pcs
Small screw



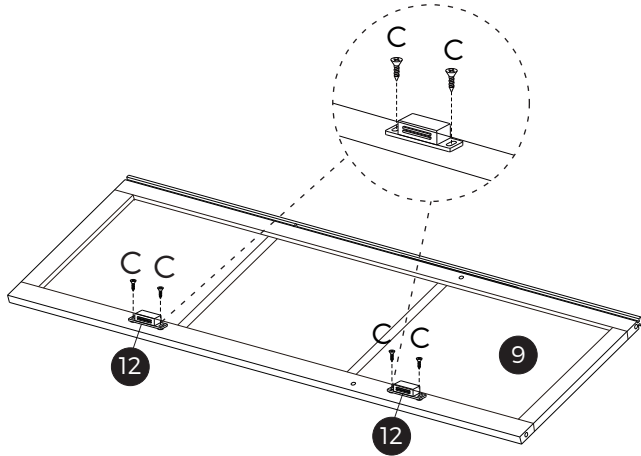
E 1 set
Wall-lock kit

NOTE:

1. Beware of burrs and sharp edges of the panels. Wear gloves if necessary.
2. A screwdriver (not included) is required for the assembly process.

Step 1

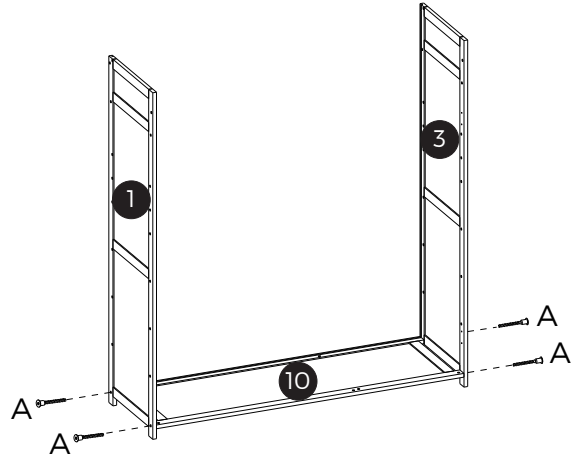
Part C
4pcs



Install Part 12 (Magnetic door catch) on Part 9 (Top panel) and secure with small screws (C).

Step 2

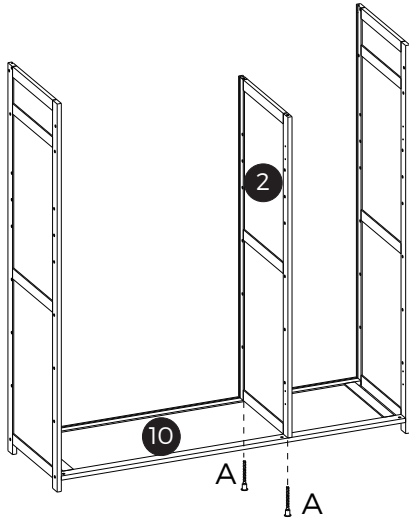
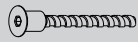
Part A
4pcs



Attach Parts 1 (Right-side frame) and 3 (Left-side frame) to Part 10 (Base panel) and secure with large screws (A).

Step 3

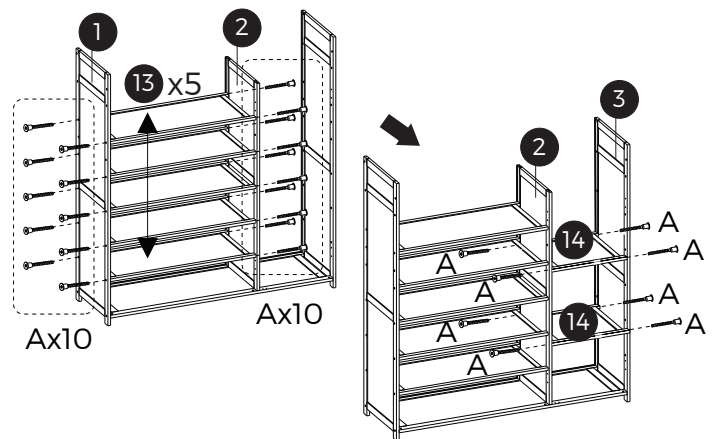
Part A
2pcs



Attach Part 2 (Middle frame) to Part 10 (Base panel) and secure with large screws (A).

Step 4

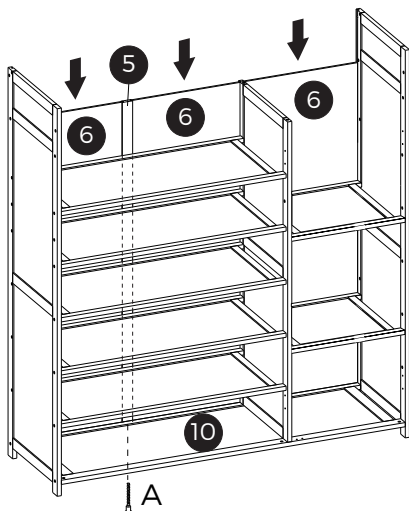
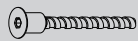
Part A
28pcs



Attach Parts 13 (Long shelf) and 14 (Short shelf) to Parts 1 (Right-side frame), 2 (Middle frame) and 3 (Left-side frame) and secure with large screws (A).

Step 5

Part A
1pc



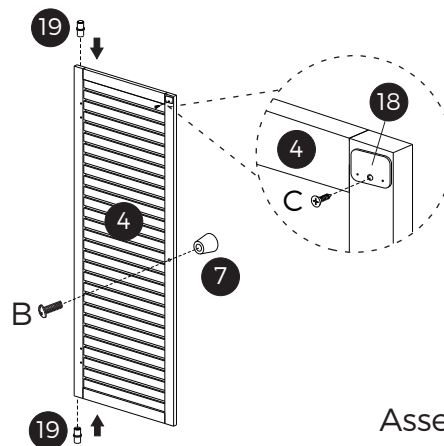
Attach Part 5 (Rear support post) to Part 10 (Base panel) and secure with large screws (A). Then insert Part 6 (Rear panel) as shown.

Step 6

Part B
3pcs



Part C
3pcs

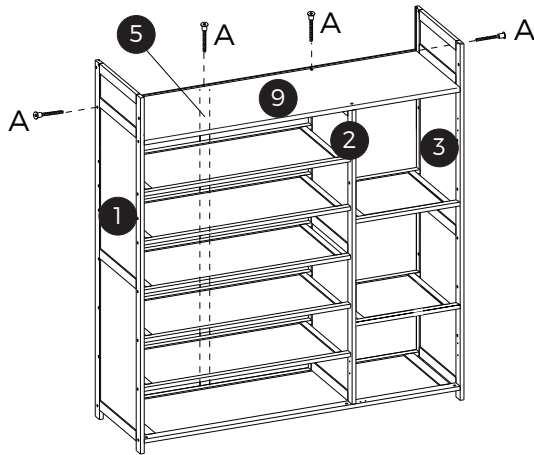


Install Part 18 (Door gasket) to Part 4 (Door panel) with small screws (B). Then insert Part 19 (Metal rod connector) and install Part 7 (Door knob) to Part 4 (Door panel).

Step 7

Part A

4 pcs



Attach Part 9 (Top panel) to Part 5 (Rear support post) and Part 2 (Middle frame) and secure with large screws (A).

Step 8

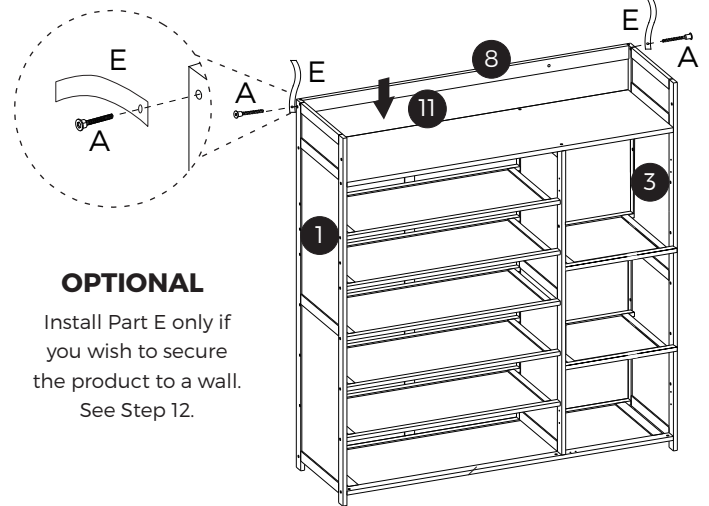
Part A

2 pcs



Part E

1 set



OPTIONAL

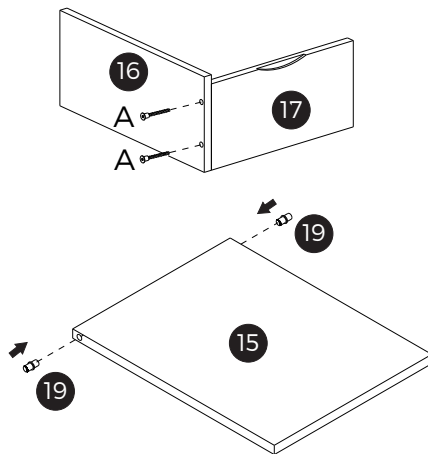
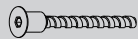
Install Part E only if you wish to secure the product to a wall. See Step 12.

Insert Part 11 (Top rear board) along the grooves and then attach Part 8 (Top beam bar) to Parts 1 (Right-side frame) and 3 (Left-side frame) with large screws (A).

Step 9

Part A

2 pcs

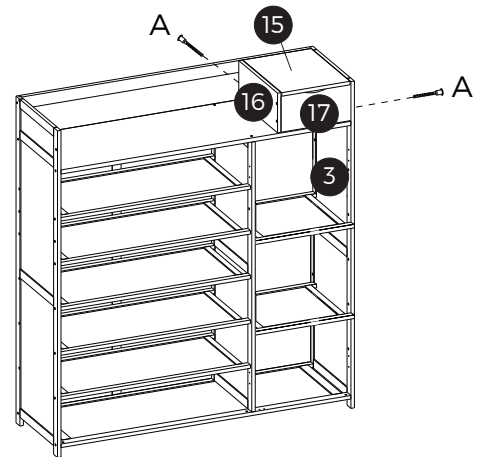
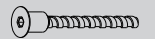


Attach Part 16 (Storage box side panel) to Part 17 (Storage box front panel) with large screws (A). Then insert Part 19 (Metal rod connector) into Part 15 (Storage box top).

Step 10

Part A

2 pcs

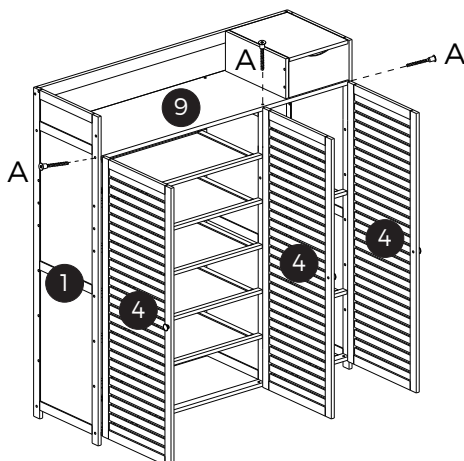
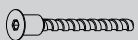


Secure Parts 15 (Storage box top), 16 (Storage box side panel) and 17 (Storage box front panel) to the top of the unit as shown with large screws (A).

Step 11

Part A

3 pcs

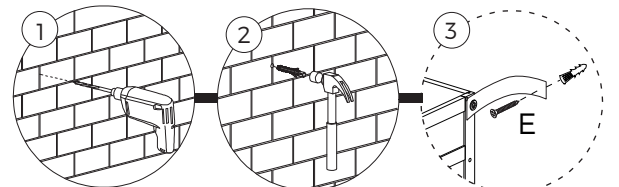


Install Part 4 (Door Panel) using Part 19 (Metal rod connector) to insert between Part 9 (Top panel) and Part 10 (Base panel). Then secure Part 9 (Top panel) with screws A.

Step 12

Part E

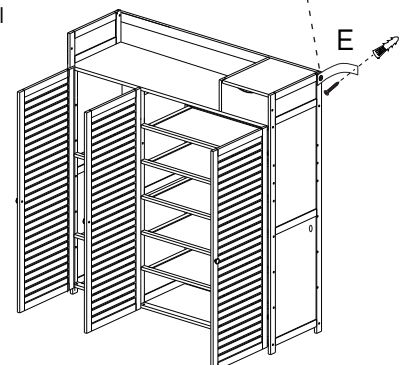
1 set



Pre-drill holes in the wall

OPTIONAL

Do this step only if you wish to secure the product to a wall. It is highly recommended that you do so for safety reasons.



CARE AND MAINTENANCE OF BAMBOO FURNITURE

GENERAL

- Periodically check all screws, bolts and joints connections and tighten them if necessary.
- Periodically check for any damage and deteriorated parts and components and seek repairs or replacements if needed.
- Do not allow any liquids to remain on the furniture as this may cause stains and allow the liquid to be absorbed into the finishes and materials.
- In some cases, this may also cause warping and/or cracking of the materials and finishes. Use coasters and placemats for all food and beverages.
- Do not place hot items, such as dishes, pots and cups, directly on the furniture. Use coasters and placemats for all food and beverages.
- Keep sharp and pointed objects away from furniture to avoid damaging the surface and finish.
- Do not place the furniture near hot objects, heating vents or heating equipment.
- Do not place the furniture in moist areas such as bathrooms to prevent water damage.

CLEANING AND CARE

- Dust the furniture regularly using a soft cloth or microfibre duster to prevent dust build-up. Consider using a vacuum cleaner to thoroughly clean it.
- Only wipe and clean with a soft, damp cloth with a mild cleaning detergent. Use a toothbrush to clean hard-to-reach spots.
- Allow the washed furniture to dry in the shade rather than in the sun which can dry out bamboo too quickly.
- Do not use a jet wash as this can damage the material.
- Do not use chemicals with bamboo furniture as it may cause unnecessary staining.
- If there are stains or liquid spills, clean it immediately to reduce the likelihood of the stain settling in and becoming permanent.

ENVIRONMENTAL

- Do not expose the furniture to direct sunlight. Use curtains and blinds to shield the furniture if direct sunlight is unavoidable.
- In dry or hot indoor conditions, wipe the furniture with a cool, damp sponge often to prevent cracking.
- Bamboo furniture is prone to damage and fade with prolonged exposure to extremely high or low humidity conditions. Do not place them in such extreme conditions.
- Bamboo is porous and susceptible to moulding where placed around moist areas. As an optional protection for bamboo furniture, apply a bamboo sealant/varnish on it for durable protection against scratches, water, UV rays and other weather elements.

HANDLING

- Do not drag, push or pull furniture when moving them. Lift them up to avoid damage to the furniture legs and scratches on floors.
- Do not sit on wet bamboo furniture as this will cause it to stretch or sag.
- Avoid sitting or standing on armrests or use the furniture as a stepping stool for safety reasons.
- Do not exceed the recommended weight capacities of the furniture specified.
- Do not use the furniture for any purpose other than what is intended for.

⚠ WARNING



Children have died from furniture tipover.

- ALWAYS secure this furniture with an anchor device.
- NEVER allow children to stand, climb or hang on drawers, doors, or shelves.
- NEVER open more than one drawer at a time.
- Place heavy items down low.

NEVER put a TV on this furniture 

ATTENTION

• Notice:

Recommended weight capacity: Each shelf rack: **12kg**
Assembly must be done by adults. Check the product regularly for any damage.
Keep away from any hazardous contents.

- **Caution:** Do not place the bamboo product in extremely dry or humid environments. Bamboo is prone to cracking in moisture content under 6% or above 16%.