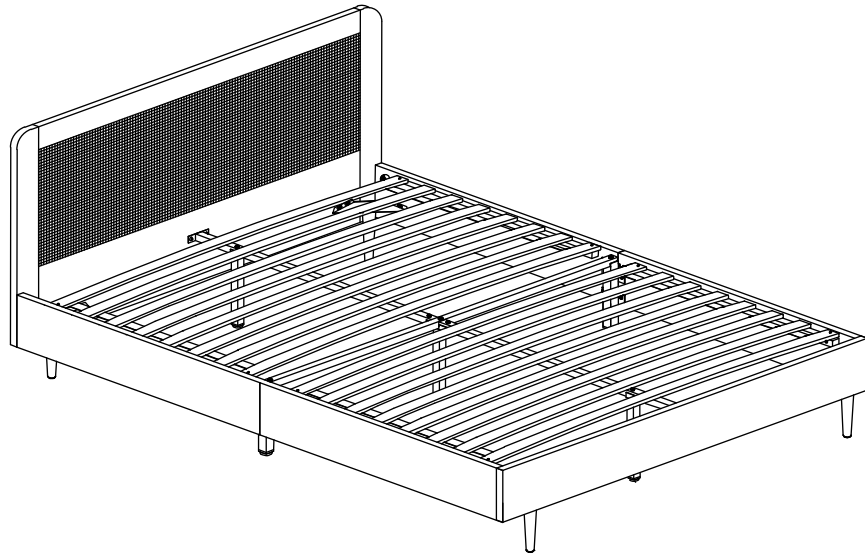


BED FRAME

MODEL:BF-LUNA-Q-WD/BK



ASSEMBLY INSTRUCTIONS

Please read instructions carefully before assembly.

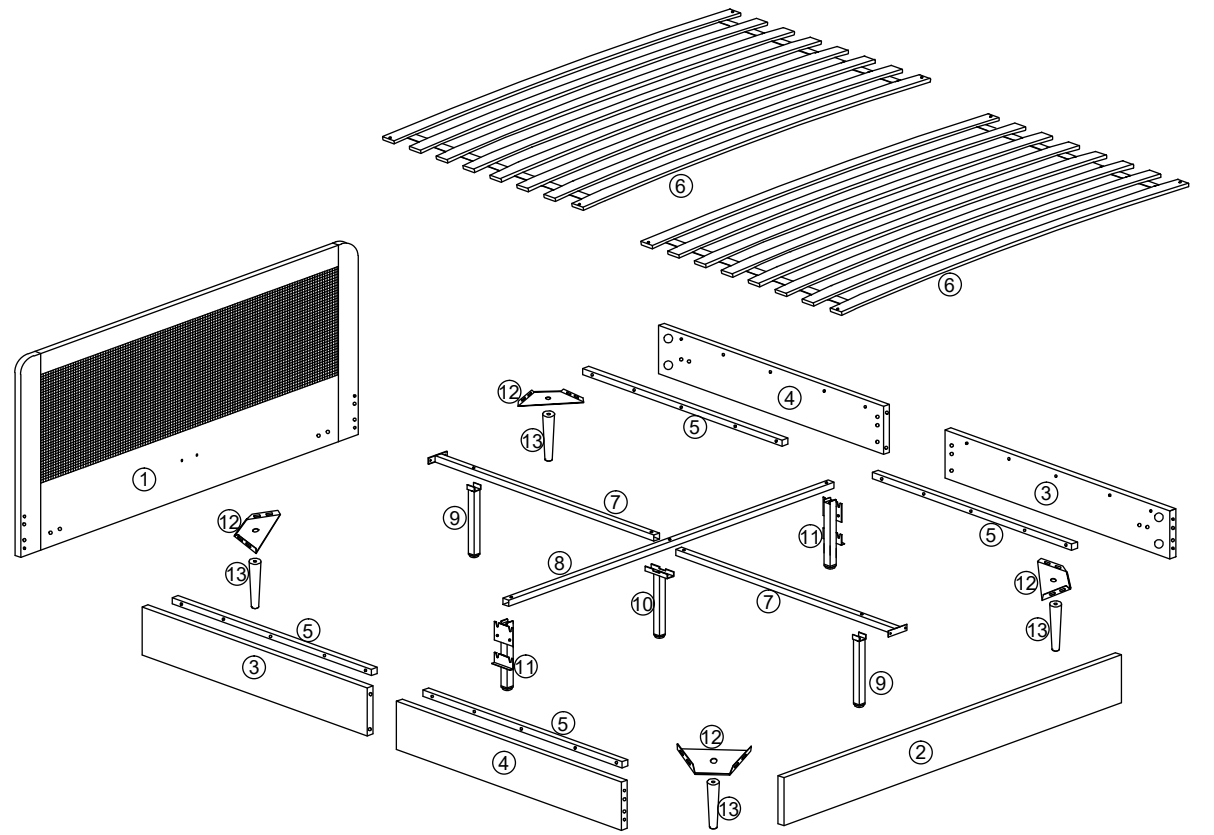


HARDWARE

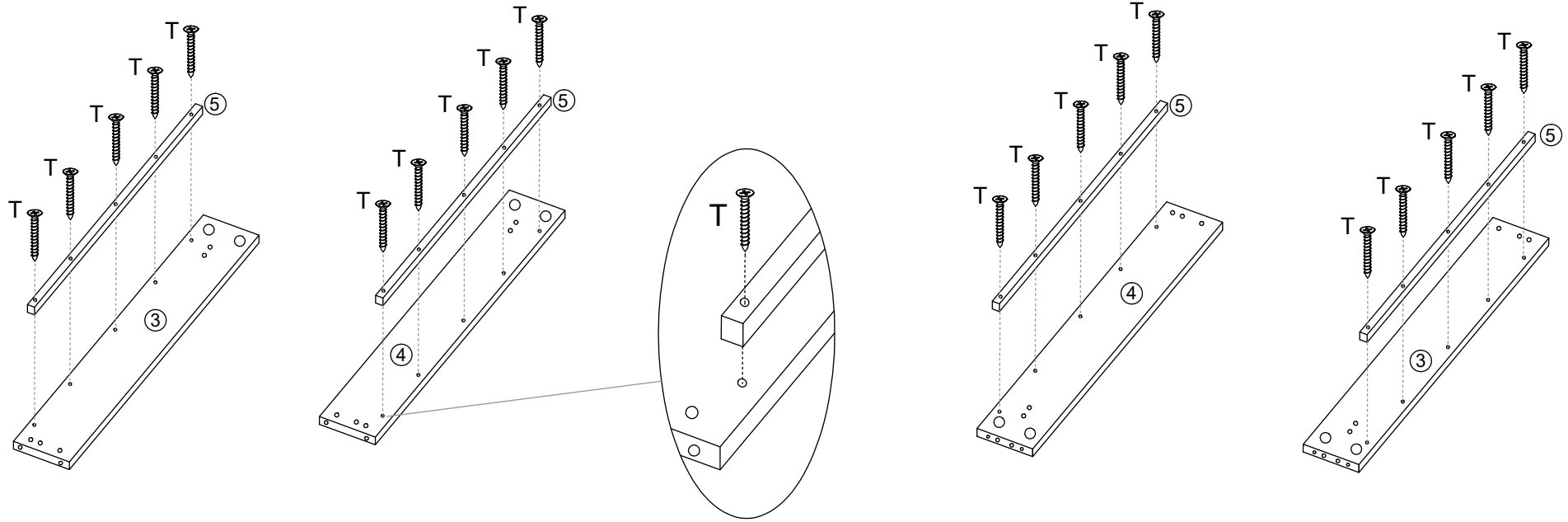
A x4	B x28	C x4	D x7	E x4	F x4	G x8
M6x80mm	M6x20mm	M8x30mm	M8x40mm	M4x14mm	M6x60mm	
H x8	I x28	J x28	K x1	L x1	M x1	N x4
6mm	6mm	6mm	4mm	5mm	10mm	
O x4	P x4	Q x8	R x4	S x8	T x20	
8mm	8mm	Ø8x30mm	Ø8x50mm	M4x30mm	M4x40mm	


PARTS

Wipe with dry cloths

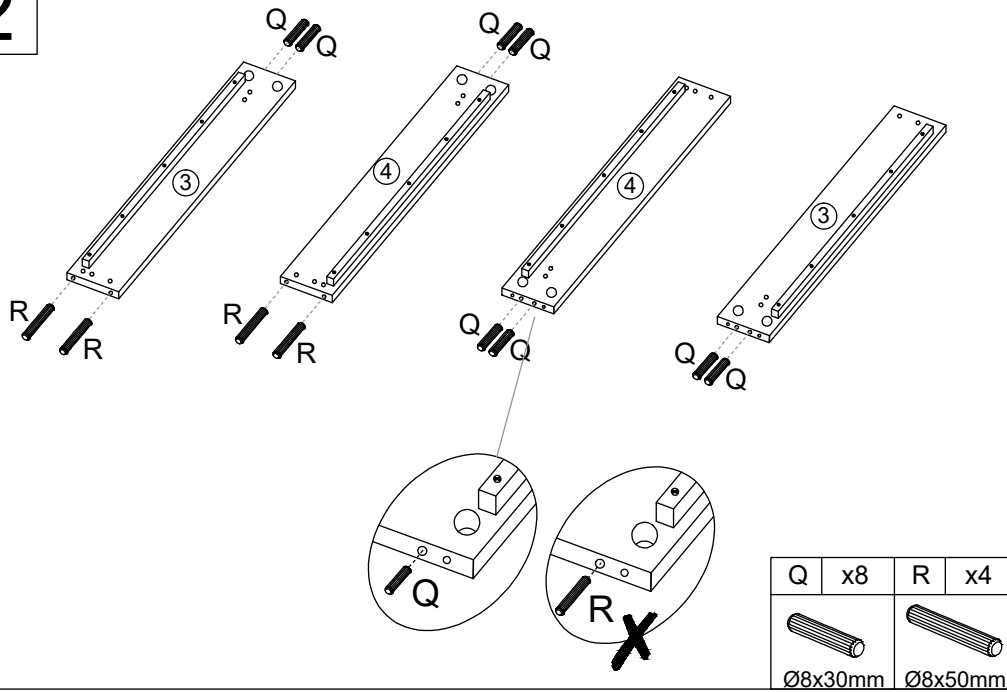


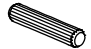
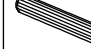
1



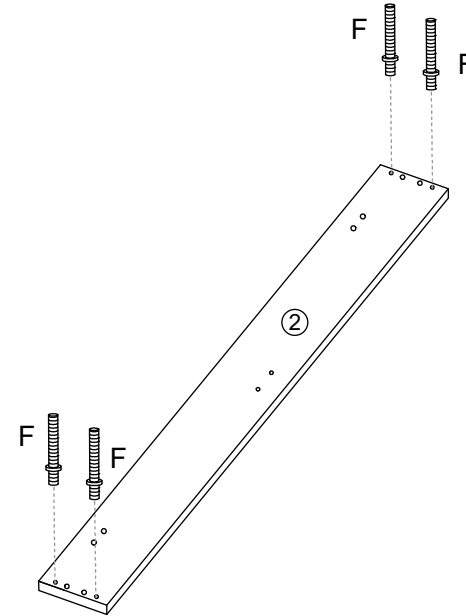
T	x20
	
M4x40mm	

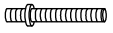
2



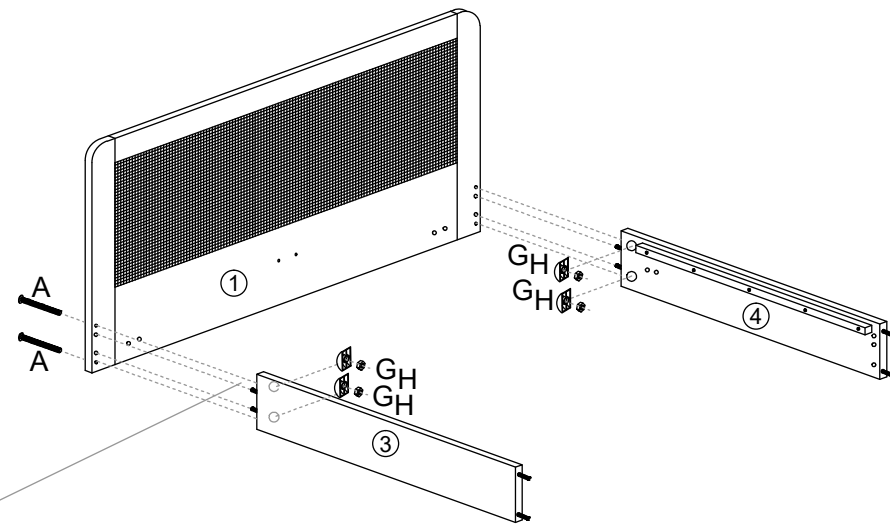
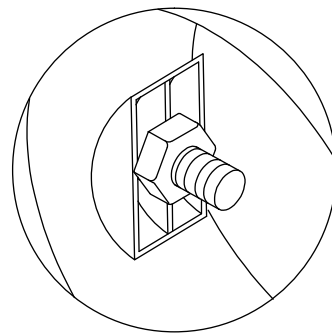
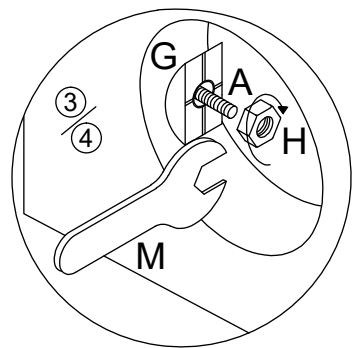
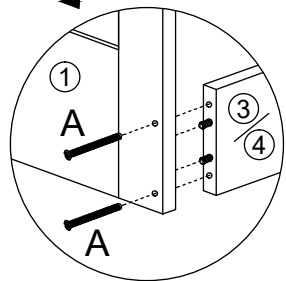
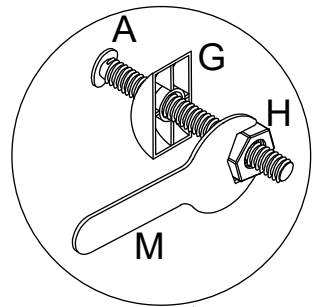
Q	x8	R	x4
			
Ø8x30mm		Ø8x50mm	



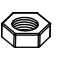

3



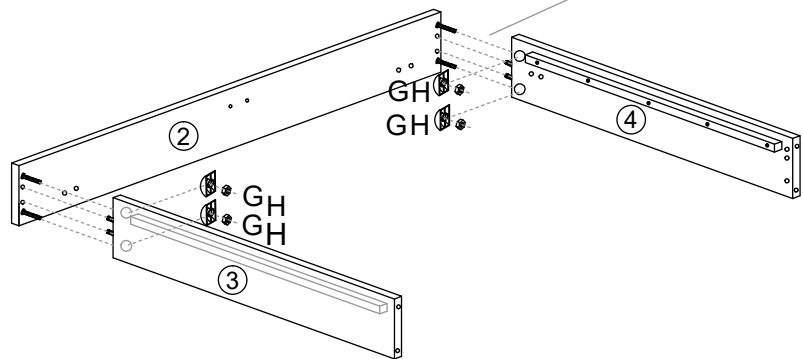
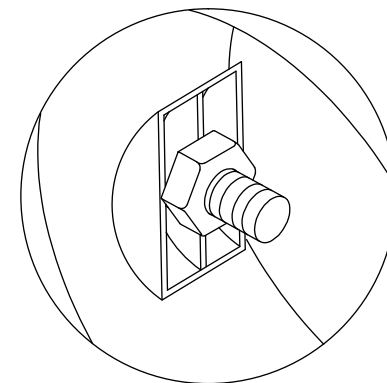
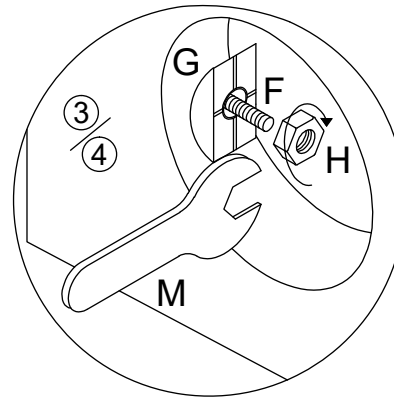
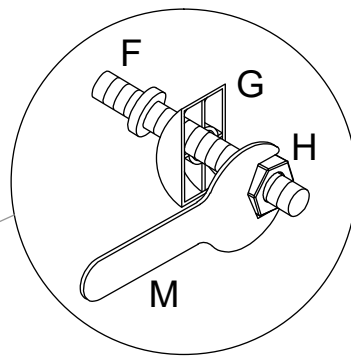
F	x4
	
M6x60mm	


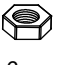

4



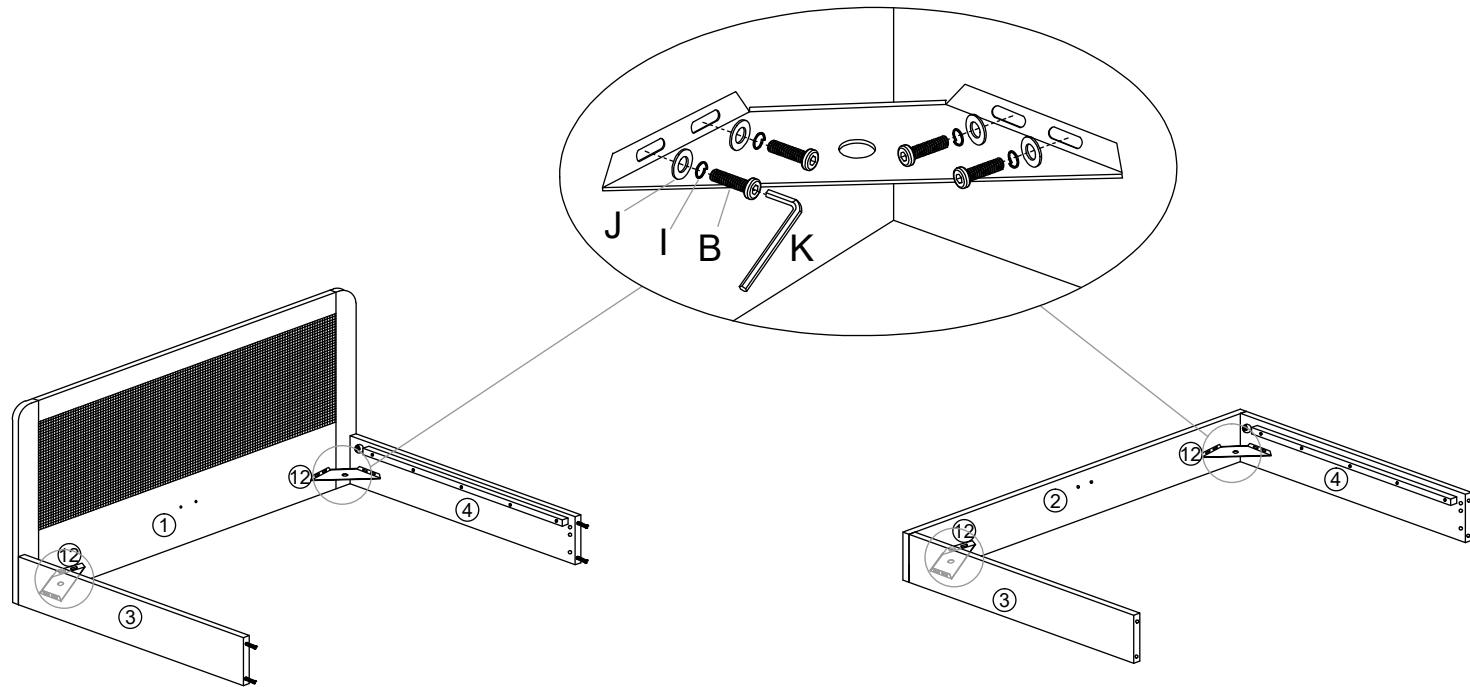
A	x4	G	x4	H	x4	M	x1
							
M6x80mm				6mm		10mm	





5



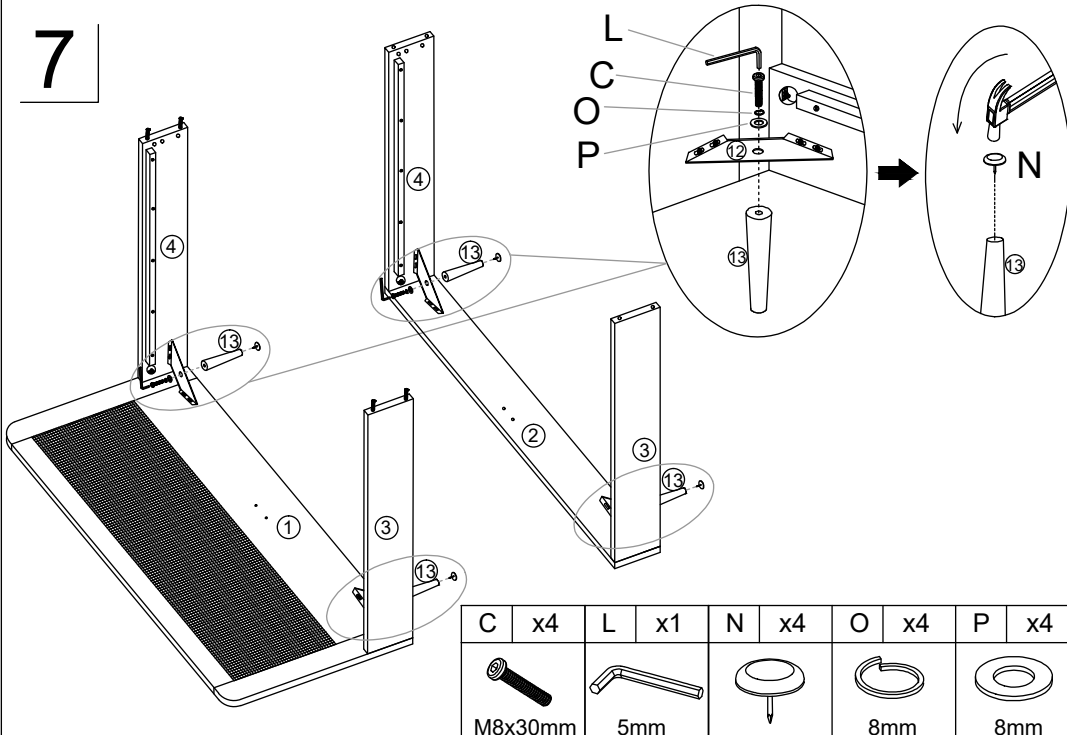
G	x4	H	x4	M	x1
					
		6mm		10mm	






6



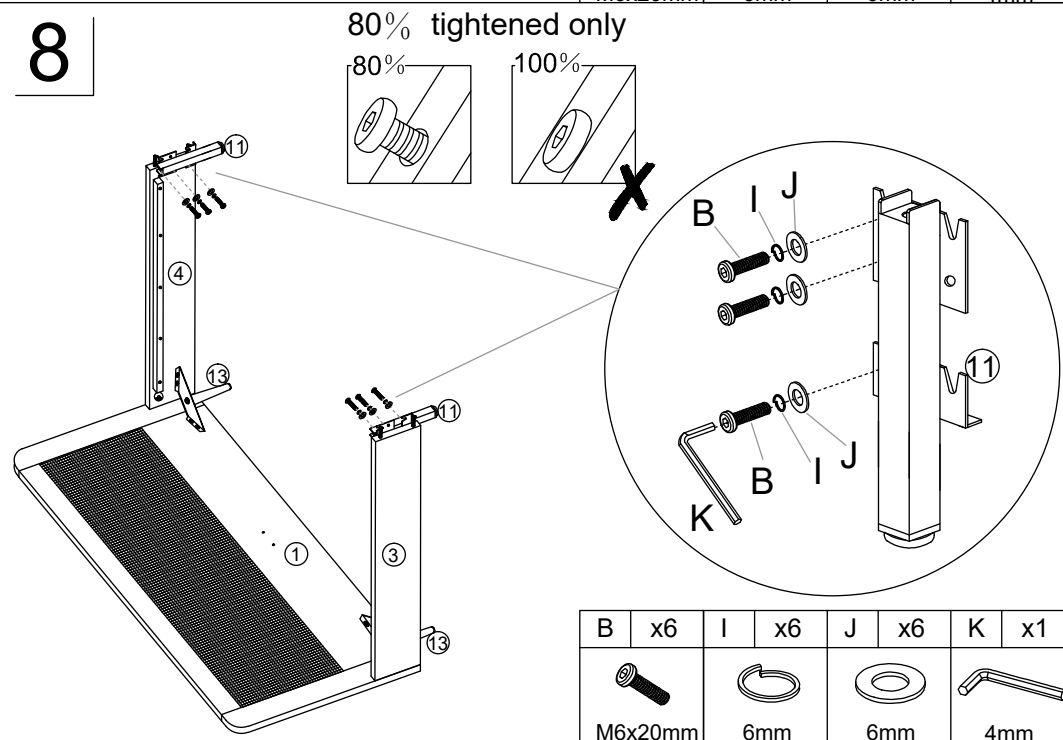
B	x16	I	x16	J	x16	K	x1
							
M6x20mm		6mm		6mm		4mm	





7



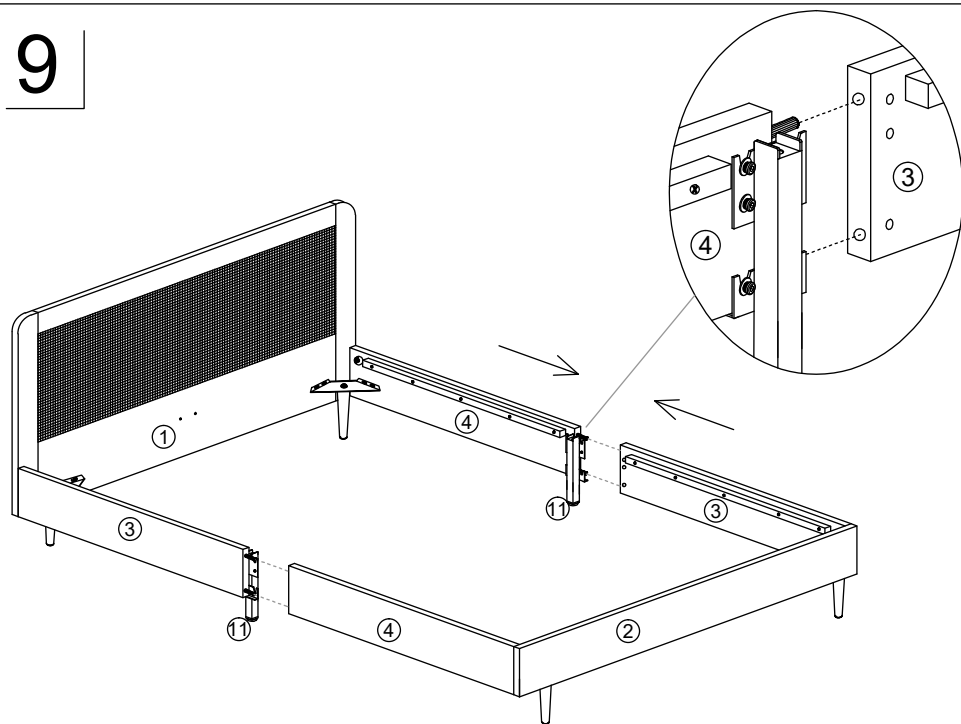
C	x4	L	x1	N	x4	O	x4	P	x4
									
M8x30mm		5mm				8mm		8mm	

8

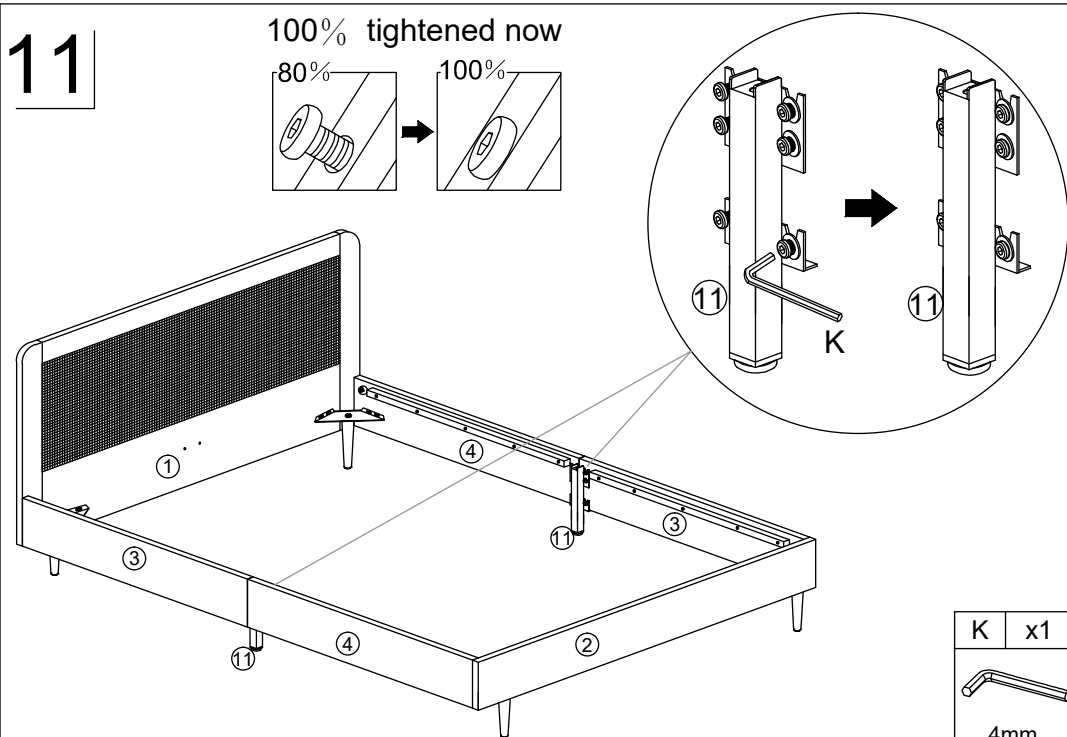


B	x6	I	x6	J	x6	K	x1
							
M6x20mm		6mm		6mm		4mm	

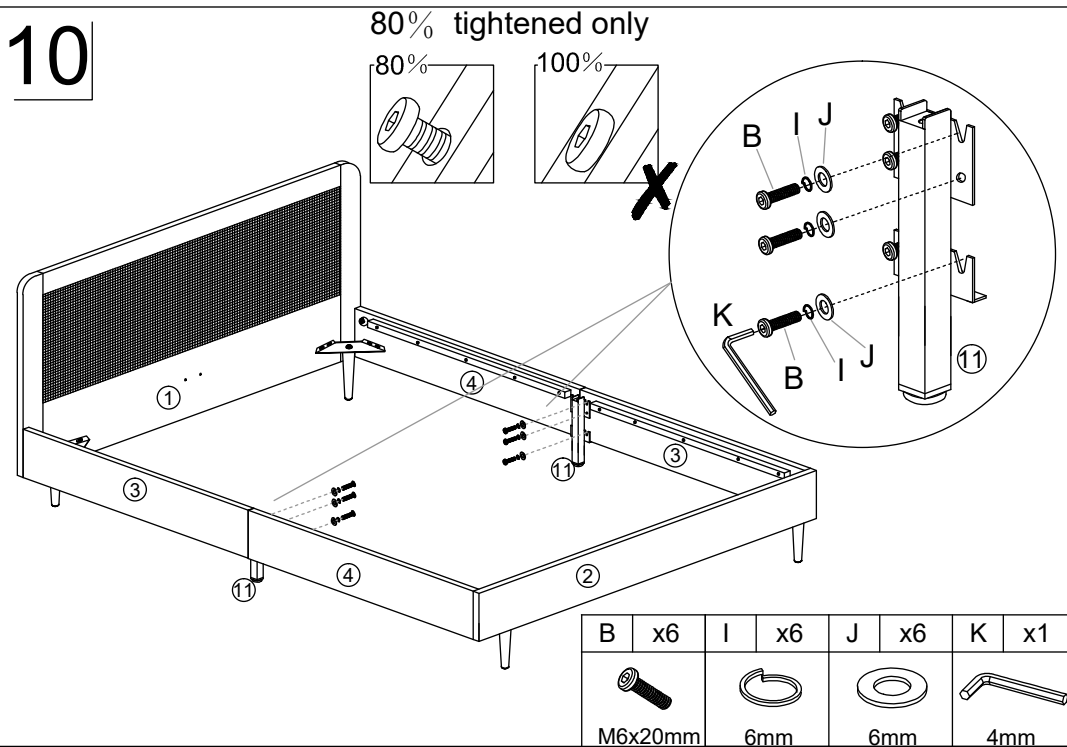
9



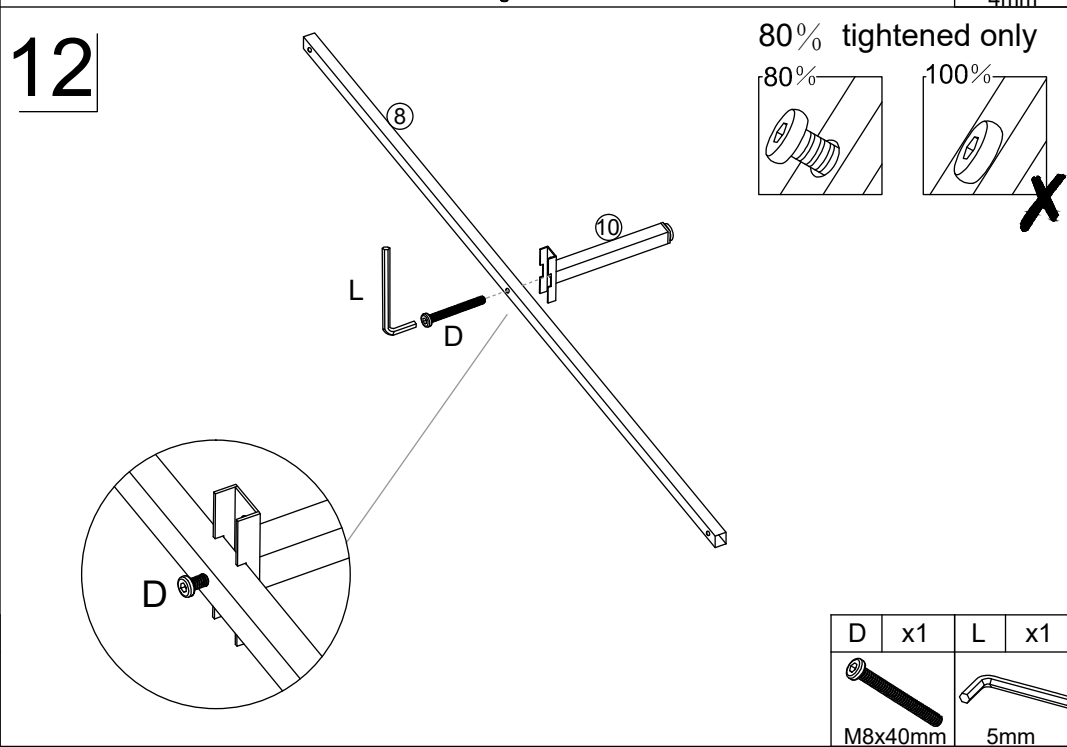
11



10

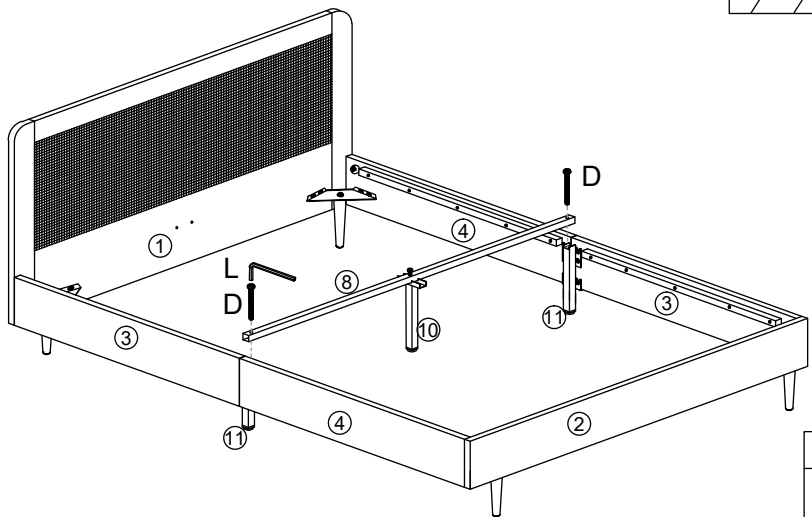
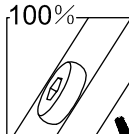
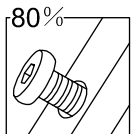


12



13

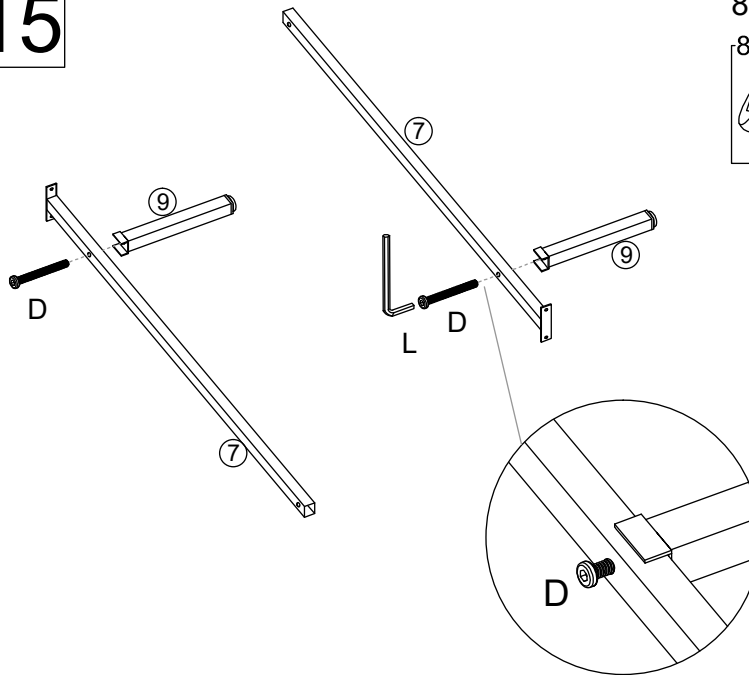
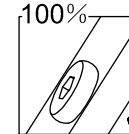
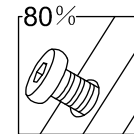
80% tightened only



D	x2	L	x1
M8x40mm		5mm	

15

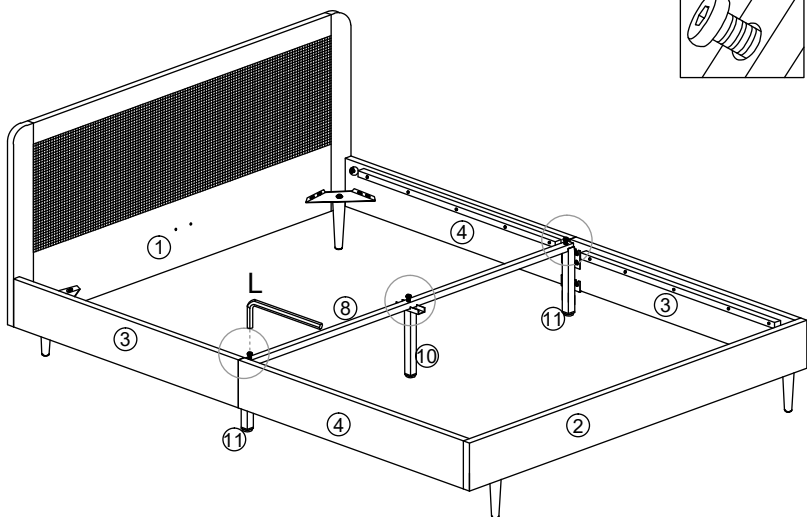
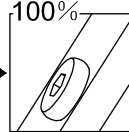
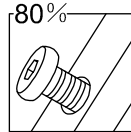
80% tightened only



D	x2	L	x1
M8x40mm		5mm	

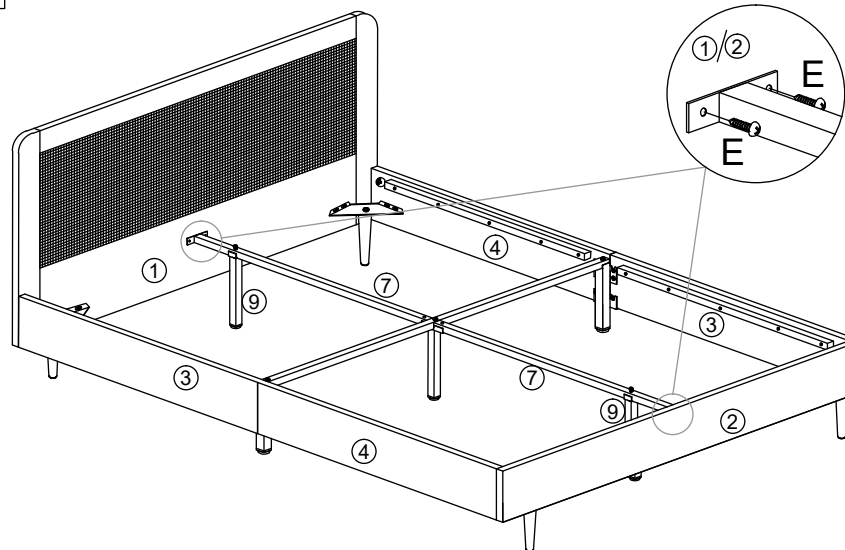
14

100% tightened now



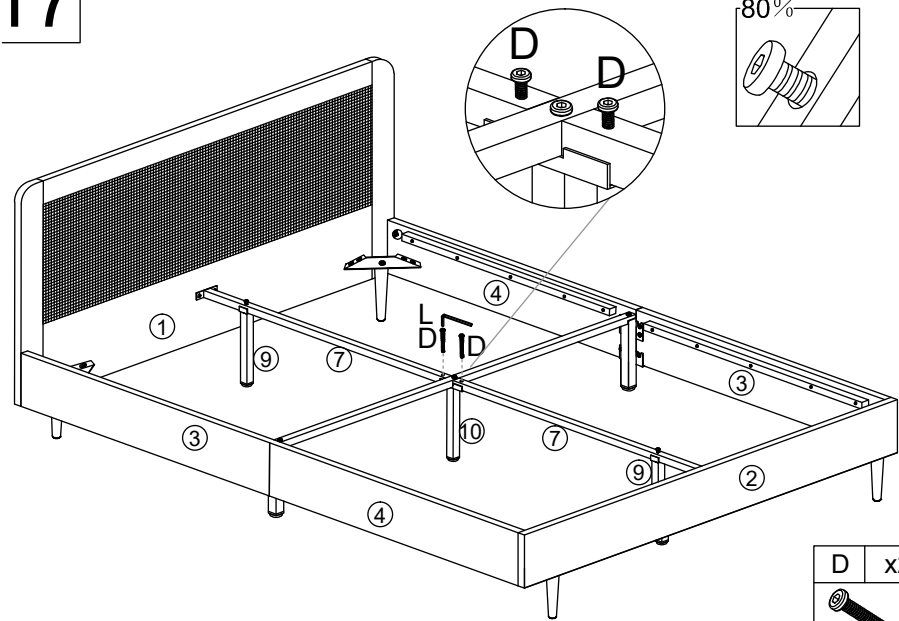
L	x1
5mm	

16

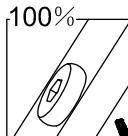
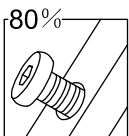


E	x4
M4x14mm	

17



80% tightened only



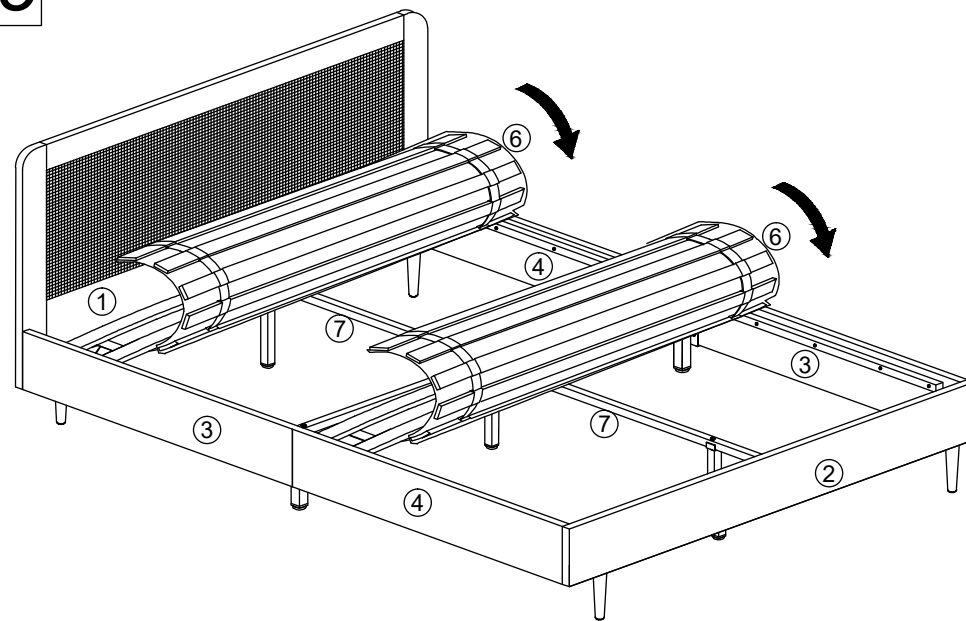
D	x2	L	x1
---	----	---	----



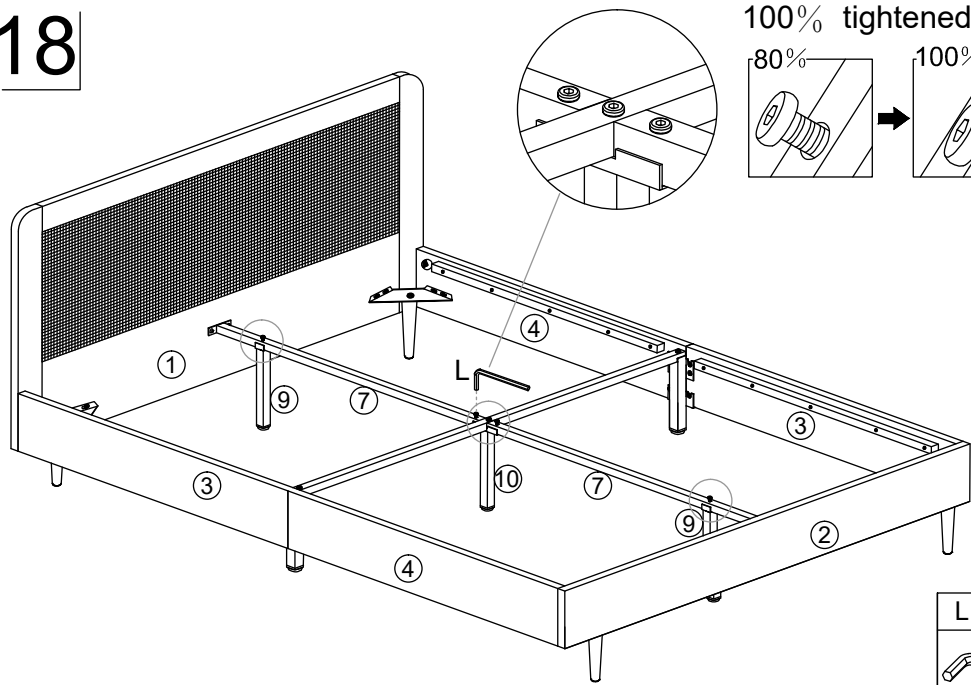
M8x40mm

5mm

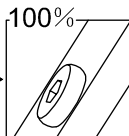
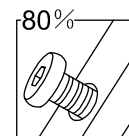
19



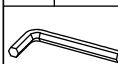
18



100% tightened now

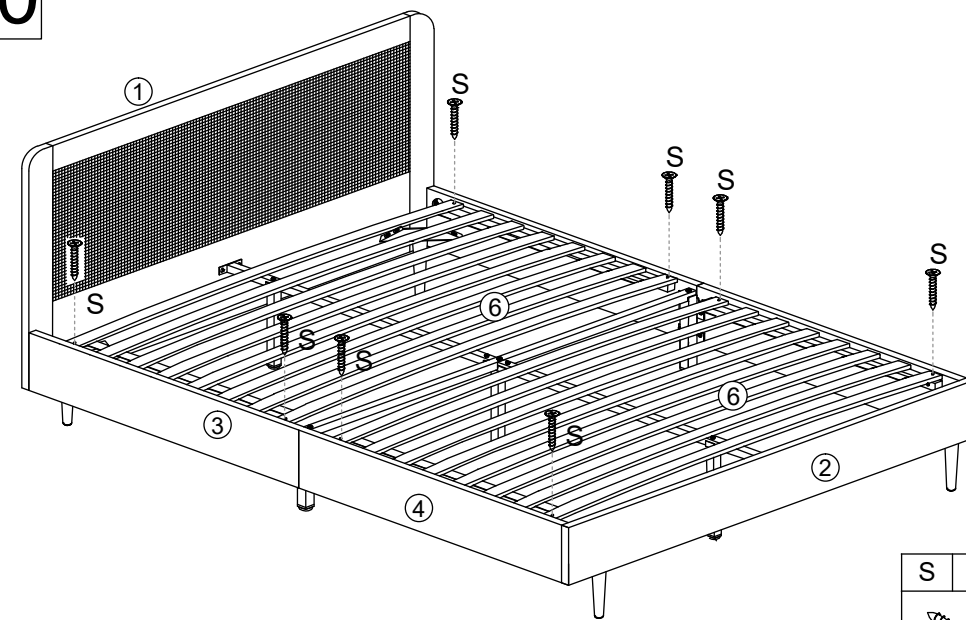


L	x1
---	----

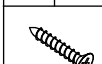


5mm

20



S	x8
---	----



M4x30mm