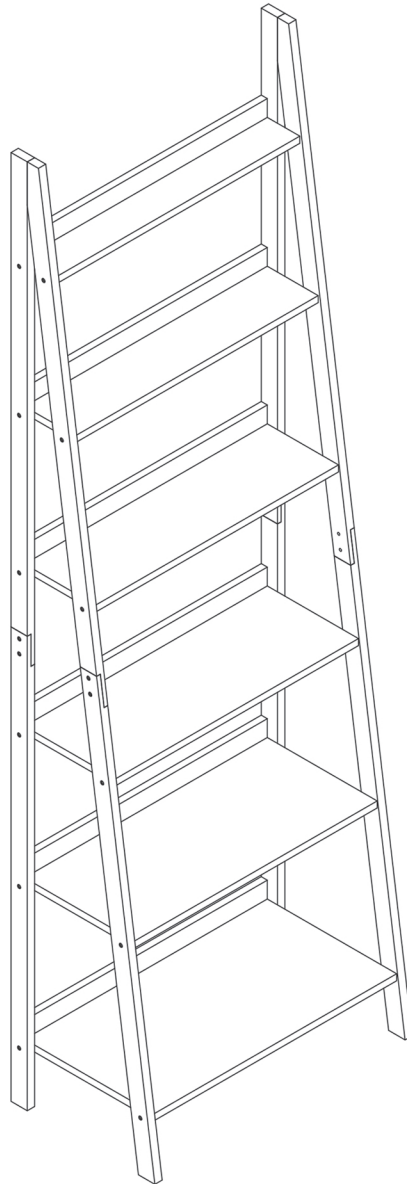


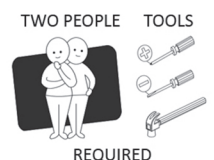
BOOKSHELF

MODEL: DS-VJ-LAD-6S

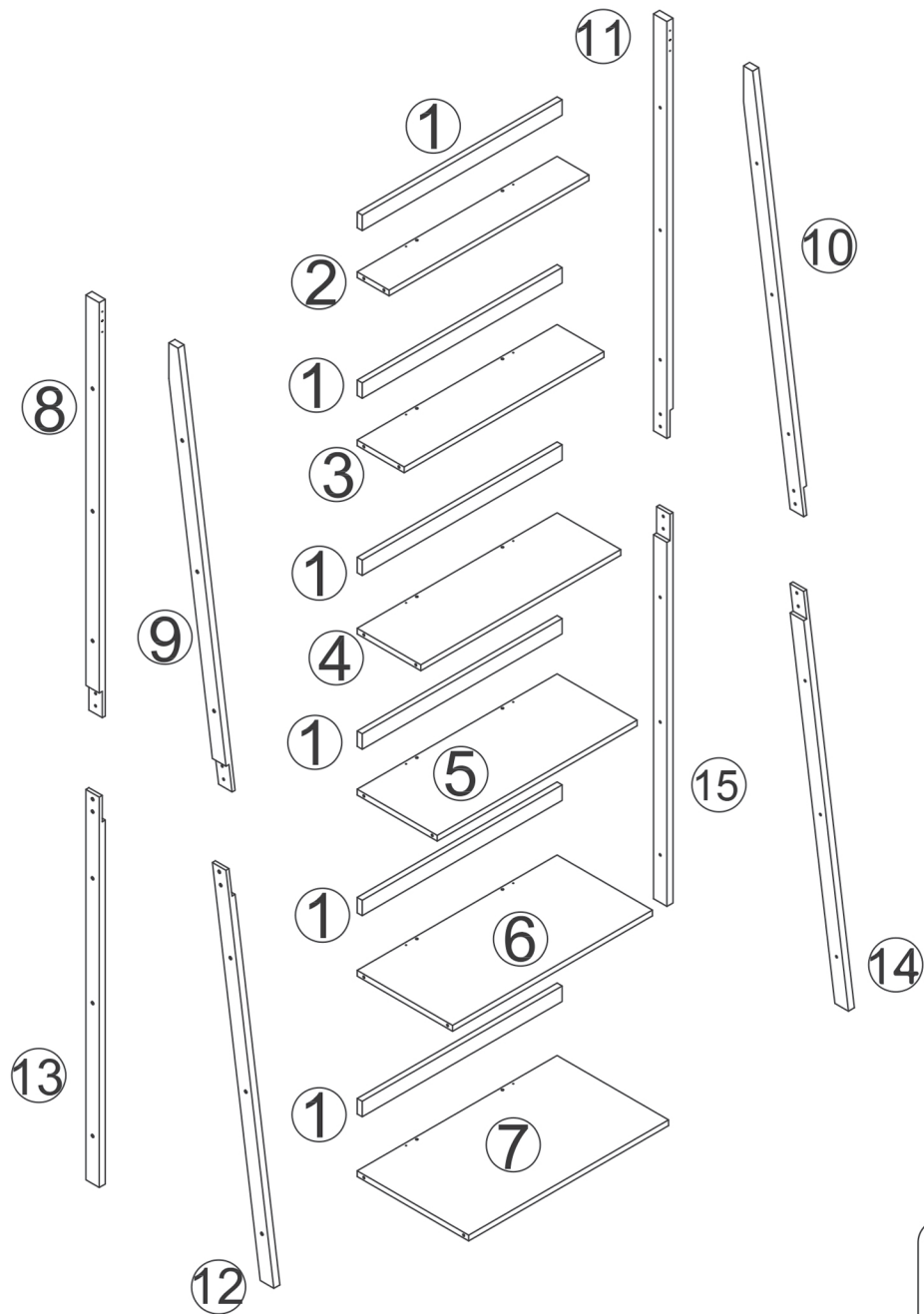


ASSEMBLY INSTRUCTIONS

Please read the instructions carefully before assembling
and using the product.

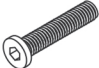

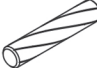












PARTS

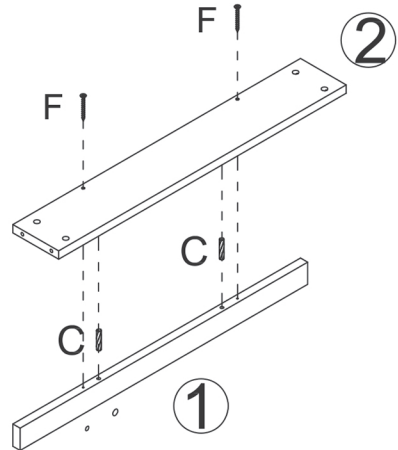
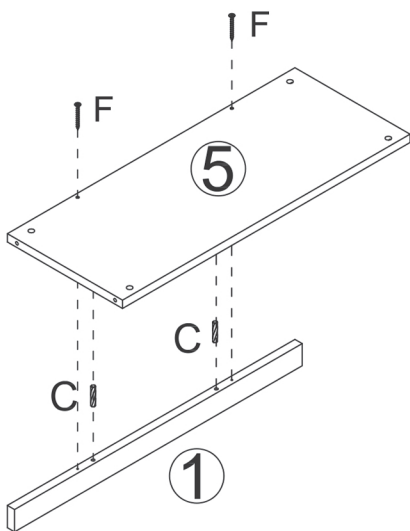
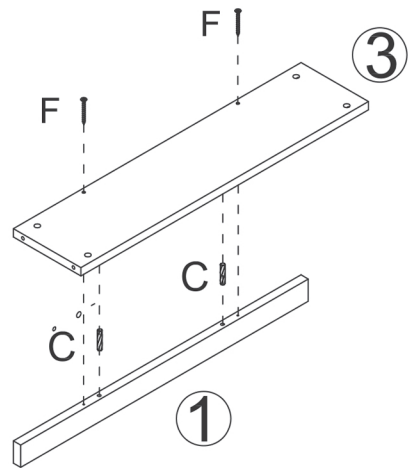
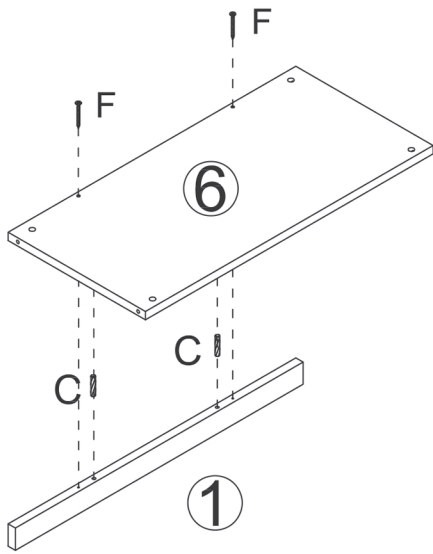
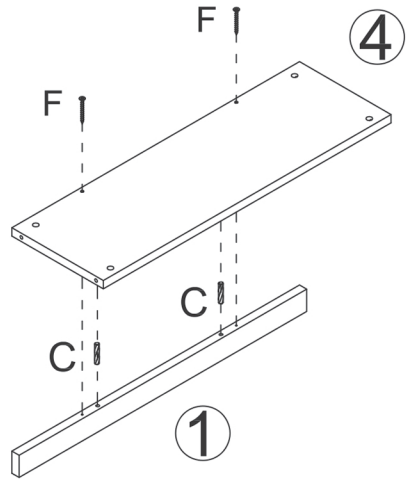
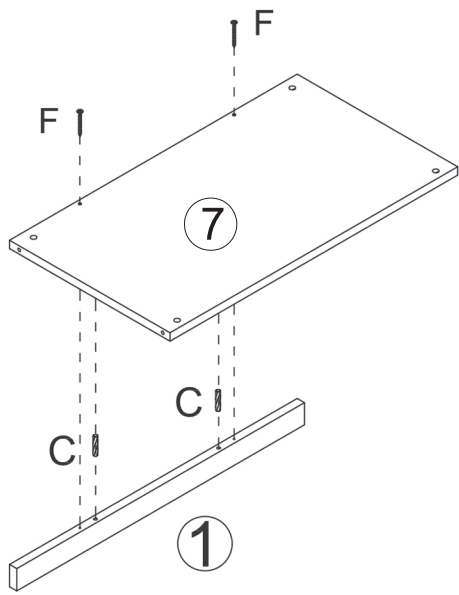




Wipe only with a dry cloth

HARDWARE

A	x24	B	x24	C	x14	D	x8	E	x8	F	x12	G	x4	H	x2
															
6x45mm				6x30mm		6x10mm				4x40mm		5x40mm		4x12mm	
I	x2	J	x1	K	x4	L	x2	M	x2						
															
						6x30mm	4x35mm								

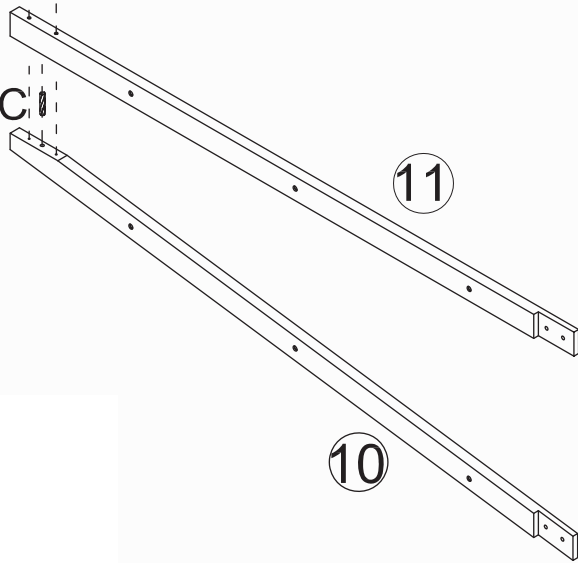
STEP 1



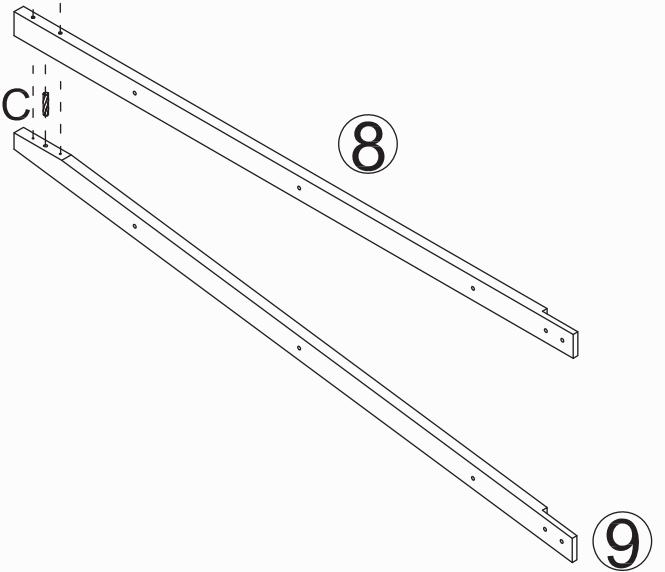
C		12	F		12
---	---	----	---	---	----

STEP 2

G | IG
C |



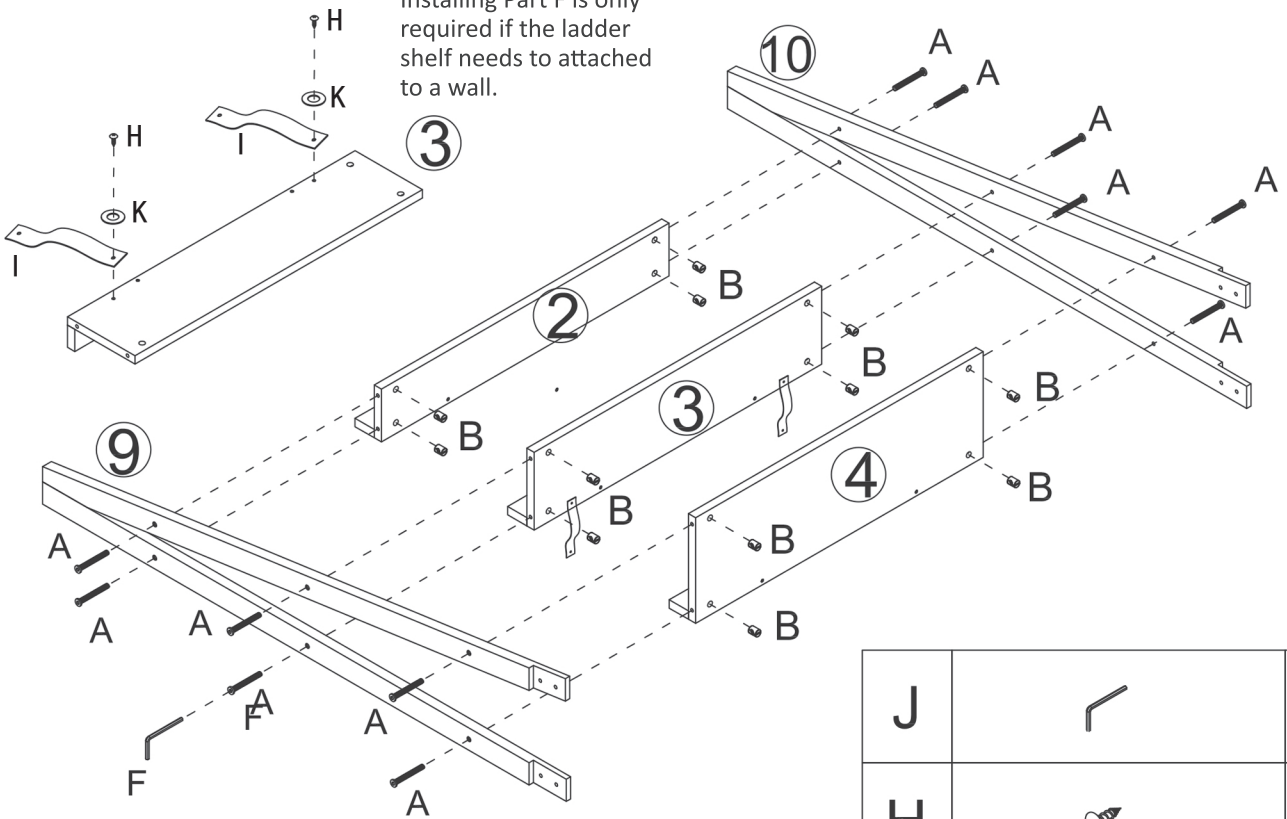
G | IG
C |









C		2	G		4
---	---	---	---	---	---

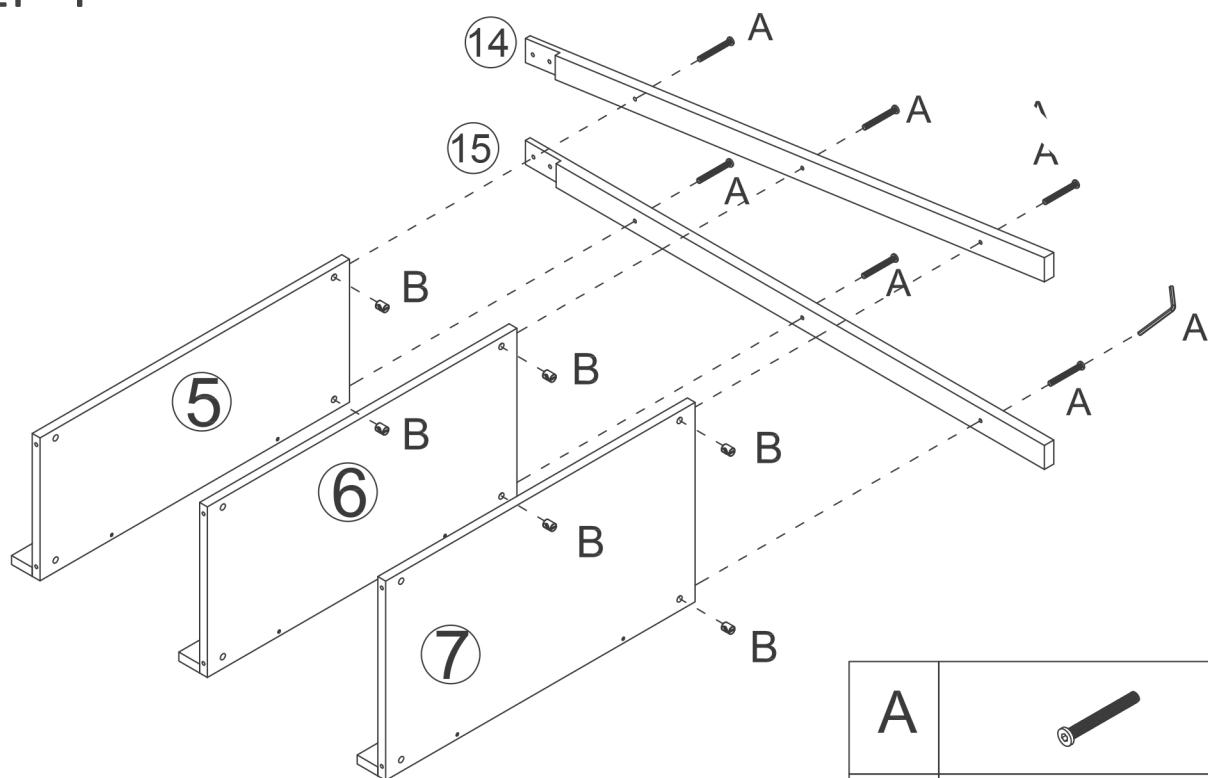
STEP 3



OPTIONAL
Installing Part F is only required if the ladder shelf needs to be attached to a wall.



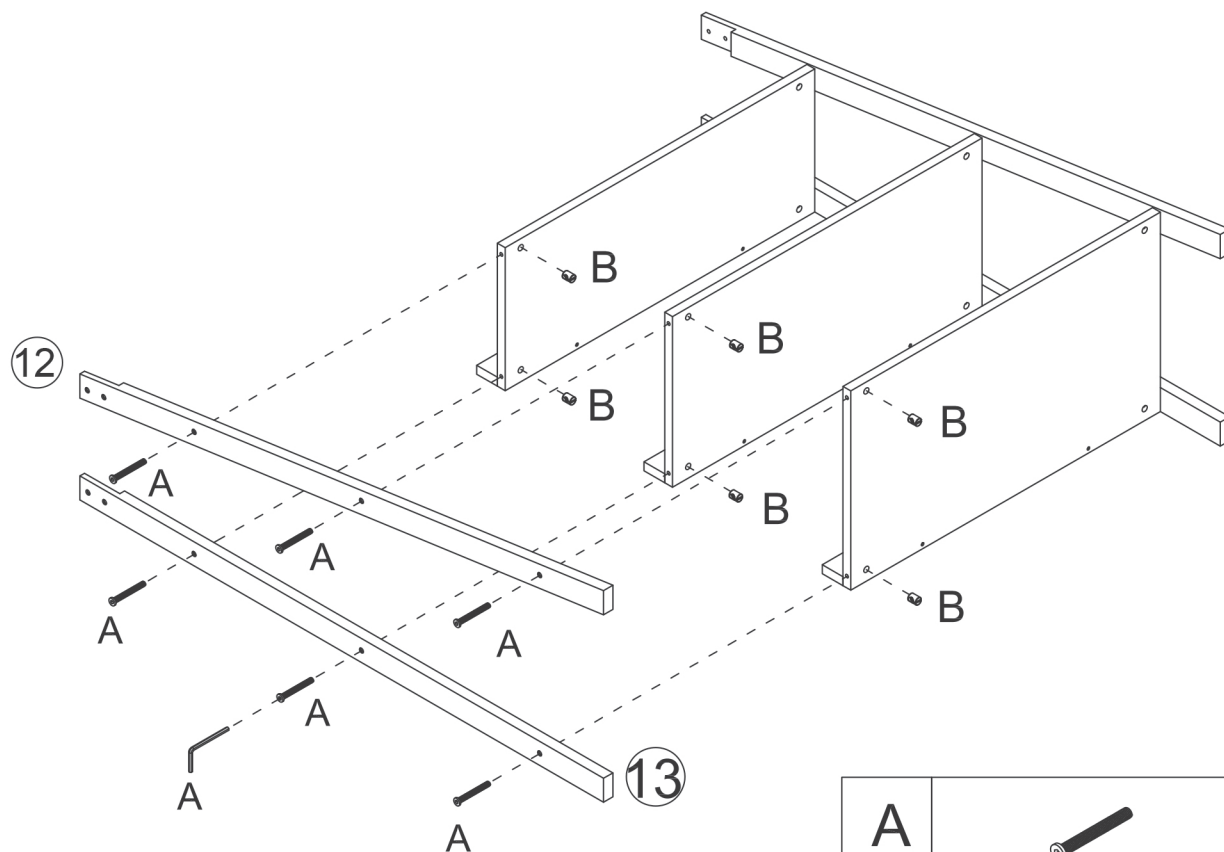
J		1			
H		2			
I		2	A		12
K		2	B		12



STEP 4



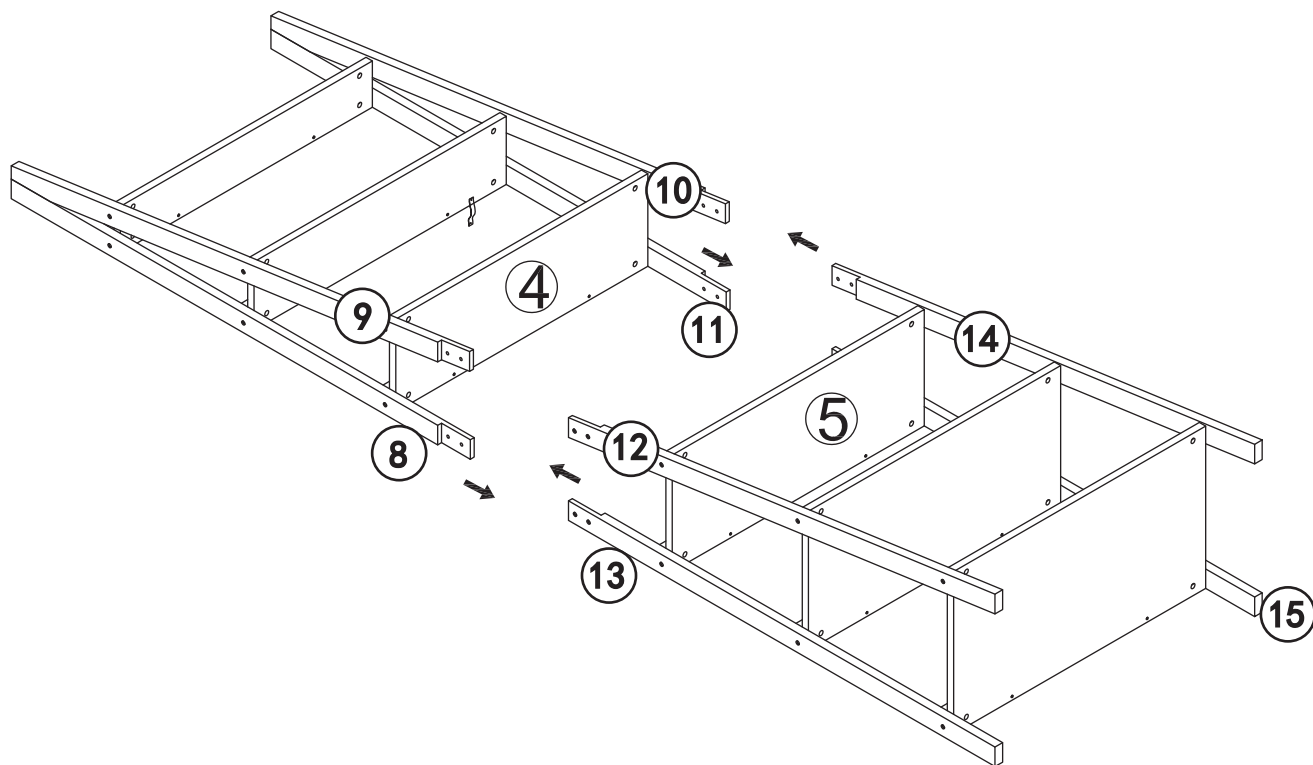
A		6
B		6

STEP 5

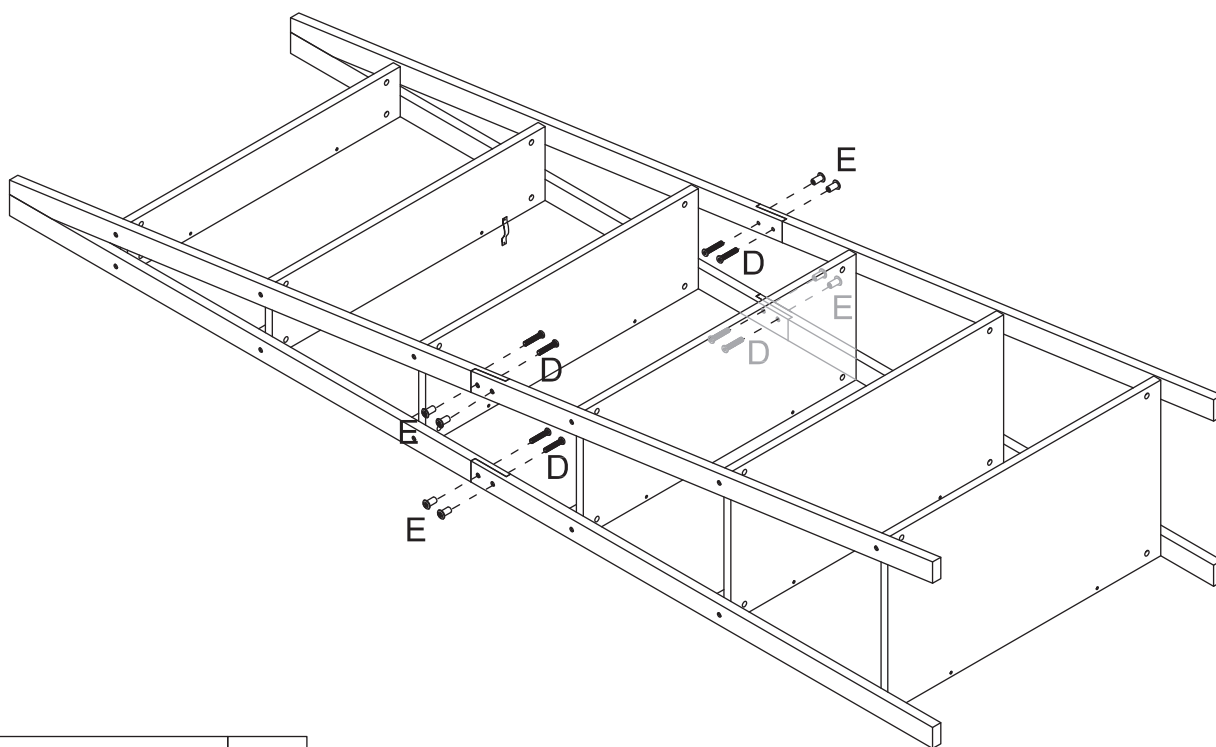




A		6
B		6

STEP 6

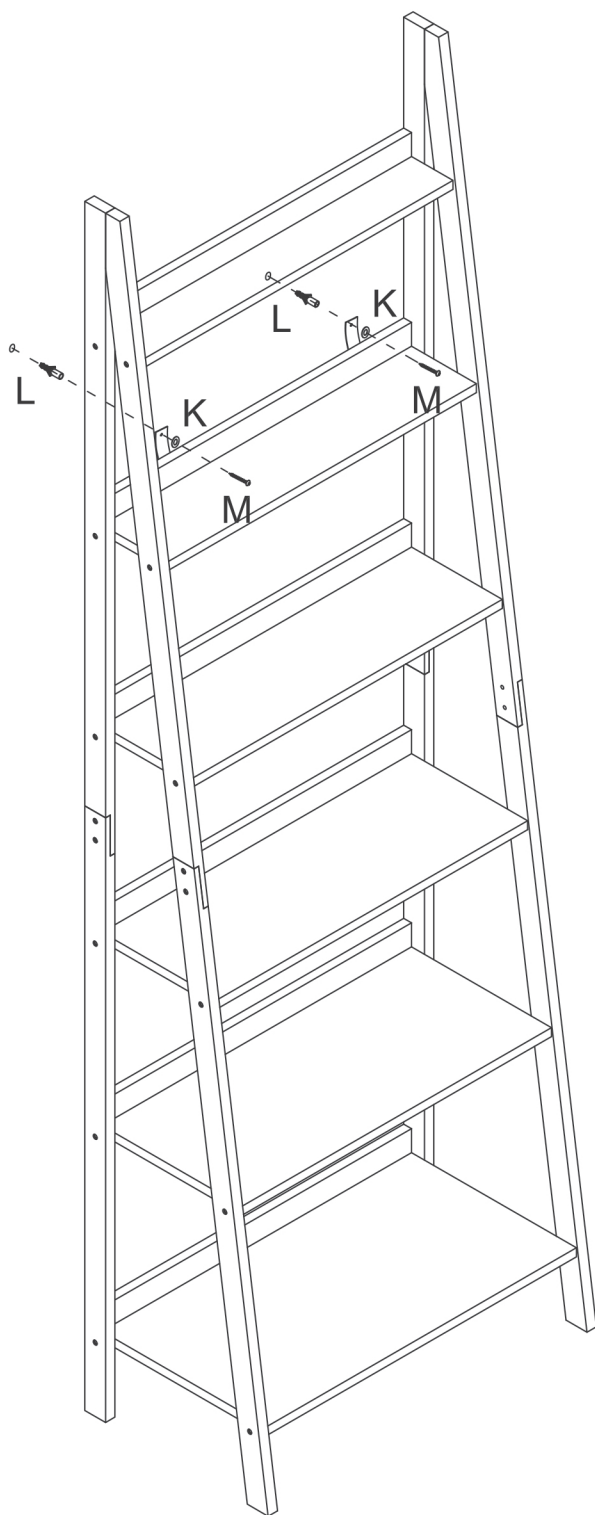


STEP 7



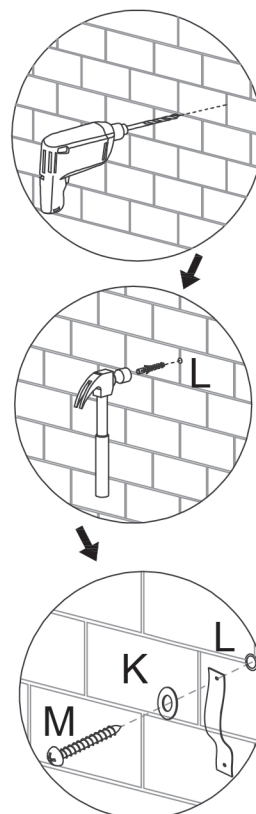
D		8
E		8




STEP 8



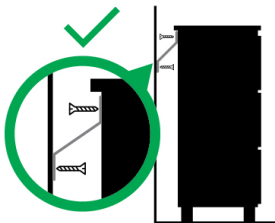
OPTIONAL

Determine where the ladder shelf will be placed and mark out the screw holes on a wall before drilling them.



K		2
L		2
M		2

WARNING



Children have died from furniture tipover.

- ALWAYS secure this furniture with an anchor device.
- NEVER allow children to stand, climb or hang on drawers, doors, or shelves.
- NEVER open more than one drawer at a time.
- Place heavy items down low.

NEVER put a TV on this furniture

