

ASSEMBLY INSTRUCTIONS

Please read these instructions carefully before assembling and using the product.
Please retain this manual for future reference.










ATTENTION

- This storage rack is intended for indoor use only. Uses that do not match the description or unauthorised change or modification are not permitted. Otherwise, it may result in personal injury or damage to the product.
- The product must be strictly assembled and used in accordance with the provisions of this manual. Please check to ensure all parts are accounted for after unpacking. Please inform our Customer Service immediately if there are parts missing or damaged.
- It is recommended that the product be assembled by two competent adults. Please wear gloves when assembling the product to prevent any injury.
- Place the product on a flat and hard surface to ensure its stability.
- Do not attempt to shake the product after assembling.
- The rack should be placed against and fixed to a wall. Please use only wall plugs and screws that are suitable for the type of wall. If unsure, consult your local hardware dealer for advice.
- Please keep away from water and electrical pipes when drilling into walls.
- The load on the shelves must be evenly distributed so that no harm can come to the shelves. Never exceed the maximum shelf load for the complete unit array.
- Do not place this rack in a room with high humidity to avoid damage to the MDF board shelves.
- Please wipe with a wet cloth and then use a dry cloth to remove all moisture during cleaning.

WARNING

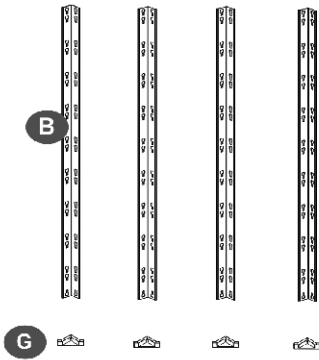
- Do not climb or step on the rack.
- Serious or critical damage may be caused if the product tips over.
- This rack is not intended for children use. It is prohibited to let children climb or play with the rack to avoid any serious mishaps caused by any racktip-over.
- Do not alter components or abandon the use of some components since such action will greatly affect the function of the product.
- To avoid the potential danger of suffocation, dispose of all packaging responsibly and keep it away from children.

PARTS

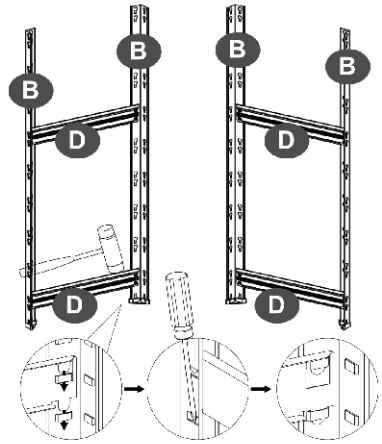
A × 5 	B × 8 
C × 10 	
D × 10 	E × 4 
H × 2 	I × 2 
F × 10 	G × 8 

ASSEMBLY STEPS

STEP 1

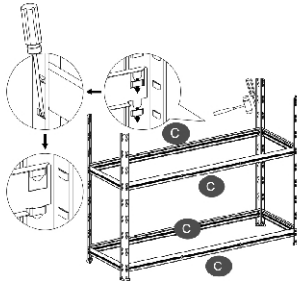


STEP 2



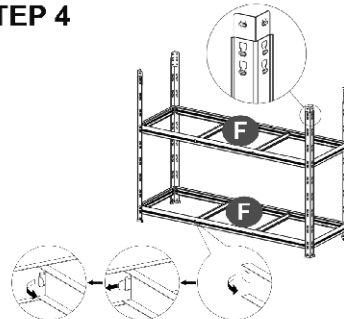
One set of frame
 Bx2pcs Dx2pcs Assemble the part D to the part B.
 Same assembly method for the other frame

STEP 3

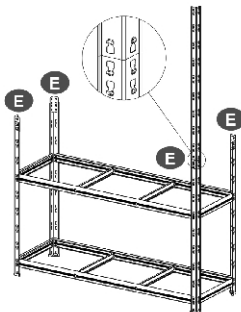


C x2pcs
 Put the frames in location and assemble the part C
 to the frames with a hammer.
 Assemble all the parts C to the frame in same way.

STEP 4



Bend the clip of Part F 90° and insert the clip into the slot at the
 middle of Part C. Then bend the tip another 90° to enable a firm
 joint between Part F and Part C.

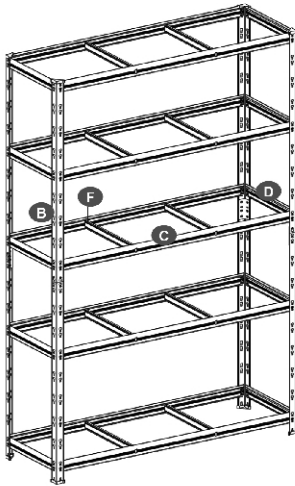


STEP 5

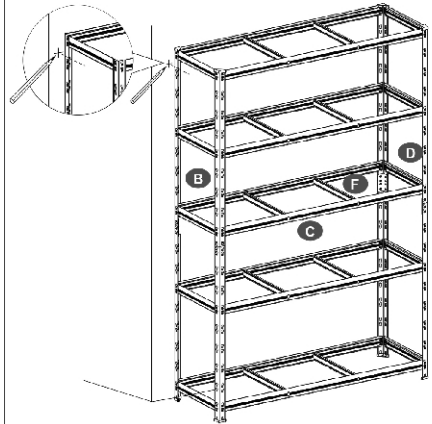
Insert the clips of Part E into the two slots of Part B and
 ensure that both clips pass entirely through the slots with their
 tips coming back out the front to form a firm joint.

ASSEMBLY STEPS

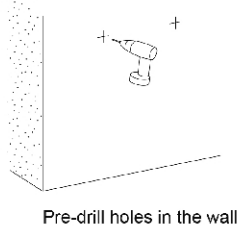
STEP 6



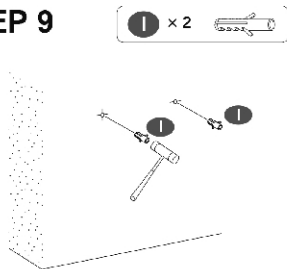
STEP 7



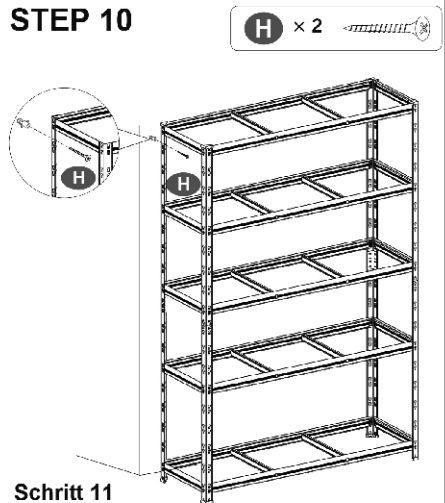
STEP 8



STEP 9



STEP 10

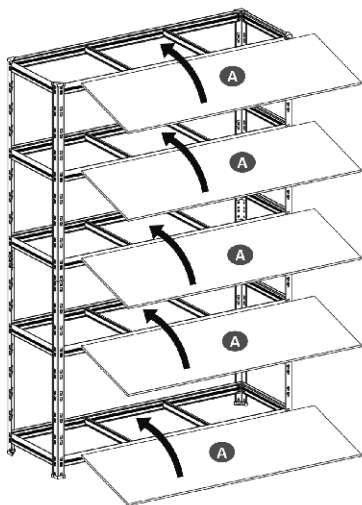


Schritt 11

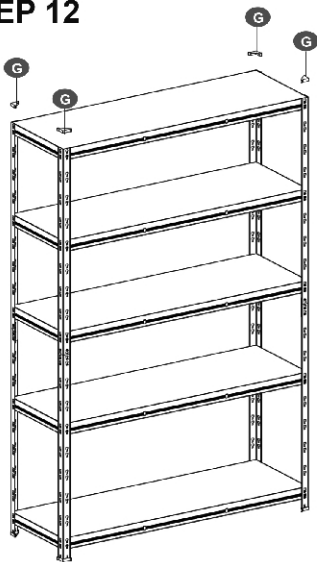
Bringen Sie das Regal nach Abschluss der Montage an den gewünschten Ort und befestigen Sie es mit den Kipp-sicherungen an der Wand, um mögliche Kipp-gefahren durch unebenen Boden oder ungleichmäßig verteilte Gegenstände zu vermeiden.

ASSEMBLY STEPS

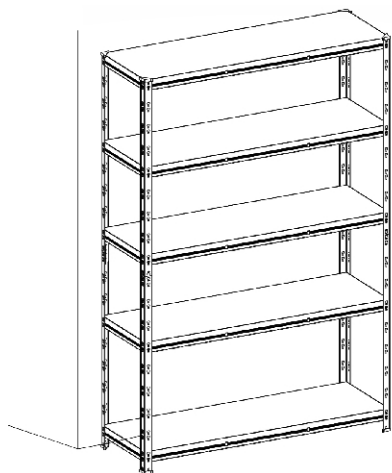
STEP 11



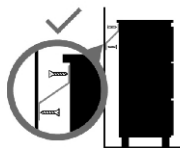
STEP 12



STEP 13



⚠ WARNING



Children have died from furniture tipover.

- ALWAYS secure this furniture with an anchor device.
- NEVER allow children to stand, climb or hang on drawers, doors, or shelves.
- NEVER open more than one drawer at a time.
- Place heavy items down low.

NEVER put a TV on this furniture



