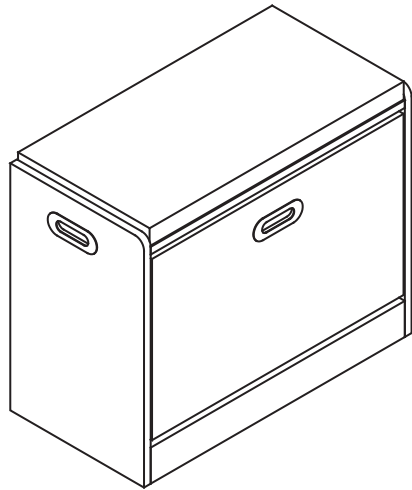




SHOE BENCH

MODEL:SS-BN-NEW-C1-WH/WD



ASSEMBLY INSTRUCTIONS

Please read instructions carefully before assembly.

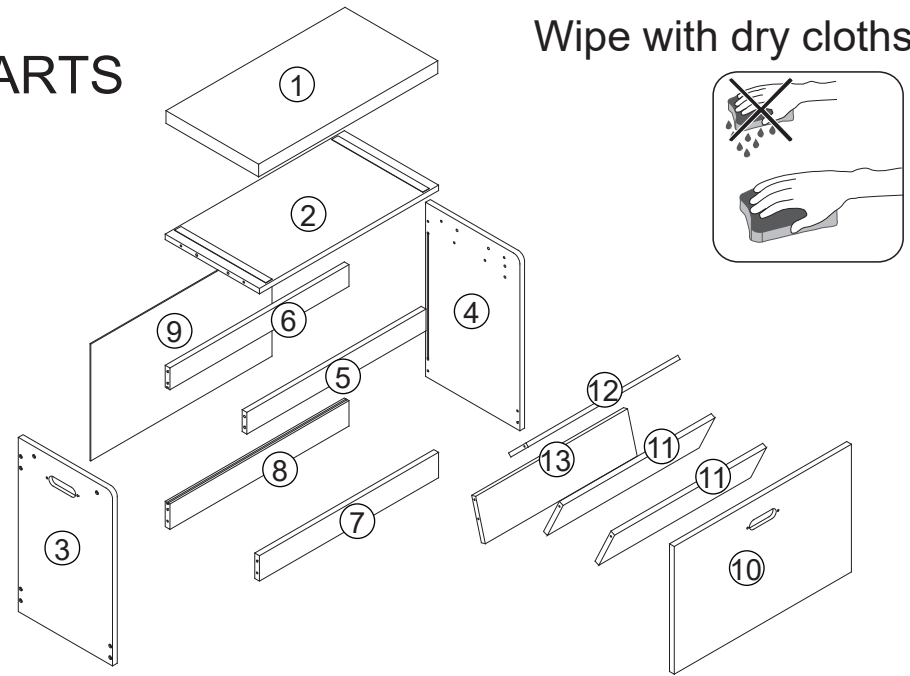


Two persons and tools required for assembly

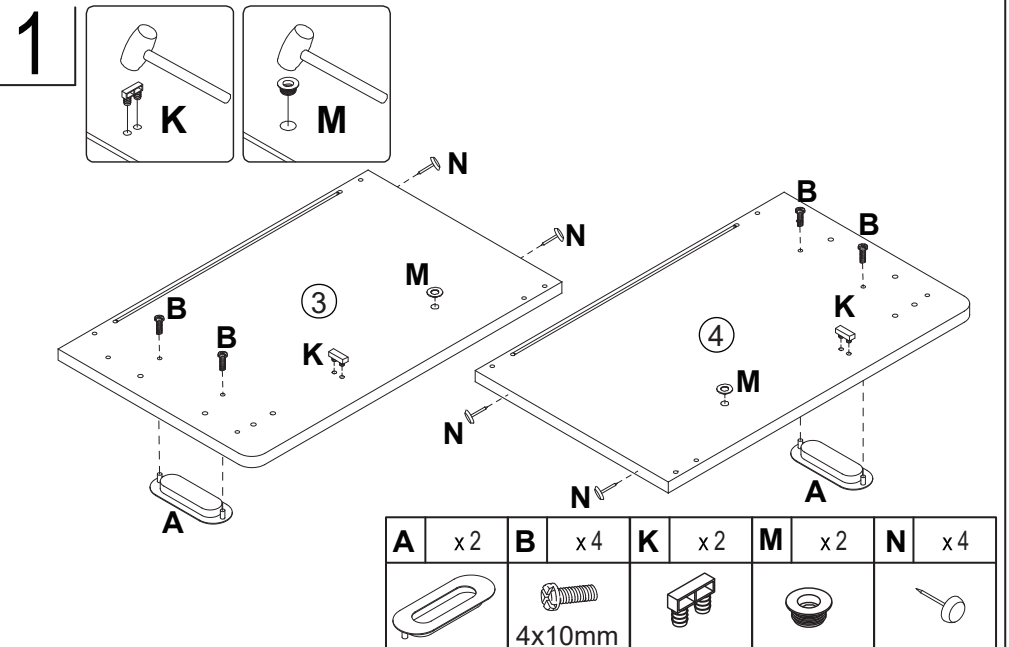
HARDWARE

A	x3	B	x6	C	x8	D	x16	E	x16	F	x16
		4x10mm		Ø6x30mm		M3.5x12mm		M5x40mm			
G	x1	H	x1	I	x2	J	x2	K	x2	L	x1
						M4x12mm					
M	x2	N	x4	O	x4						
				M4x40mm							

PARTS

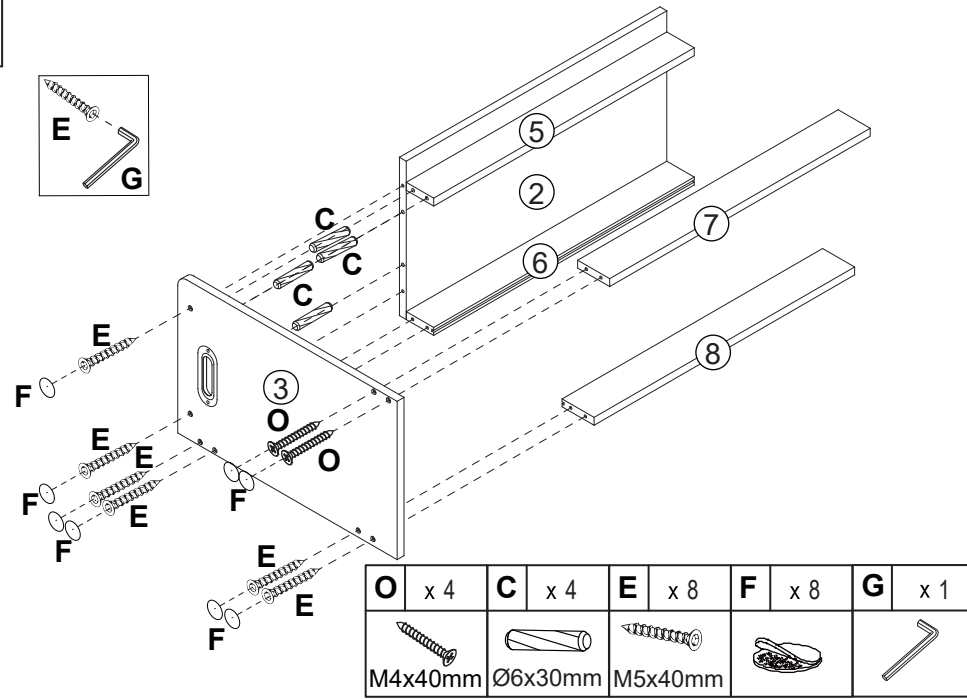


Wipe with dry cloths

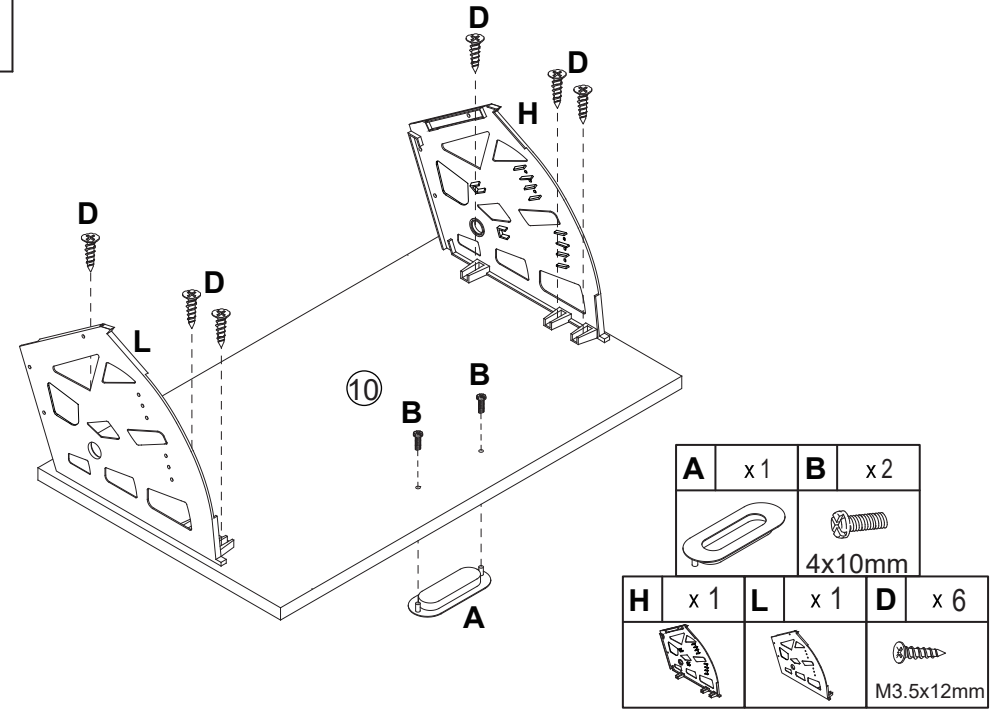


A	x2	B	x4	K	x2	M	x2	N	x4
		4x10mm							

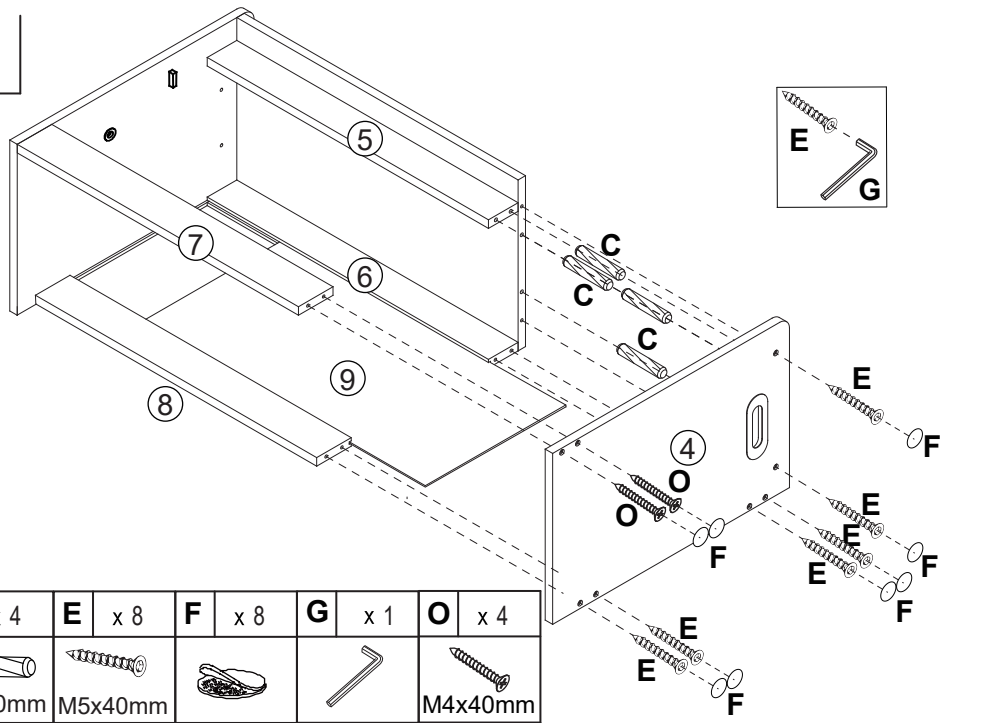
2



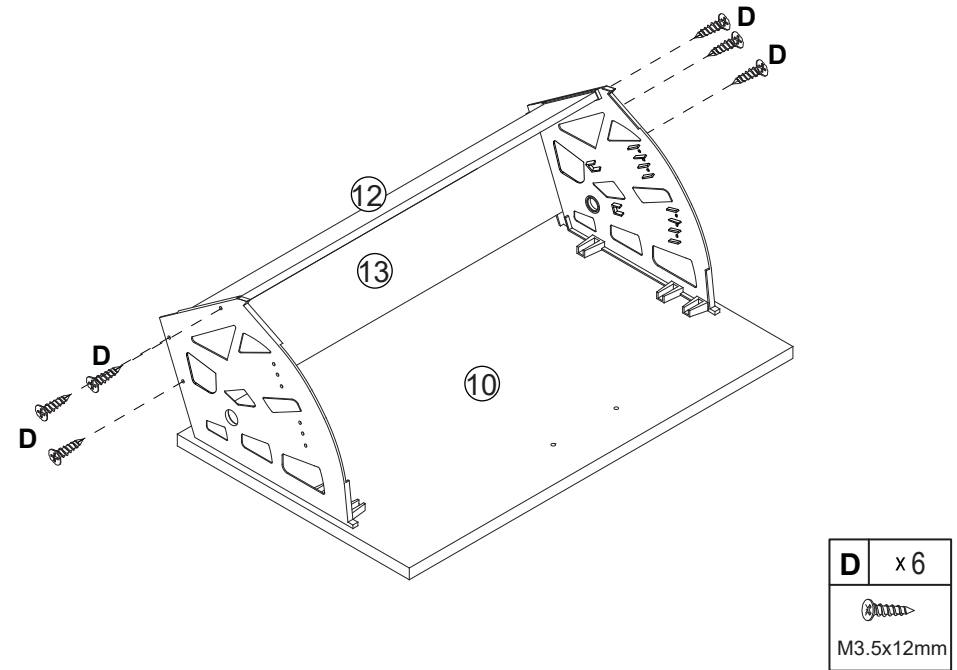
4



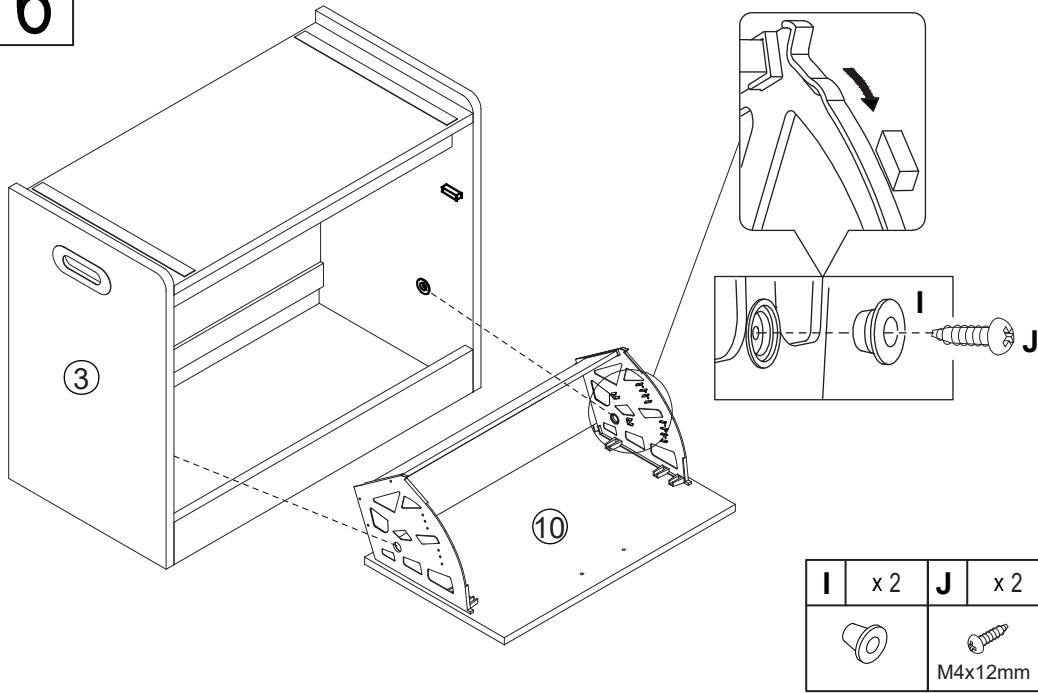
3



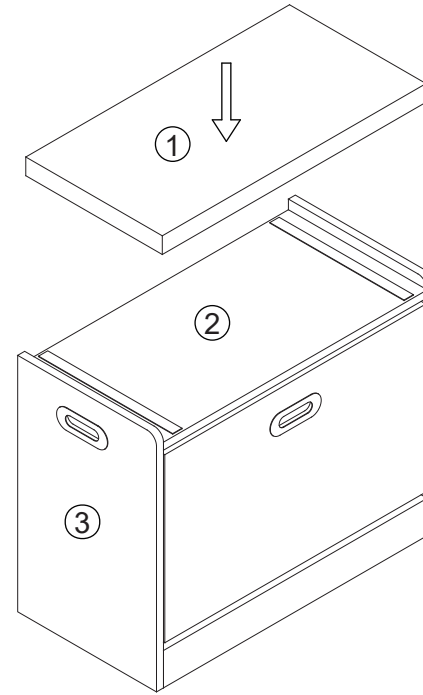
5



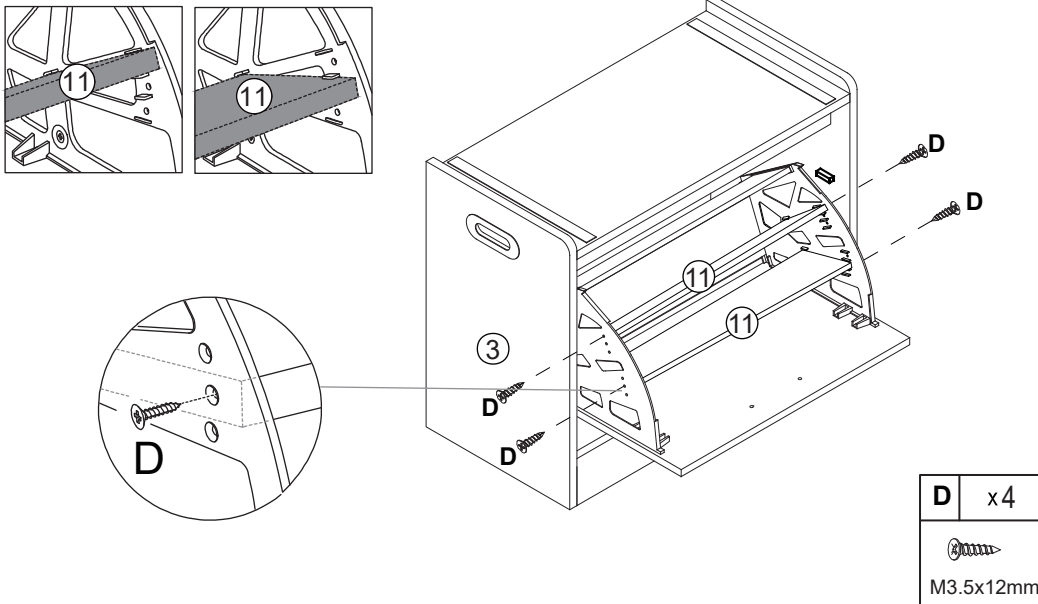
6



8



7



9

