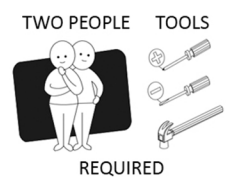


WOODEN BED FRAME

MODEL: BF-W-B-NINO-S/KS



ASSEMBLY INSTRUCTIONS

Please read these instructions carefully before assembling and using the product.

ATTENTION

When moving the bed frame, please lift it up with two persons to help move it. Do not drag, push or pull the bed frame as these actions may damage the bed frame legs.

ASSEMBLY CHECKLIST



Read through the instructions carefully before starting assembly.



Make sure that you have the required tools. Do not use power tools.



Identify and lay out all parts to familiarise yourself with them.

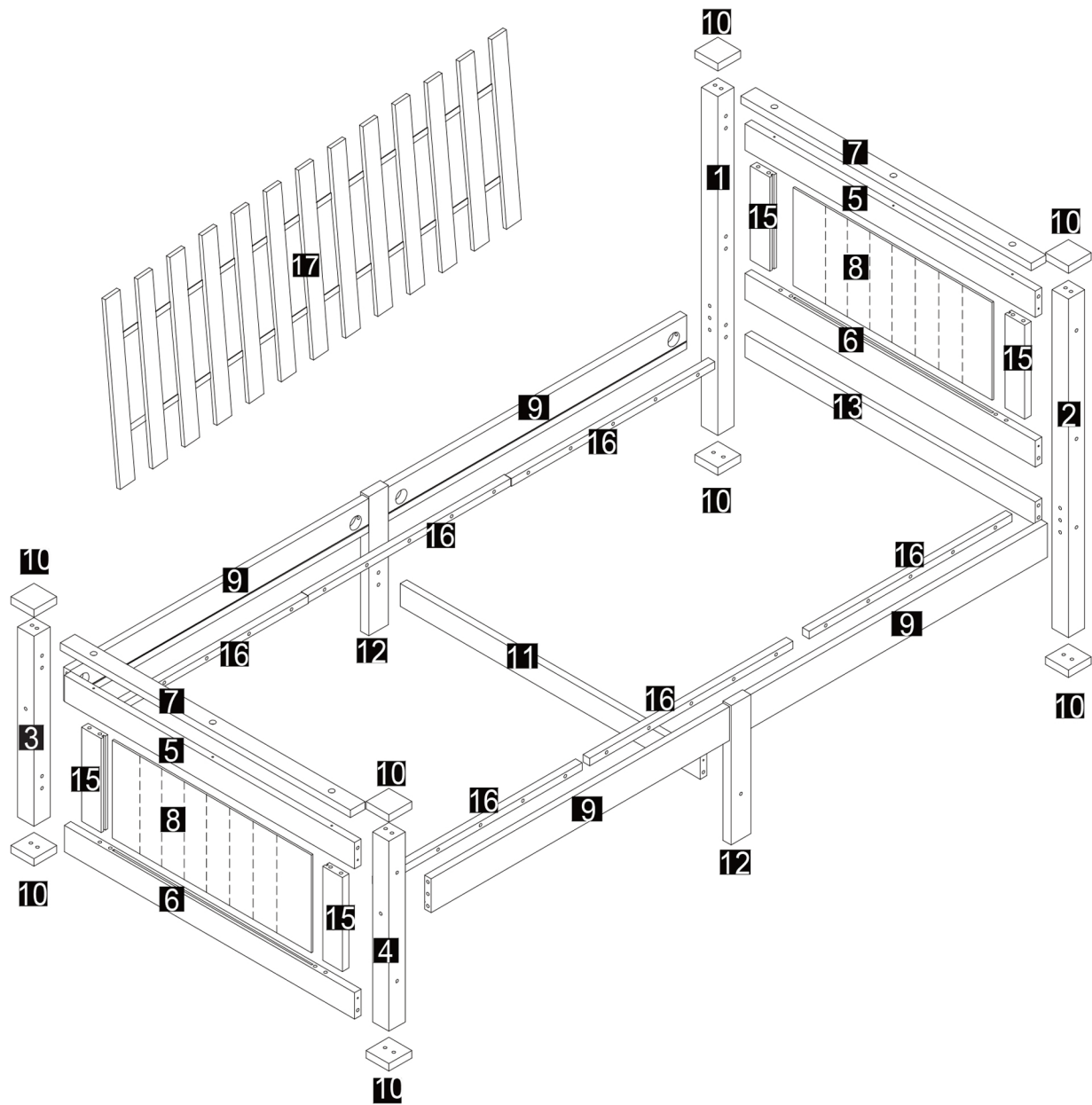


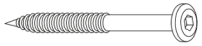
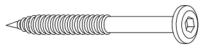

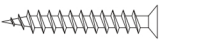




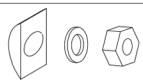



Do not fully tighten all screws until the step or process has been completed.

USEFUL INFORMATION

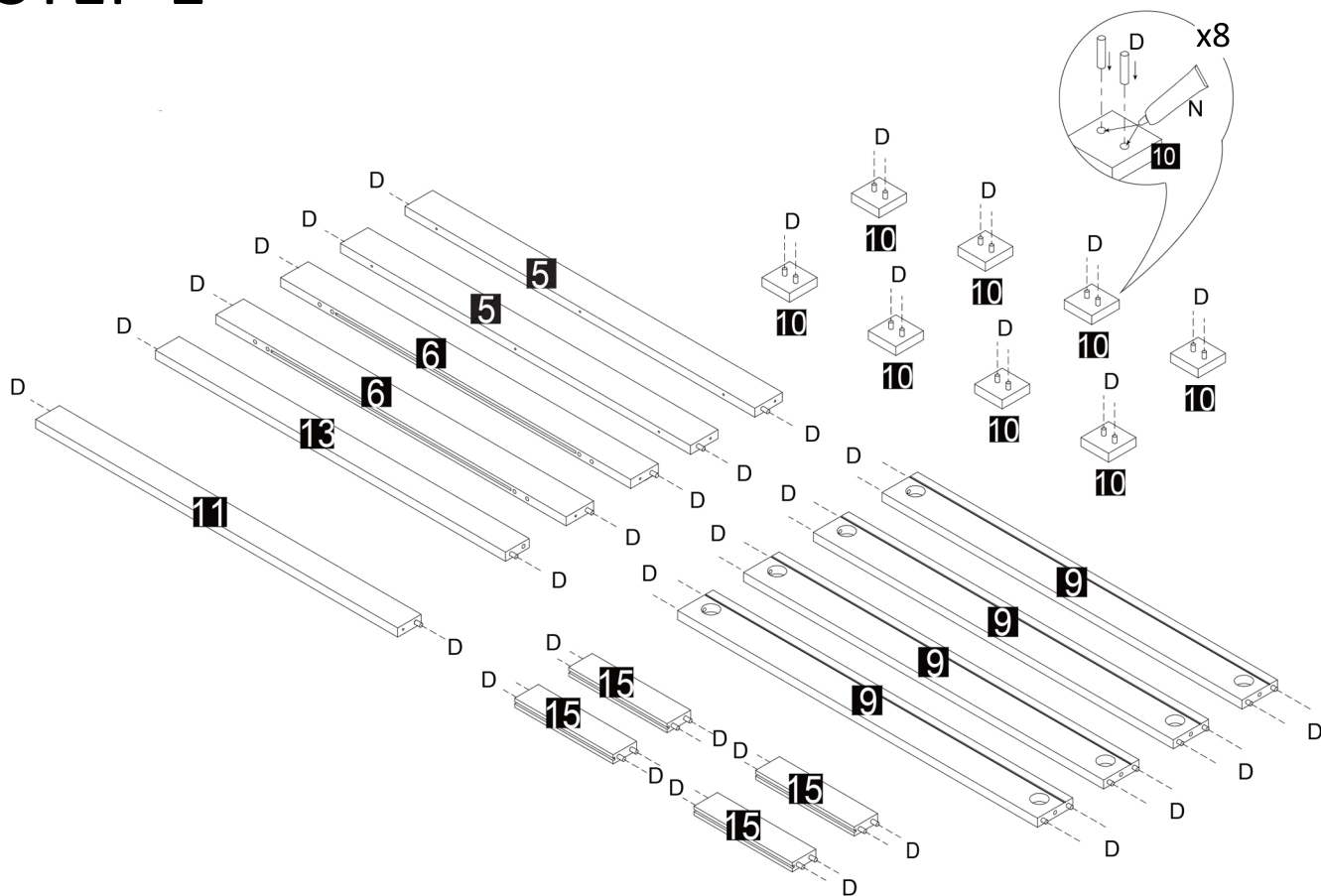
1. Never use power tools for assembly. They can damage the components or hardware if used incorrectly.
2. The most common mistakes made during assembly are using the wrong hardware or getting components from back to front.
3. Always assemble the product on a soft surface such as a carpet or cardboard to avoid scratching or damaging the surface of the product.



PARTS AND HARDWARE



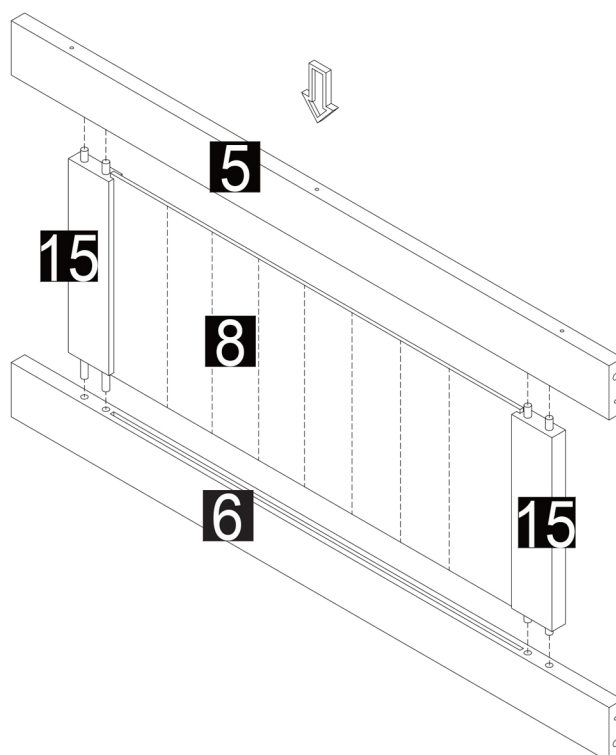
A		Ø6x90mm	10	G		Ø6x70mm	2
B		Ø6x50mm	6	H		Ø4x30mm	56
C		M6x140mm	2	J	 Hole Sticker	Ø20mm	10
D		Ø8x30mm	60	K		10mm	2
E		M6	8	L		4mm	1
F		M6x90mm	4	N		WARNING: Keep the glue out of reach of children	1

STEP 1



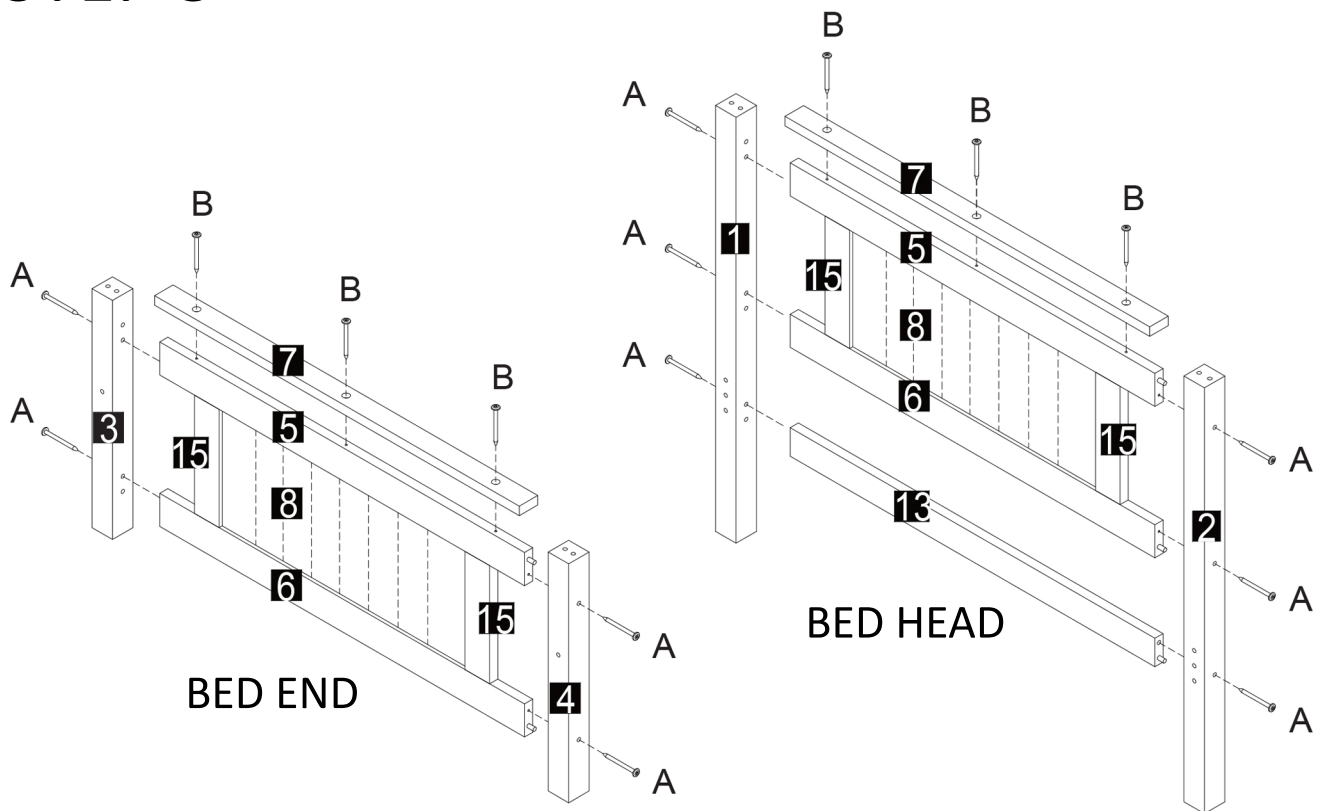
D		Ø8x30mm	60
N		Wood Glue	1



STEP 2



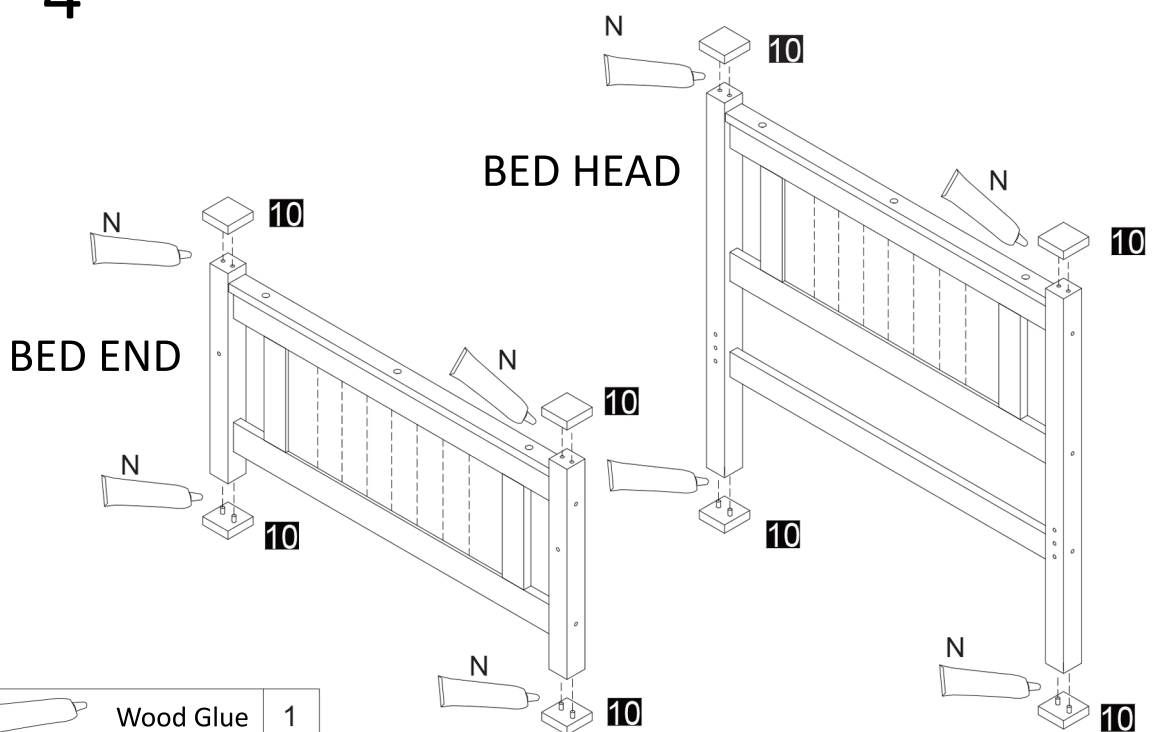
x2
Assemble
2 sets

STEP 3



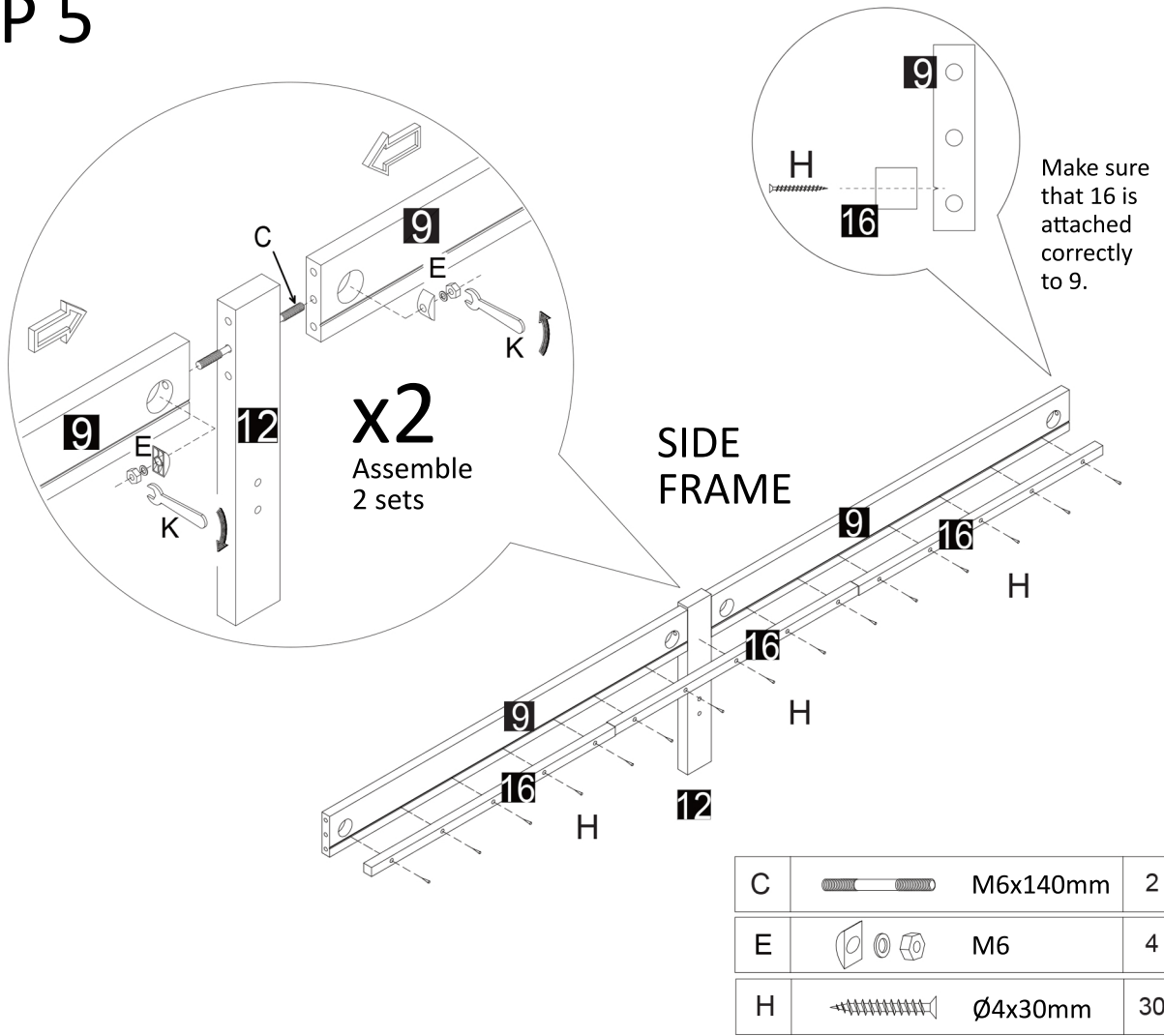
A		Ø6x90mm	10
B		Ø6x50mm	6

STEP 4

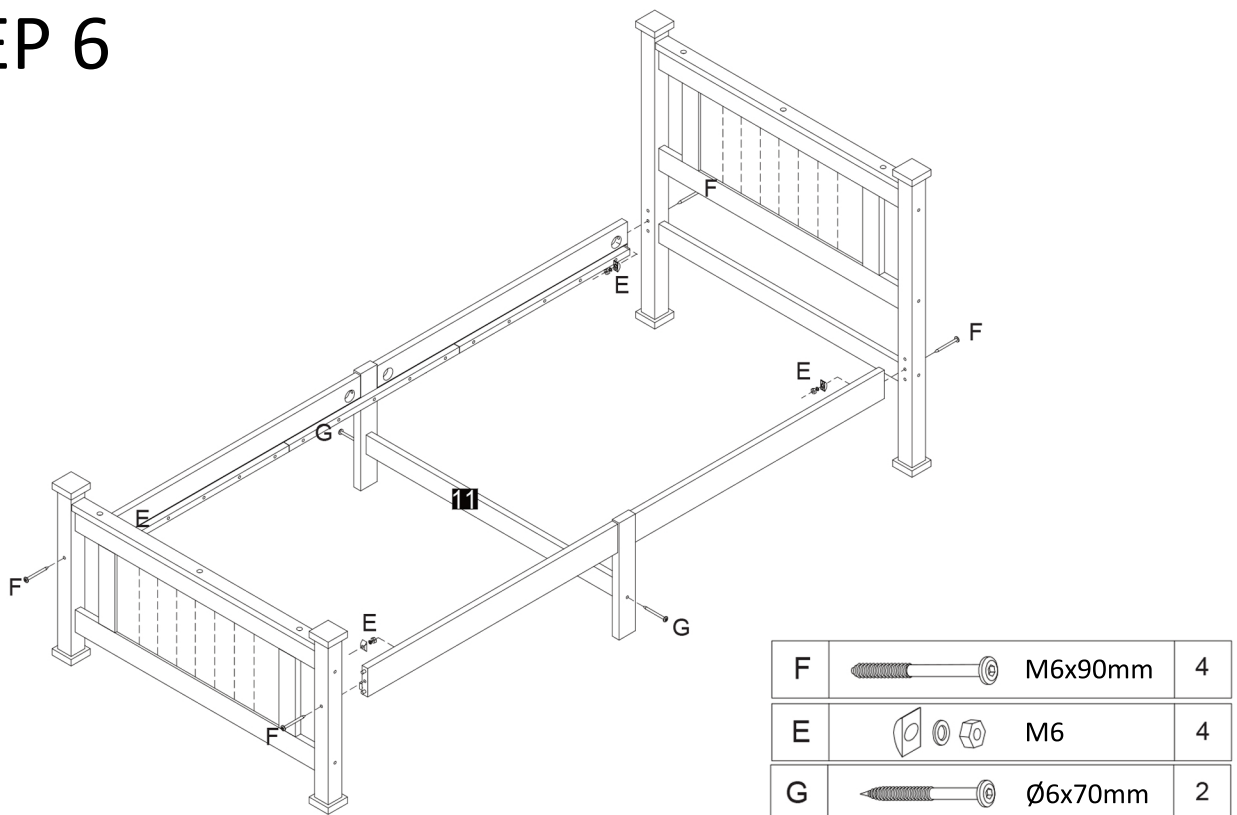


N		Wood Glue	1
---	---	-----------	---

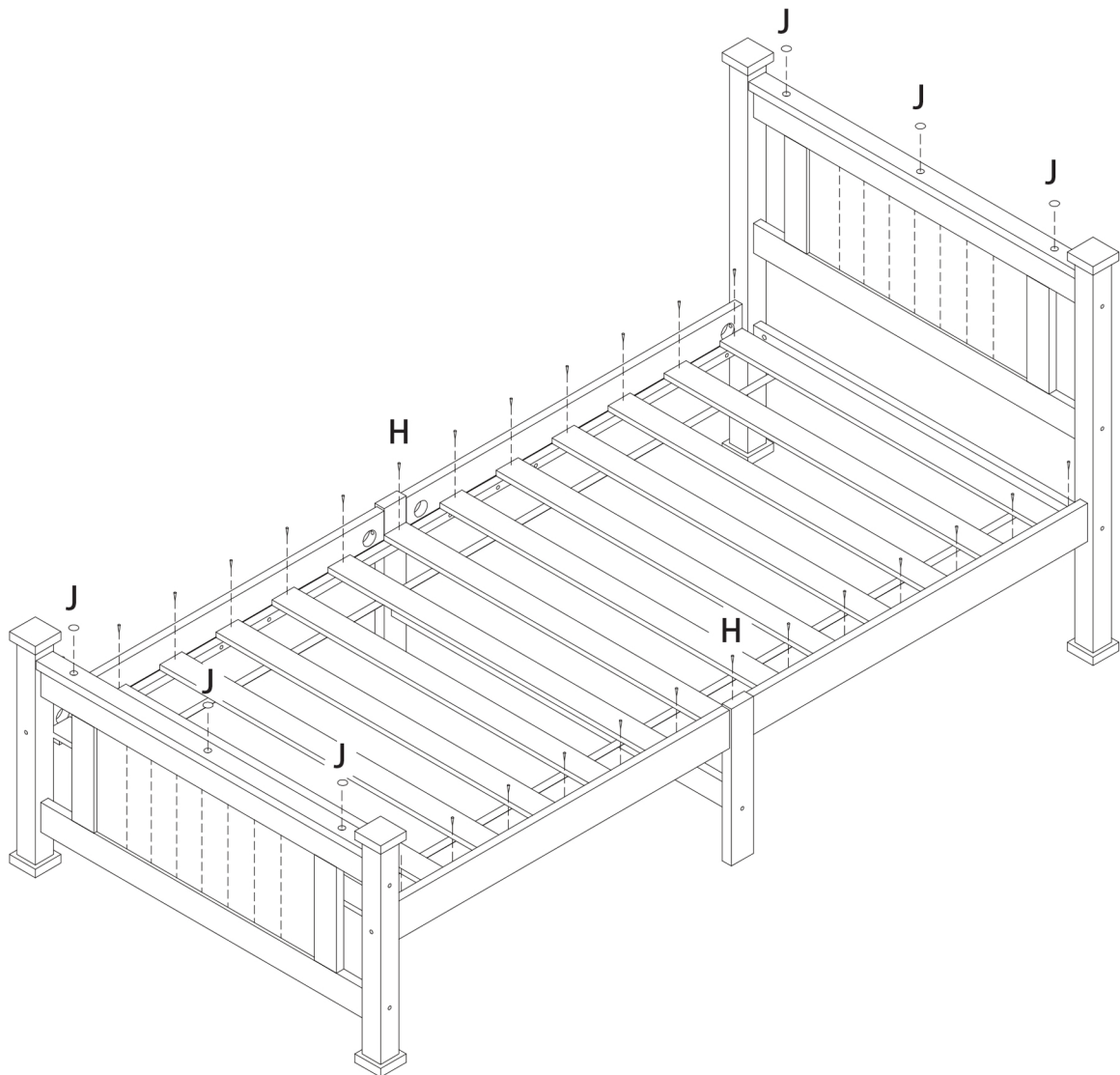
STEP 5



STEP 6

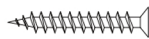



STEP 7



ATTENTION

Do not use power tools to tighten screws H when attaching the bed slats to the bed frame.

H		Ø4x30mm	26
J	 Hole Sticker	Ø20mm	06