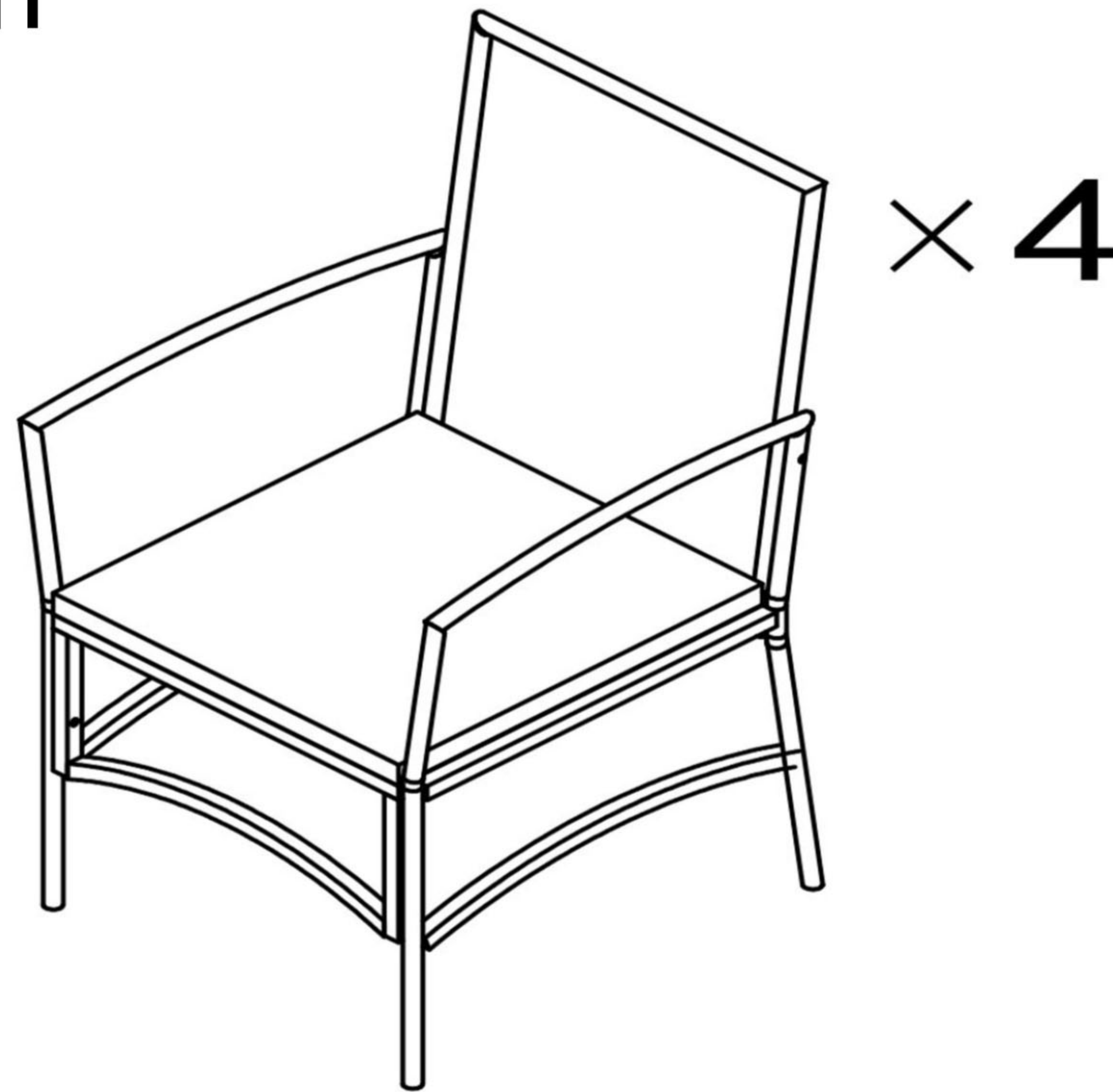


OPS-RTN-CH-BK/GY

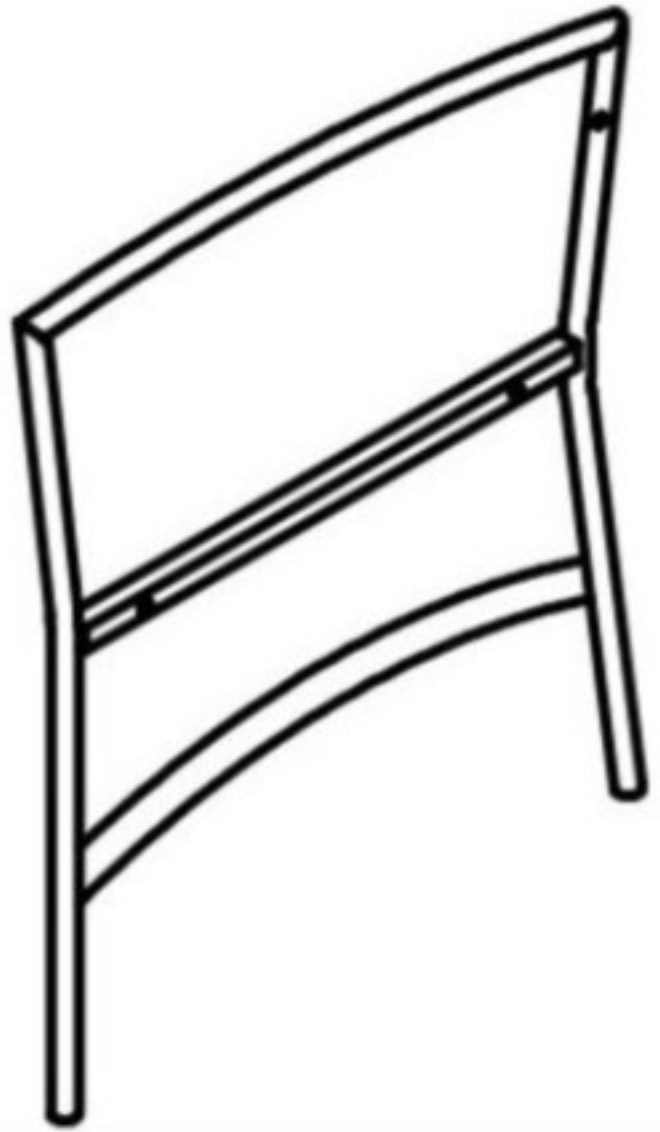



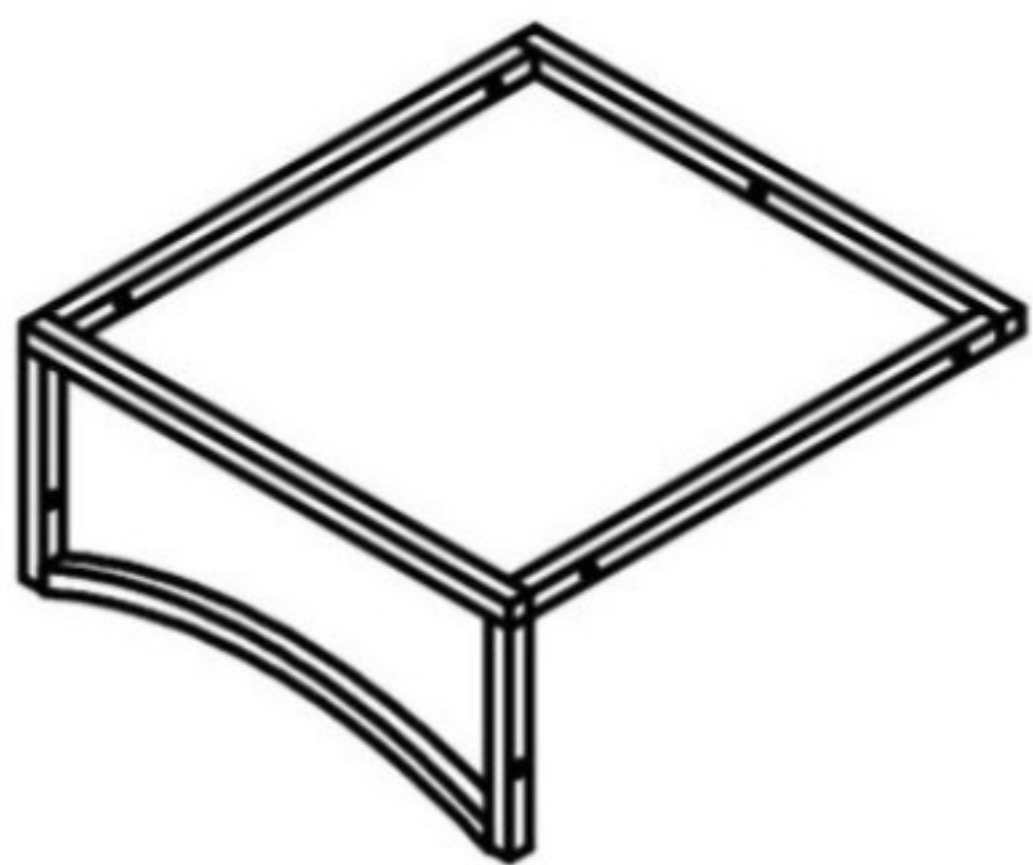
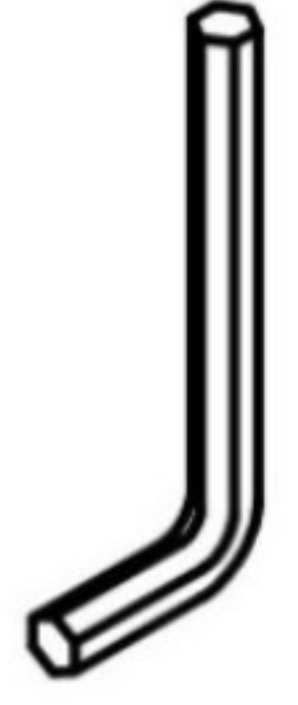
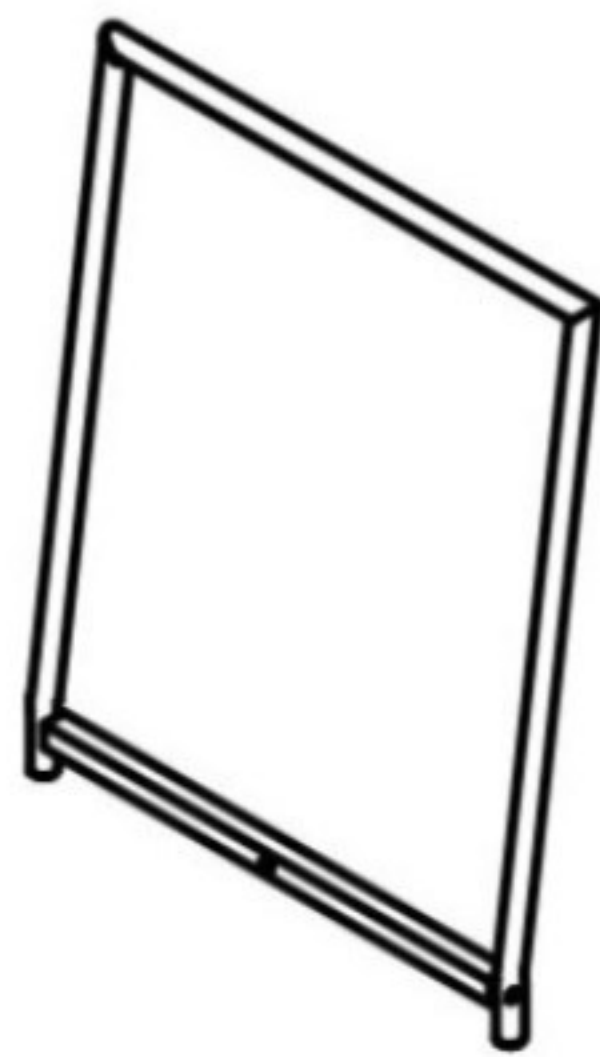
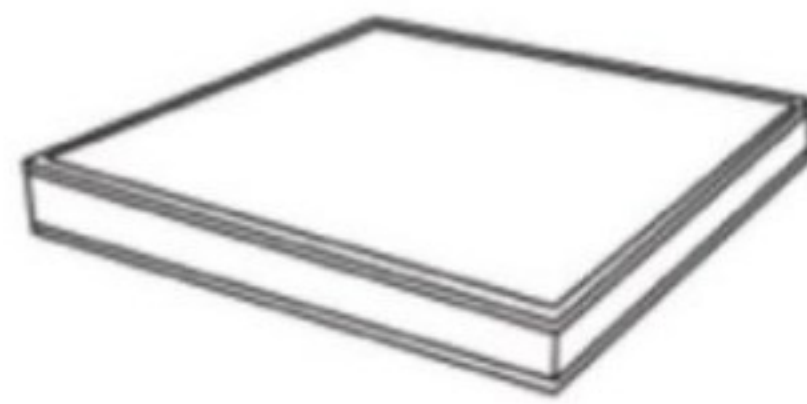



Do not fully tighten the screws until all of them are aligned properly with the holes. If the legs are uneven on the ground during assembly, loosen some screws and add some pressure on the frame to ensure the legs are even (sit on the chair carefully) . Then tighten the screws diagonally.

Caution:

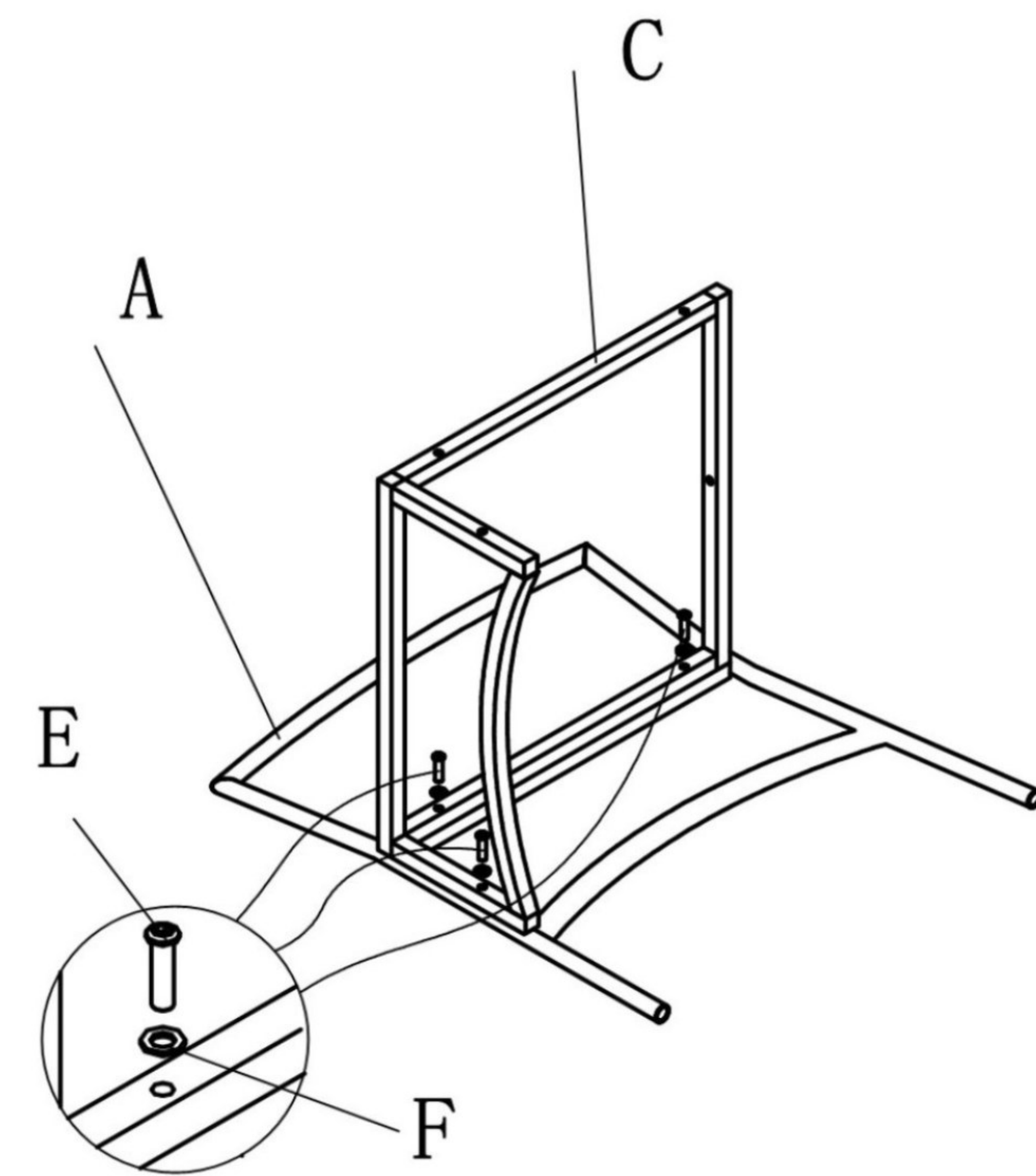
Don' t let the product fully expose under the Sun or in rain in long time. The tempered glass might explode and the cushion cover will losing the water resistant under prolonged sunshine and raining.

Part list

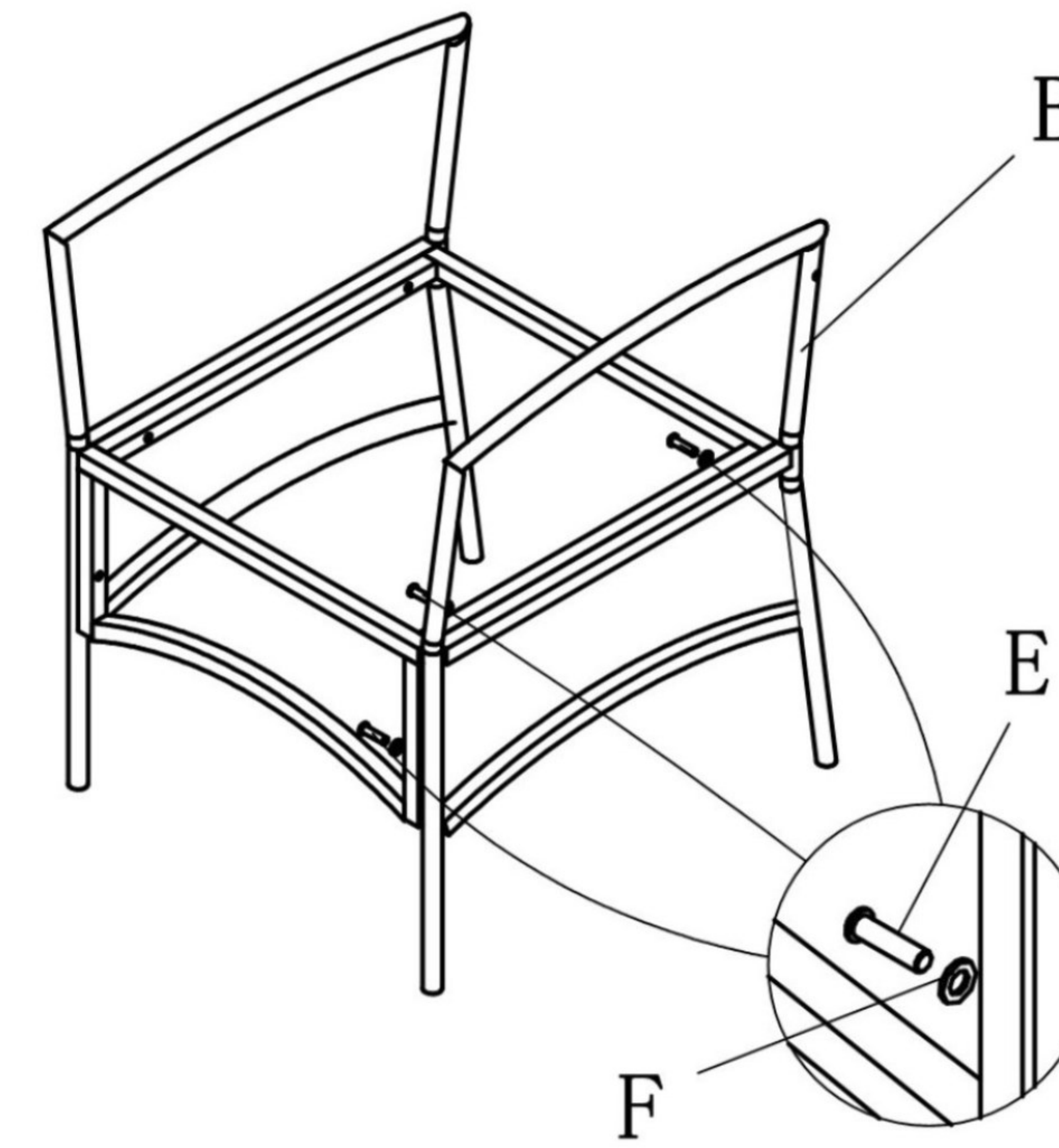
NO.	PARTS	QTY.	NO.	PARTS	QTY.
A		1PC	E	 M6×30	7PC
B		1PC	F	 D6 (WASHER)	8PC
C		1PC	G	 WRENCH	1PC
D		1PC	H	 seat cushions	1PC
I	 M6×35	4pcs			

Single Chair instruction

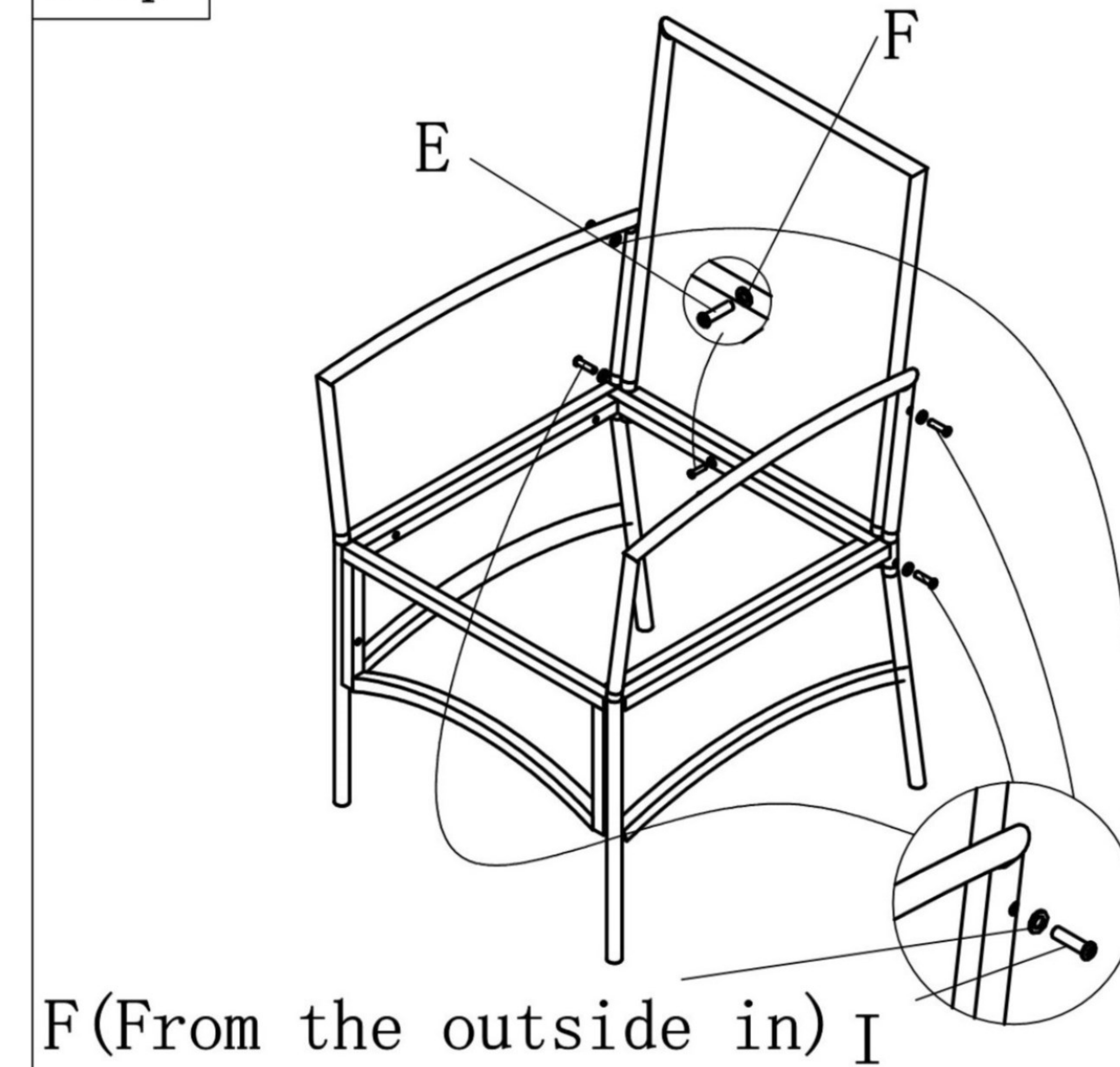
step1



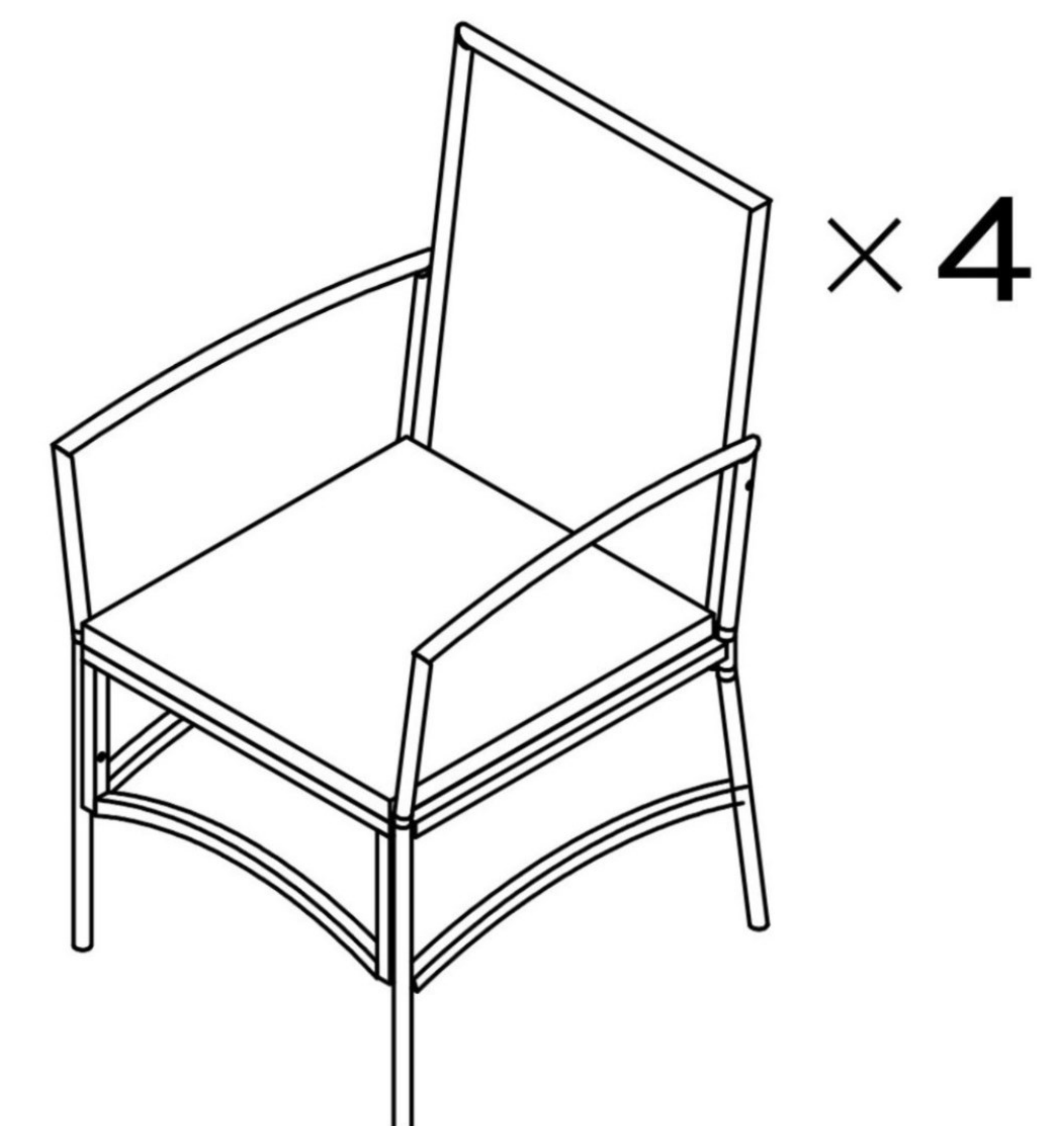
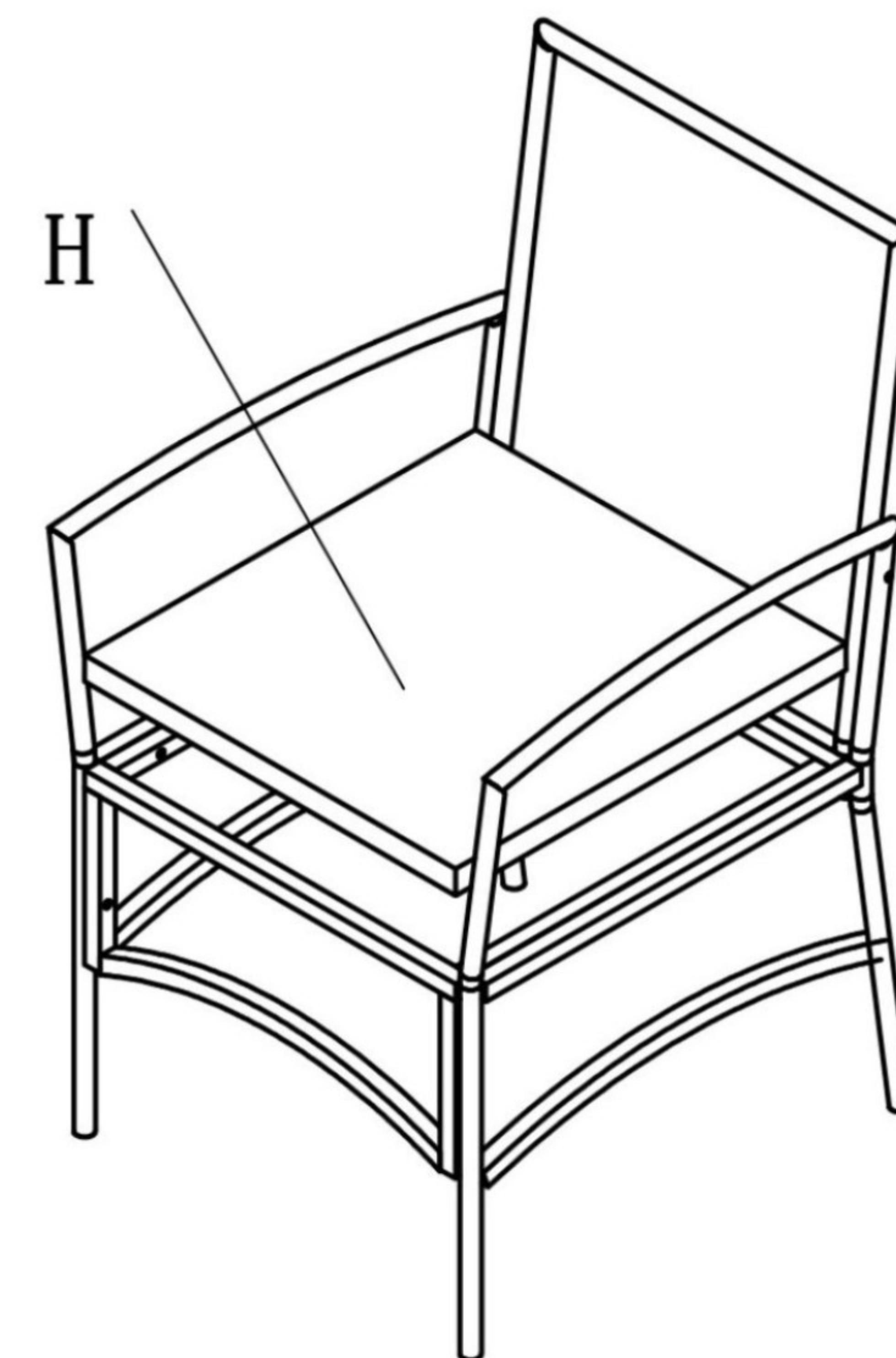
step2



step3



step4



- (1) Do not tighten the screws until making sure all the screws are lining up with the holes, otherwise some screws may not line up with the holes.
- (2) If this situation occurs during assembly, please loosen the screws which have been tightened, make sure all the screws line up with all the holes, tighten a little and then tighten them in diagonal way again.
- (3) If the product is uneven after installation, please loosen the screws, put strength on the frame, make sure all the legs are in the same level and then go on assembling it .