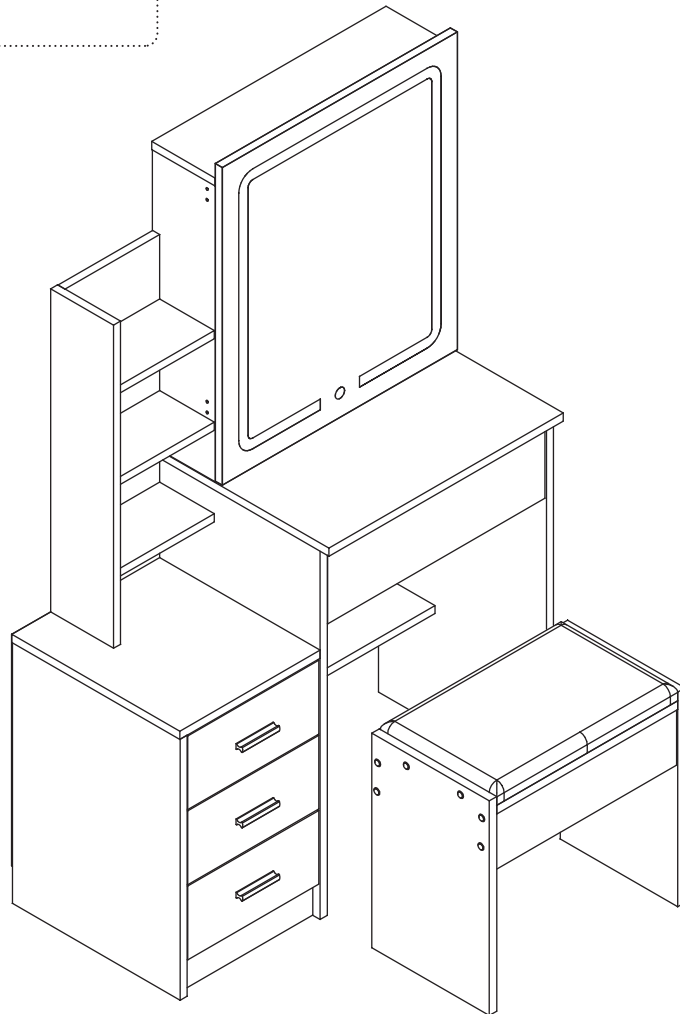
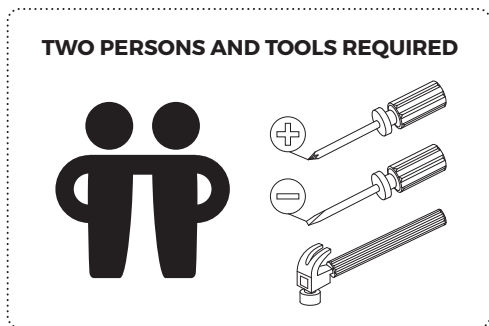


ASSEMBLY INSTRUCTIONS

Please read the instructions carefully before assembly and keep it for future reference.



DRESSING TABLE

Model : DT-ST-B19

Version 1.0

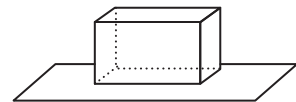
Assembly and Maintenance Tips



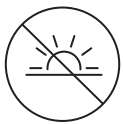
1. Keep children and pets away from the working area as small parts may cause choking if swallowed.



2. Some furniture may require two persons to assemble for safety reasons.



3. To protect the surfaces of the furniture, lay the parts and perform the assembly on top of a soft mat (such as a carpet or cardboard).



4. Keep the furniture away from direct sunlight to avoid fading.



5. Use a soft, damp cloth to clean or wipe surfaces.

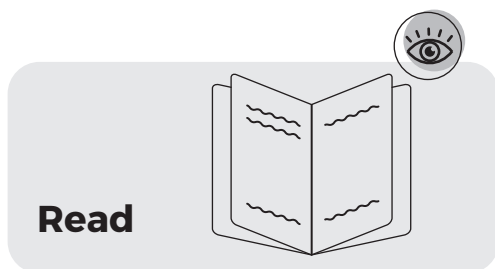


6. Never use ammonia-based or abrasive cleaning products to clean as they may damage the finish.



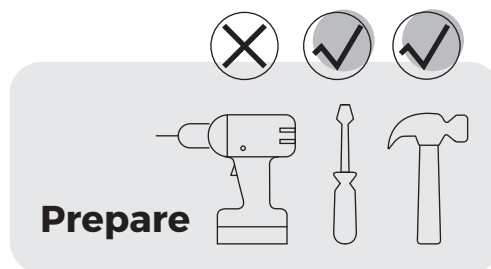
7. Do not place liquids or wet items on furniture as they may leave water marks/stains. Always use a coaster or runner to protect the furniture surface.

Assembly Checklist



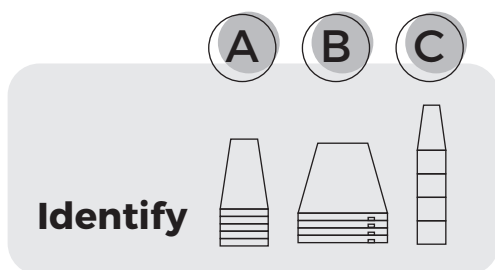
Read

Read through the instructions carefully before you begin.



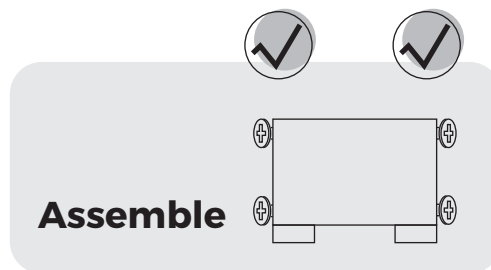
Prepare

Make sure you have all the required tools. Never use power tools unless instructed.



Identify

Identify and lay out all of the components before you begin assembly.



Assemble

Please fully tighten all screws during the assembly process unless instructed not to do so.

Helpful Information

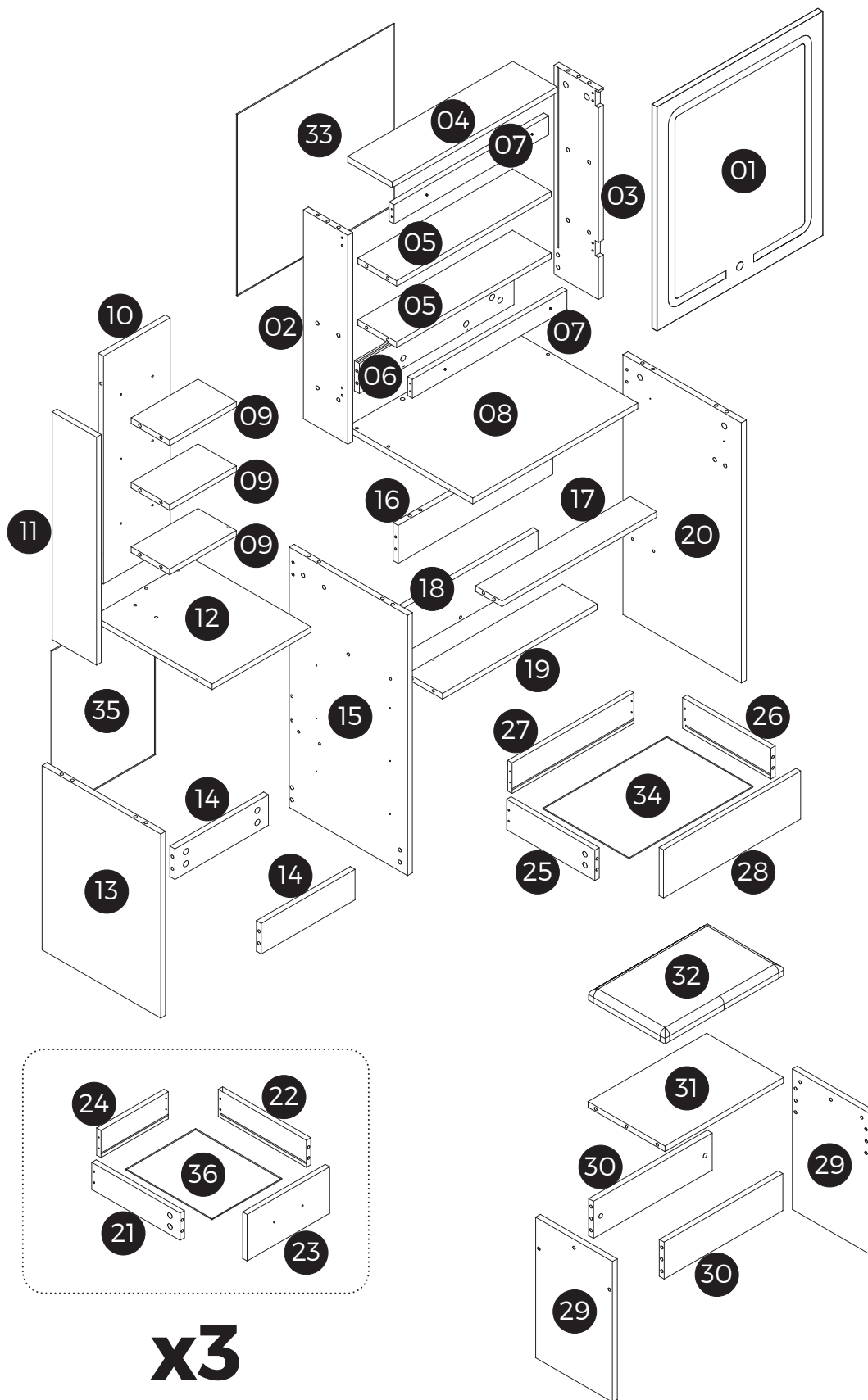
- ! Never use power tools unless specifically instructed. They can damage your components or hardware if used incorrectly.
- ! The most common mistakes made during assembly are using the wrong hardware or getting components back to front.
- ! When assembling the product, it is recommended to do so on top of a soft surface such as a carpet or cardboard to avoid scratches and damages to the furniture surfaces.
- ! Bulky items such as wardrobes should be assembled in the location when the assembled piece will be used to avoid moving them through doors or tight passages.
- ! Never use any glue until you are certain that the parts belong together.
- ! Periodically check that all connections are secured and follow all care and maintenance instructions stated.
- ! If you encounter any assembly difficulties or missing components and/or hardware, please contact our Customer Support for further assistance.

Hardware List

Please ensure that all parts and hardware are in the packaging contents. If there are any missing parts and/or hardware, please contact our Customer Support as soon as possible.

<p>Part A 71pcs</p>	<p>Part B 24pcs 8x40mm</p>	<p>Part C 4 sets</p>	<p>Part D 40pcs M3.5x14mm</p>
<p>Part E 30pcs M3.5x35mm</p>	<p>Part F 10pcs</p>	<p>Part G 1 set 450mm</p>	<p>Part H 26pcs</p>
<p>Part I 3 sets</p>	<p>Part J 6 sets</p>	<p>Part K 22pcs M7x50mm</p>	<p>Part L 2 sets</p> <ul style="list-style-type: none"> L1 L2 14x3.5mm L3 L4 35x3.5mm L5
<p>Part M 1pc</p>	<p>Part N 46pcs</p> <p>Hole sticker</p>		

Parts List



STEP 1

Part A1

6pcs



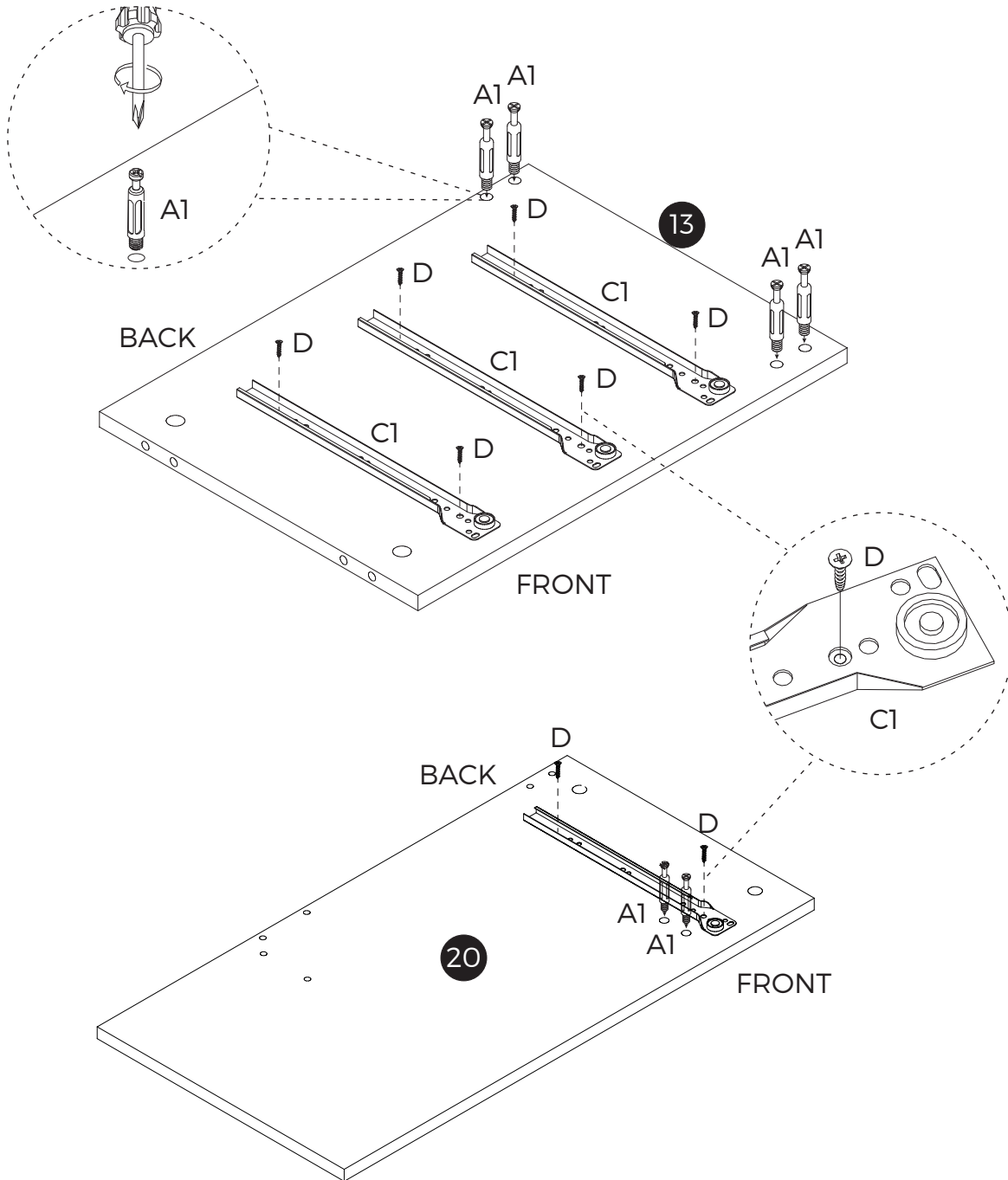
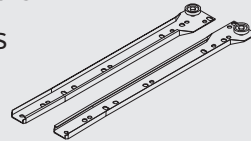
Part D

8pcs
M3.5x14mm



Part C1

4pcs



STEP 2

Part A1

8pcs



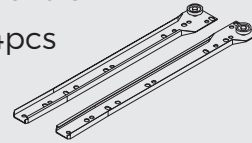
Part B

1pc
8x40mm



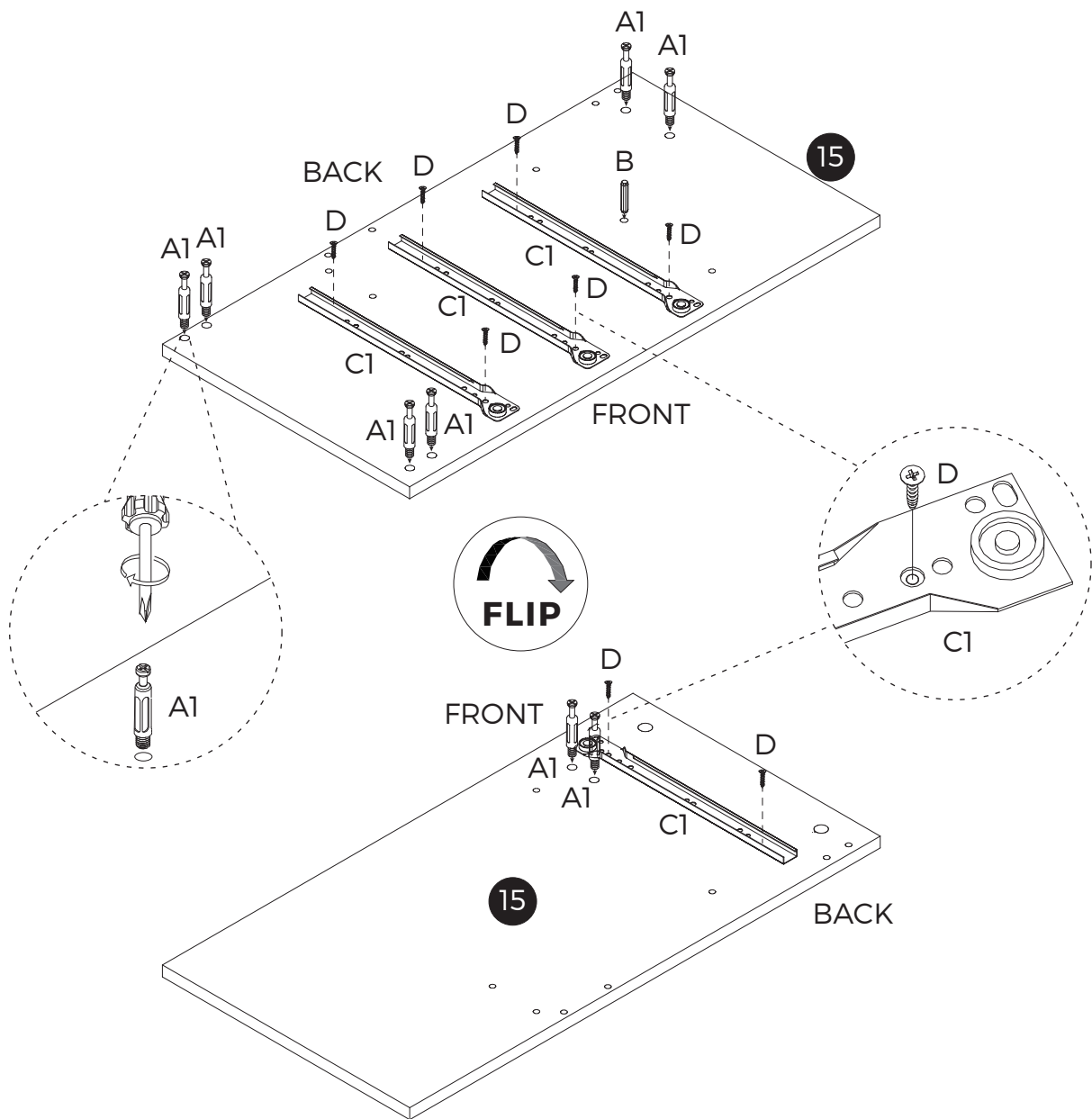
Part C1

4pcs



Part D

8pcs
M3.5x14mm



STEP 3

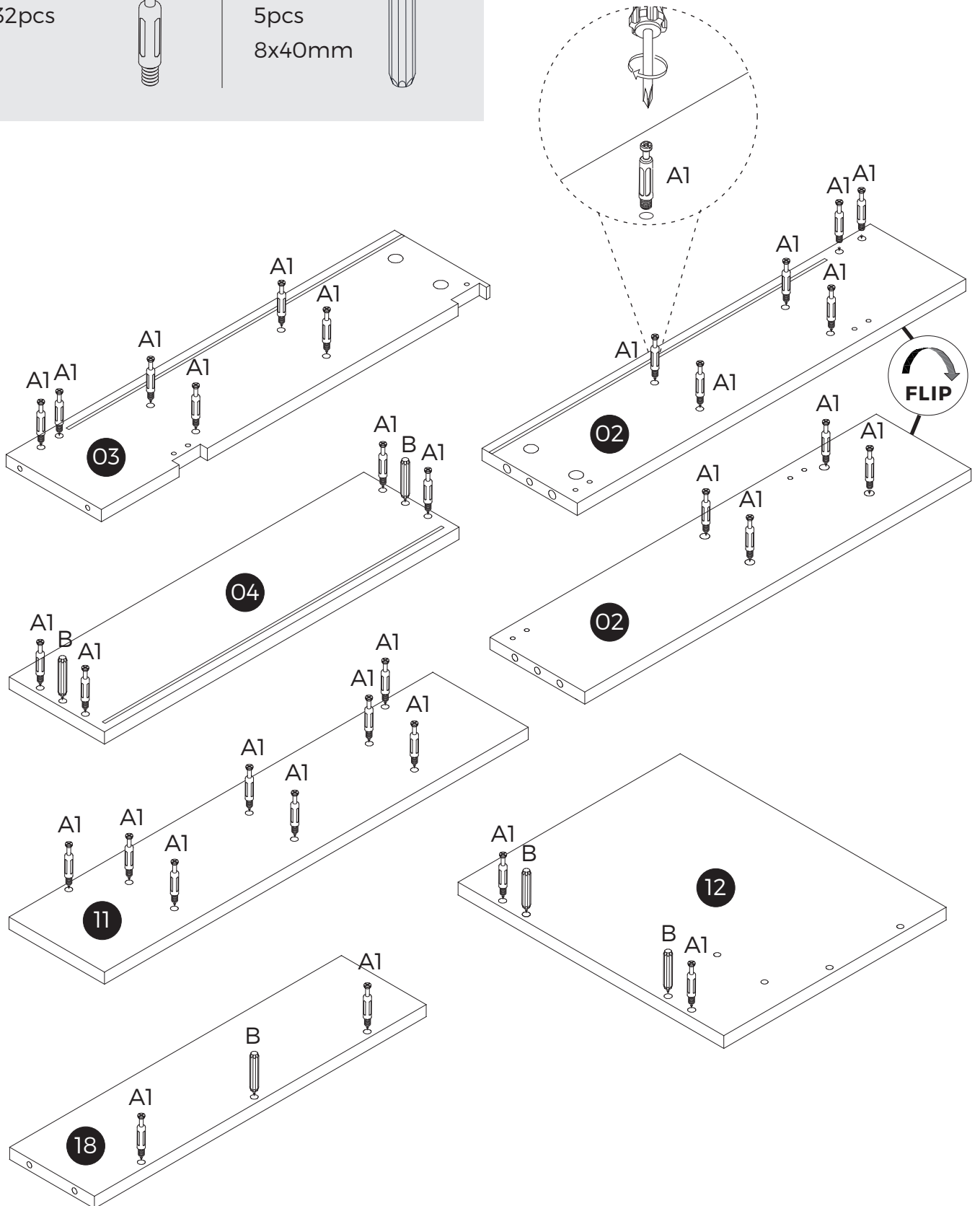
Part A1

32pcs



Part B

5pcs
8x40mm



STEP 4

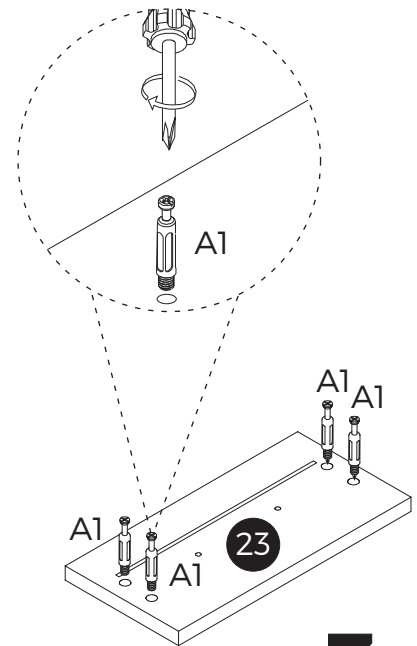
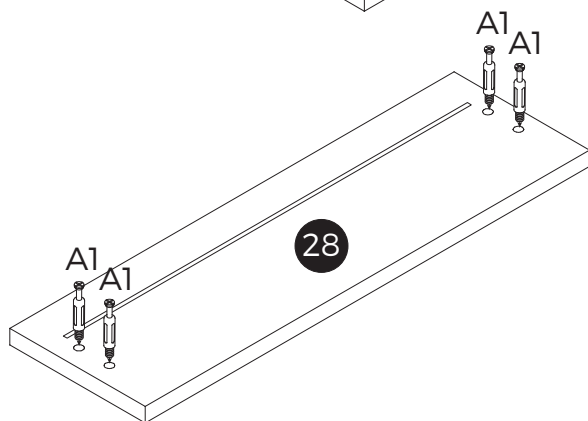
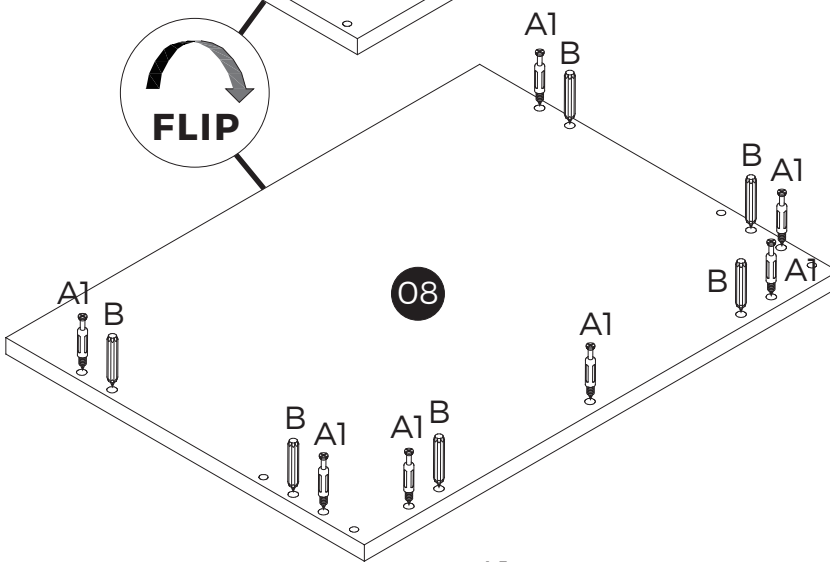
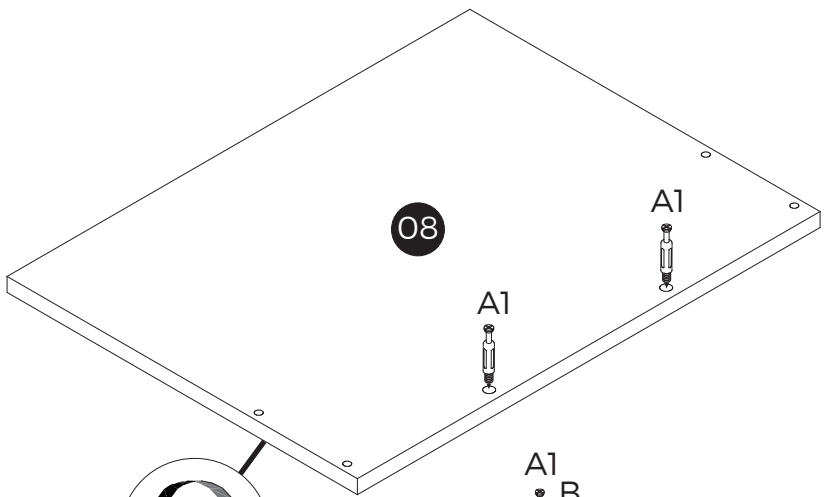
Part A1

25pcs



Part B

6pcs
8x40mm



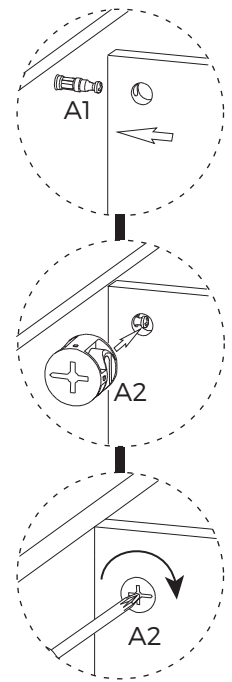
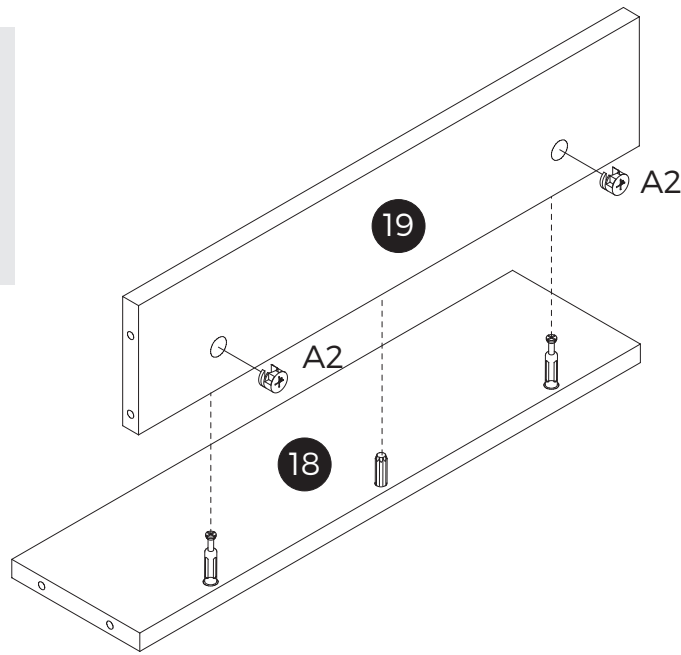
x3

Assemble 3 sets

STEP 5

Part A2

2pcs



STEP 6

Part A2

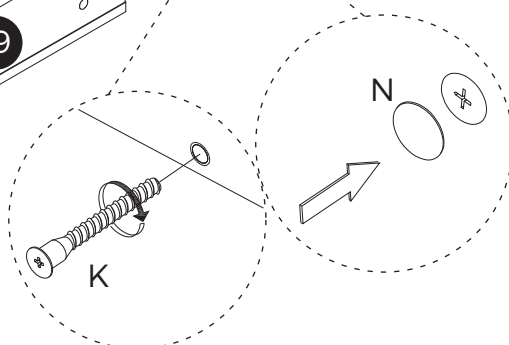
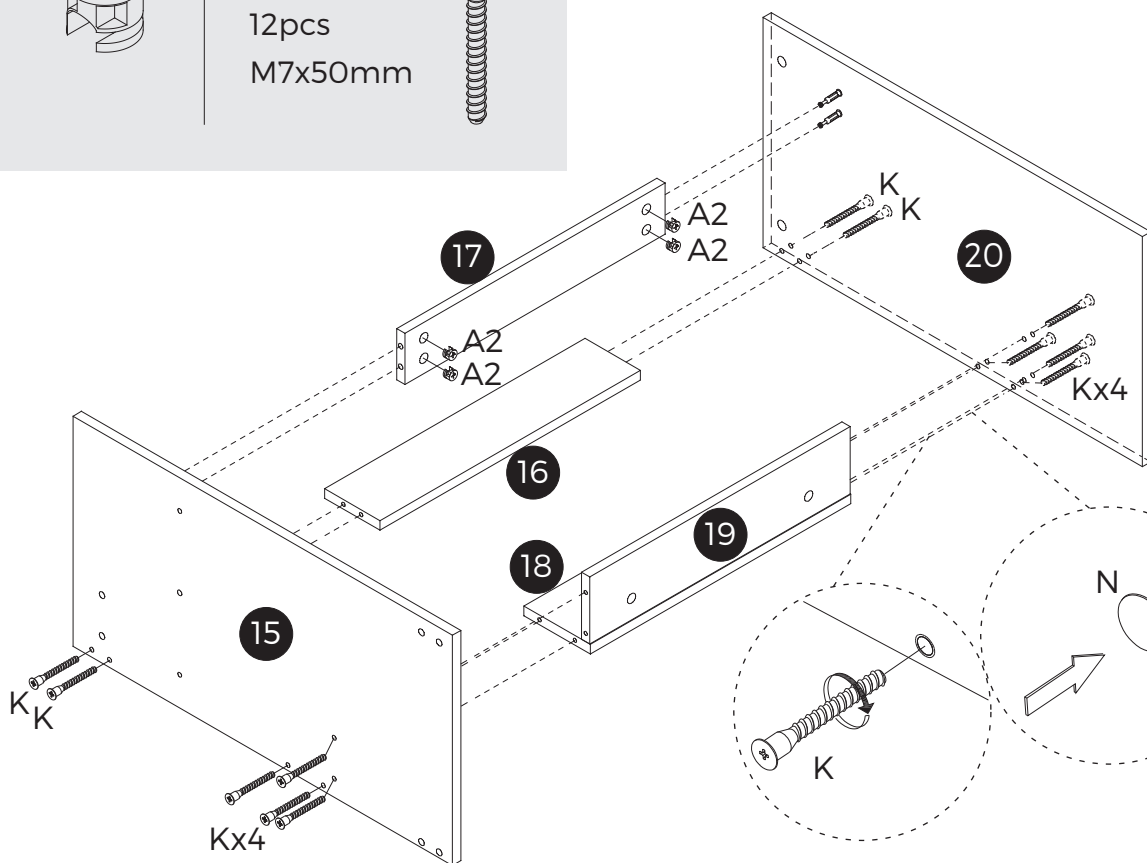
4pcs



Part K

12pcs

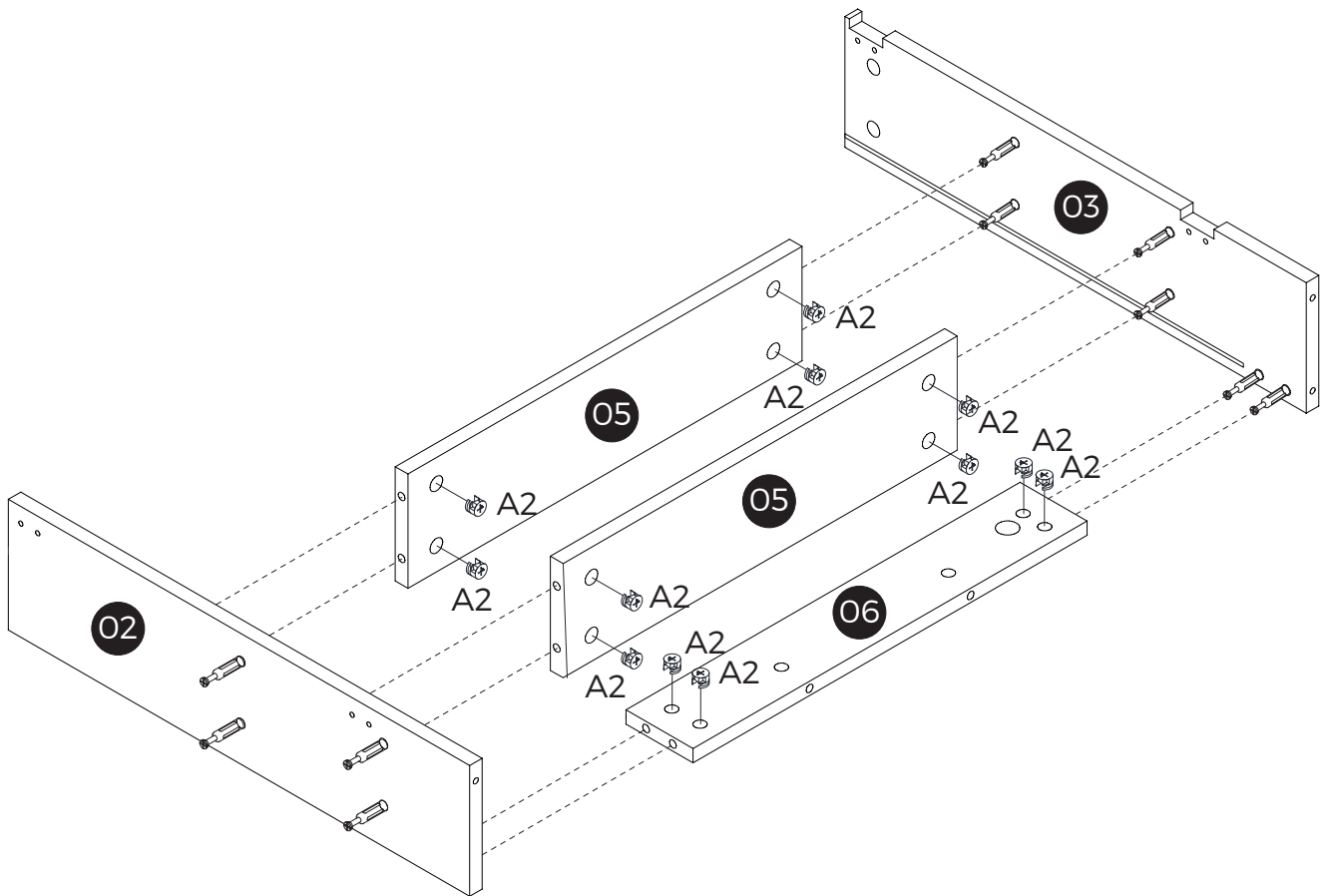
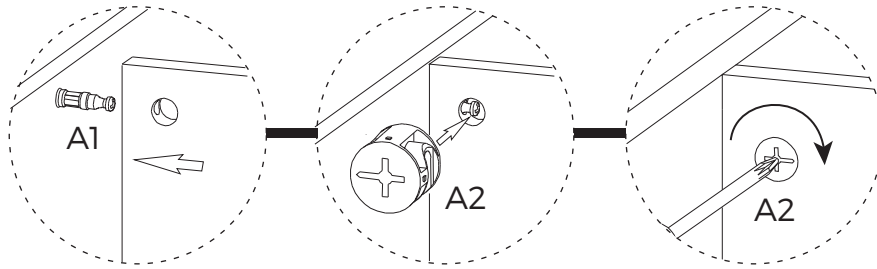
M7x50mm



STEP 7

Part A2

12pcs

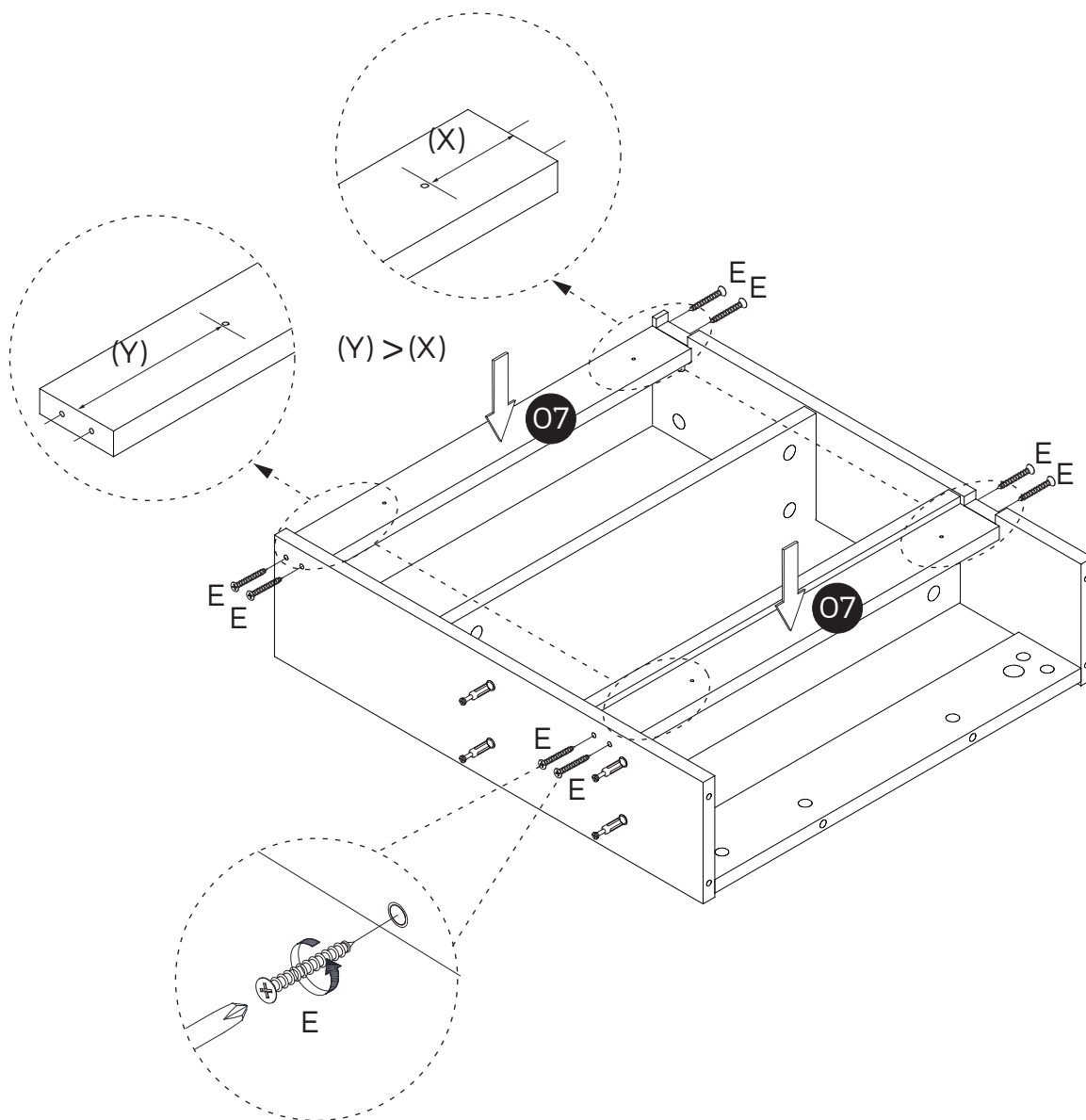


STEP 8

Part E

8pcs

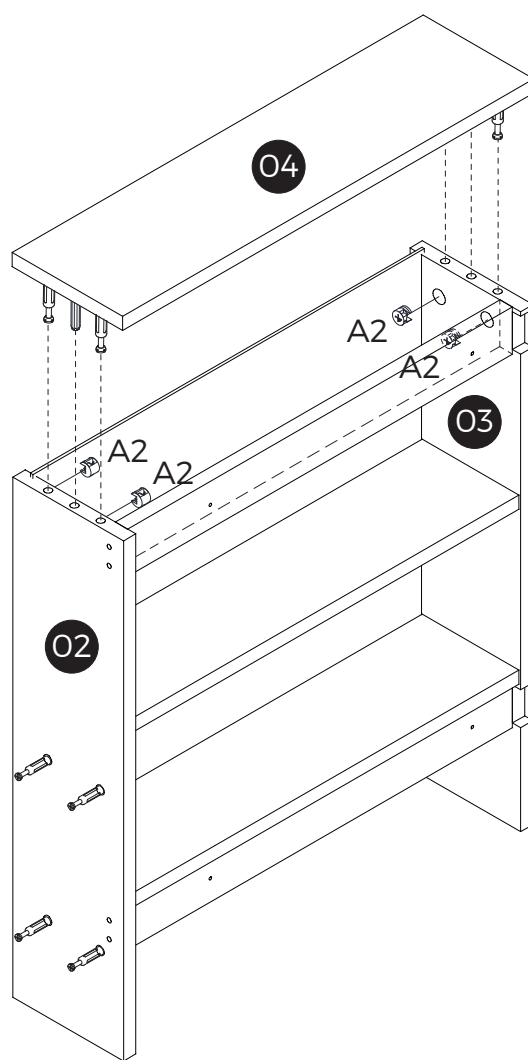
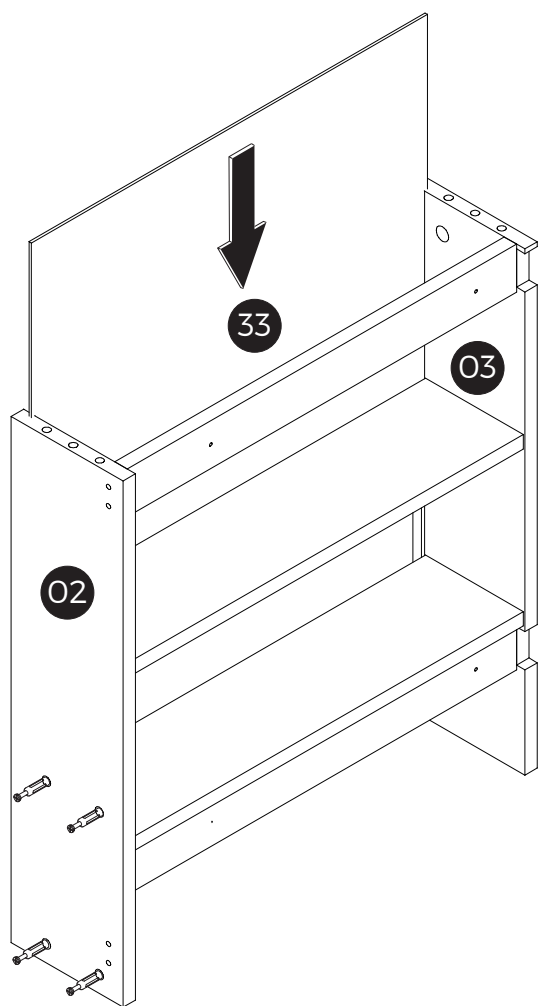
M3.5x35mm



STEP 9

Part A2

4pcs



STEP 10

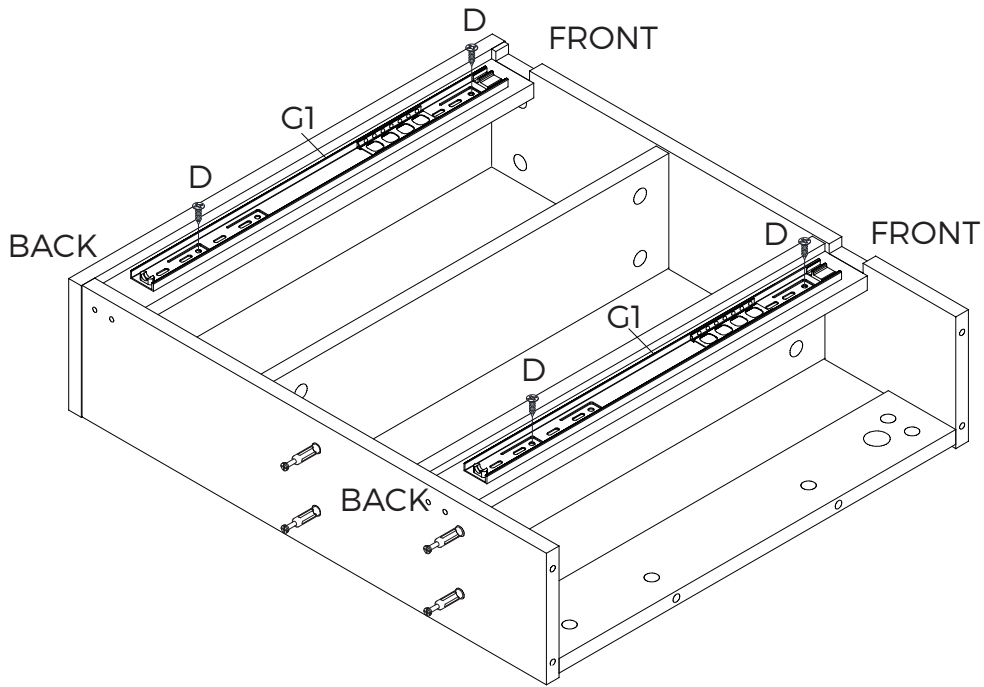
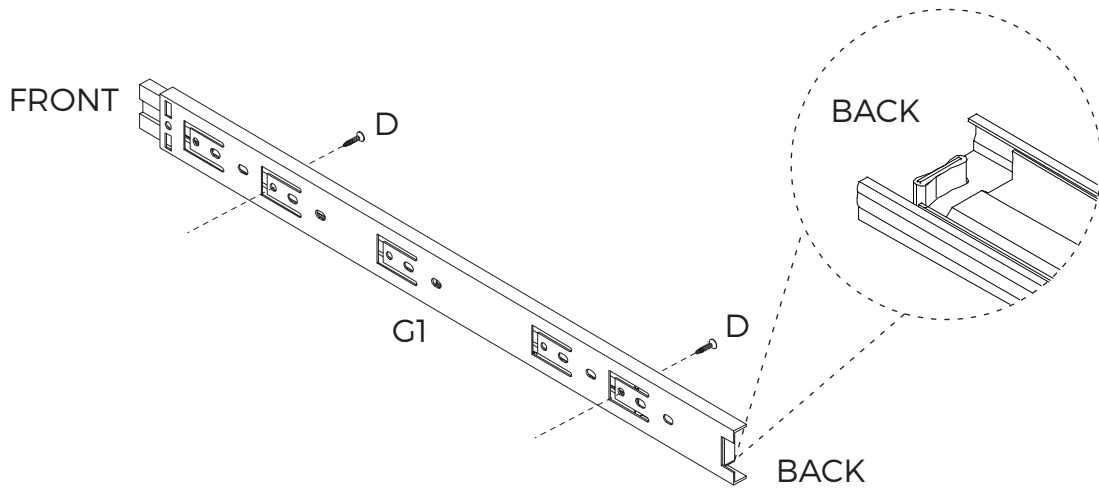
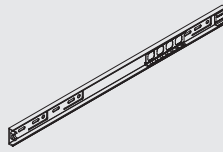
Part D

4pcs
M3.5x14mm



Part G1

2pcs
450mm



STEP 11

Part A2

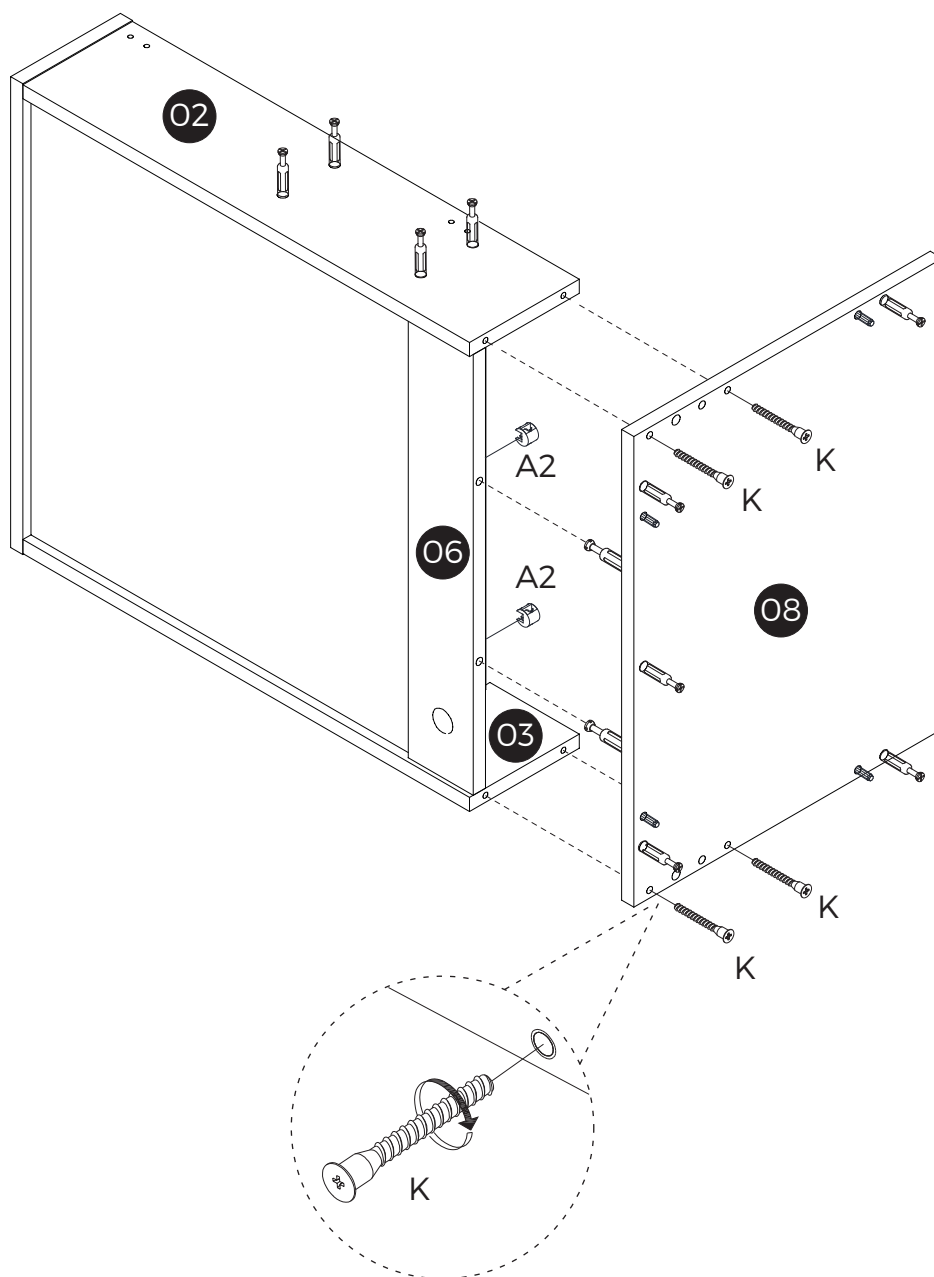
2pcs



Part K

4pcs

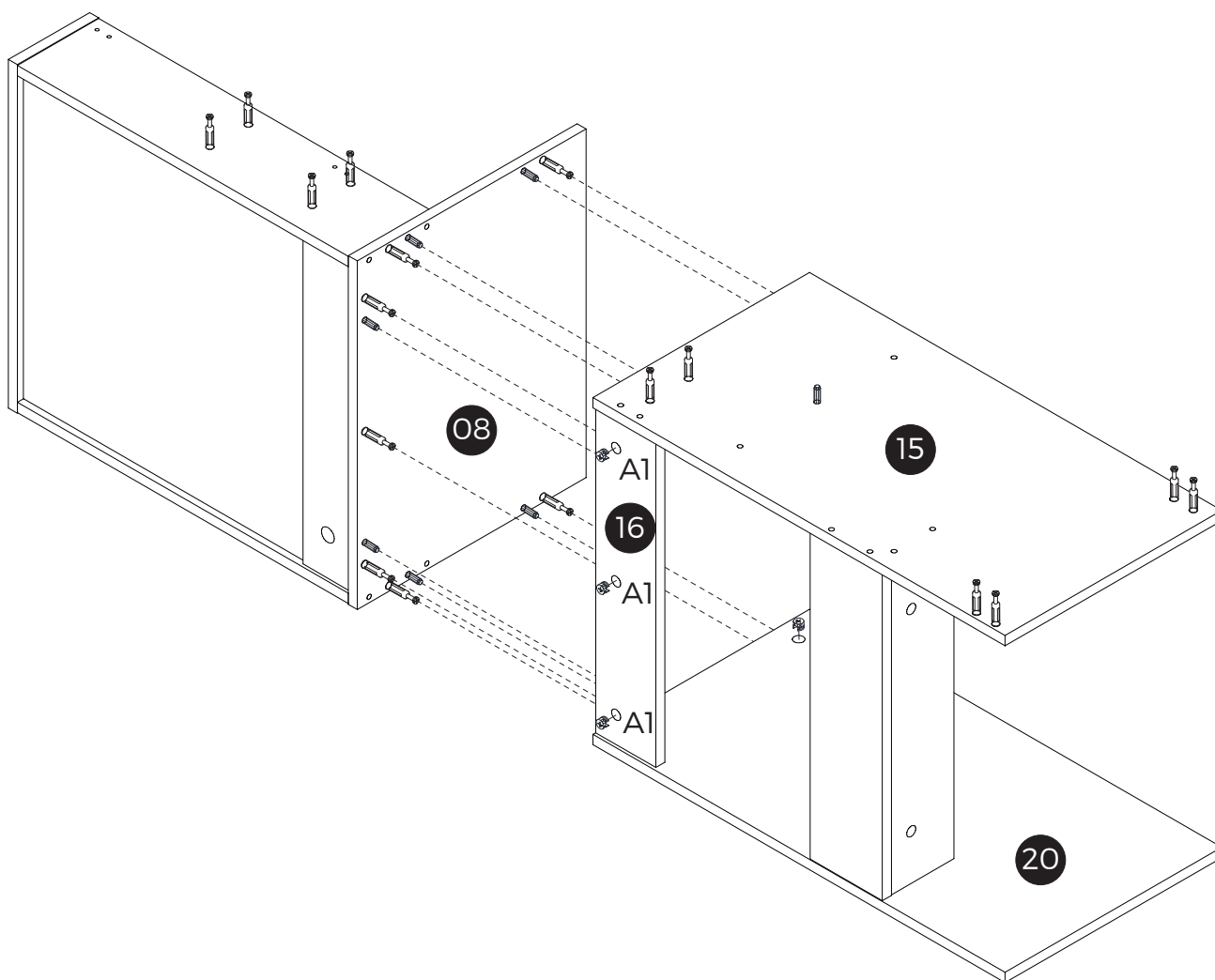
M7x50mm



STEP 12

Part A2

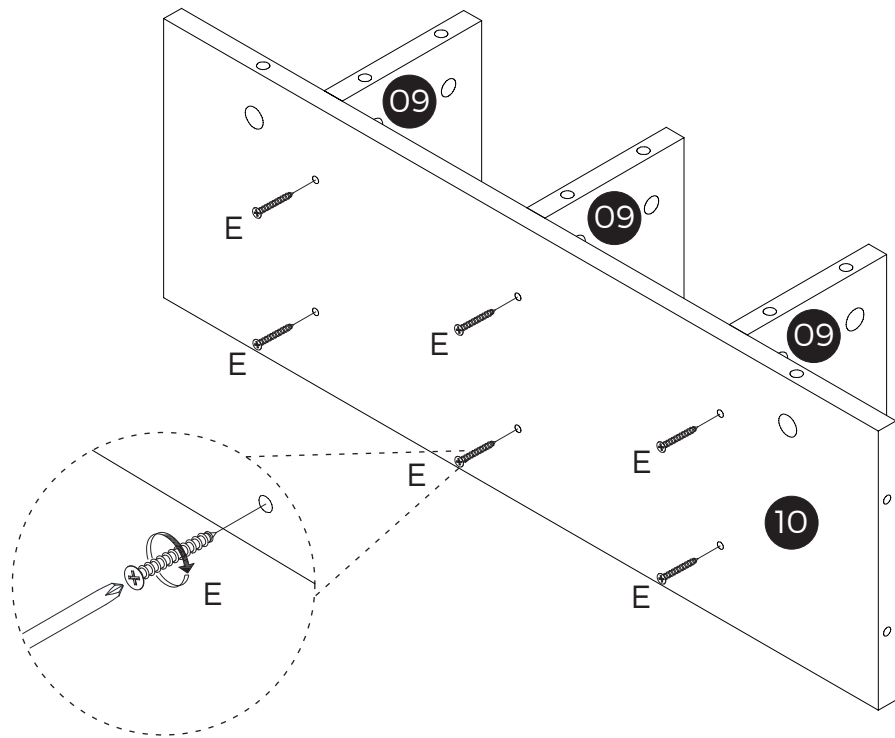
7pcs



STEP 13

Part E

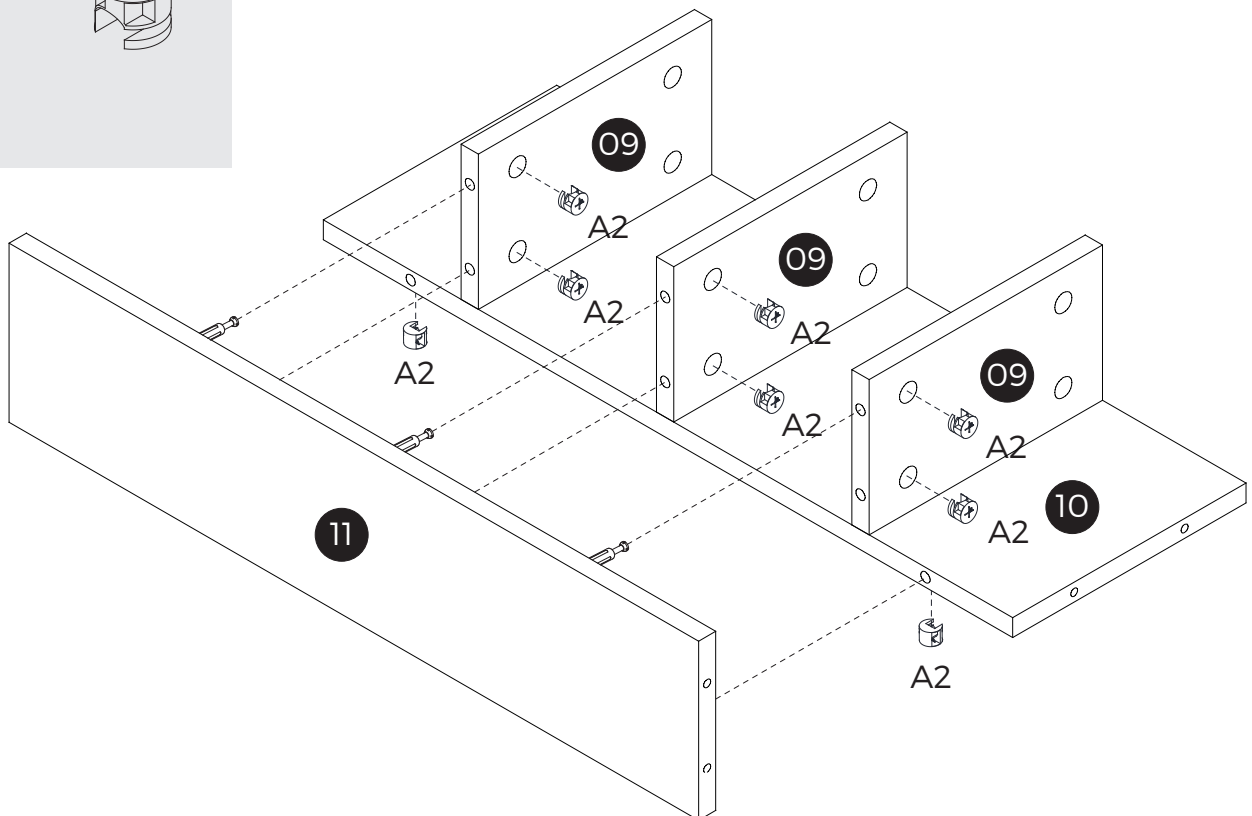
6pcs
M3.5x35mm



STEP 14

Part A2

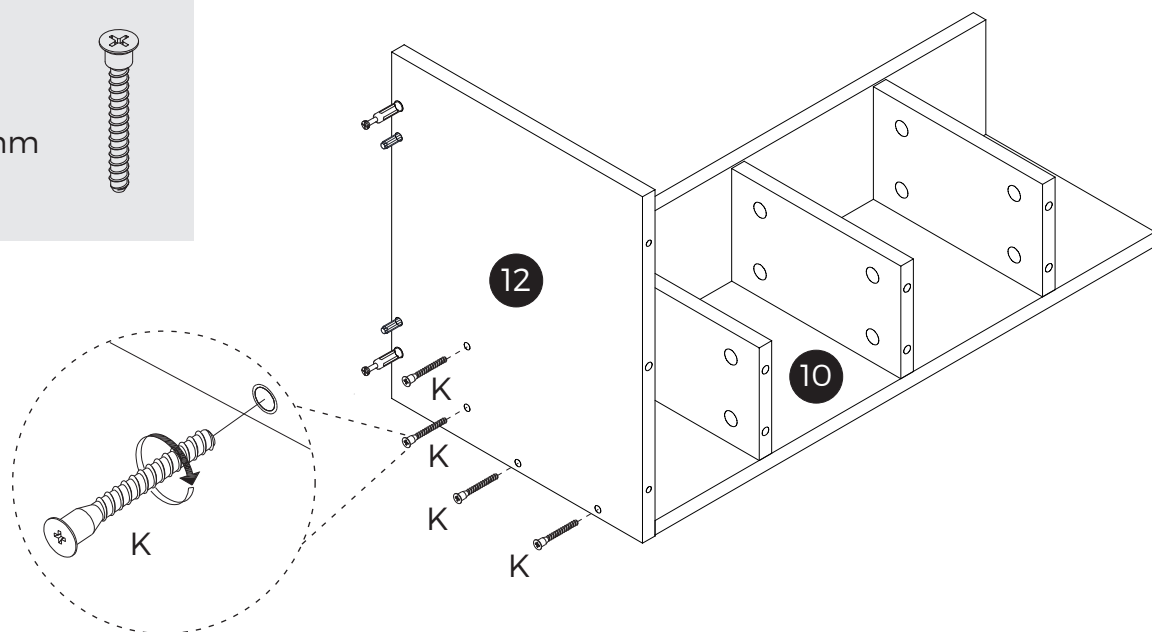
8pcs



STEP 15

Part K

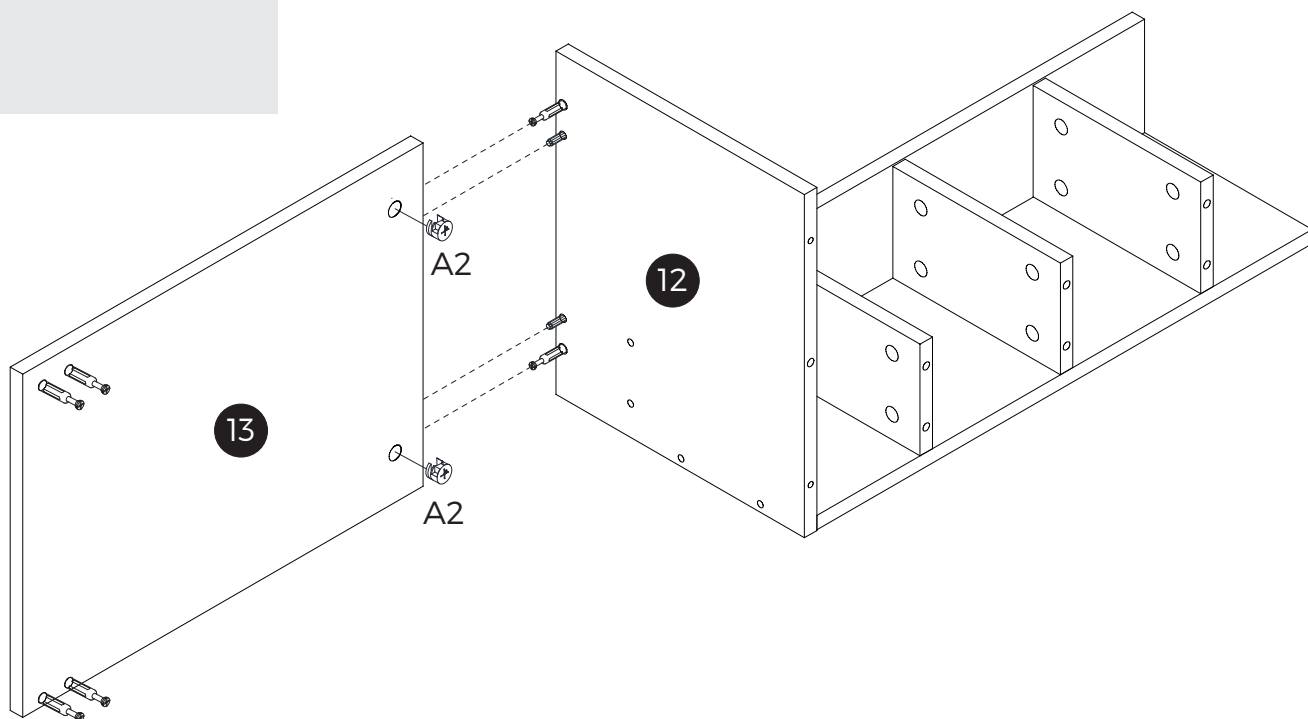
4pcs
M5x50mm



STEP 16

Part A2

2pcs



STEP 17

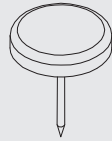
Part A2

14pcs



Part F

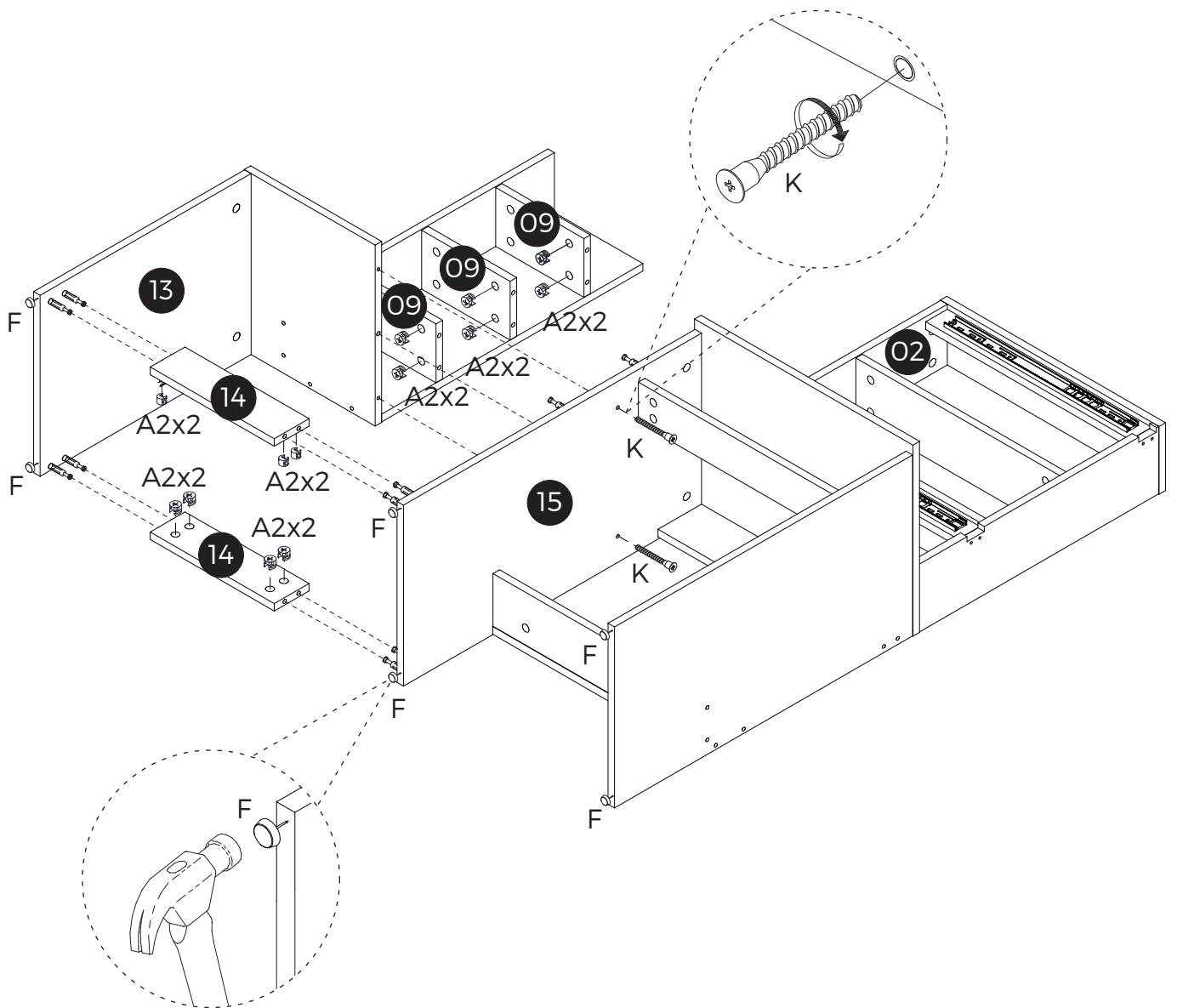
6pcs



Part K

2pcs

M5x50mm



STEP 18

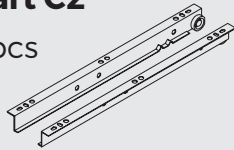
Part A2

12pcs



Part C2

6pcs



Part D

12pcs

M3.5x14mm



Part E

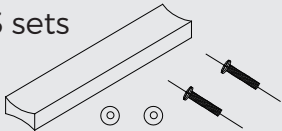
12pcs

M3.5x35mm



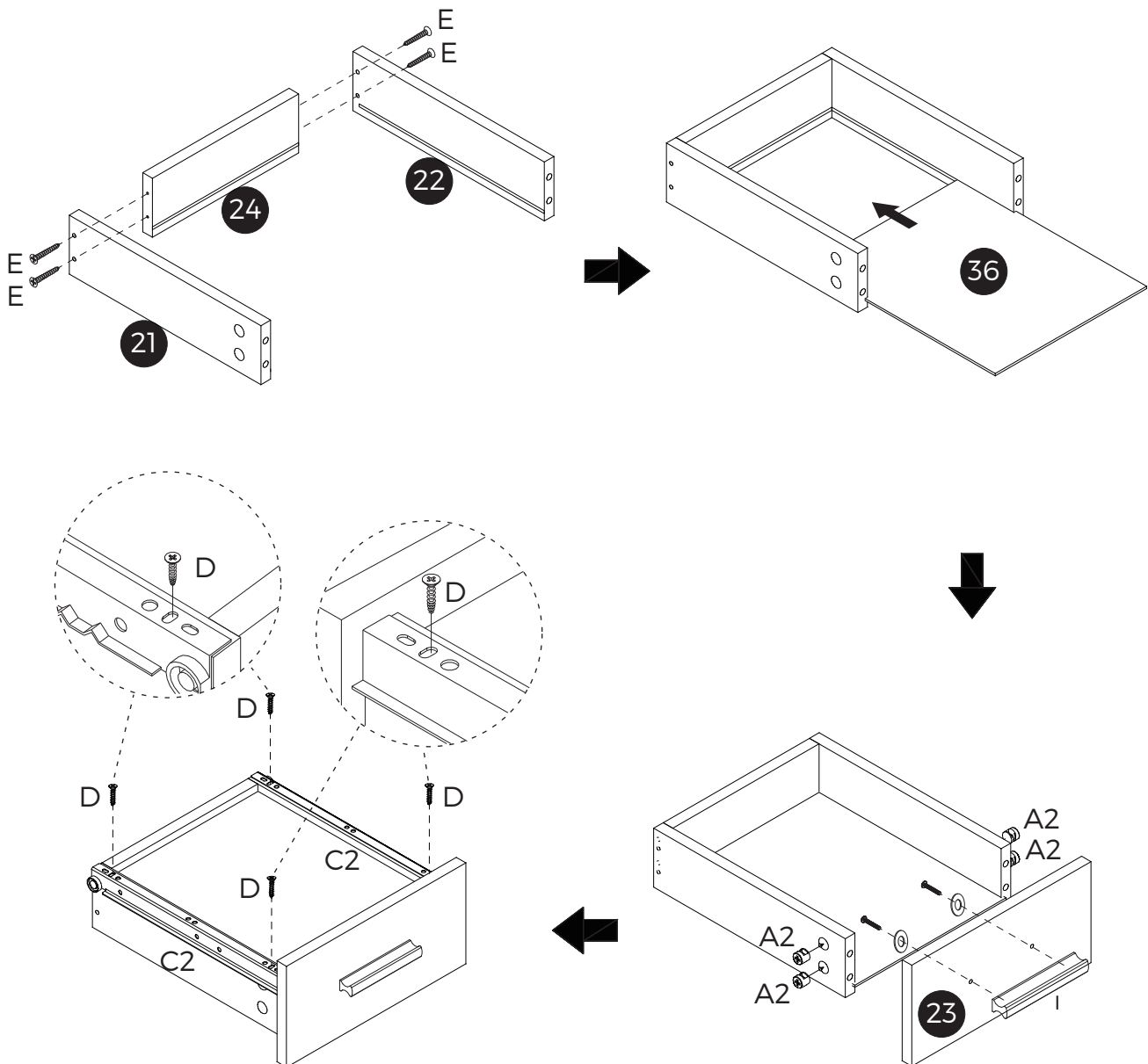
Part I

3 sets



x3

Assemble 3 small drawers



STEP 19

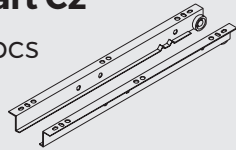
Part A2

4pcs



Part C2

2pcs



Part D

4pcs

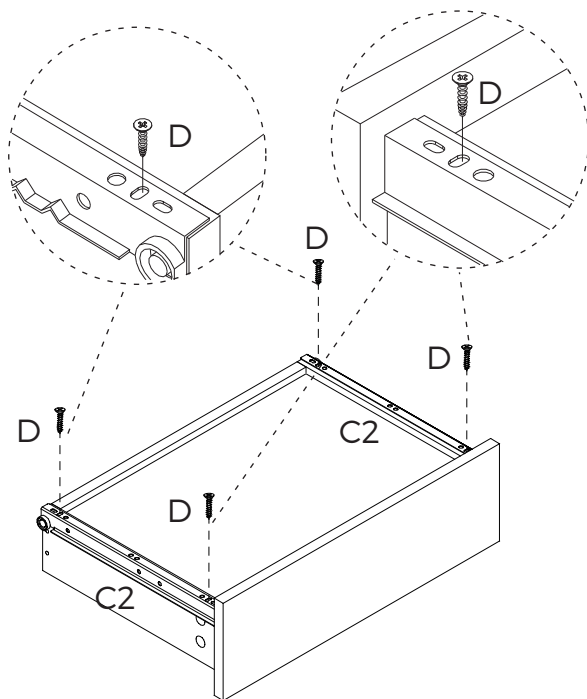
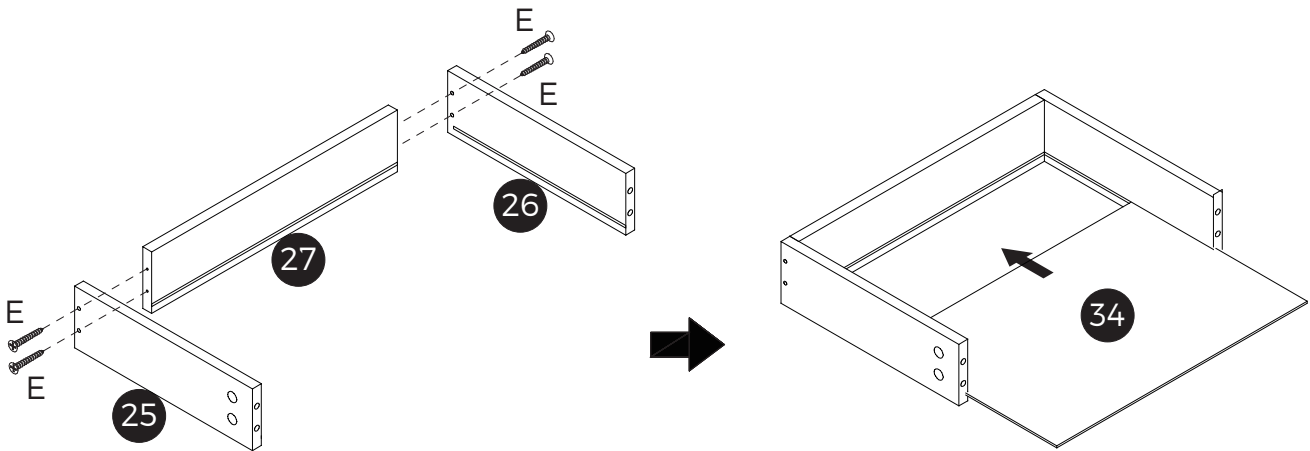
M3.5x14mm



Part E

4pcs

M3.5x35mm



STEP 20

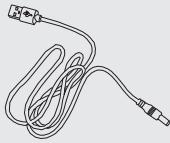
Part D

4pcs
M3.5x14mm



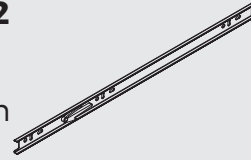
Part M

1pc



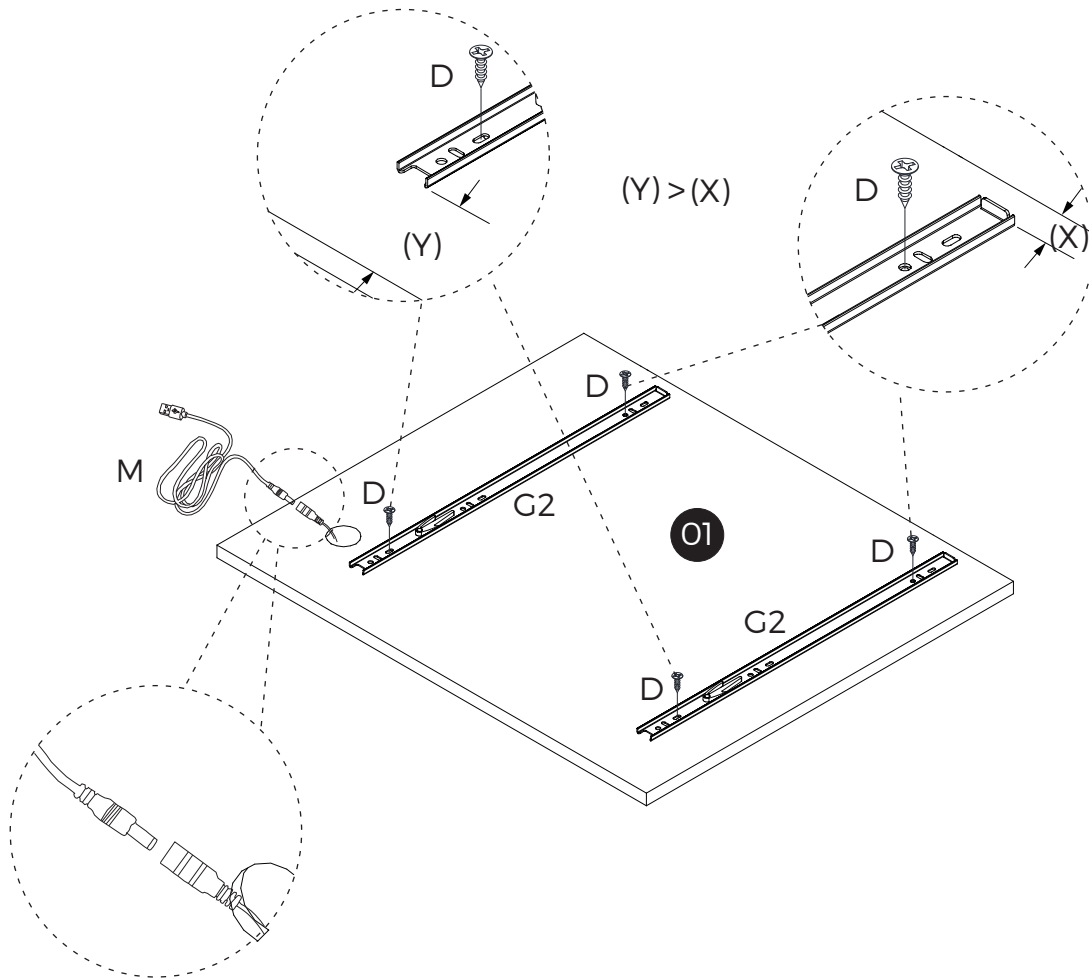
Part G2

2pcs
450mm



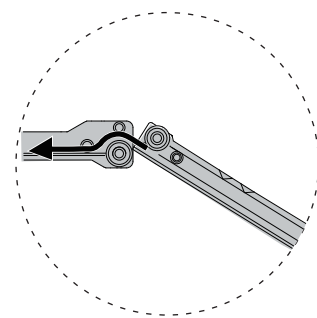
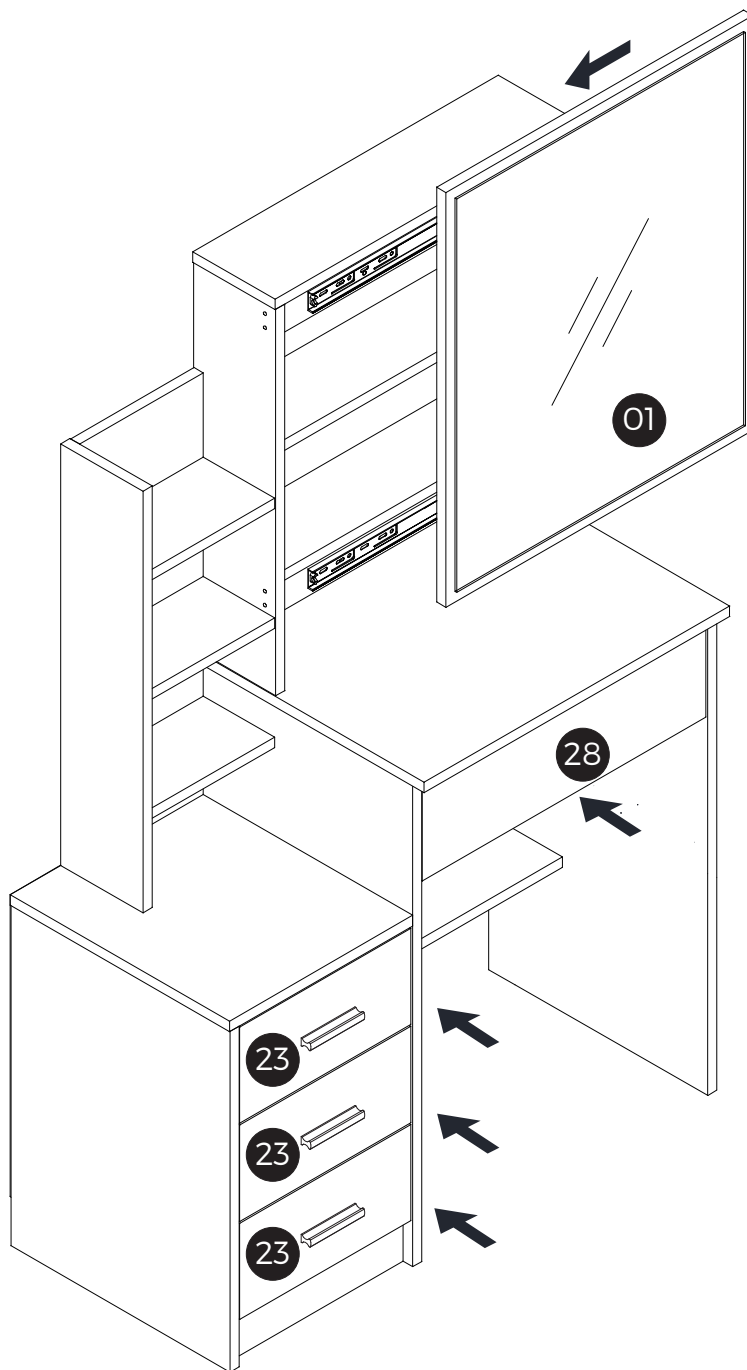
ATTENTION •

Please take note of the runner's G2 distance settings (X and Y) from the edge for Part D. They are not equidistant.



STEP 21

Slide in the mirror as shown.



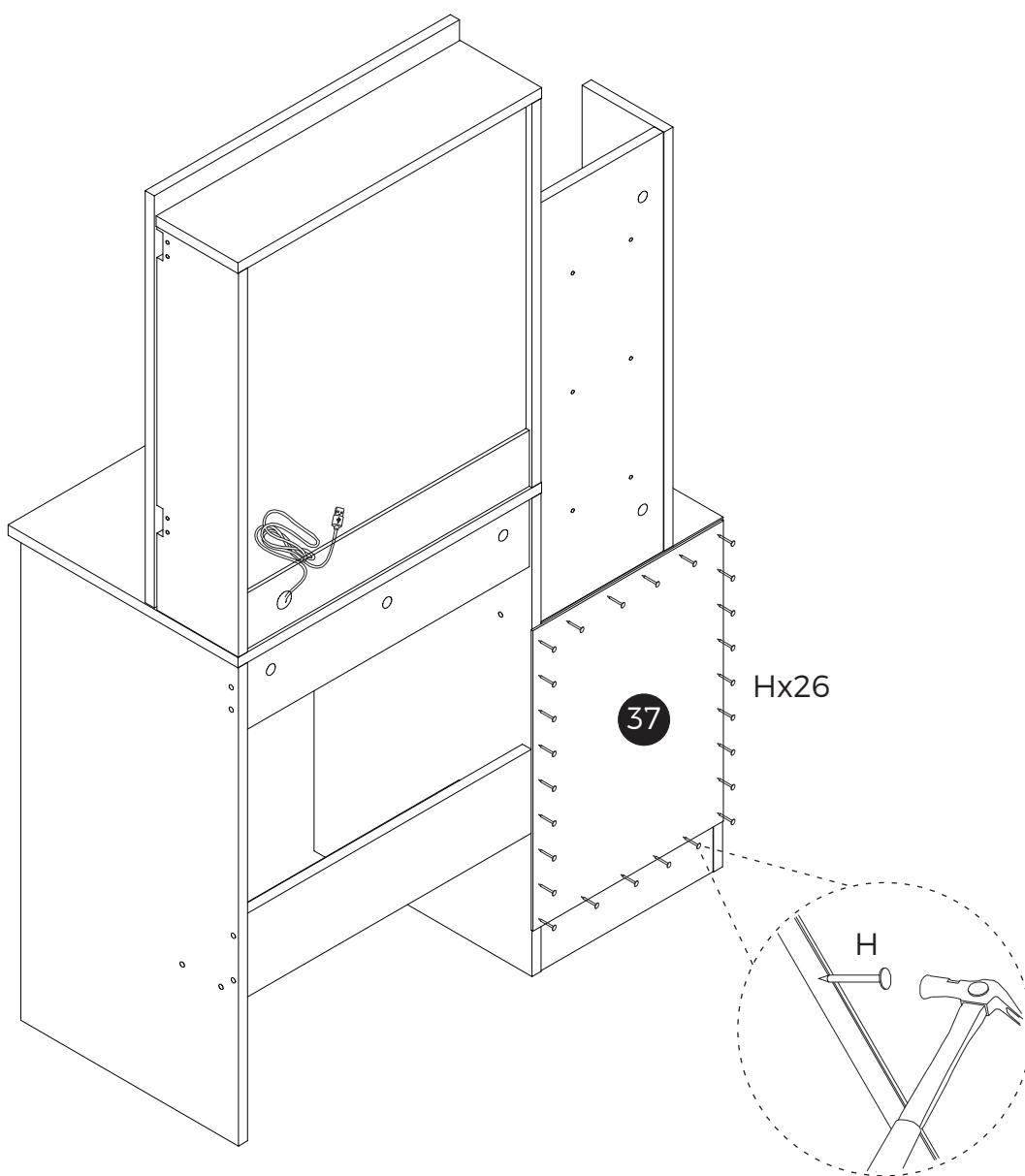
Slide in the drawers as shown.

STEP 22

Part H

26pcs

M3.5x14mm



STEP 23

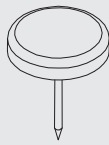
Part B

12pcs
8x40mm



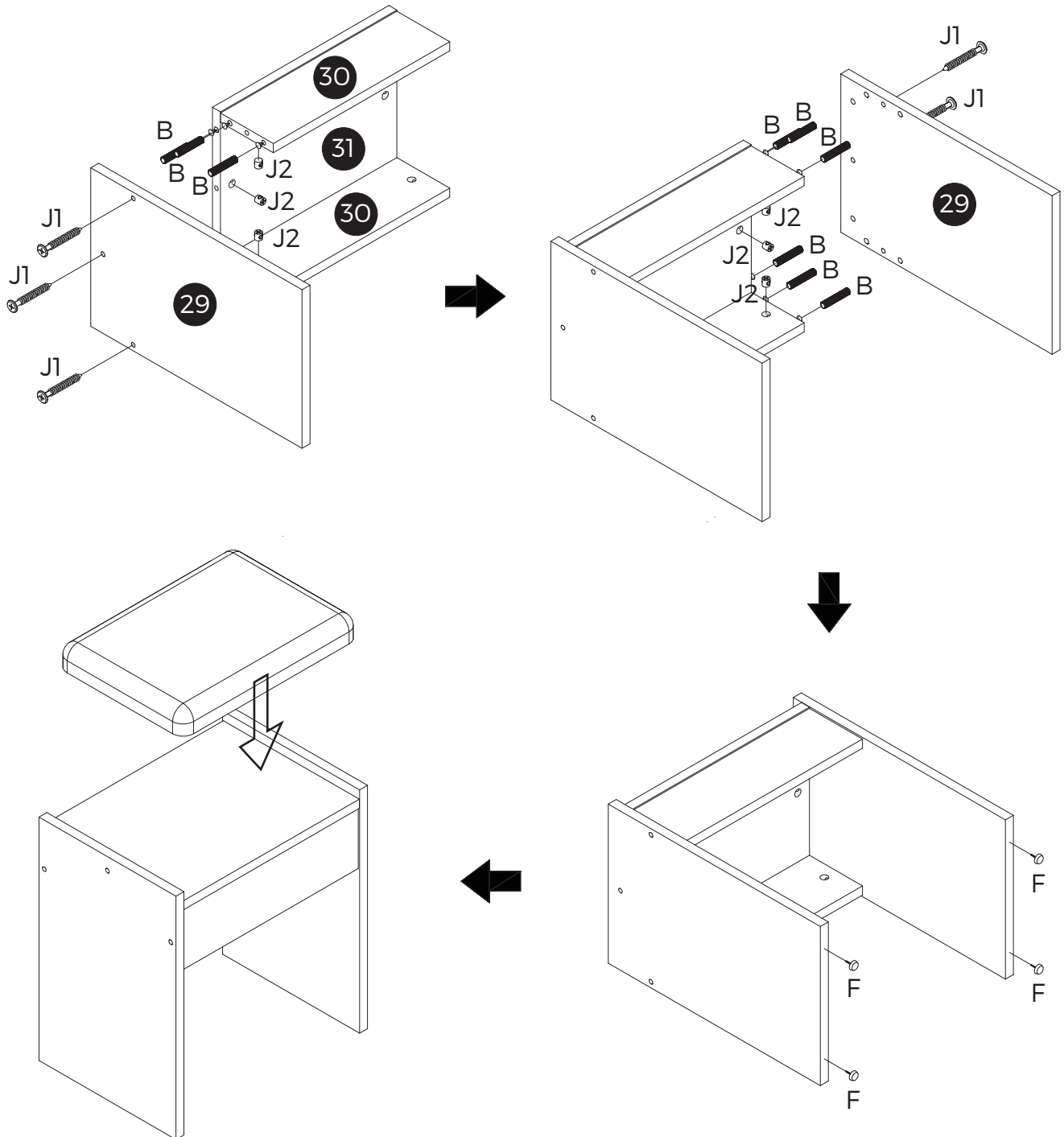
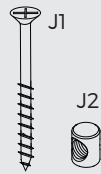
Part F

4pcs



Part J

6 sets



STEP 24

Part N

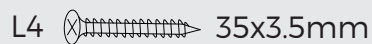
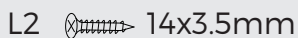
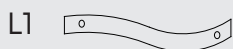
46pcs



Hole sticker

Part L

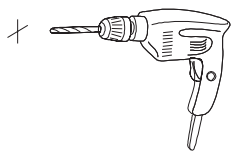
2 sets



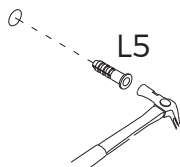
35x3.5mm

OPTIONAL •

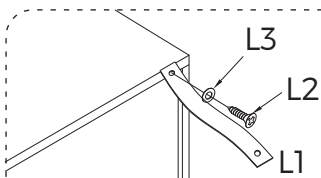
Please do this step only if you wish to secure the product to a wall. We recommend that you do so for safety reasons.



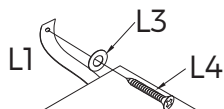
Mark and drill a hole in the wall.



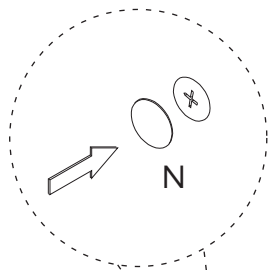
Lightly tap L5 into hole



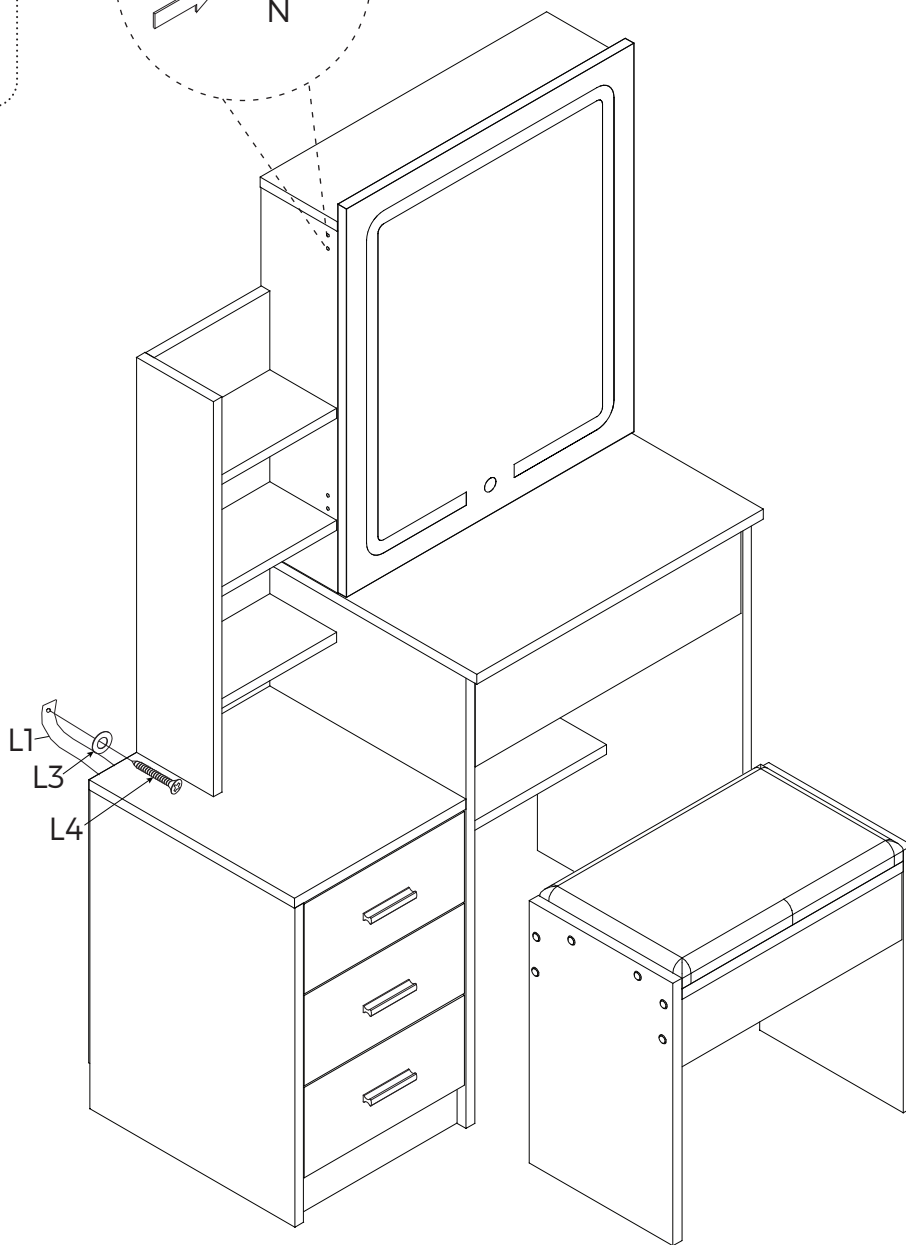
Attach L1 to back of bedside table with L2 and L3



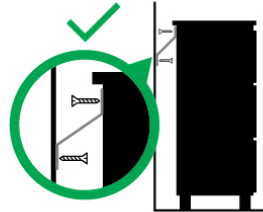
Secure L1 to wall with L3 and L4



Place the stickers N over the screw holes.



⚠ WARNING



Children have died from furniture tipover.

- ALWAYS secure this furniture with an anchor device.
- NEVER allow children to stand, climb or hang on drawers, doors, or shelves.

Well done!