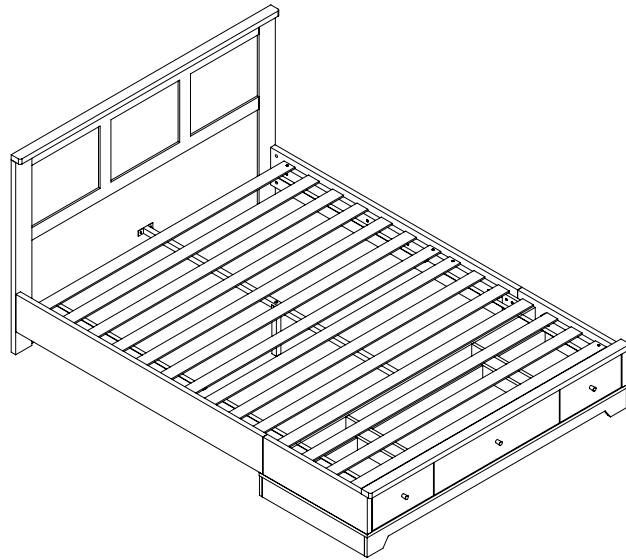


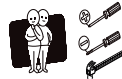
BED FRAME

MODEL:BF-ELIS-D/Q-WH



ASSEMBLY INSTRUCTIONS

Please read instructions carefully before assembly.



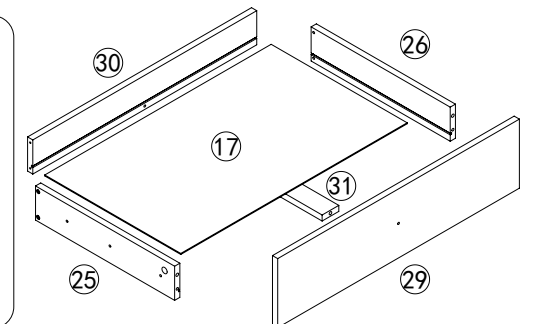
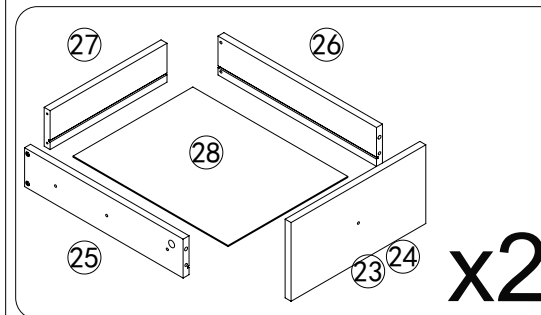
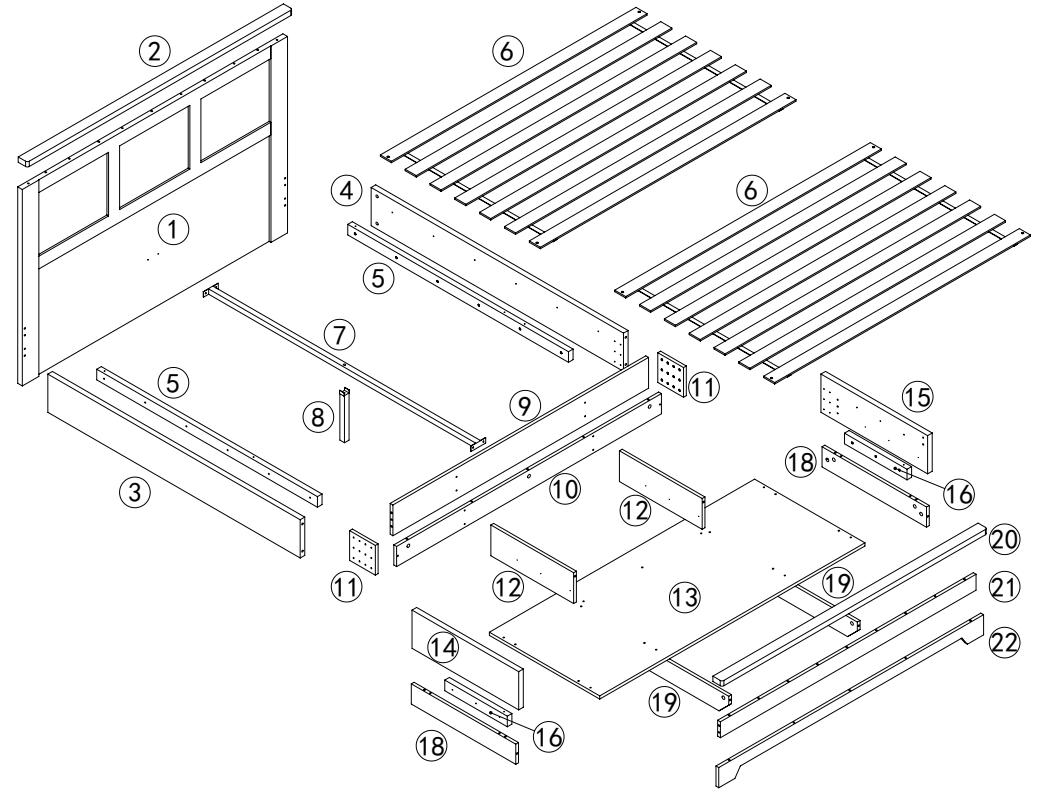
Two persons and tools required for assembly

HARDWARE

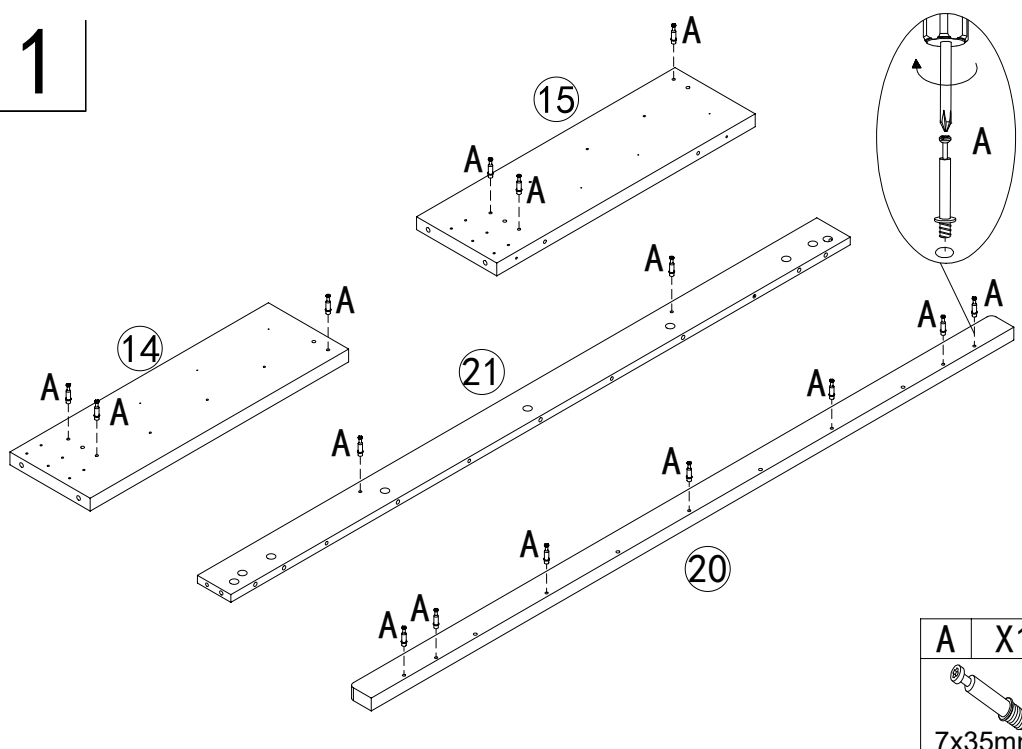
A	x45	B	x39	C	x4	D	x1	E	x1	F	x10
7x35mm		Ø6x30mm		Ø8x50mm		M8x40mm		M5		M3x14mm	
G	x36	H	x6	I	x49	J	x45	K	x4	L	x4
M3x12mm				M4x40mm		15x12mm		M6x60mm			
M	x32	N	x4	O	x3	P	x3	Q	x12	R	x1
M4x30mm		M6x12mm		M4x18mm							
										M4	

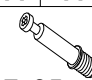
PARTS

Wipe with dry cloths

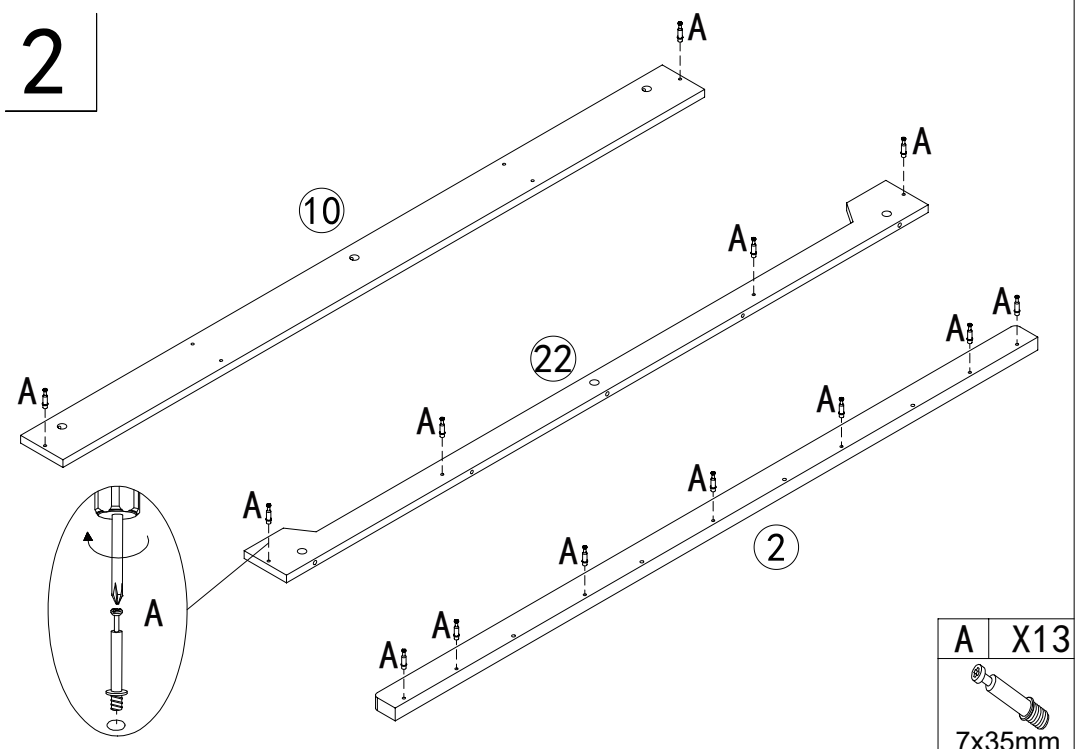



1



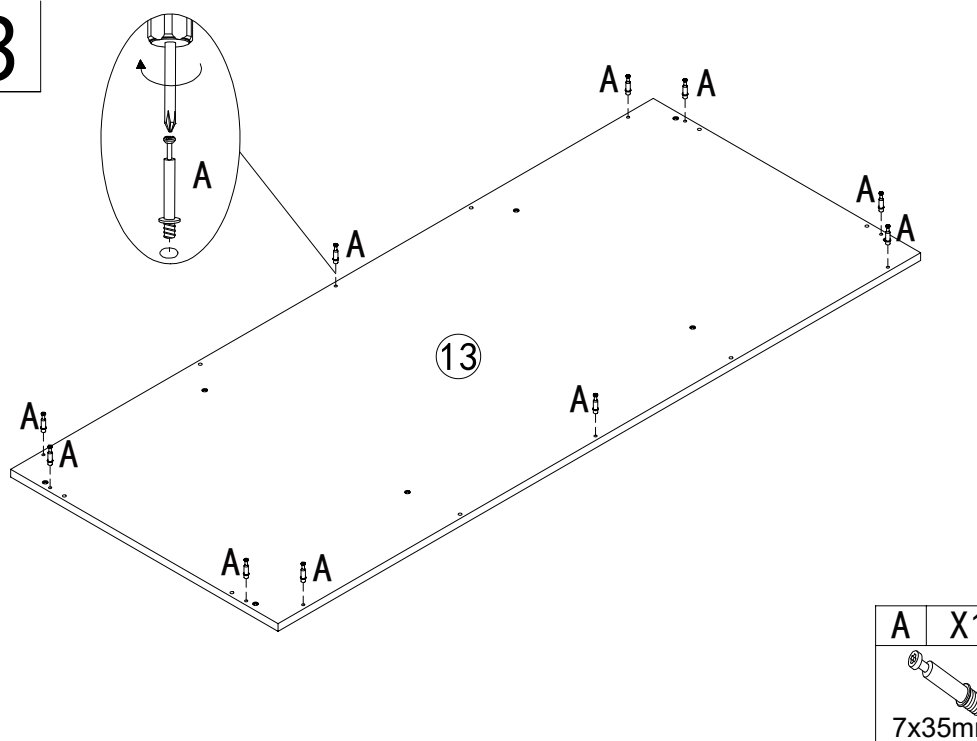
A	X15
 7x35mm	

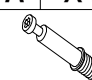
2



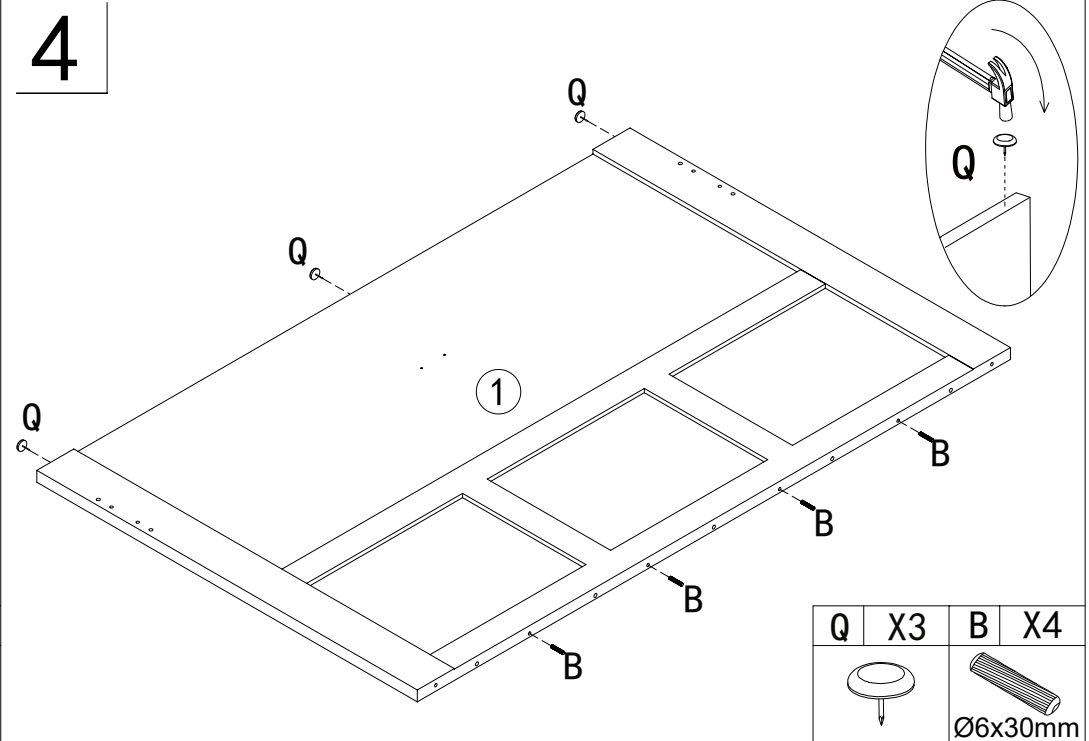
A	X13
 7x35mm	


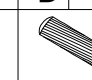
3



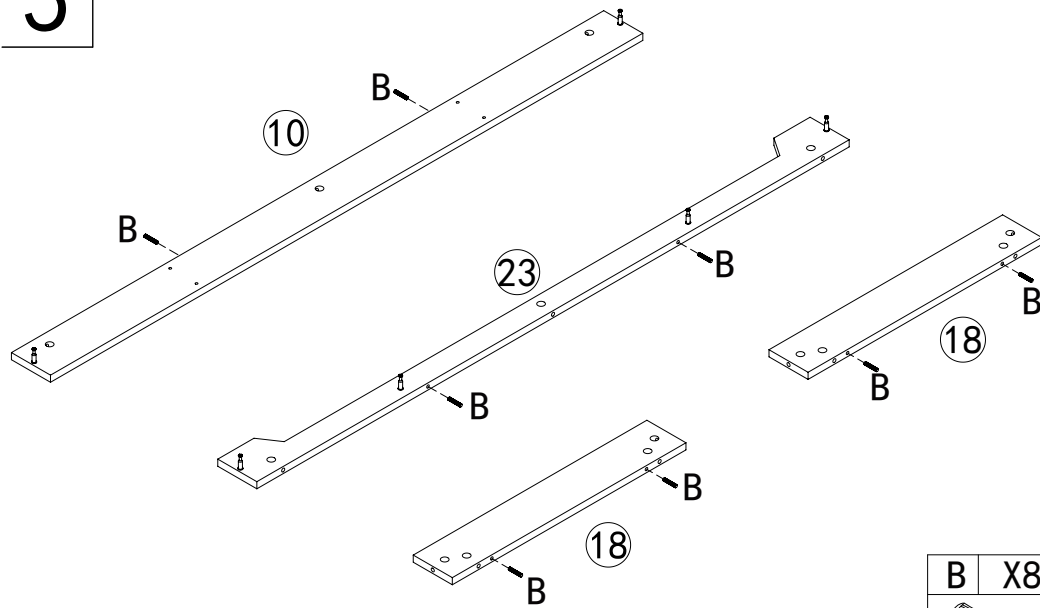
A	X10
 7x35mm	


4



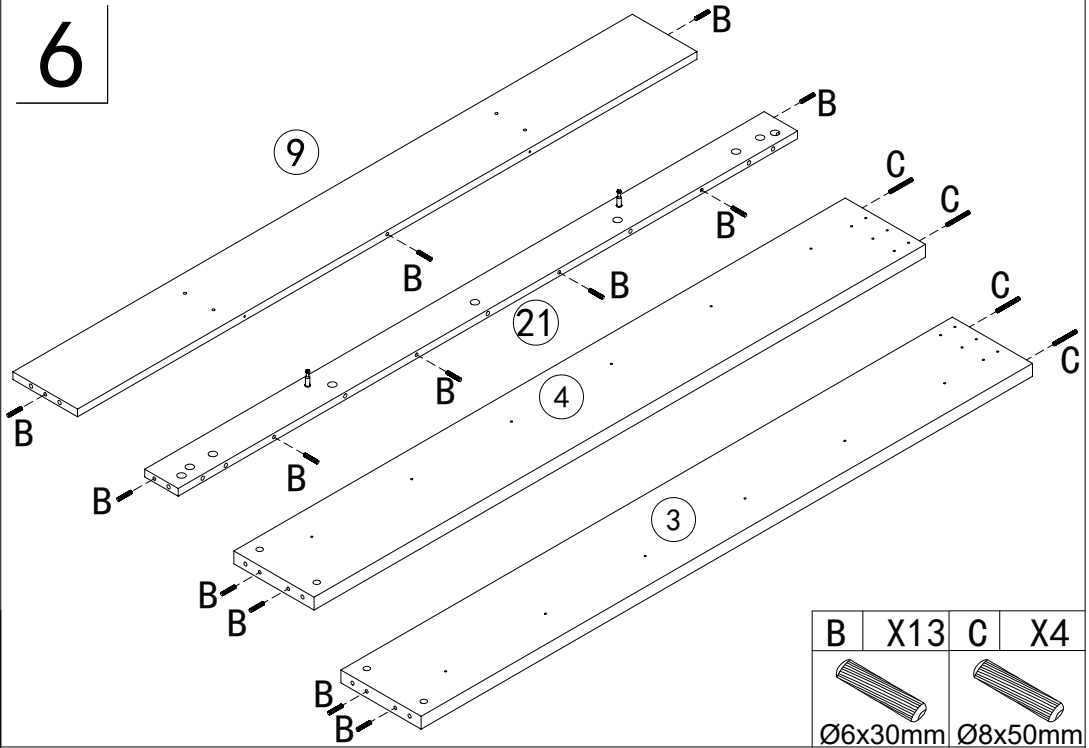
Q	X3	B	X4
		 Ø6x30mm	

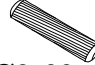
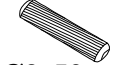
5



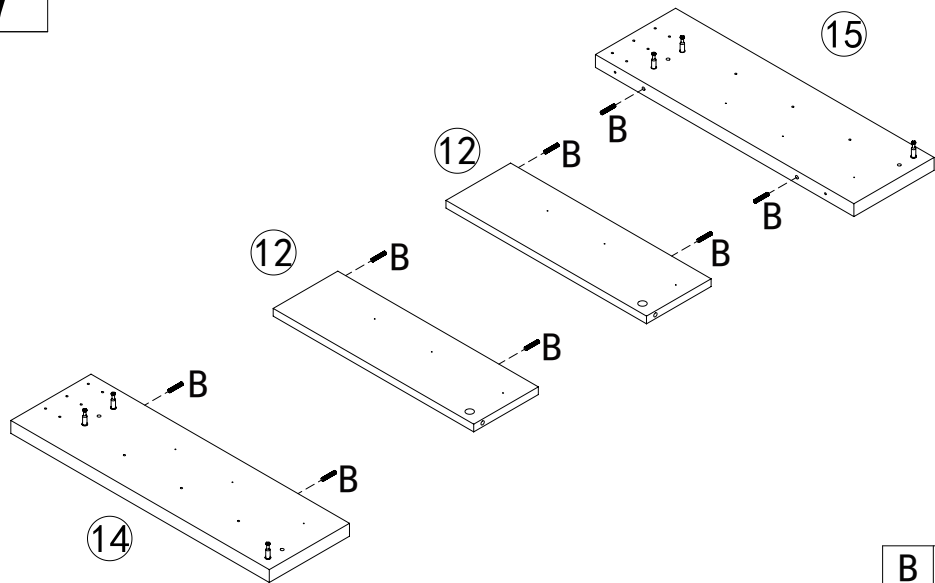
B	X8
 Ø6x30mm	

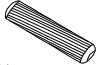
6



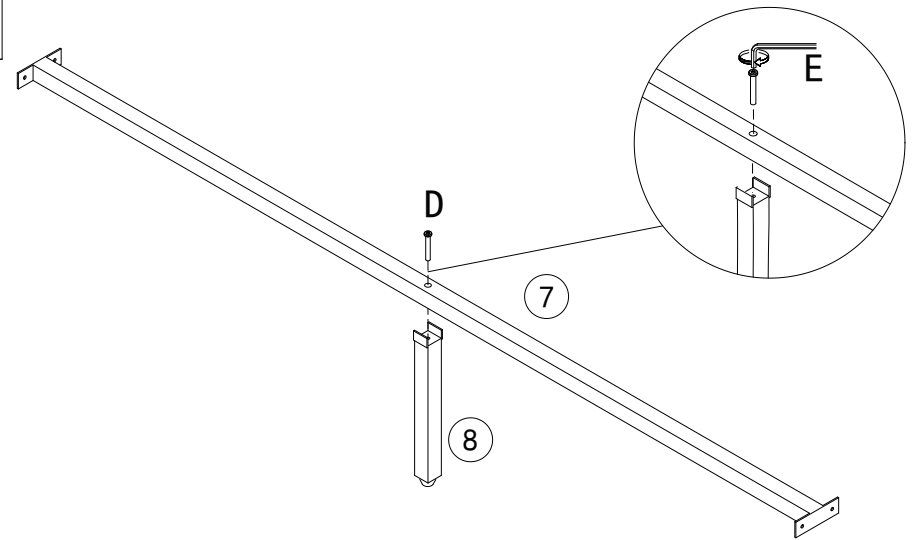
B	X13	C	X4
 Ø6x30mm		 Ø8x50mm	


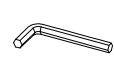
7



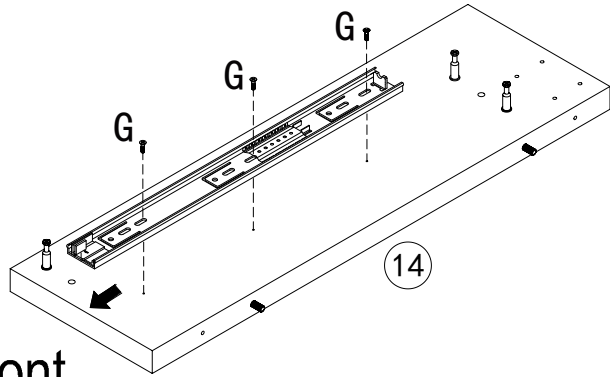
B	X8
 Ø6x30mm	

8

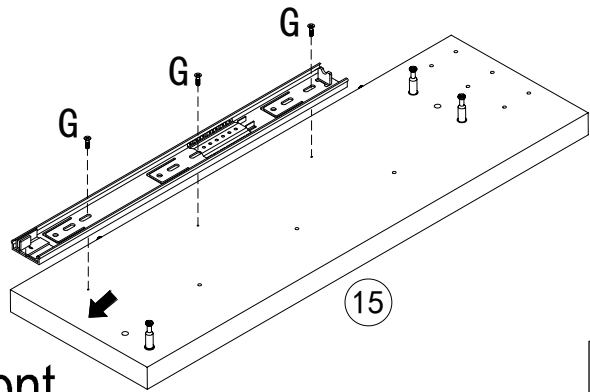


D	X1	E	X1
 M8x40mm		 M5	

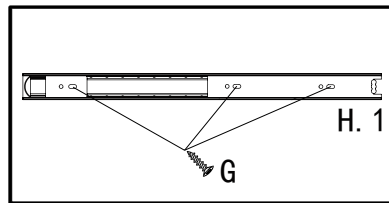
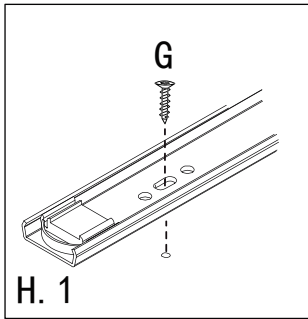
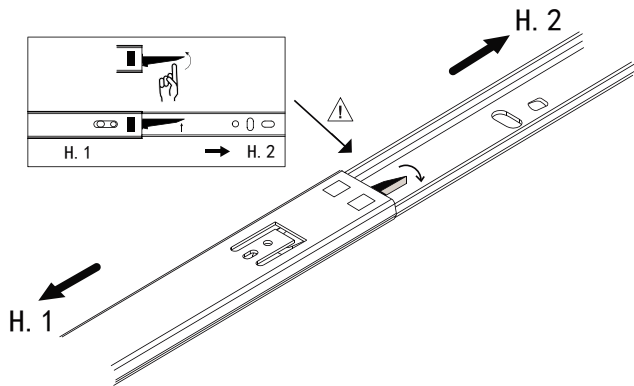
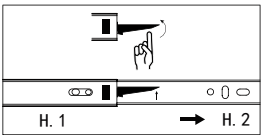
9



Front

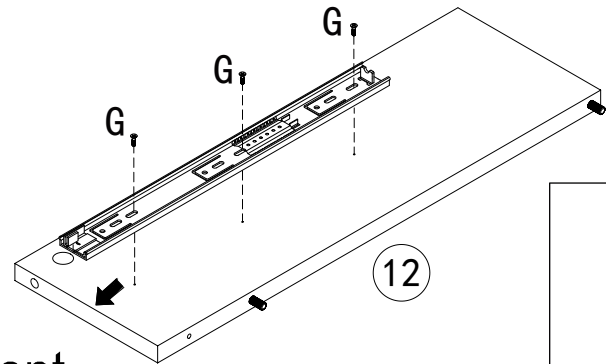


Front

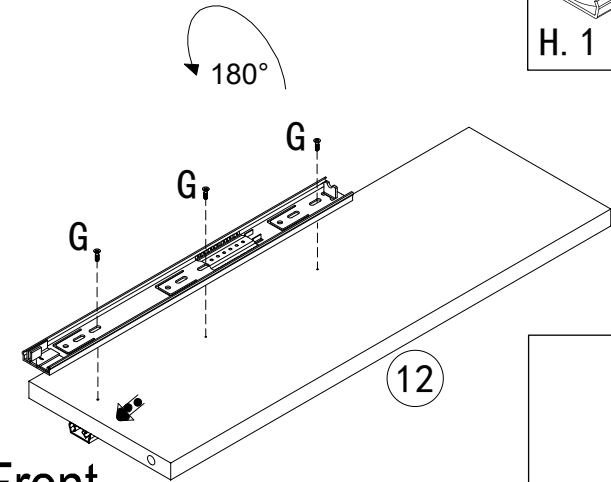


G	X6	H	X2
M3x12mm		10	100

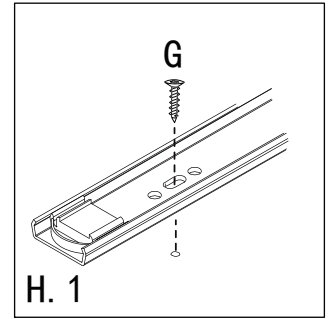
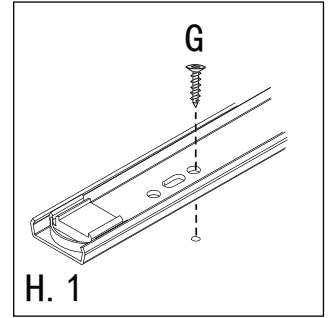
10



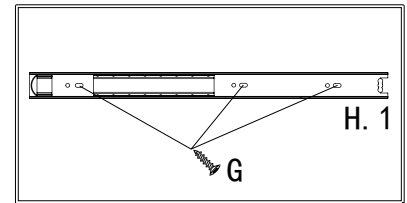
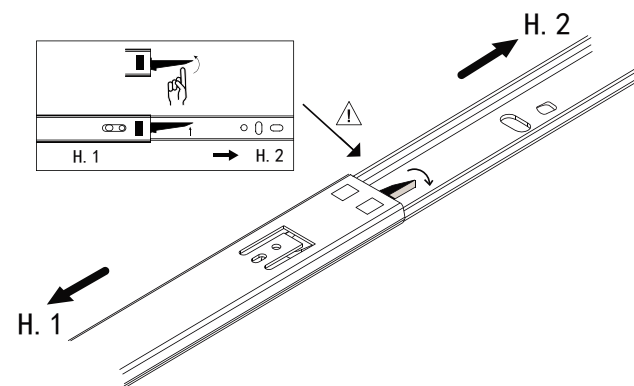
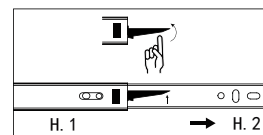
Front



Front

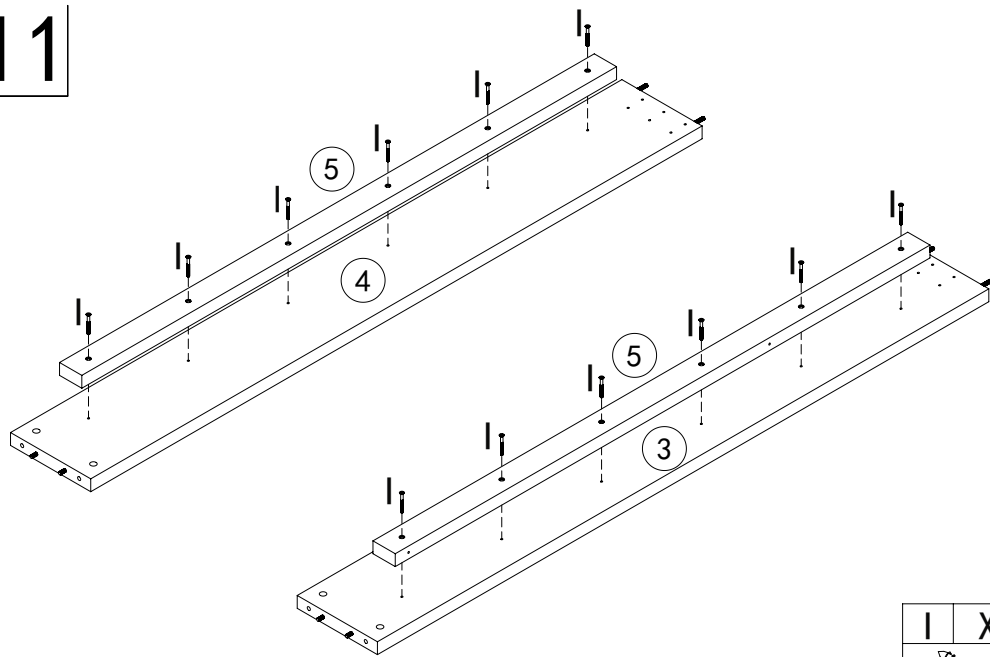


X2



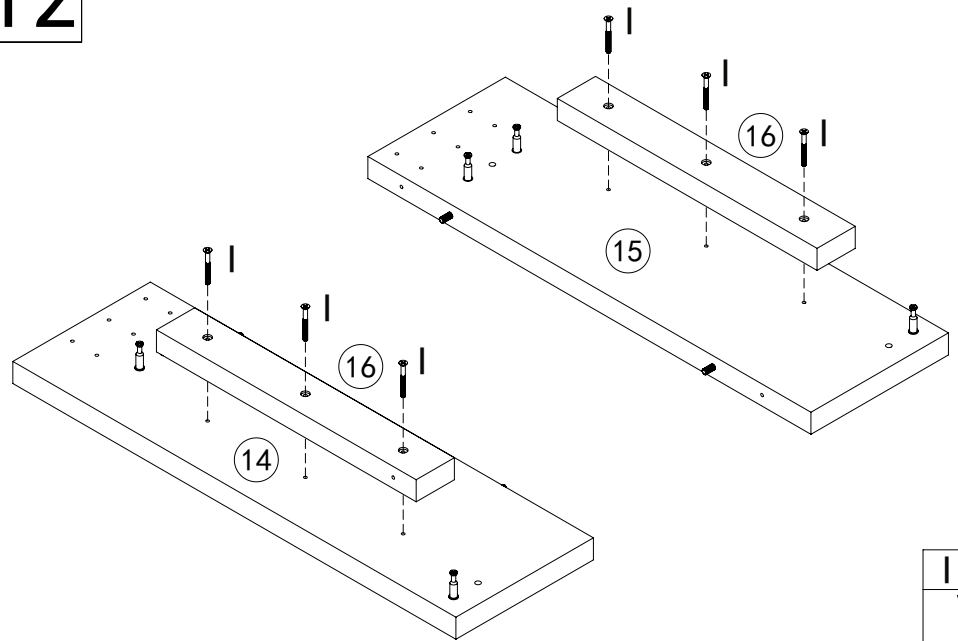
G	X12	H	X4
M3x12mm		10	100

11



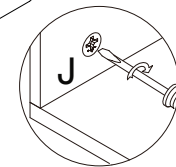
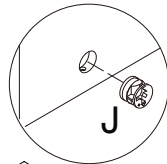
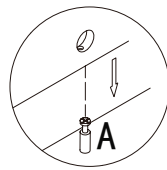
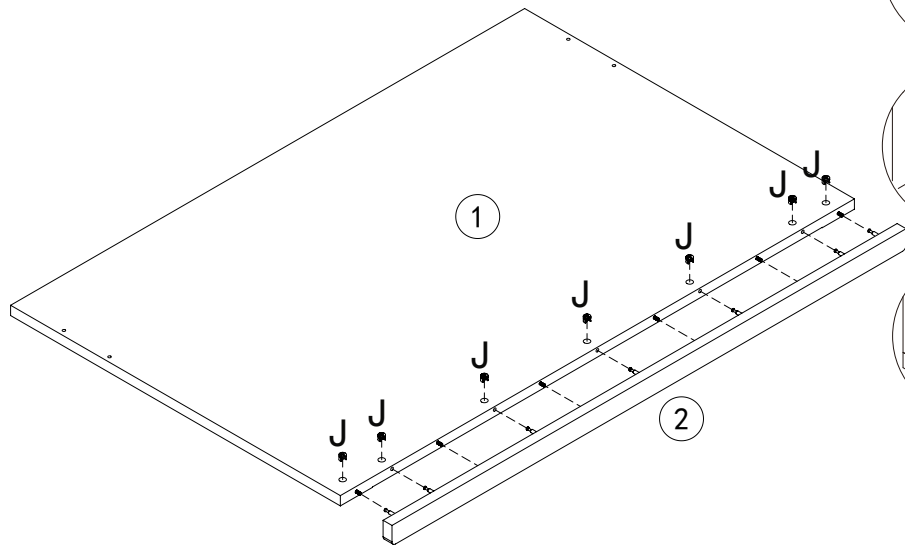
I	X12
M4x40mm	

12



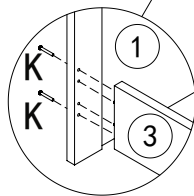
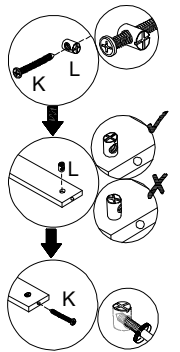
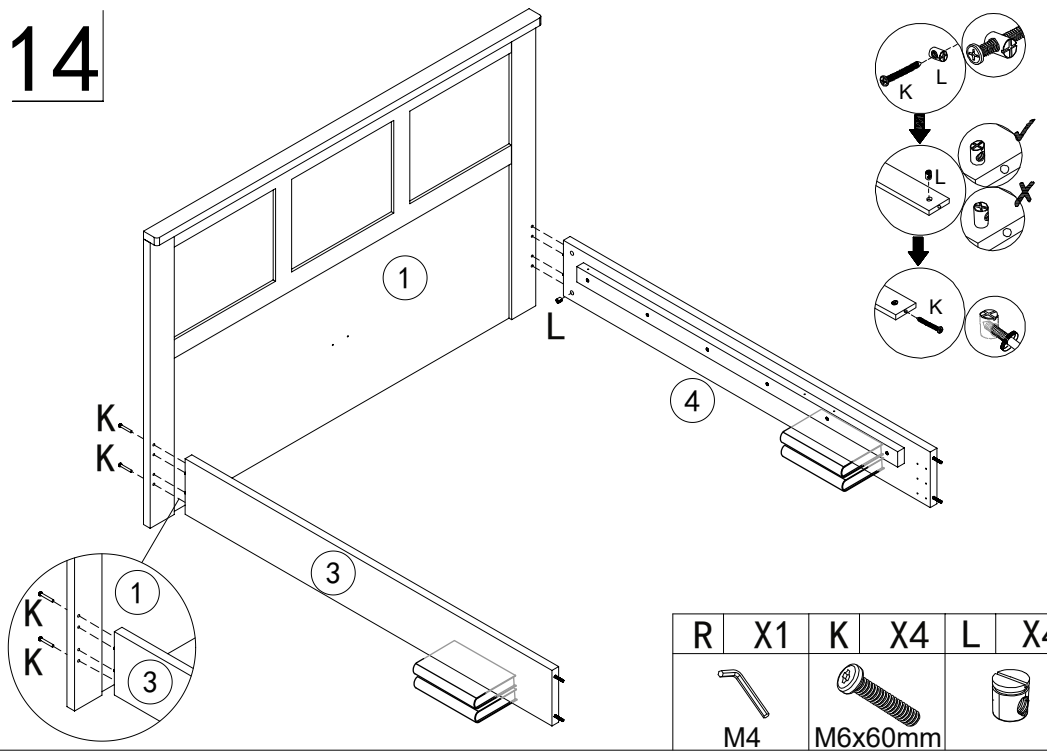
I	X6
M4x40mm	

13



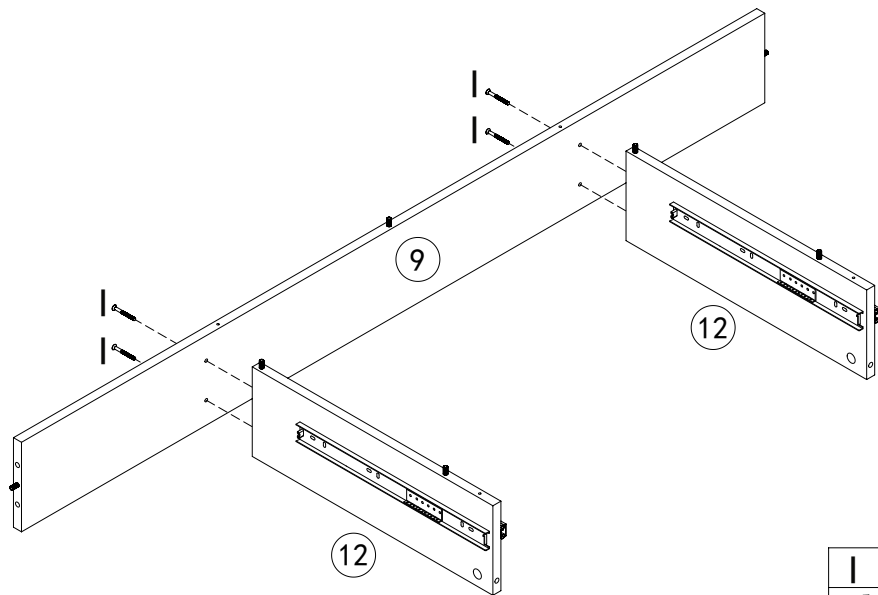
J	X7
15x12mm	


14



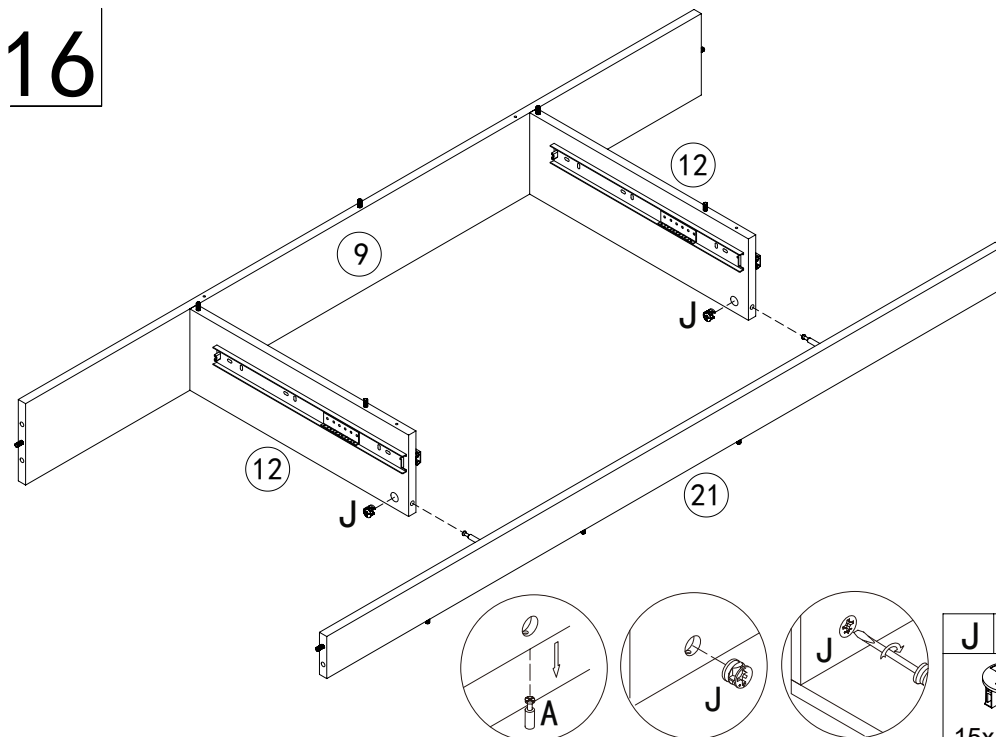
R	X1	K	X4	L	X4
M4		M6x60mm			


15



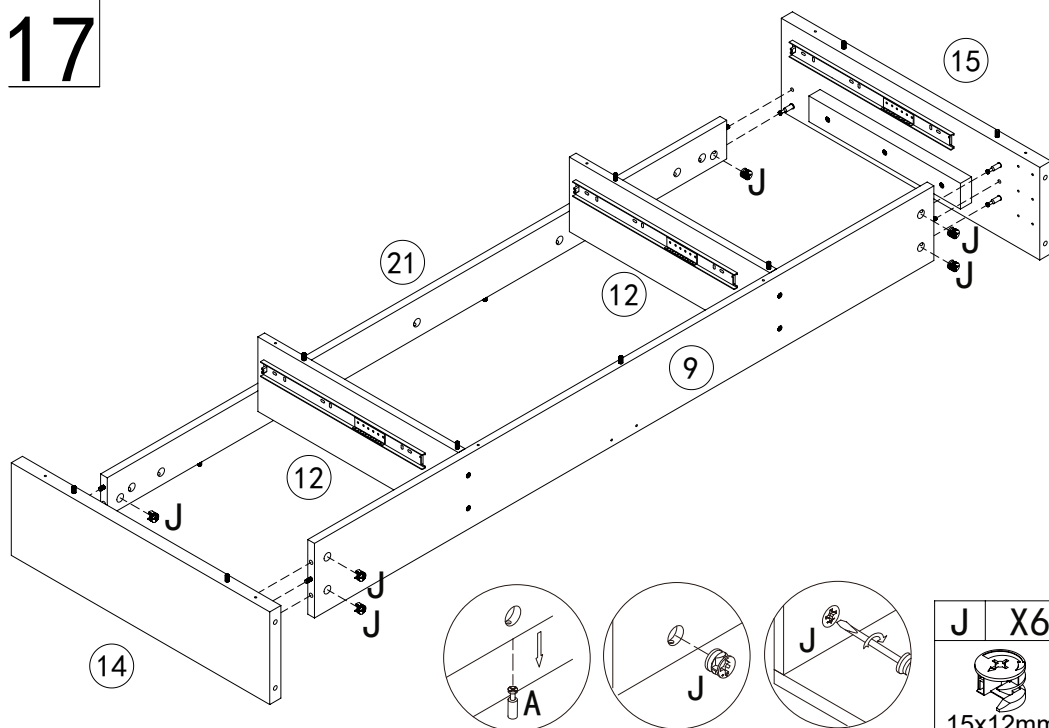
I	X4
	
M4x40mm	


16



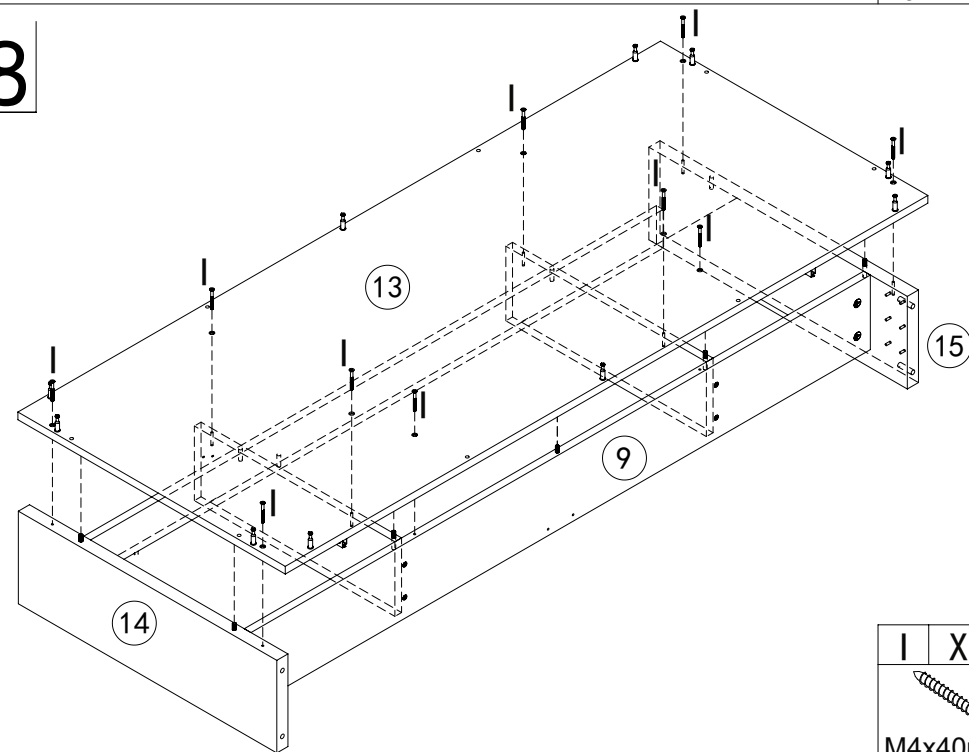
J	X2
	
15x12mm	

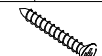
17



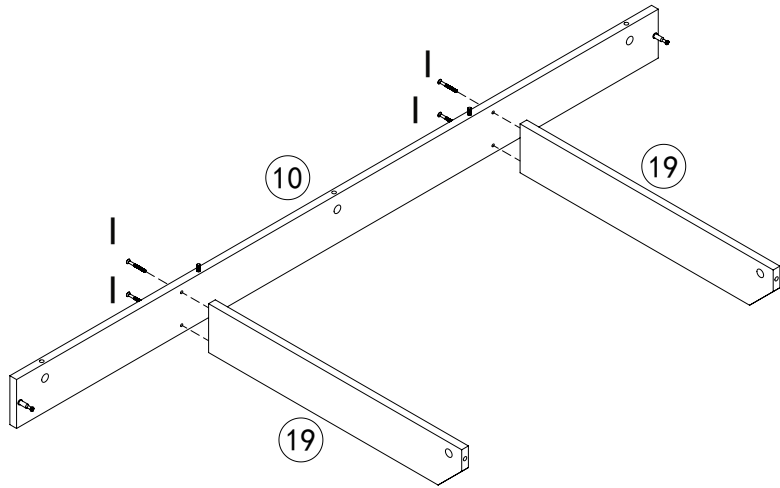
J	X6
	
15x12mm	


18



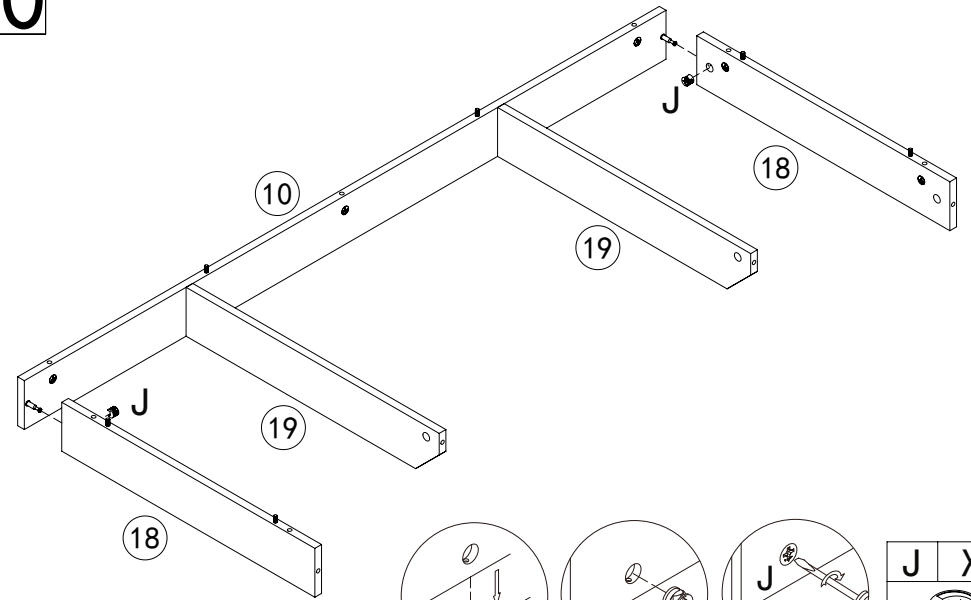
I	X10
	
M4x40mm	


19



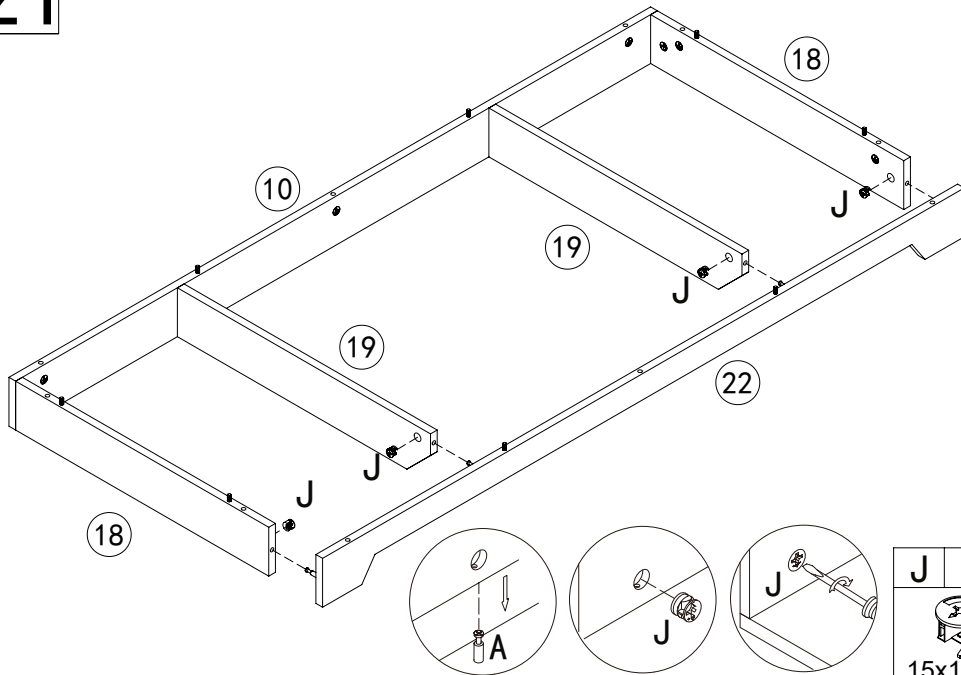
I	X4
	
M4x40mm	

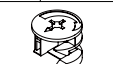
20



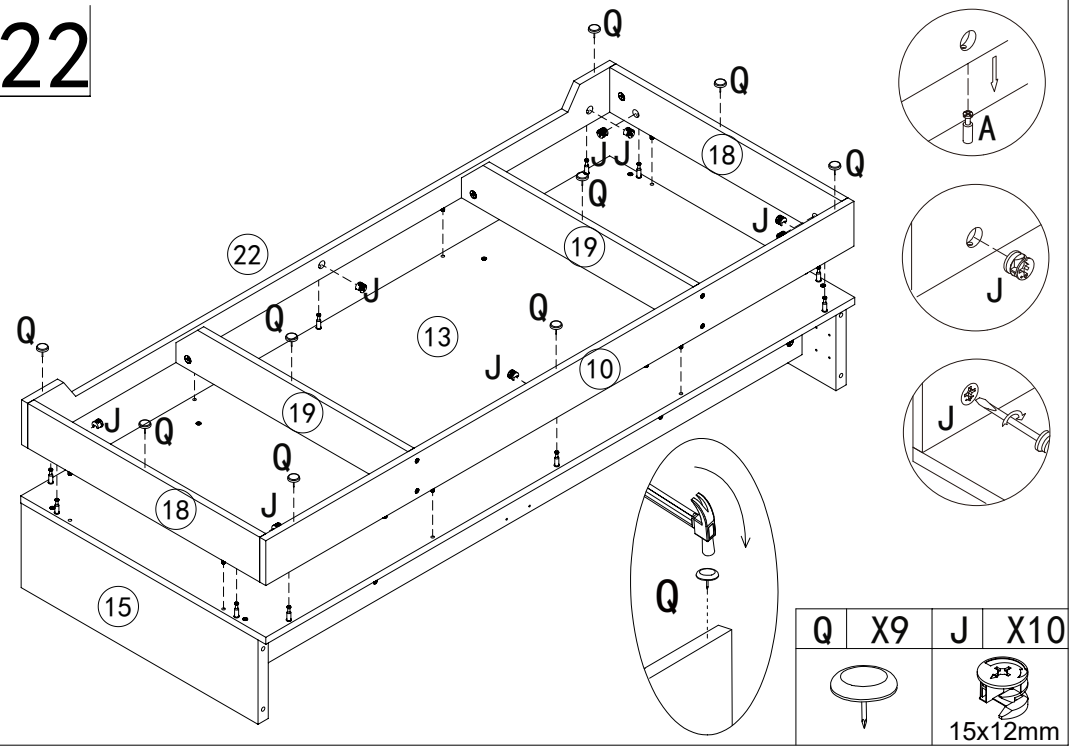
J	X2
	
15x12mm	



21



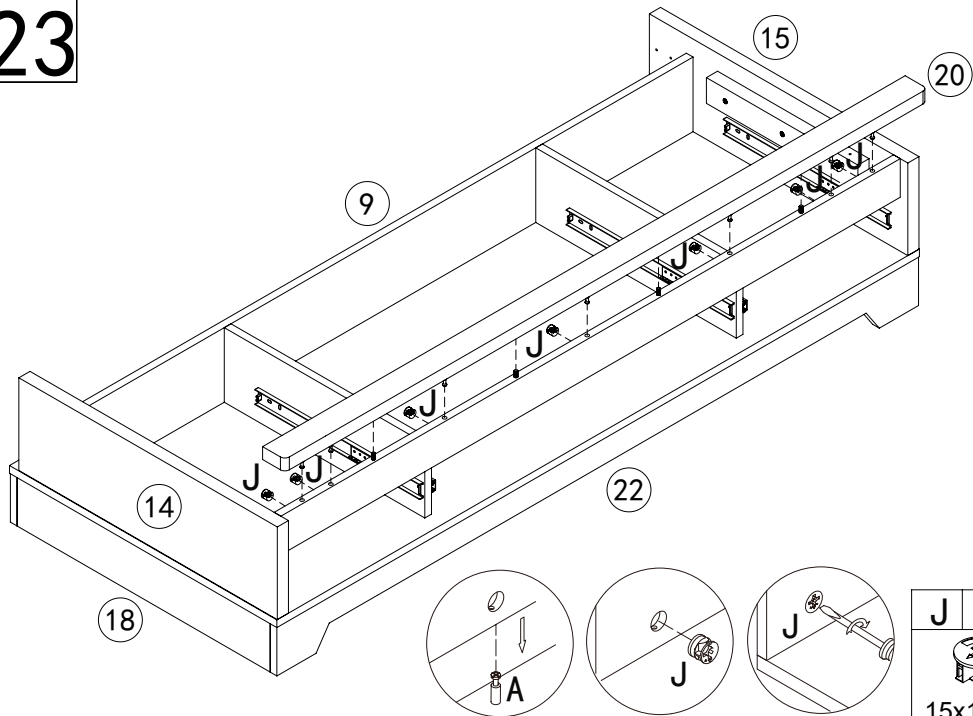
J	X4
	
15x12mm	

22

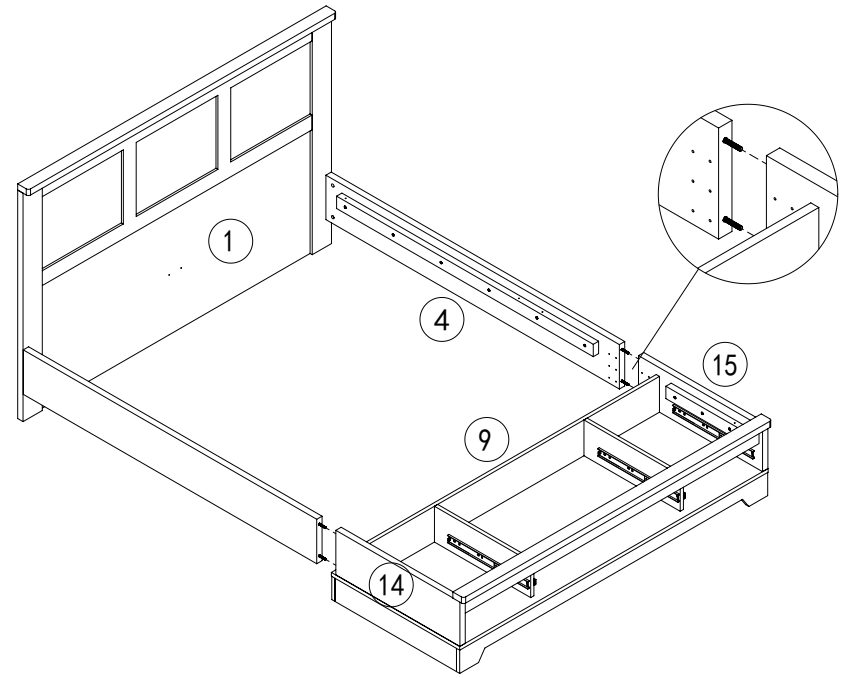


Q	X9	J	X10
			
		15x12mm	

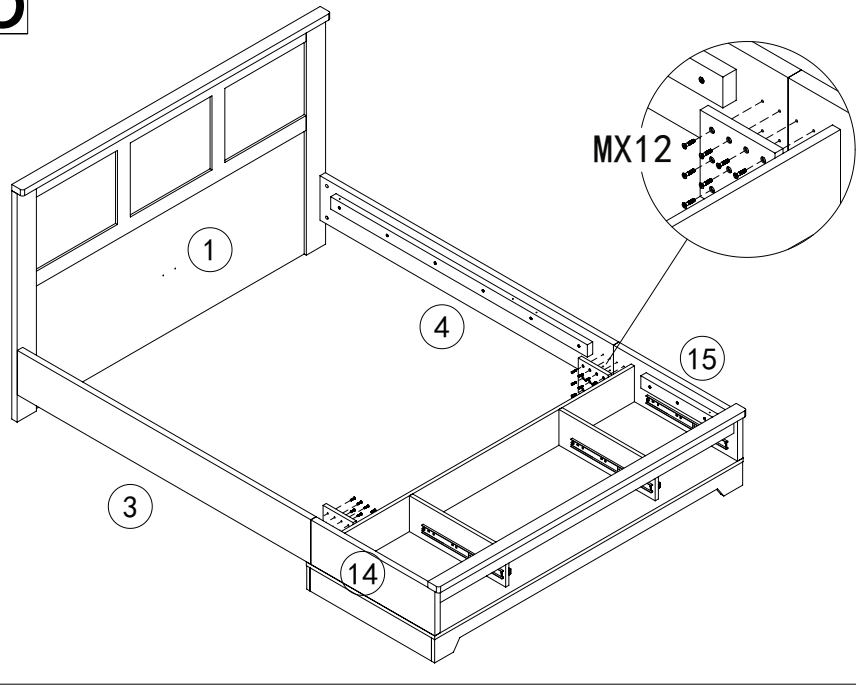
23



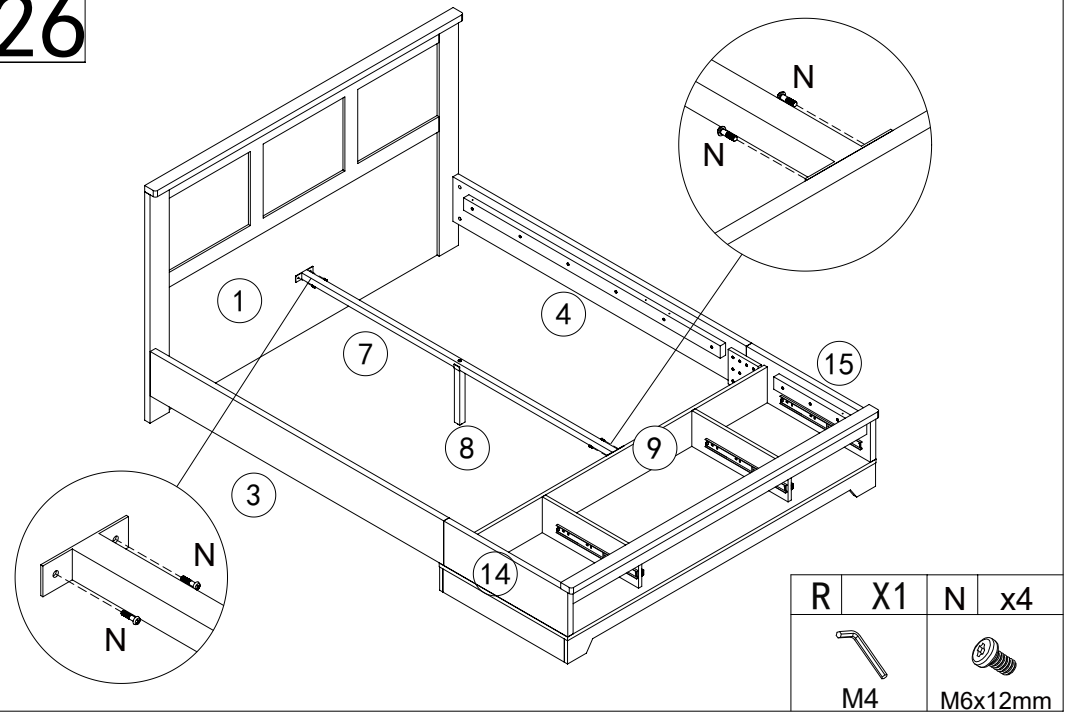
24



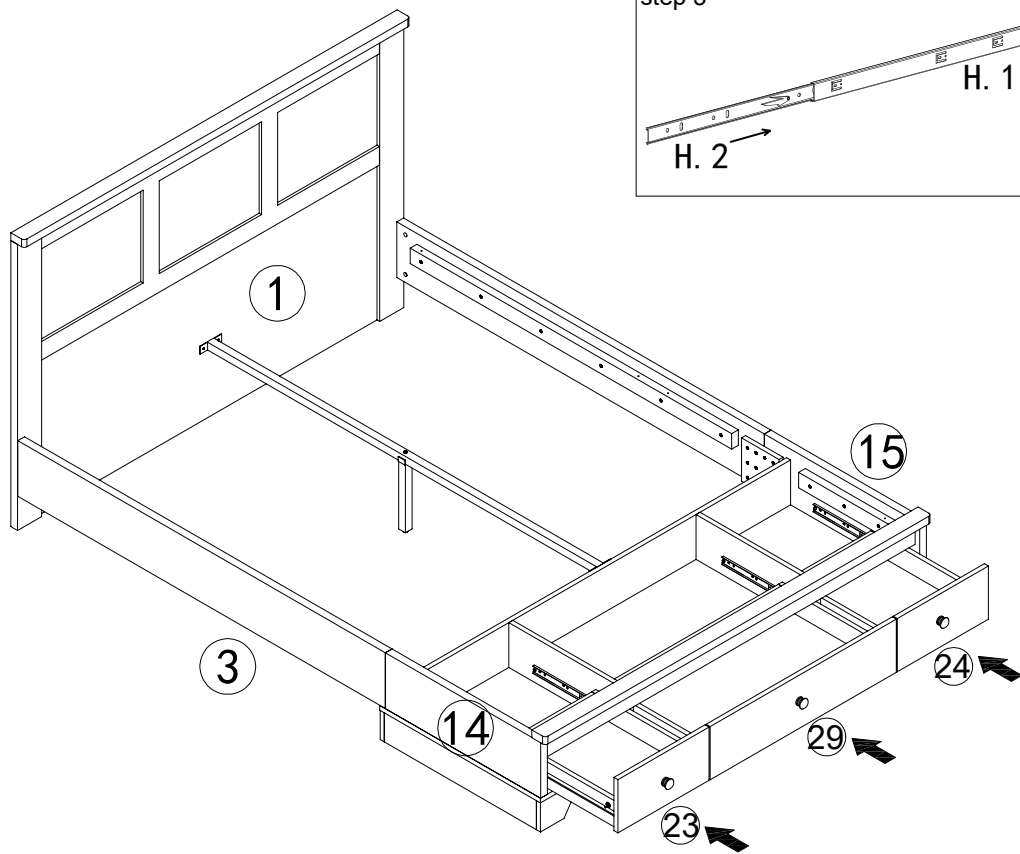
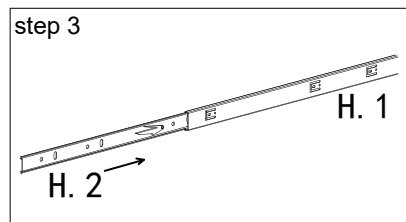
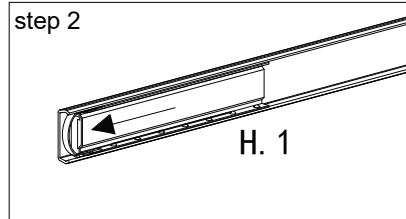
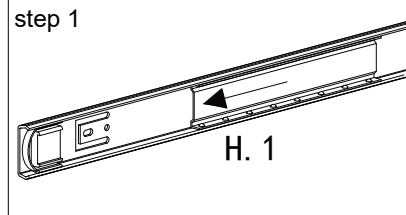
25



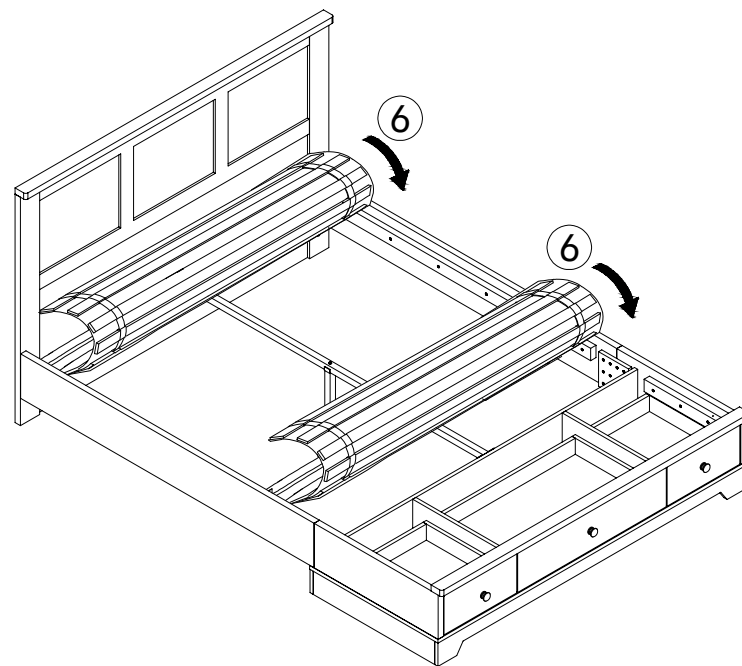
26



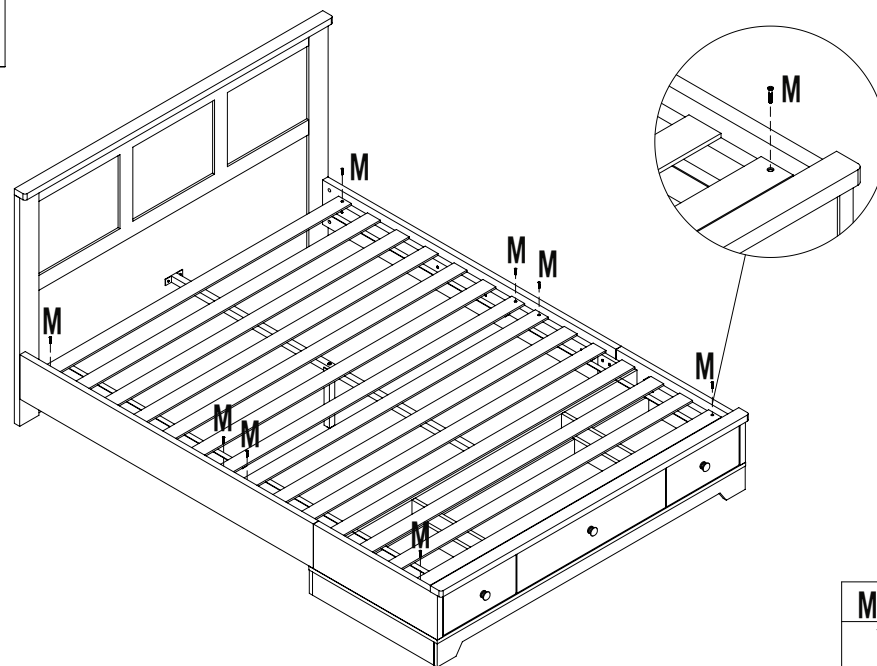
29



30



31



M	X8
M4x30mm	