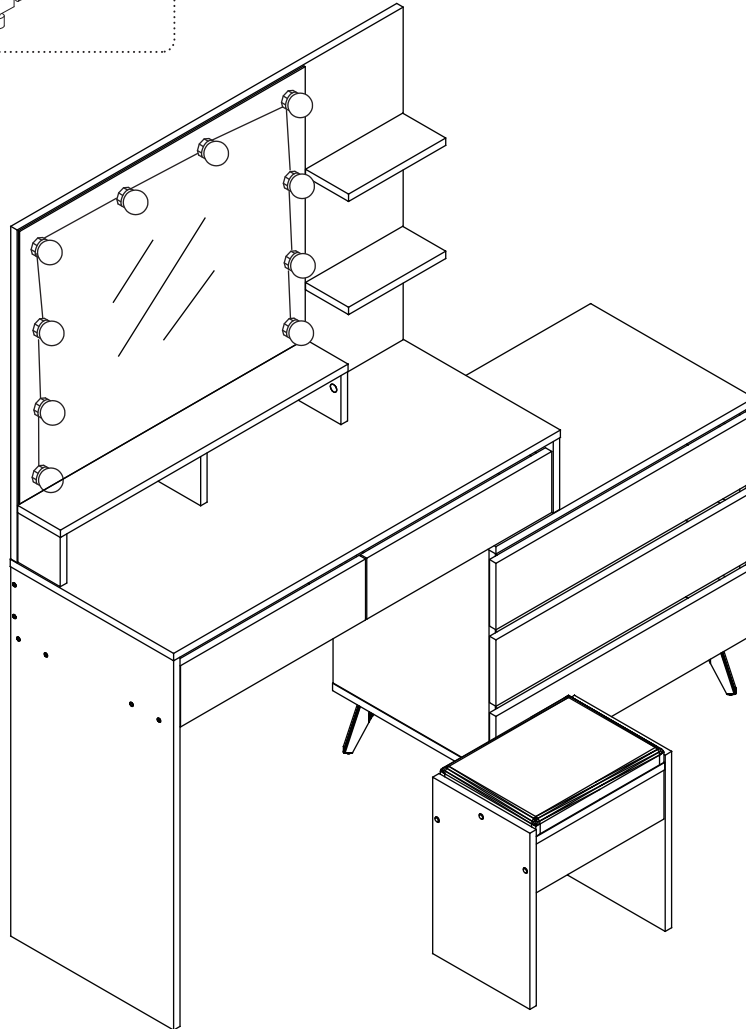
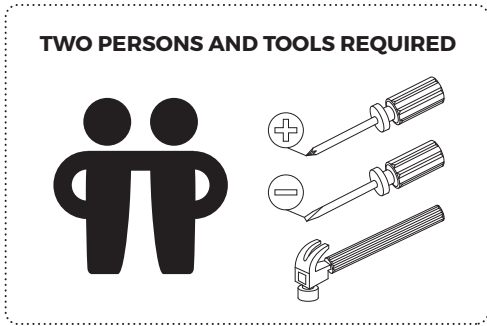


ASSEMBLY INSTRUCTIONS

Please read the instructions carefully before assembly and keep it for future reference.



DRESSING TABLE

Model : DT-ST-B20

Version 1.0

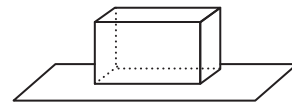
Assembly and Maintenance Tips



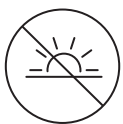
1. Keep children and pets away from the working area as small parts may cause choking if swallowed.



2. Some furniture may require two persons to assemble for safety reasons.



3. To protect the surfaces of the furniture, lay the parts and perform the assembly on top of a soft mat (such as a carpet or cardboard).



4. Keep the furniture away from direct sunlight to avoid fading.



5. Use a soft, damp cloth to clean or wipe surfaces.

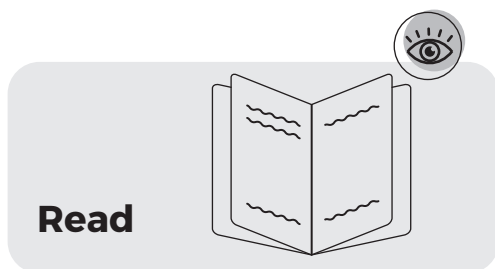


6. Never use ammonia-based or abrasive cleaning products to clean as they may damage the finish.



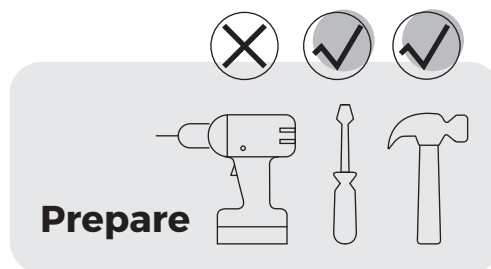
7. Do not place liquids or wet items on furniture as they may leave water marks/stains. Always use a coaster or runner to protect the furniture surface.

Assembly Checklist



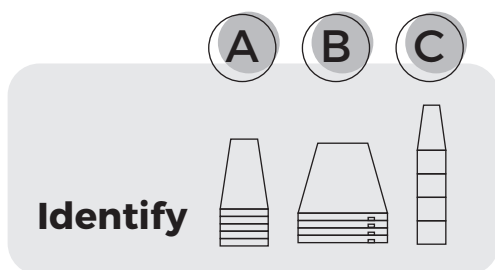
Read

Read through the instructions carefully before you begin.



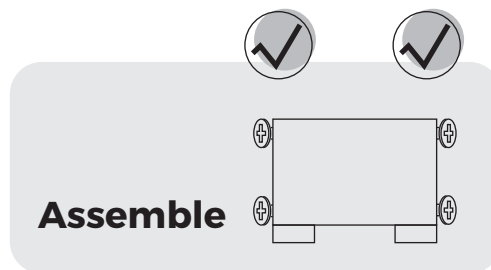
Prepare

Make sure you have all the required tools. Never use power tools unless instructed.



Identify

Identify and lay out all of the components before you begin assembly.



Assemble



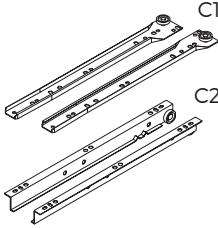


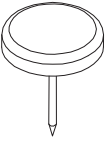
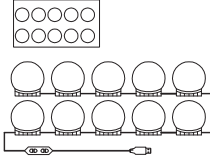


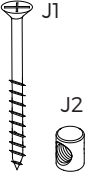


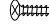
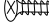
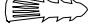
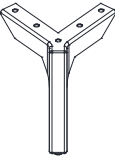

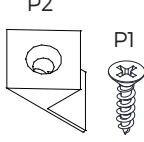
Please fully tighten all screws during the assembly process unless instructed not to do so.

Helpful Information

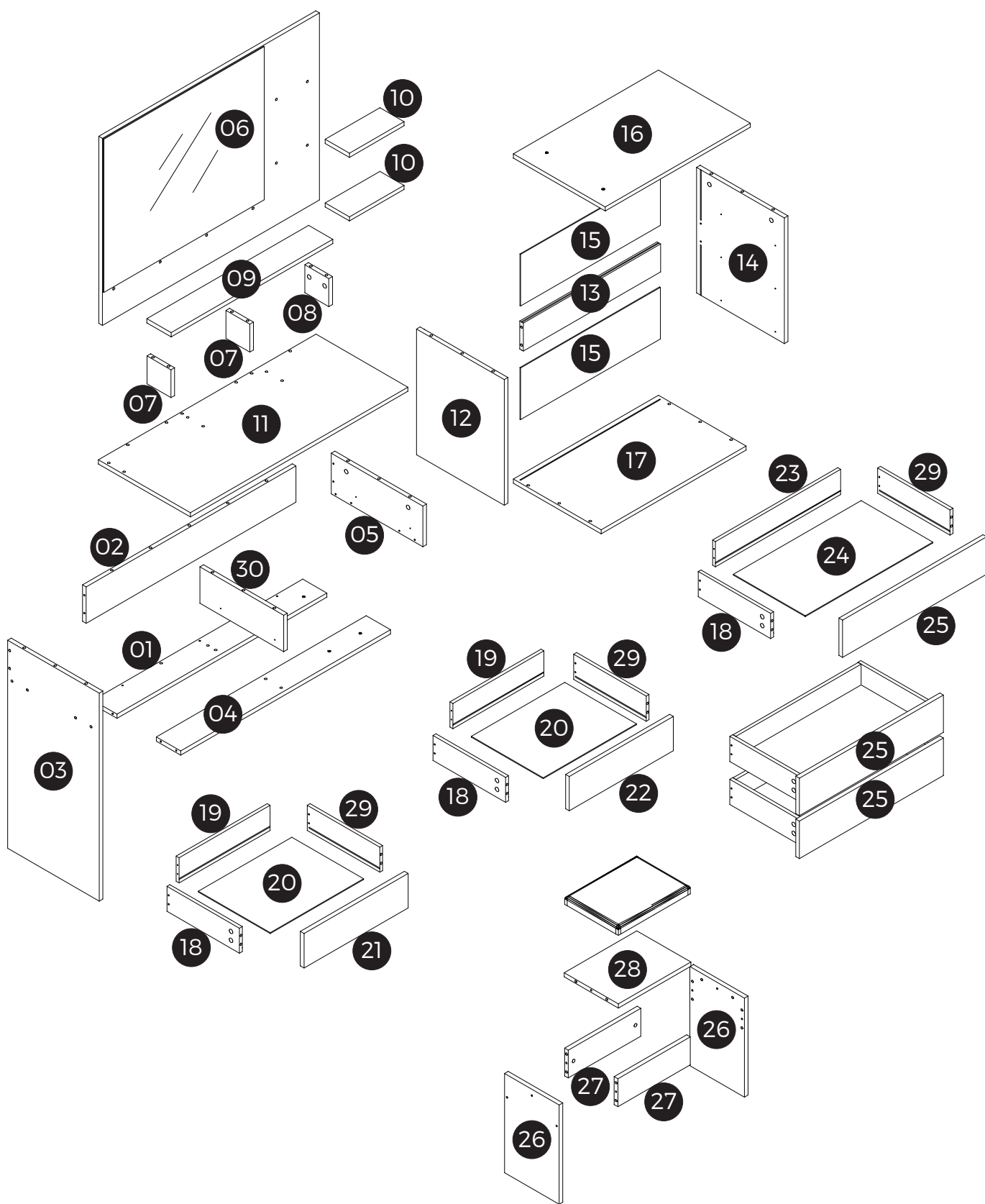
- ! Never use power tools unless specifically instructed. They can damage your components or hardware if used incorrectly.
- ! The most common mistakes made during assembly are using the wrong hardware or getting components back to front.
- ! When assembling the product, it is recommended to do so on top of a soft surface such as a carpet or cardboard to avoid scratches and damages to the furniture surfaces.
- ! Bulky items such as wardrobes should be assembled in the location when the assembled piece will be used to avoid moving them through doors or tight passages.
- ! Never use any glue until you are certain that the parts belong together.
- ! Periodically check that all connections are secured and follow all care and maintenance instructions stated.
- ! If you encounter any assembly difficulties or missing components and/or hardware, please contact our Customer Support for further assistance.

Hardware List

Please ensure that all parts and hardware are in the packaging contents. If there are any missing parts and/or hardware, please contact our Customer Support as soon as possible.

<p>Part A 52pcs</p> 	<p>Part B 23pcs 8x40mm</p> 	<p>Part C 5 sets</p> 	<p>Part D 60pcs M3.5x14mm</p> 
<p>Part E 20pcs M3.5x35mm</p> 	<p>Part F 6pcs</p> 	<p>Part G 1 set</p> 	<p>Part H 2pcs M6x25mm</p> 
<p>Part I 34pcs M7x50mm</p> 	<p>Part J 6 sets</p> 	<p>Part K 20pcs 9x15mm</p> 	<p>Part L 2 sets</p> <ul style="list-style-type: none"> L1  L2  14x3.5mm L3  L4  35x3.5mm L5 
<p>Part M 4pcs</p> 	<p>Part N 12pcs</p> <p>Hole sticker</p> 	<p>Part O 32pcs 11x15mm</p> 	<p>Part P 8 sets</p> 

Parts List



STEP 1

Part A

4pcs



Part D

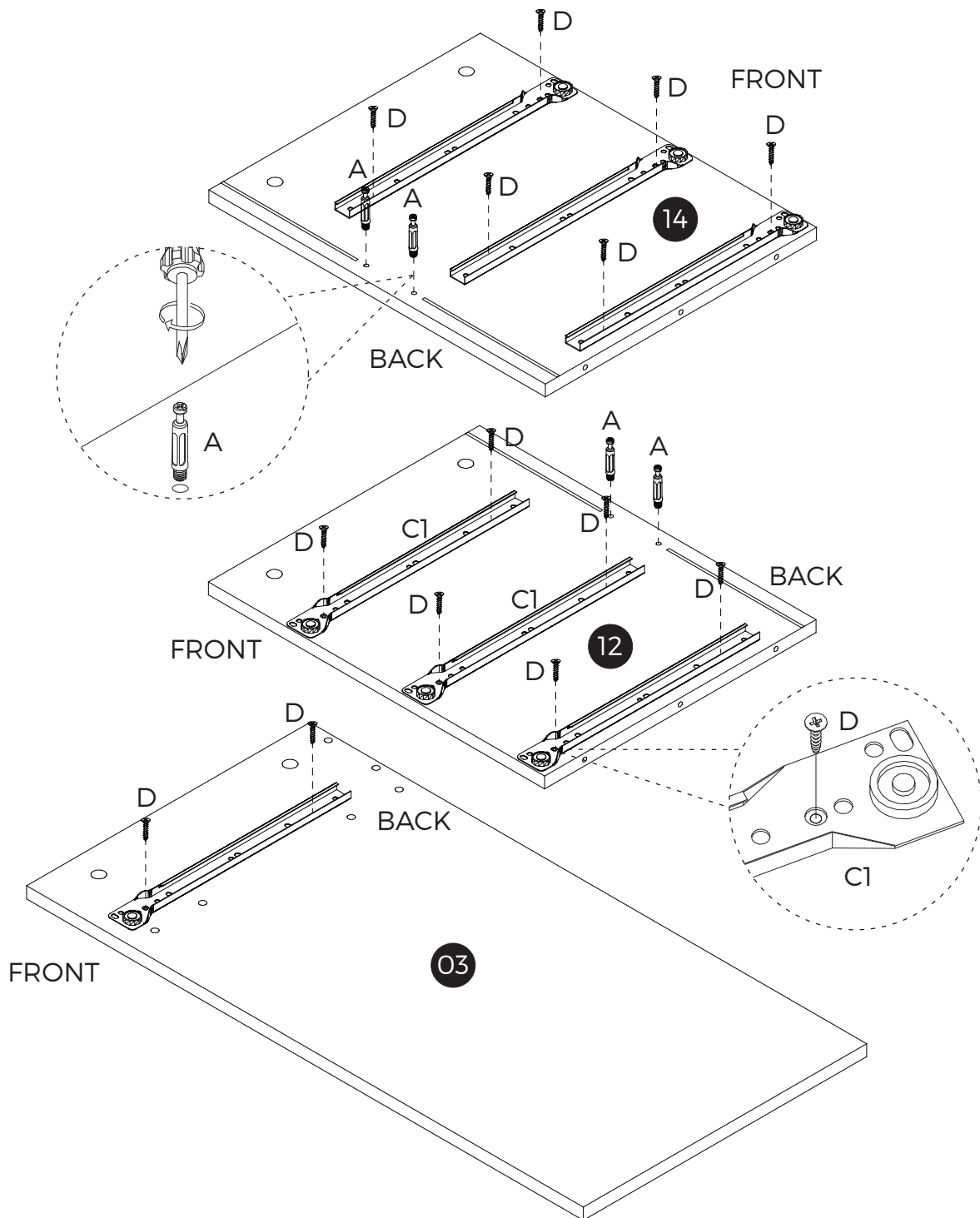
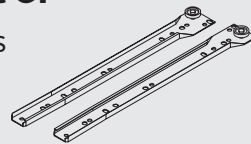
14pcs

M3.5x14mm



Part C1

7pcs



STEP 2

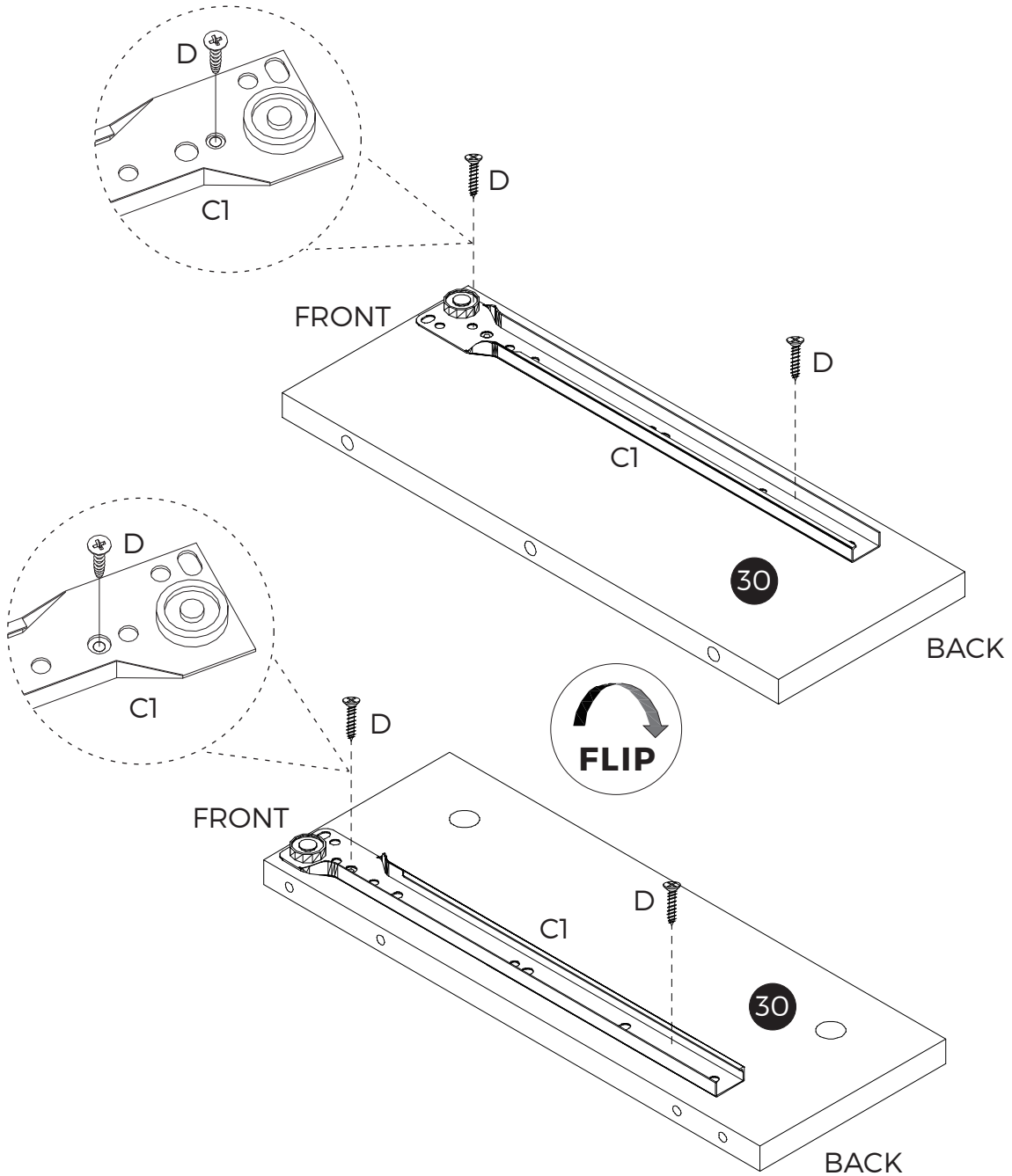
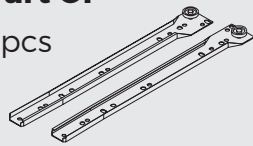
Part D

4pcs
M3.5x14mm



Part C1

2pcs



STEP 3

Part A

48pcs



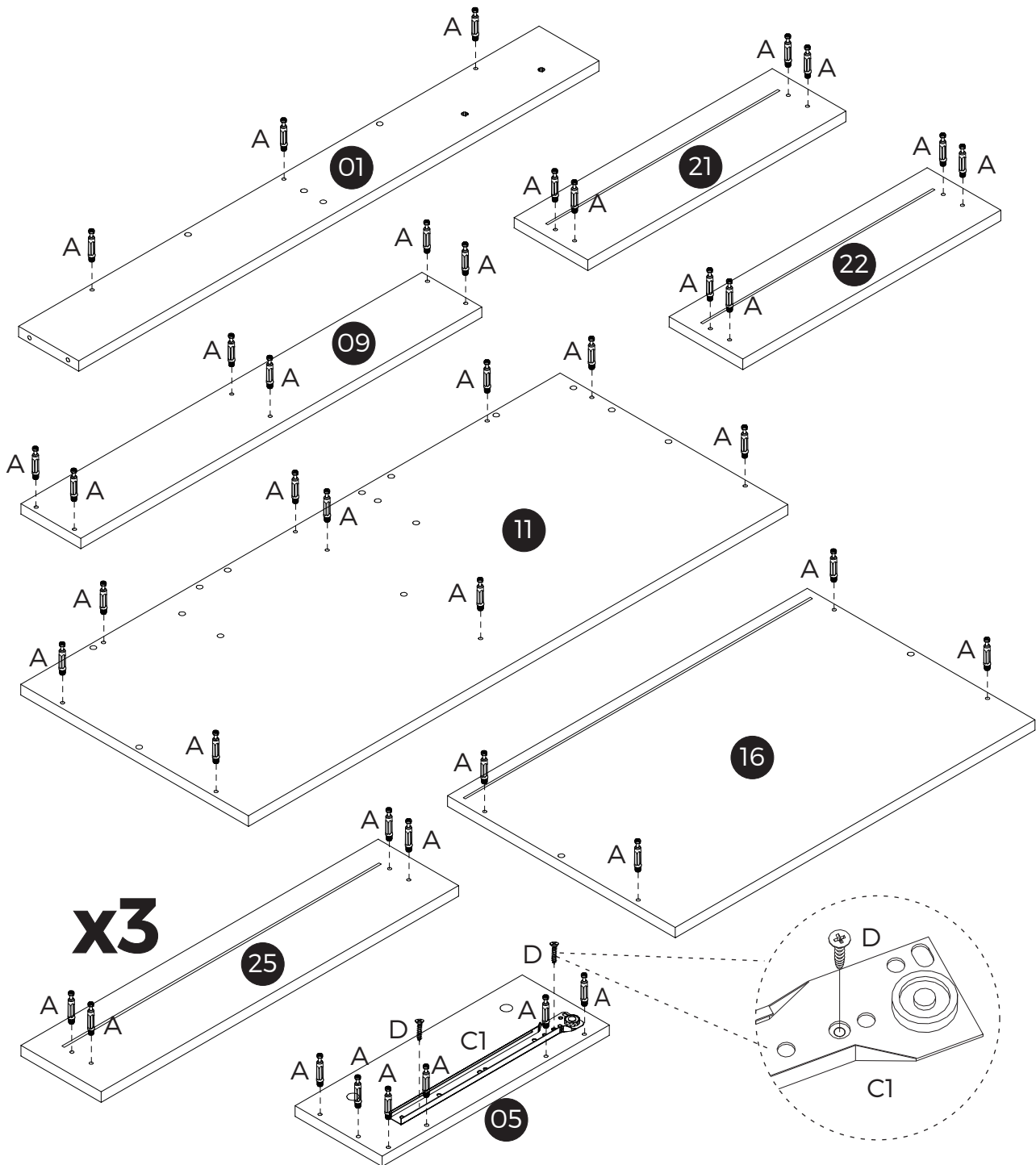
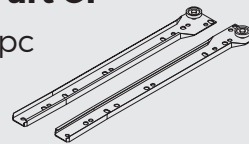
Part D

2pcs
M3.5x14mm



Part C1

1pc



STEP 4

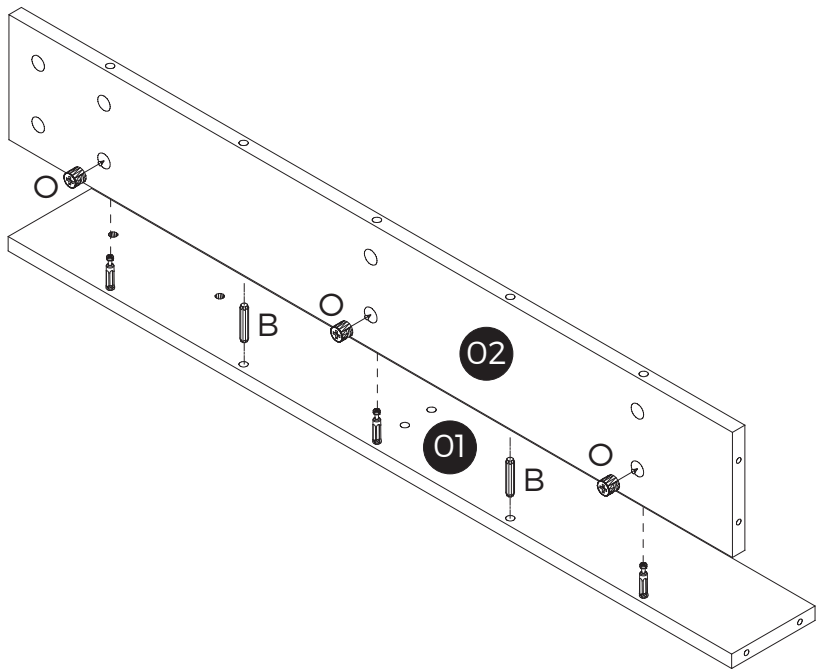
Part B

2 pcs
8x40mm



Part O

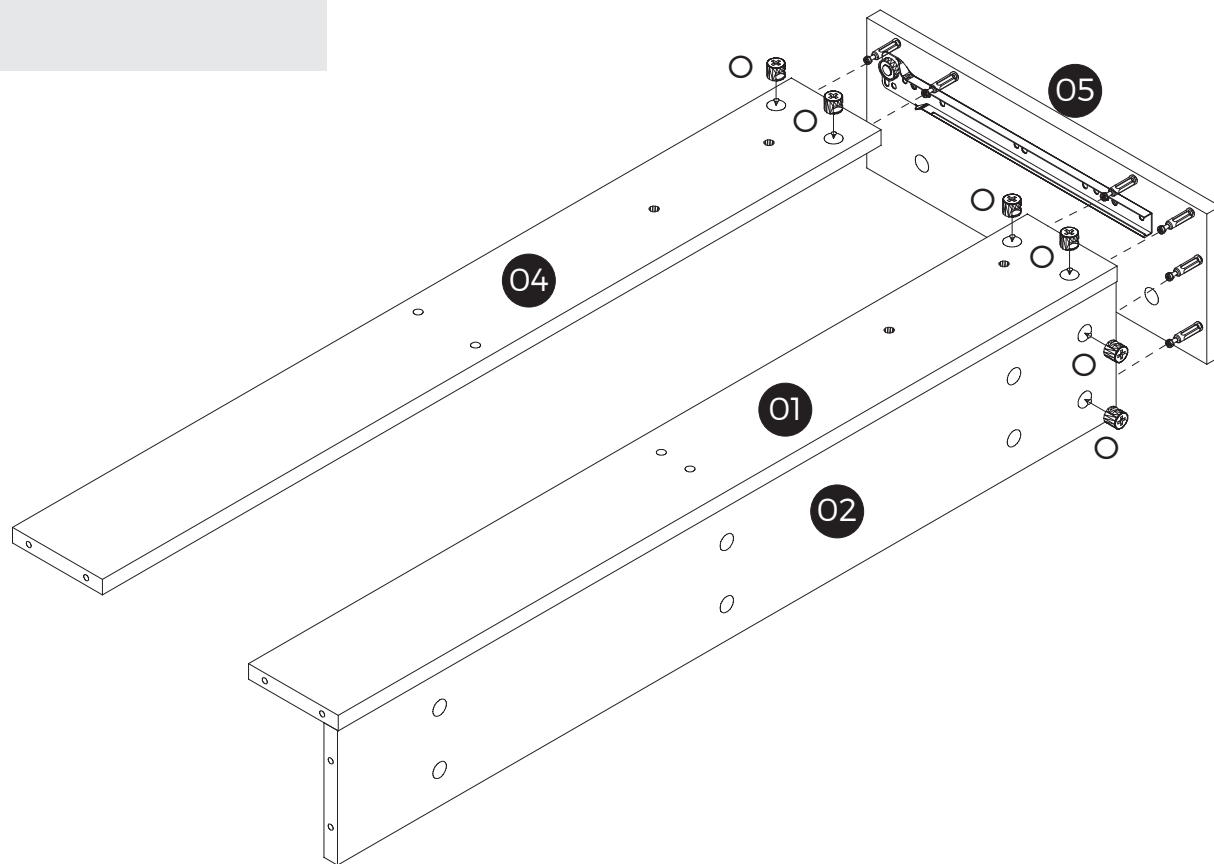
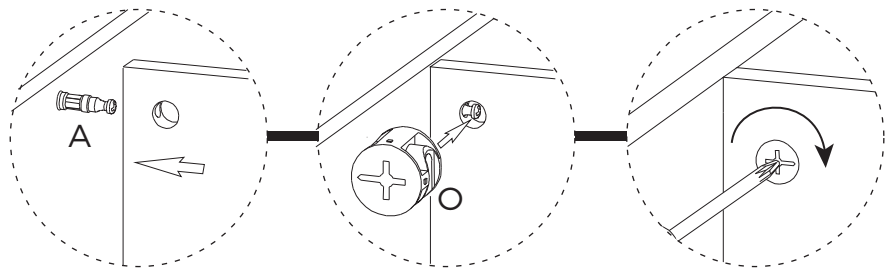
3 pcs
11x15mm



STEP 5

Part O

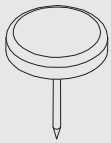
6 pcs
11x15mm



STEP 6

Part F

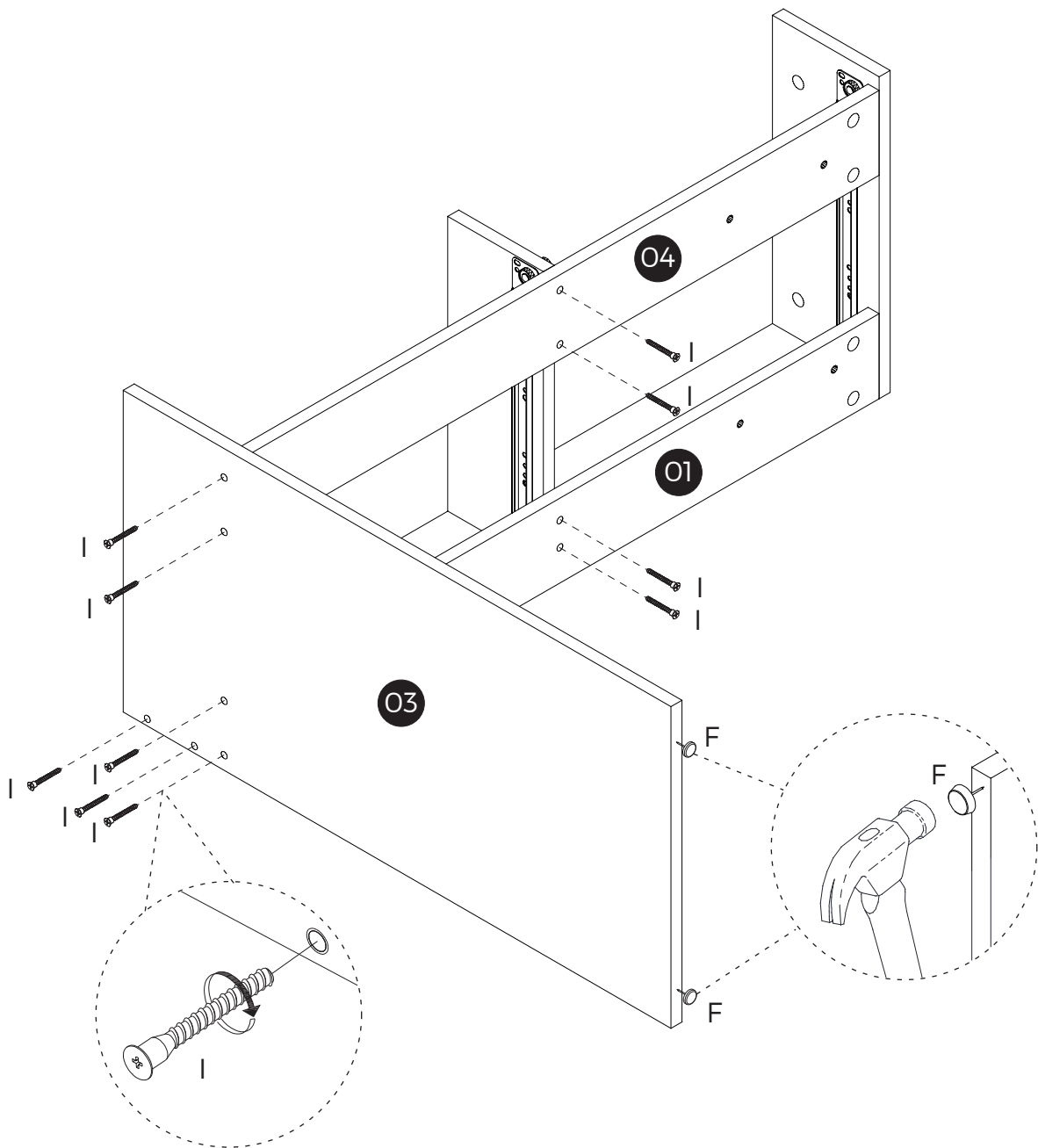
2pcs



Part I

10pcs

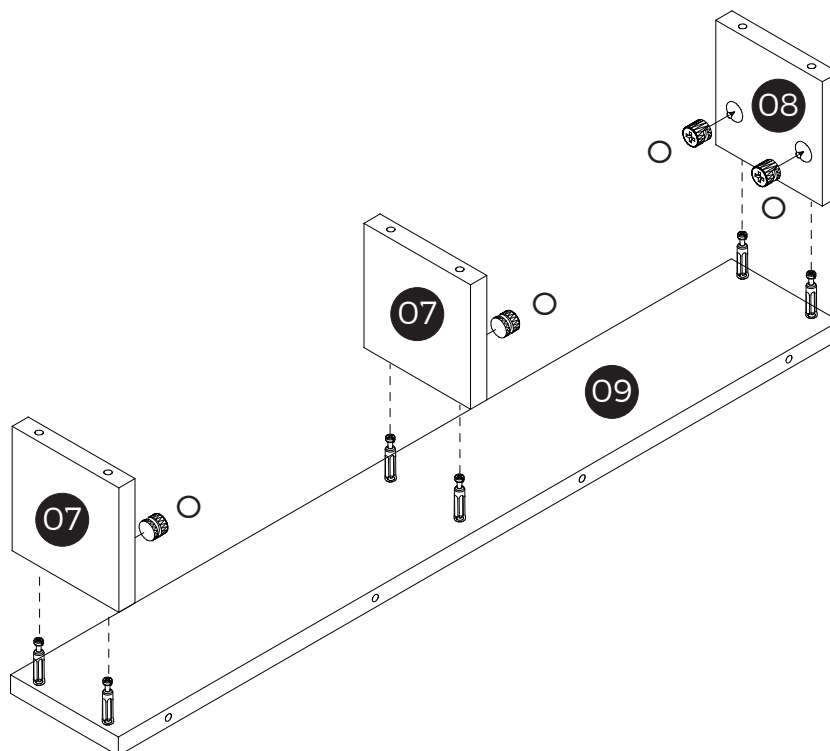
M7x50mm



STEP 7

Part O

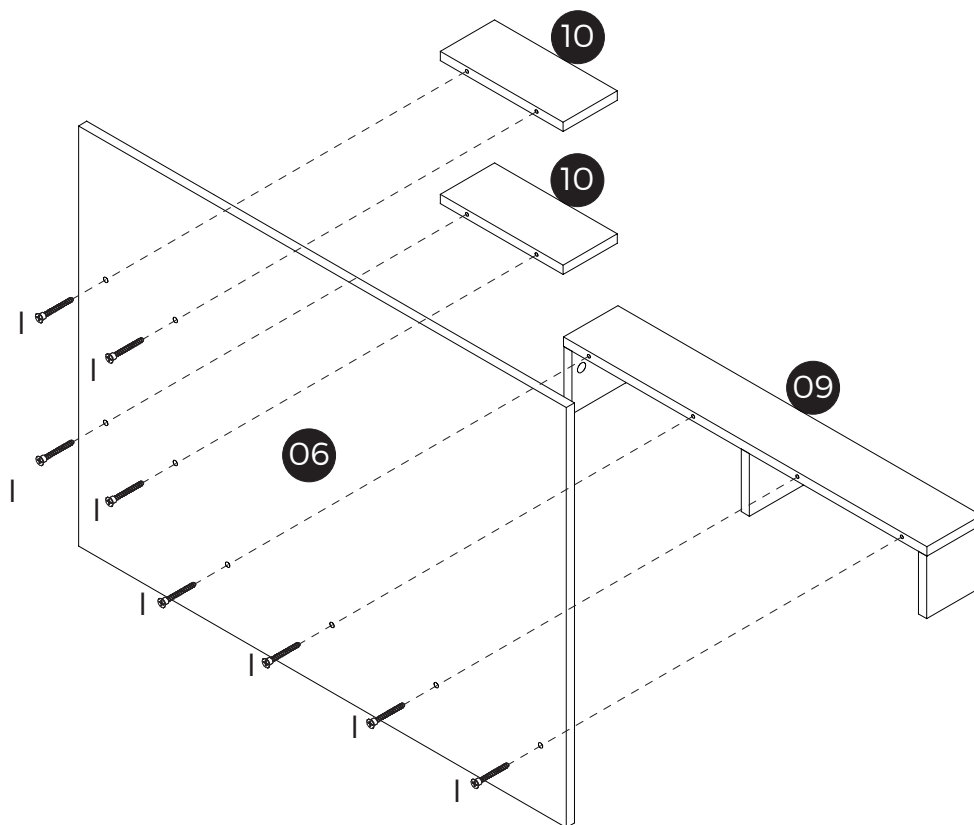
6pcs
11x15mm



STEP 8

Part I

8pcs
M7x50mm

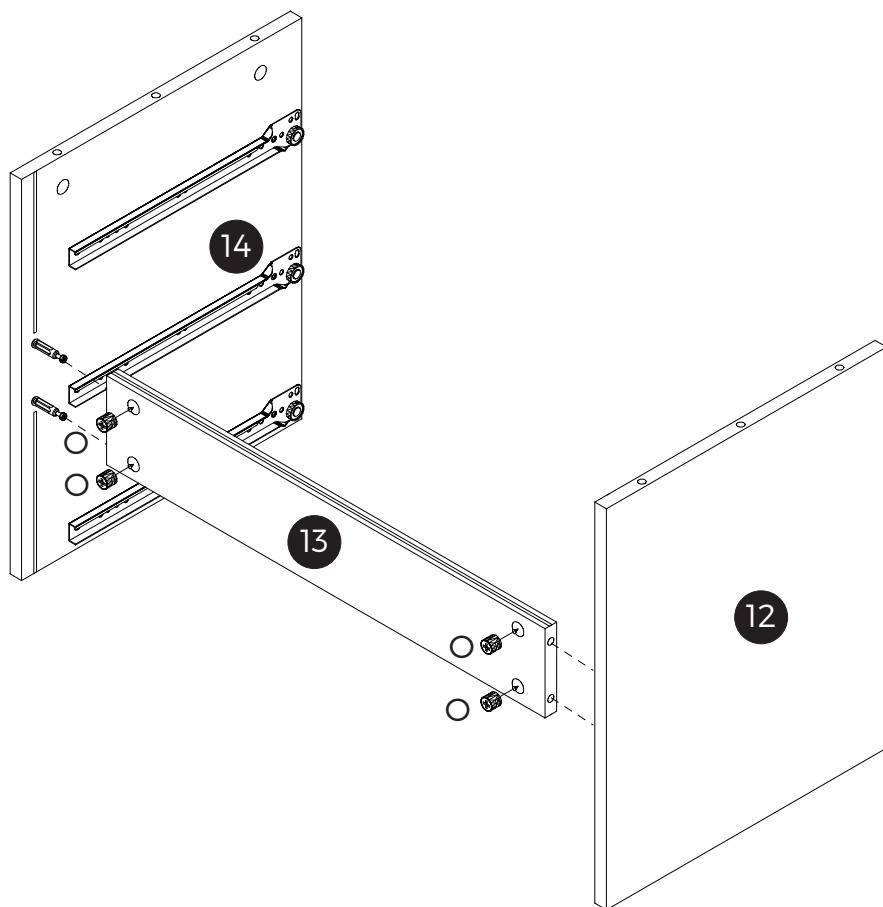


STEP 9

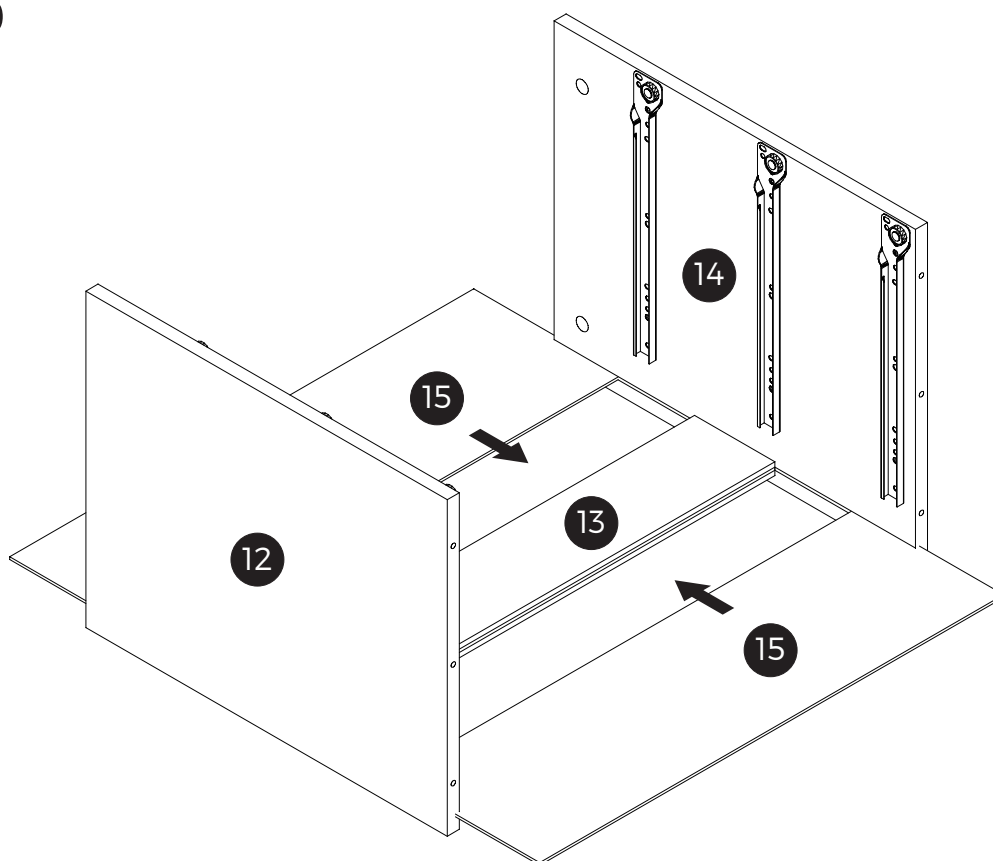
Part O

4pcs

11x15mm



STEP 10



STEP 11

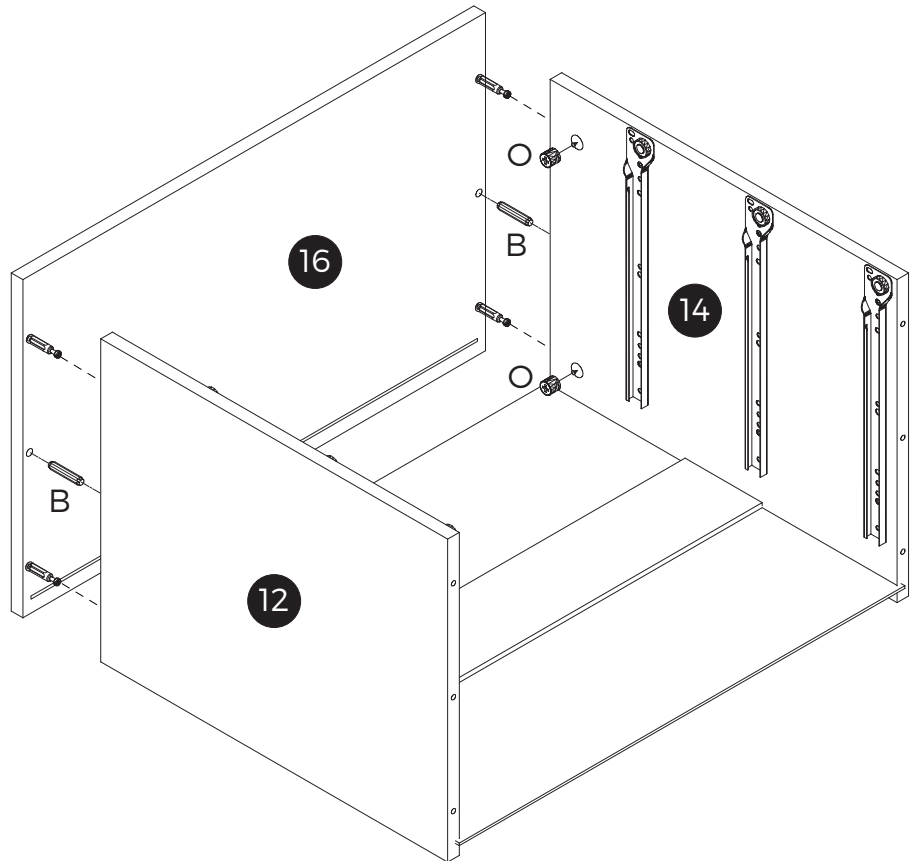
Part B

2 pcs
8x40mm



Part O

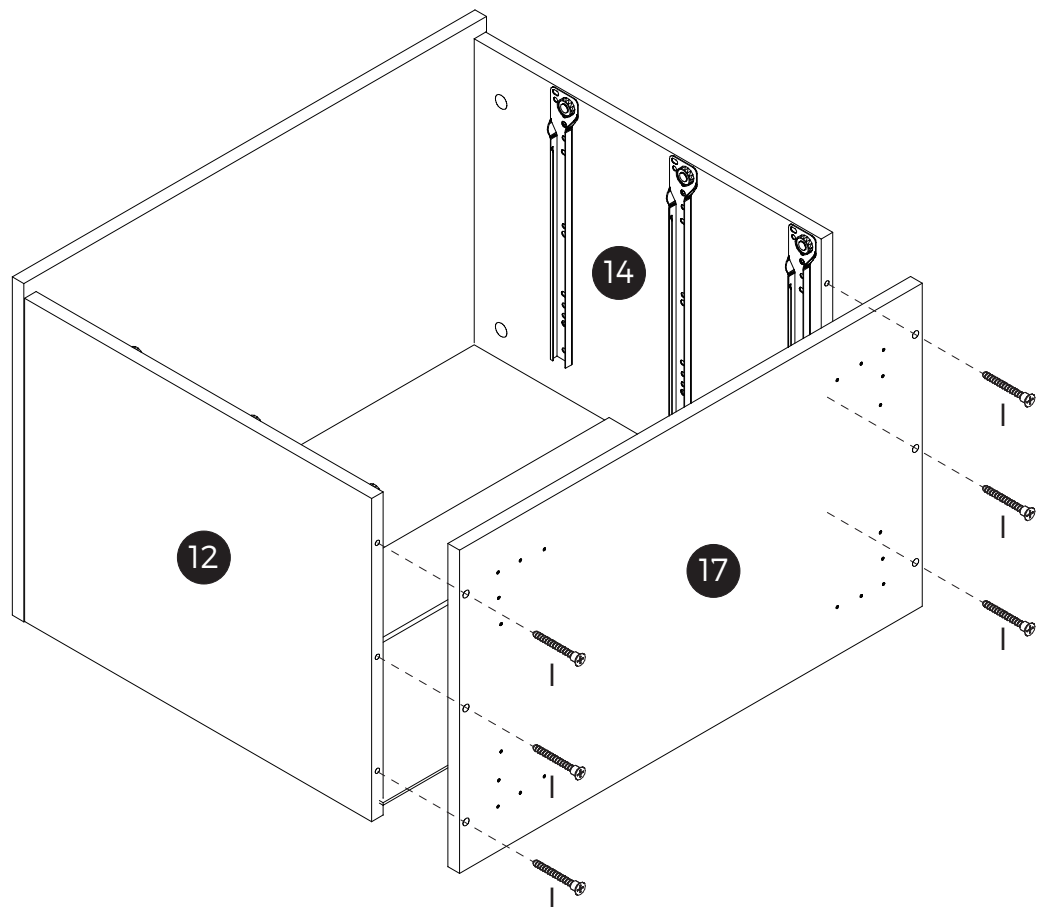
4 pcs
11x15mm



STEP 12

Part I

6 pcs
M7x50mm



STEP 13

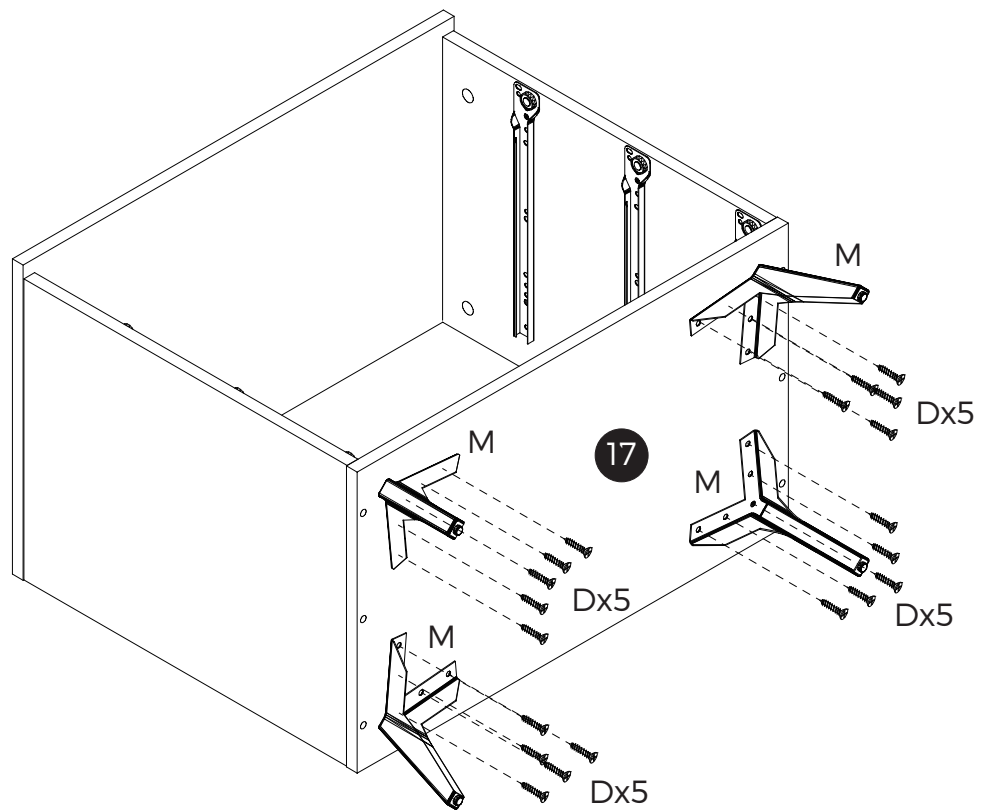
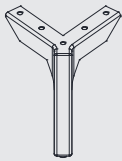
Part D

20pcs
M3.5x14mm



Part M

4pcs



STEP 14

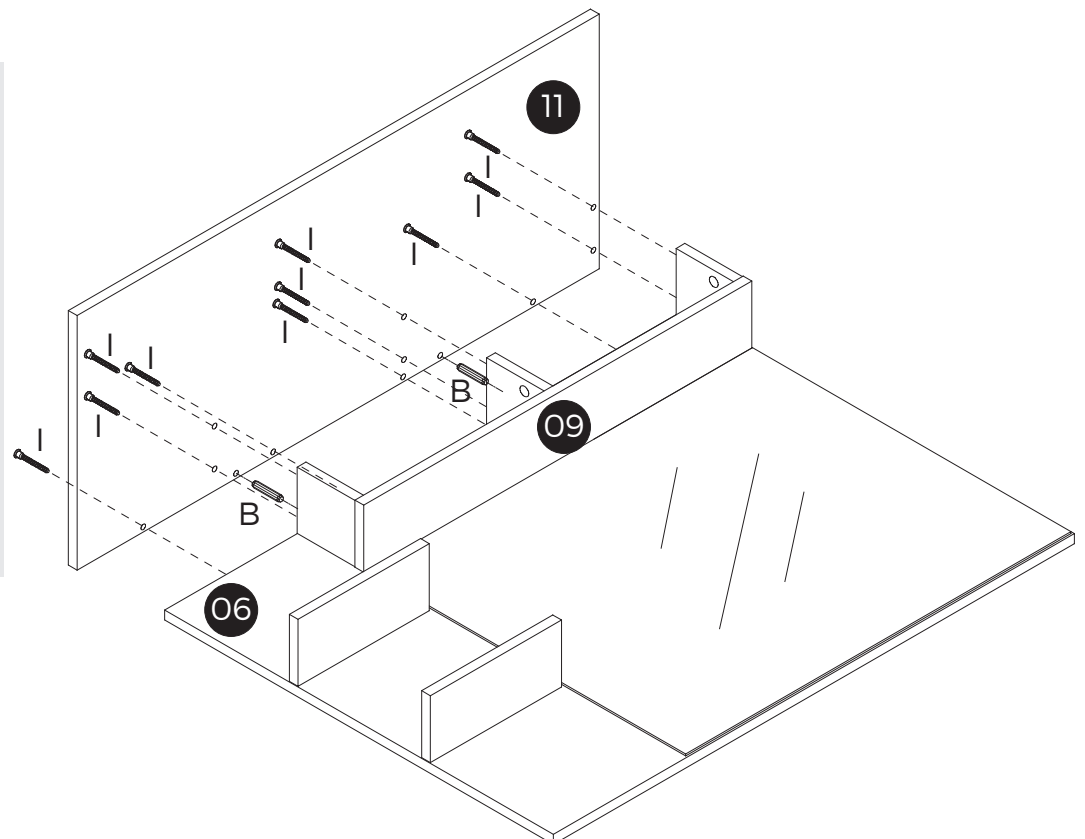
Part I

10pcs
M7x50mm



Part B

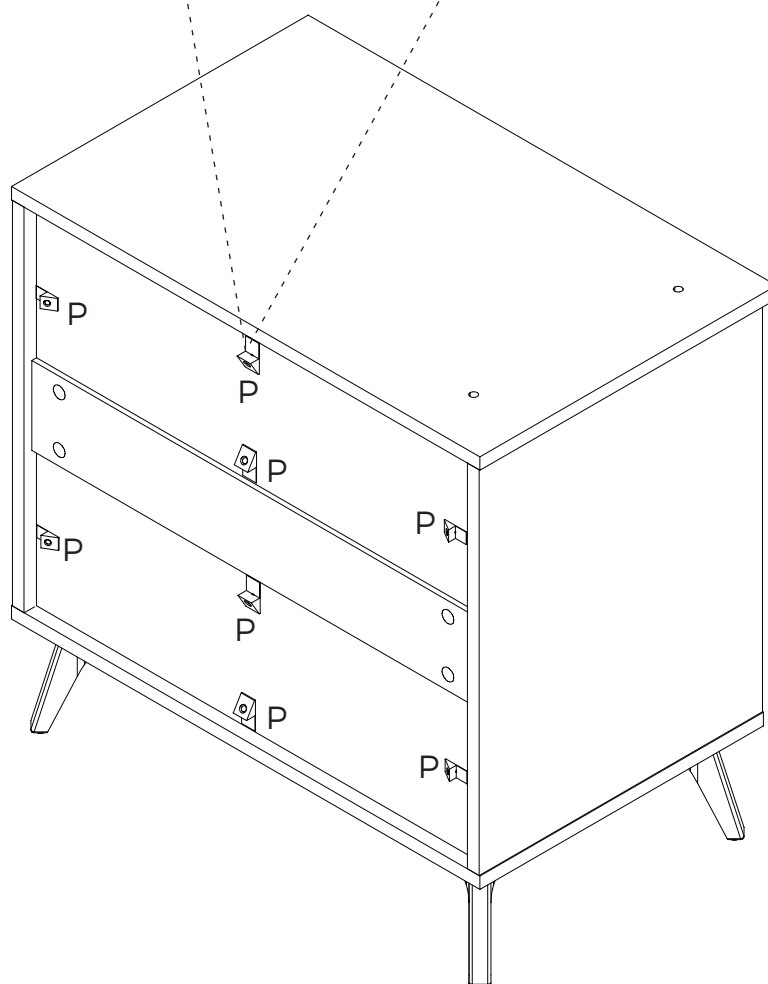
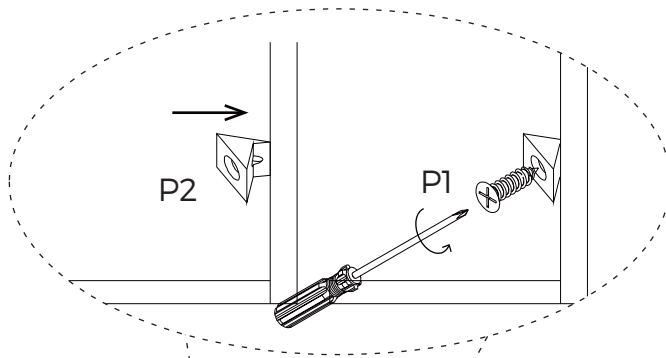
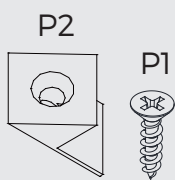
2pcs
8x40mm



STEP 15

Part P

8 sets

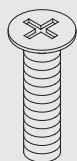


STEP 16

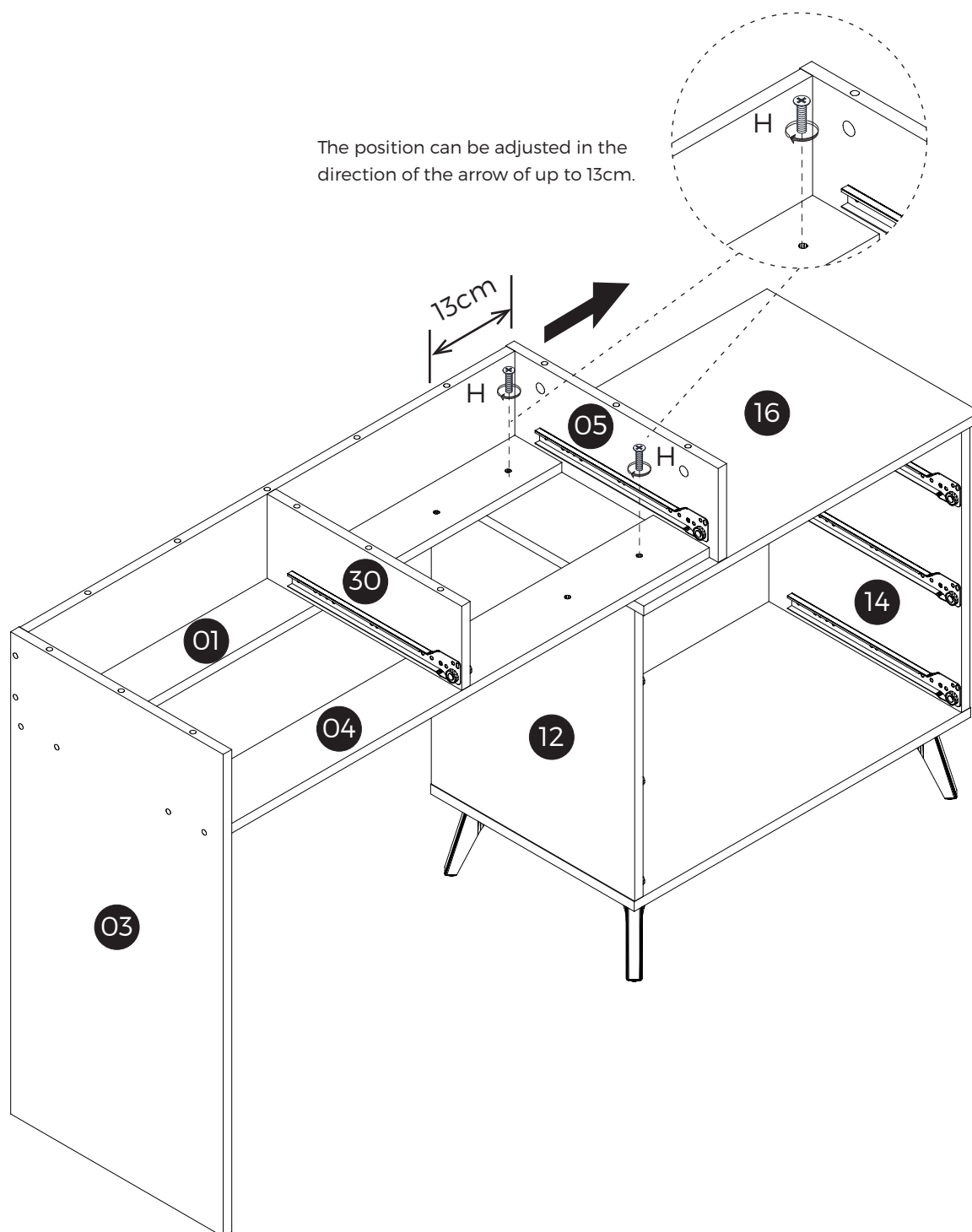
Part H

2pcs

M6x25mm



The position can be adjusted in the direction of the arrow of up to 13cm.



STEP 17

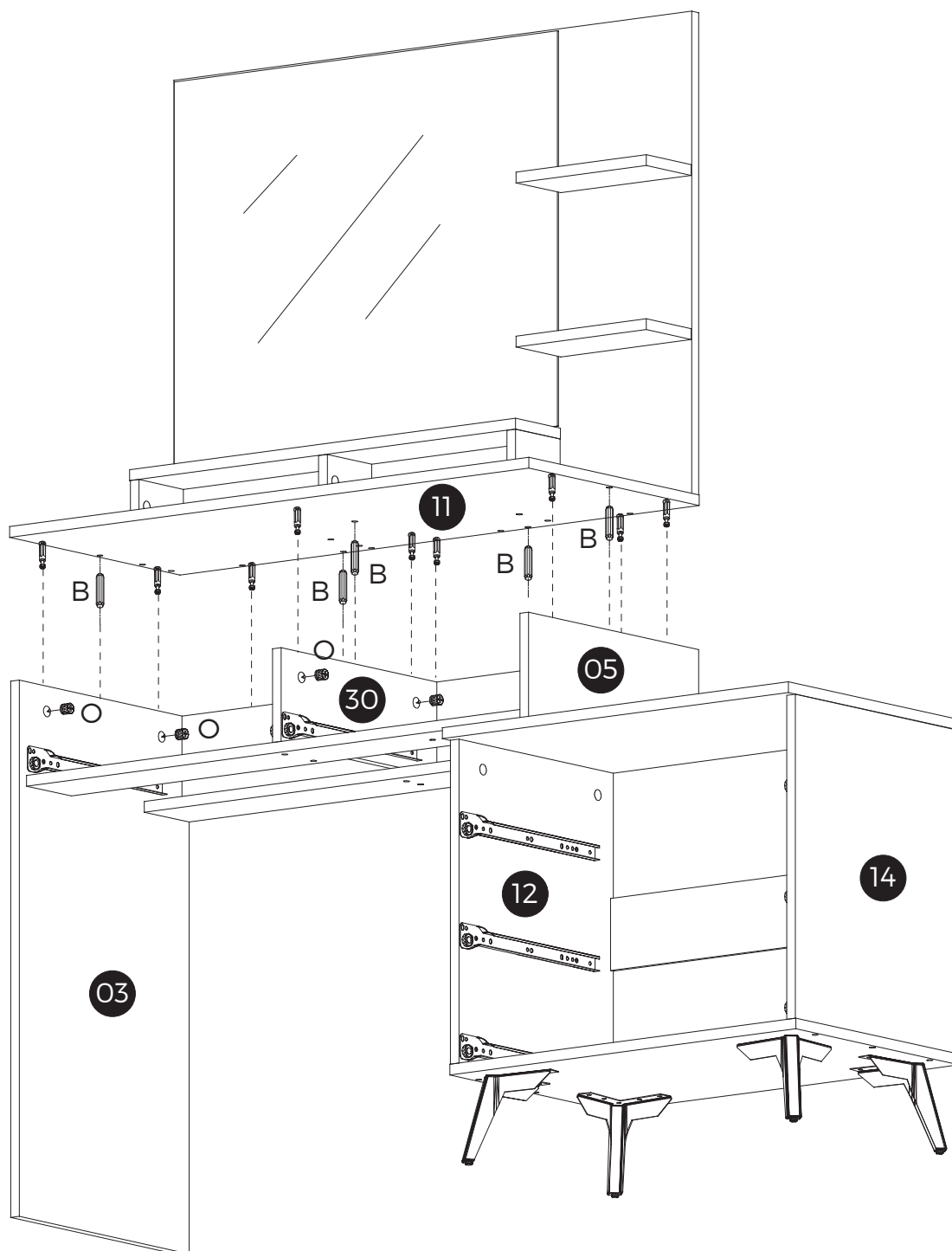
Part B

5pcs
8x40mm



Part O

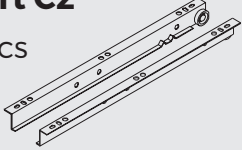
9pcs
11x15mm



STEP 18

Part C2

6pcs



Part D

12pcs
M3.5x14mm



Part E

12pcs
M3.5x35mm



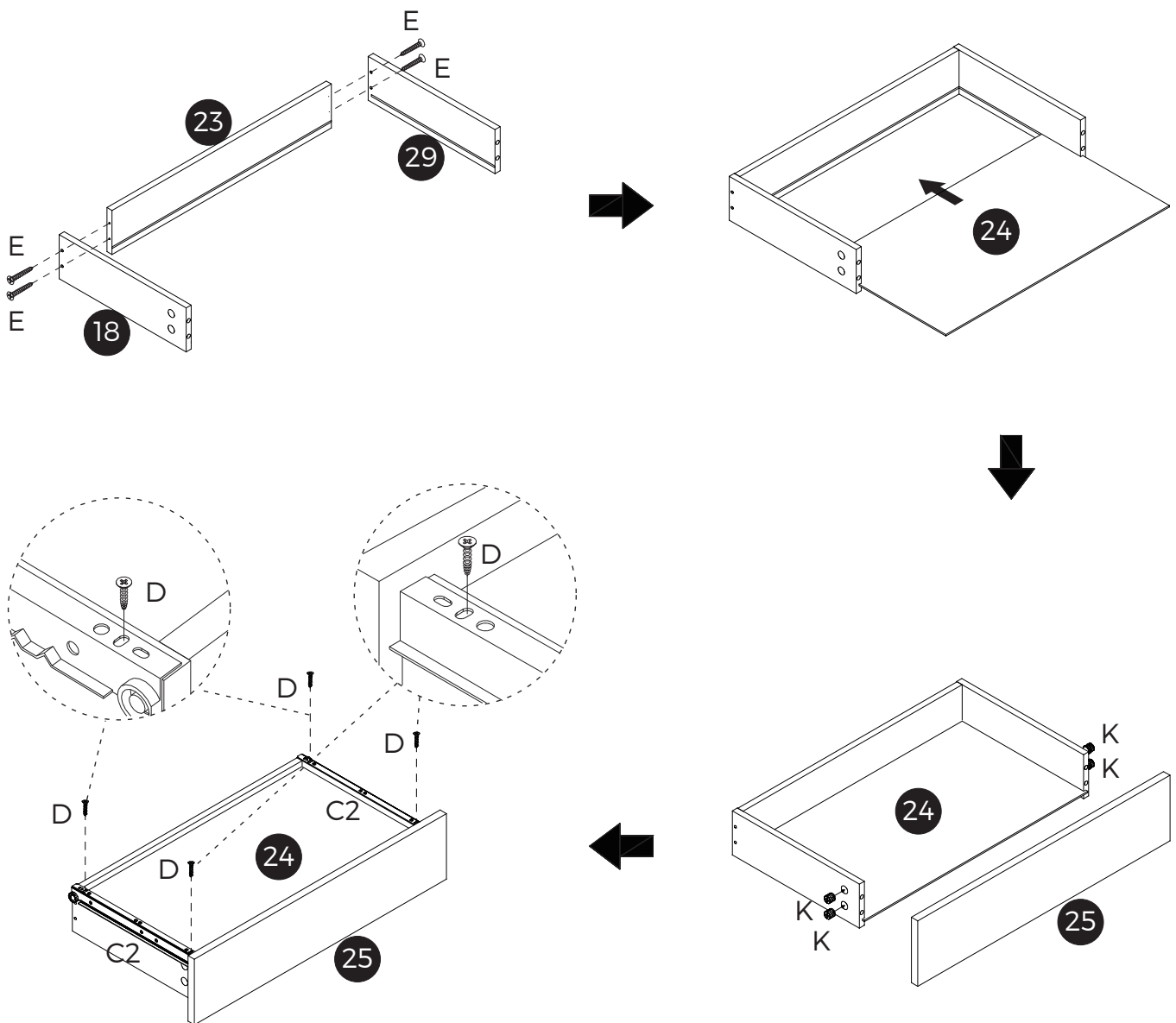
Part K

12pcs
9x15mm



x3

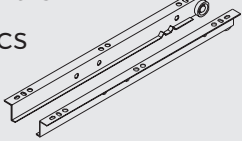
Assemble 3 large drawers



STEP 19

Part C2

4pcs



Part D

8pcs
M3.5x14mm



Part E

8pcs
M3.5x35mm



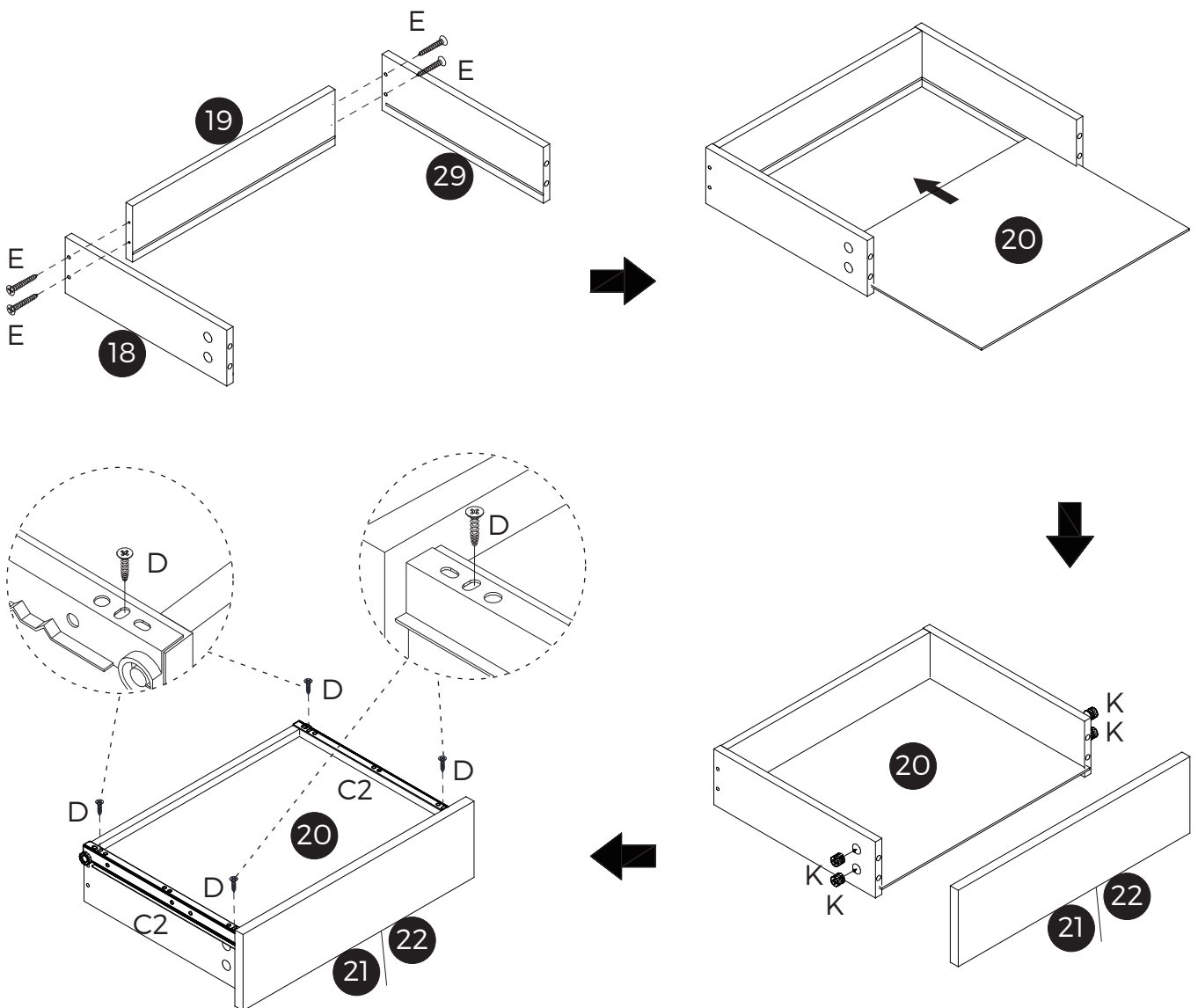
Part K

8pcs
9x15mm



x2

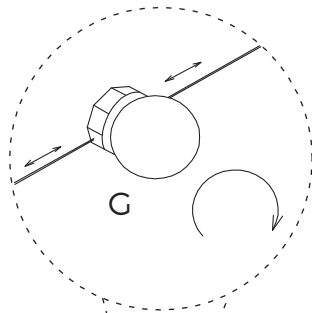
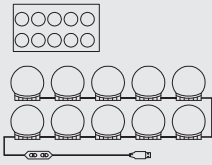
Assemble 2 small drawers



STEP 20

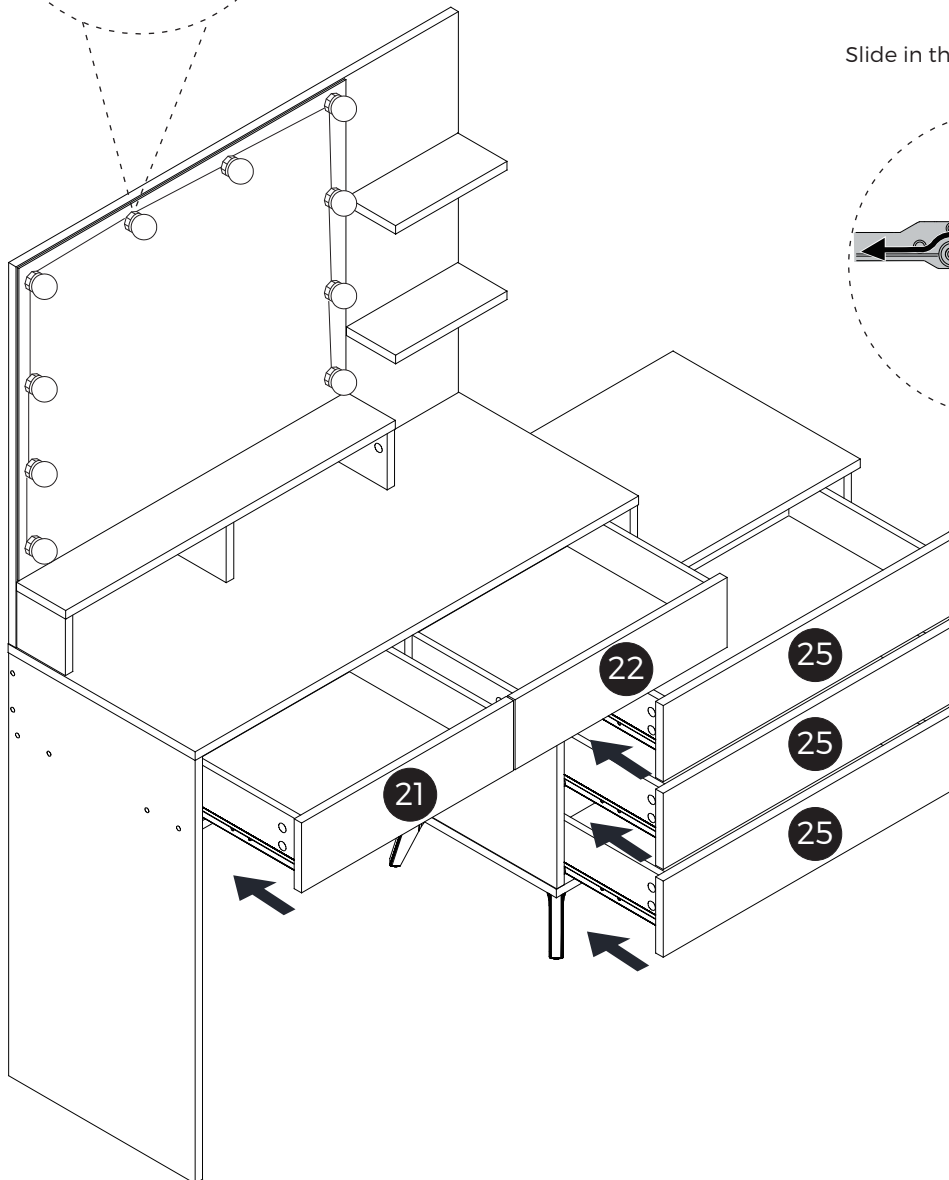
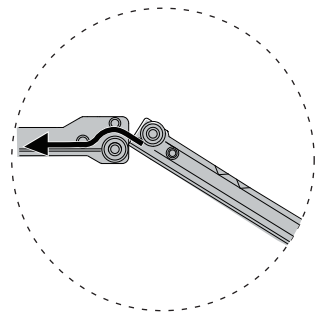
Part G

1 set



Screw in the bulbs G into the mirror as shown

Slide in the drawers as shown



STEP 21

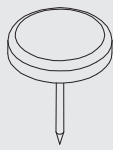
Part B

12pcs
8x40mm



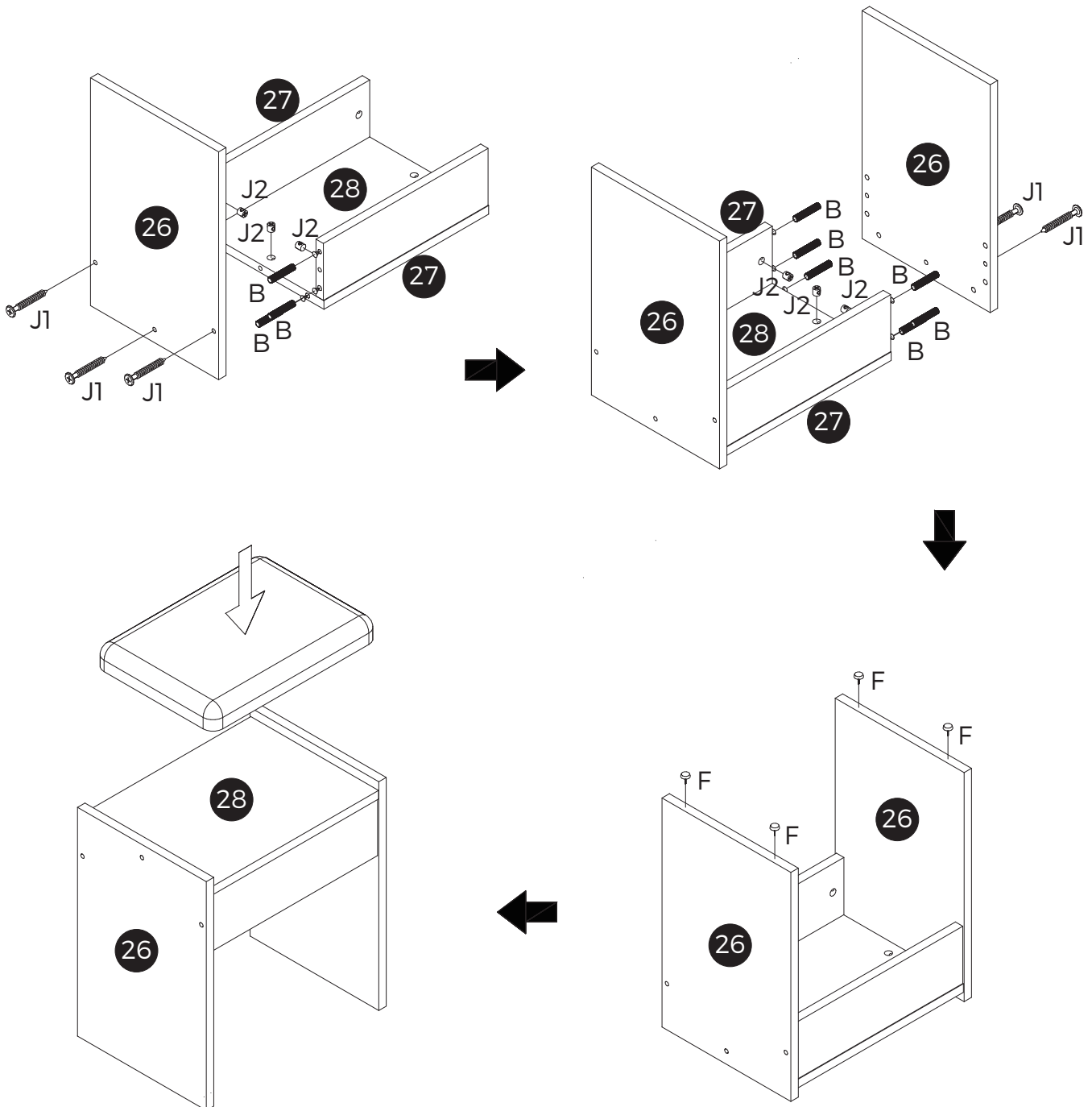
Part F

4pcs



Part J

6 sets



STEP 22

Part N

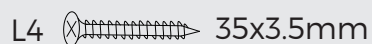
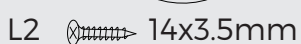
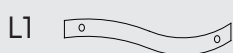
12pcs



Hole sticker

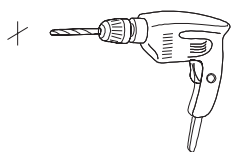
Part L

2 sets

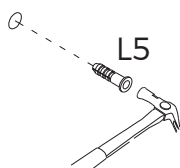


OPTIONAL •

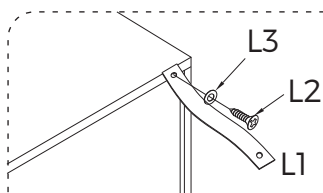
Please do this step only if you wish to secure the product to a wall. We recommend that you do so for safety reasons.



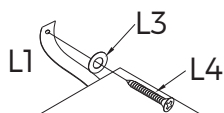
Mark and drill a hole in the wall.



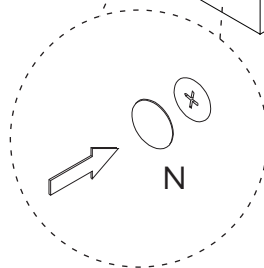
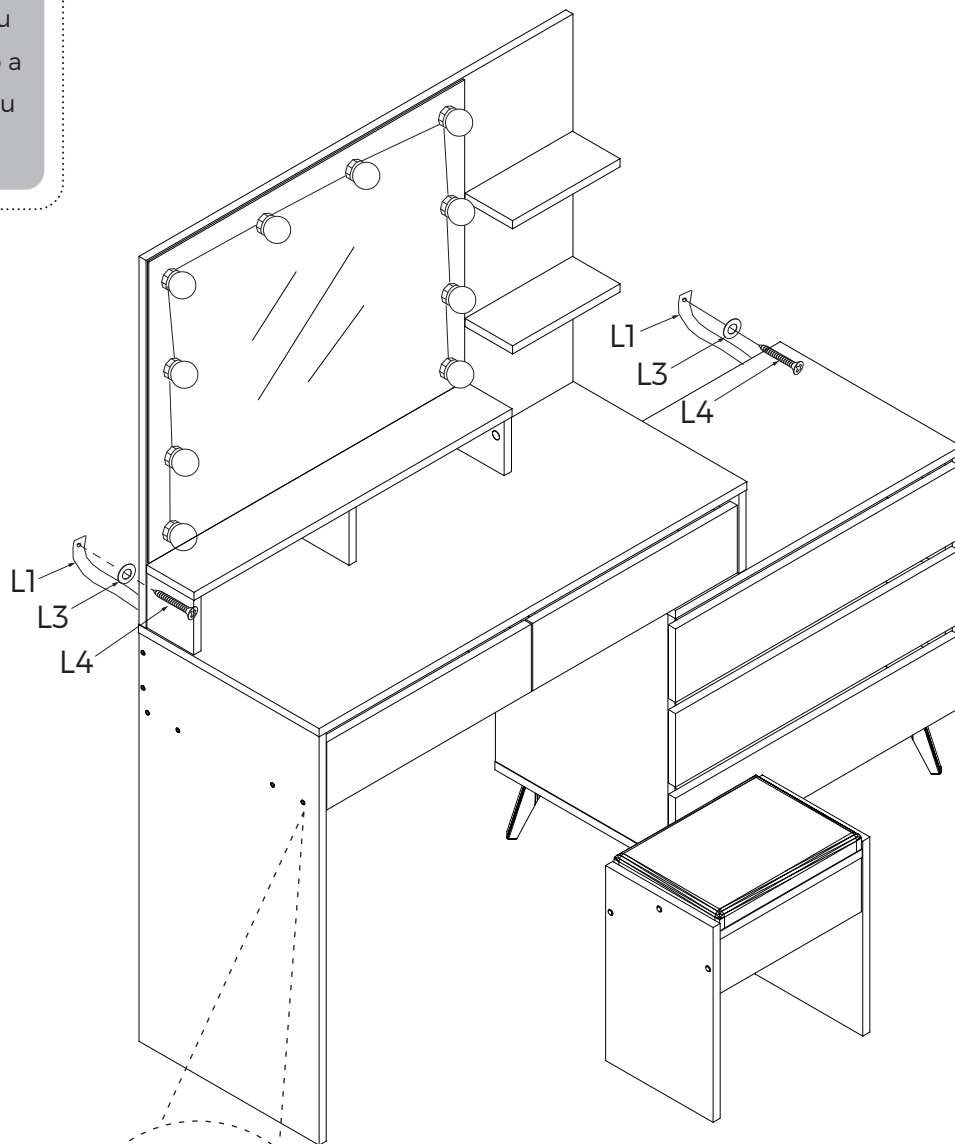
Lightly tap L5 into hole



Attach L1 to back of bedside table with L2 and L3

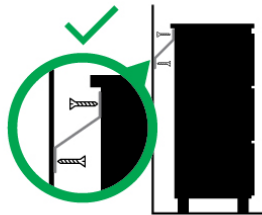


Secure L1 to wall with L3 and L4



Place the stickers N over the screw holes.

⚠ WARNING



Children have died from furniture tipover.

- ALWAYS secure this furniture with an anchor device.
- NEVER allow children to stand, climb or hang on drawers, doors, or shelves.

Well done!

**Love our furniture?
Share it!**

Tag us on instagram or facebook

@KampradsOikos1943