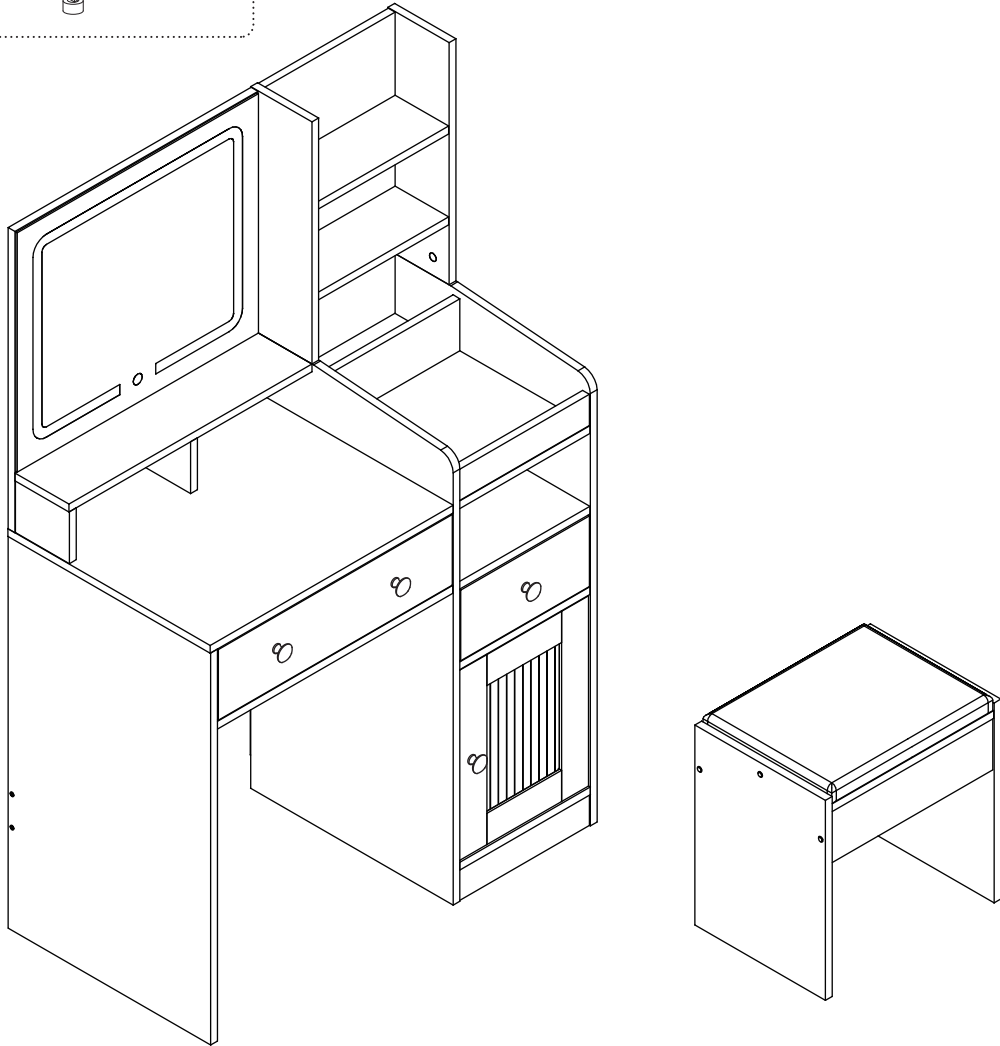
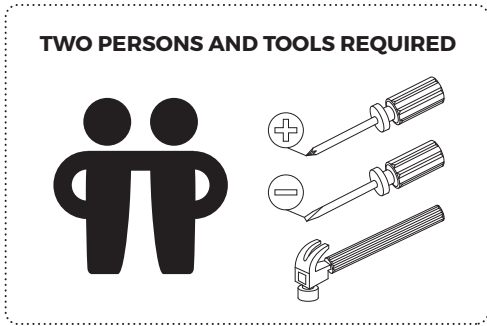


ASSEMBLY INSTRUCTIONS

Please read the instructions carefully before assembly and keep it for future reference.



DRESSING TABLE

Model : DT-ST-B22

Version 1.0

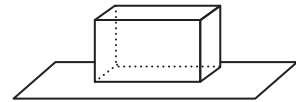
Assembly and Maintenance Tips



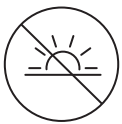
1. Keep children and pets away from the working area as small parts may cause choking if swallowed.



2. Some furniture may require two persons to assemble for safety reasons.



3. To protect the surfaces of the furniture, lay the parts and perform the assembly on top of a soft mat (such as a carpet or cardboard).



4. Keep the furniture away from direct sunlight to avoid fading.



5. Use a soft, damp cloth to clean or wipe surfaces.

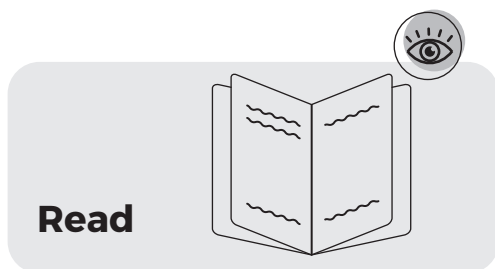


6. Never use ammonia-based or abrasive cleaning products to clean as they may damage the finish.



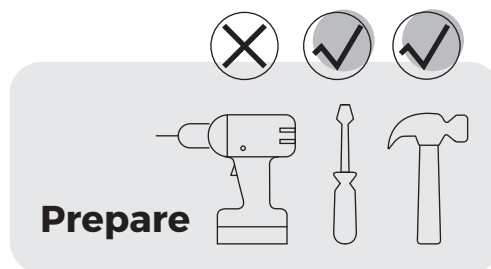
7. Do not place liquids or wet items on furniture as they may leave water marks/stains. Always use a coaster or runner to protect the furniture surface.

Assembly Checklist



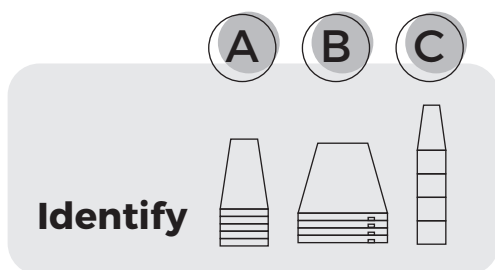
Read

Read through the instructions carefully before you begin.



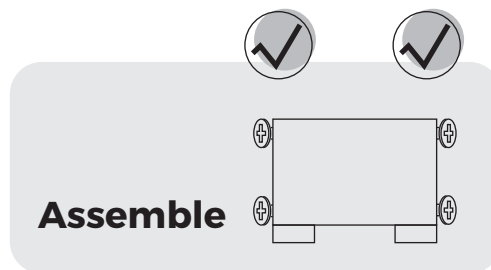
Prepare

Make sure you have all the required tools. Never use power tools unless instructed.



Identify

Identify and lay out all of the components before you begin assembly.



Assemble

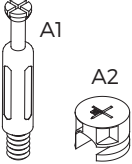

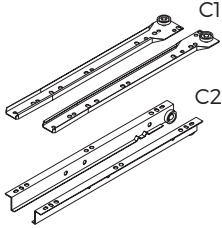


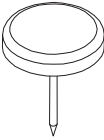
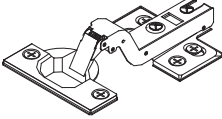

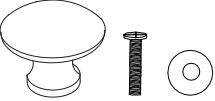
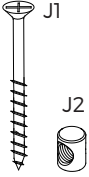


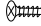

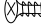
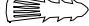


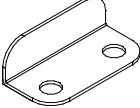
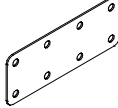
Please fully tighten all screws during the assembly process unless instructed not to do so.

Helpful Information

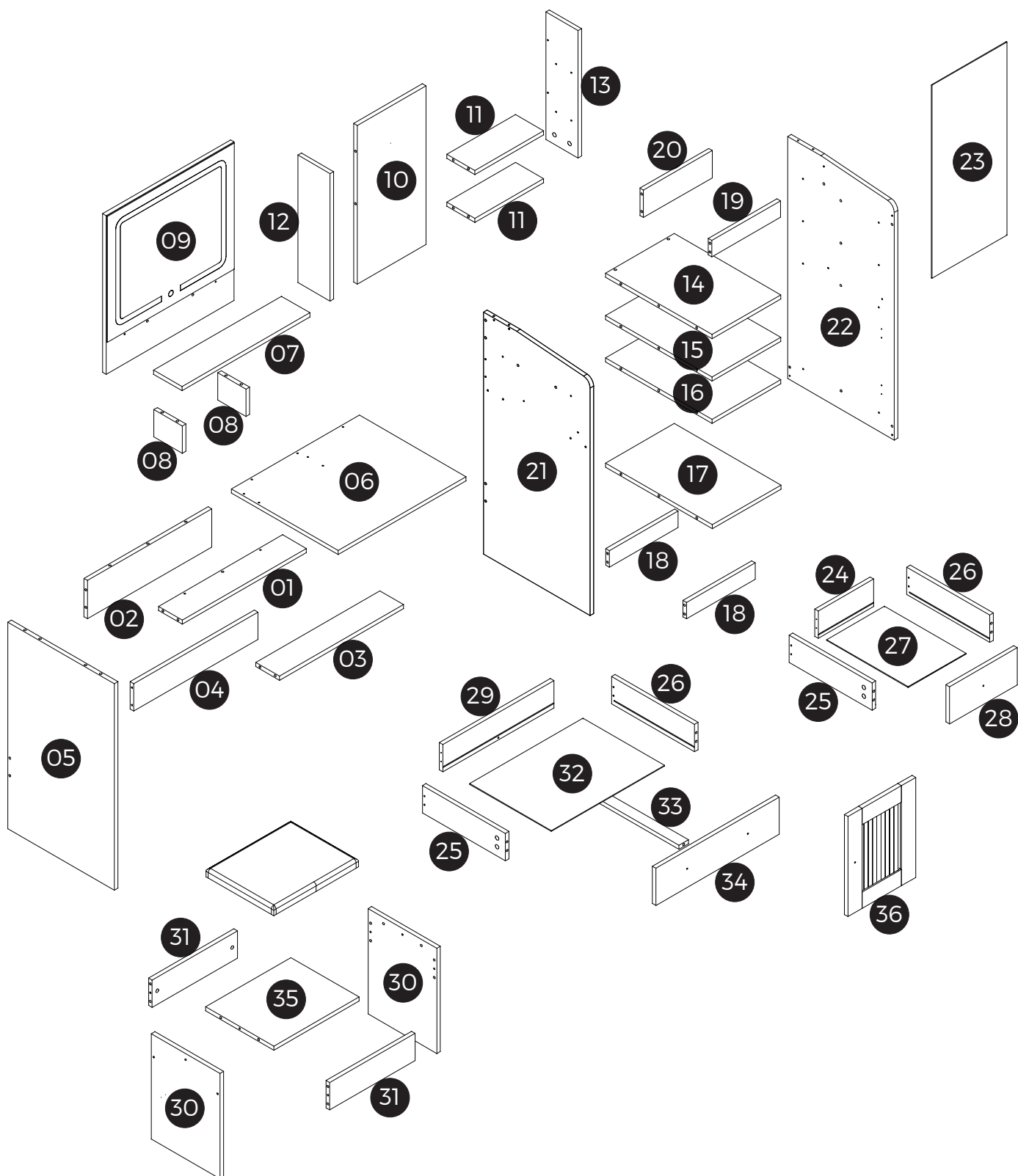
- ! Never use power tools unless specifically instructed. They can damage your components or hardware if used incorrectly.
- ! The most common mistakes made during assembly are using the wrong hardware or getting components back to front.
- ! When assembling the product, it is recommended to do so on top of a soft surface such as a carpet or cardboard to avoid scratches and damages to the furniture surfaces.
- ! Bulky items such as wardrobes should be assembled in the location when the assembled piece will be used to avoid moving them through doors or tight passages.
- ! Never use any glue until you are certain that the parts belong together.
- ! Periodically check that all connections are secured and follow all care and maintenance instructions stated.
- ! If you encounter any assembly difficulties or missing components and/or hardware, please contact our Customer Support for further assistance.

Hardware List

Please ensure that all parts and hardware are in the packaging contents. If there are any missing parts and/or hardware, please contact our Customer Support as soon as possible.

<p>Part A 85pcs</p> 	<p>Part B 36pcs 8x40mm</p> 	<p>Part C 2 sets</p> 	<p>Part D 34pcs M3.5x14mm</p> 
<p>Part E 8pcs M3.5x35mm</p> 	<p>Part F 4pcs</p> 	<p>Part G 2pcs</p> 	<p>Part H 20pcs</p> 
<p>Part I 4 sets</p> 	<p>Part J 6 sets</p> 	<p>Part K 8pcs M7x50mm</p> 	<p>Part L 2 sets</p> <ul style="list-style-type: none"> L1  L2  14x3.5mm L3  L4  35x3.5mm L5 
<p>Part M 1pc</p> 	<p>Part N 2pcs</p> <p>Hole sticker</p> 	<p>Part O 1pc</p> 	<p>Part P 1pc</p> 

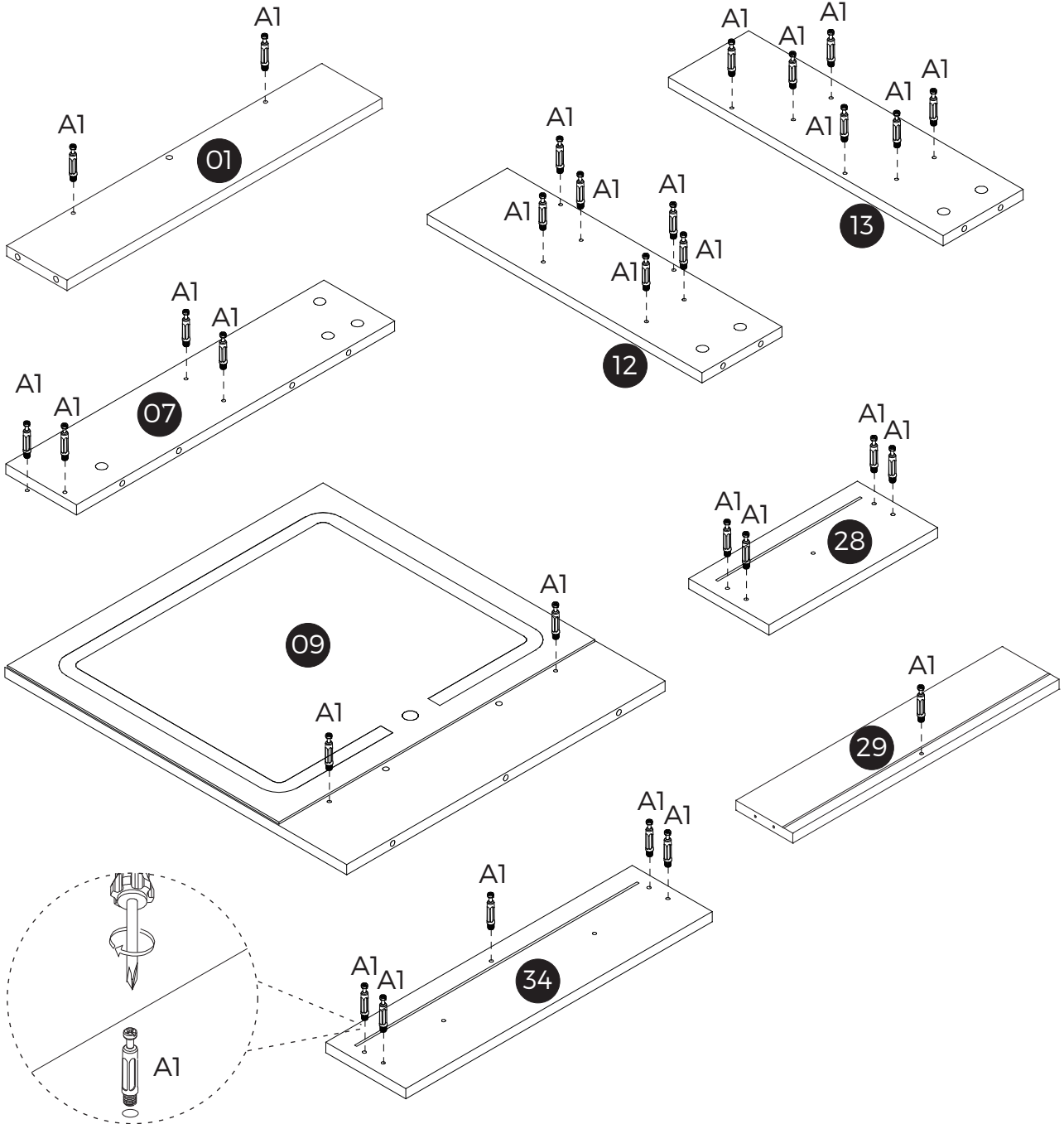
Parts List



STEP 1

Part A1

30pcs



STEP 2

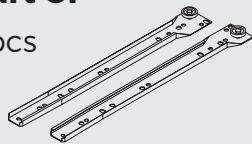
Part A1

20pcs



Part C1

2pcs



Part D

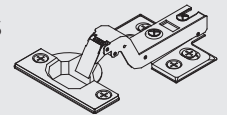
10pcs

M3.5x14mm



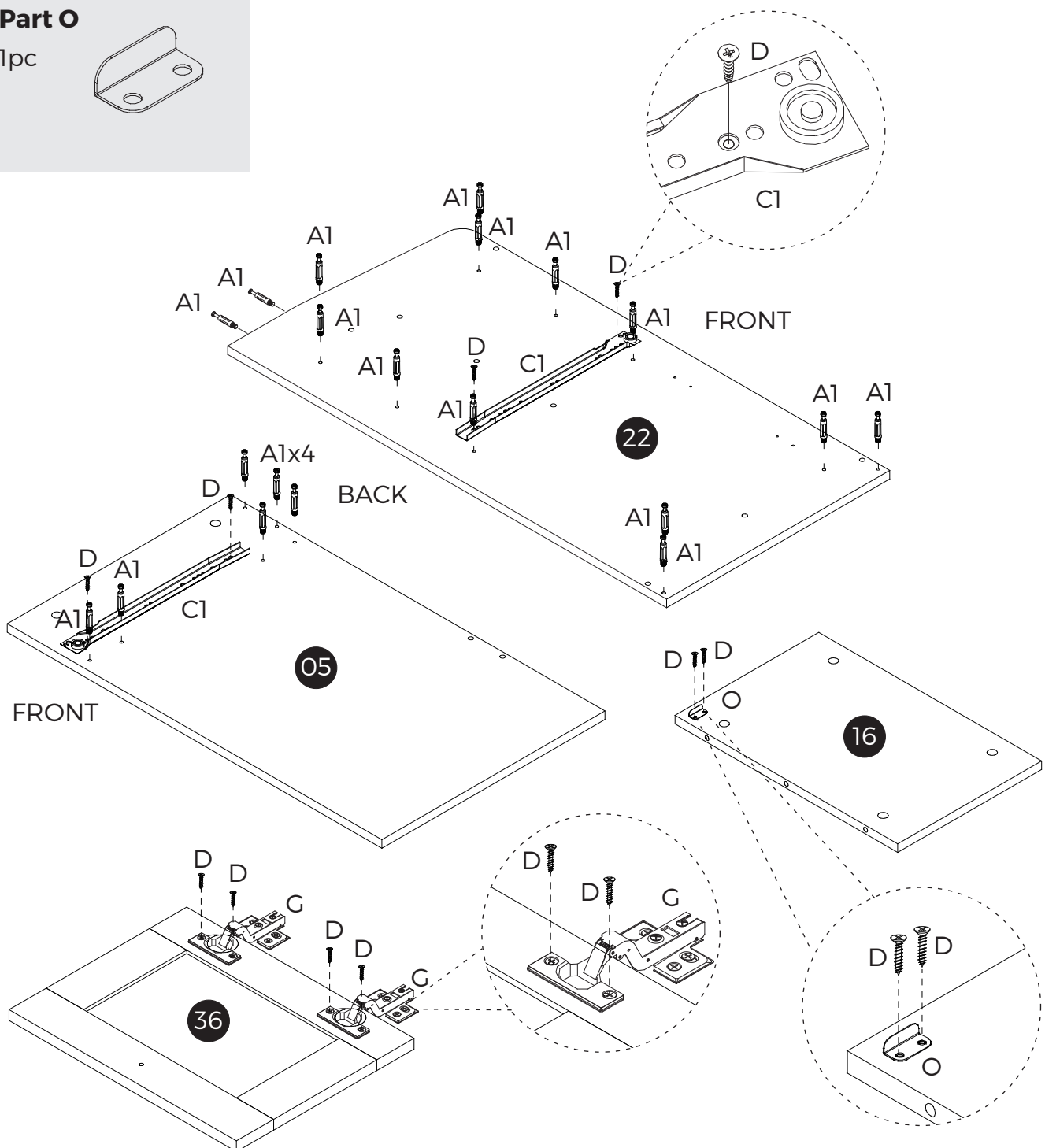
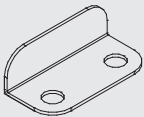
Part G

2pcs



Part O

1pc



STEP 3

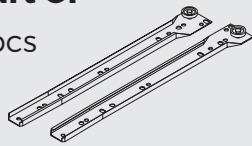
Part A1

35pcs



Part C1

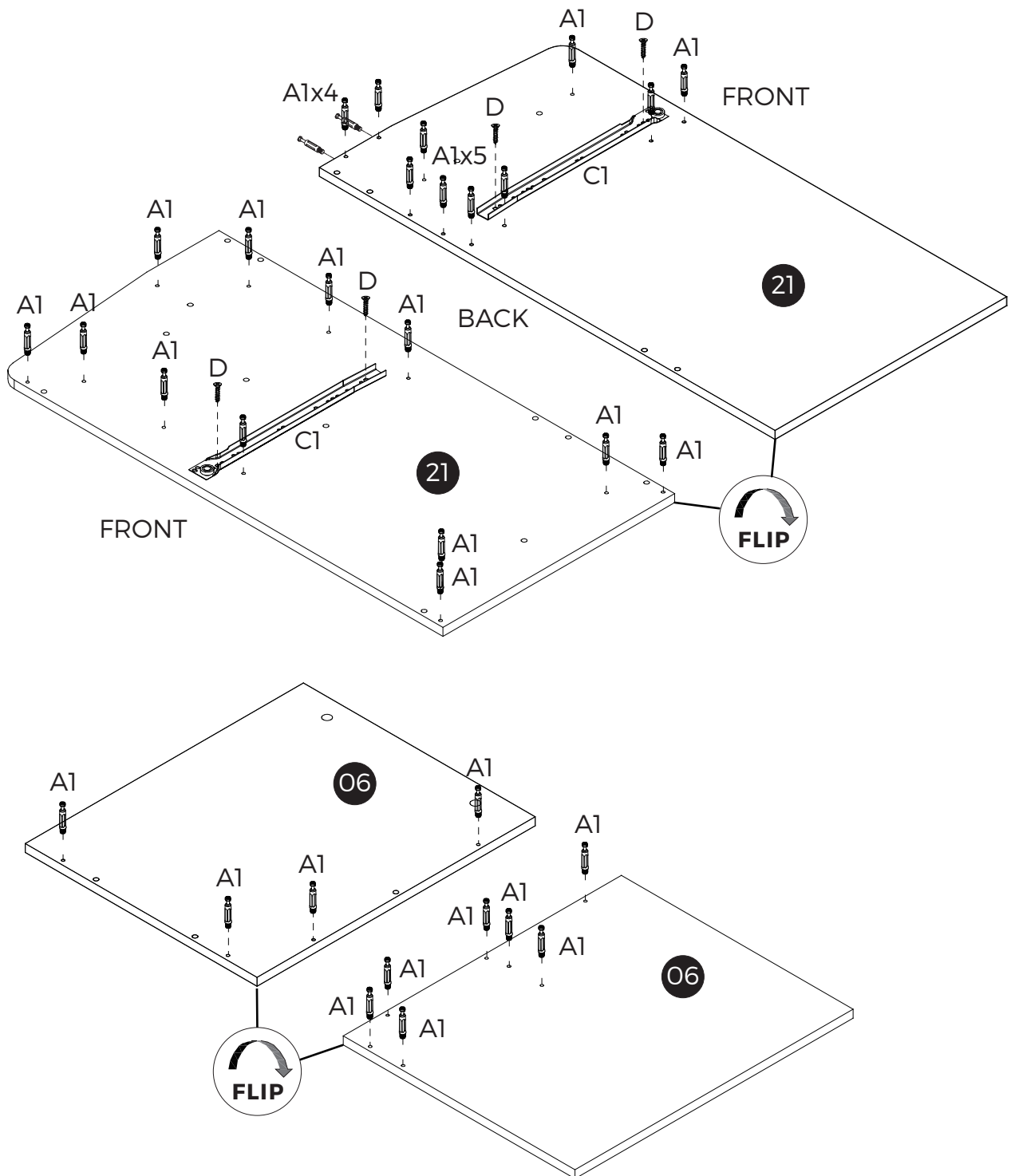
2pcs



Part D

4pcs

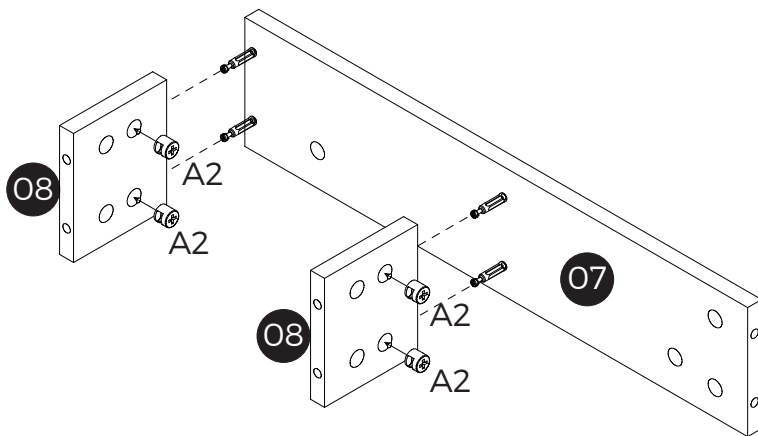
M3.5x14mm



STEP 4

Part A2

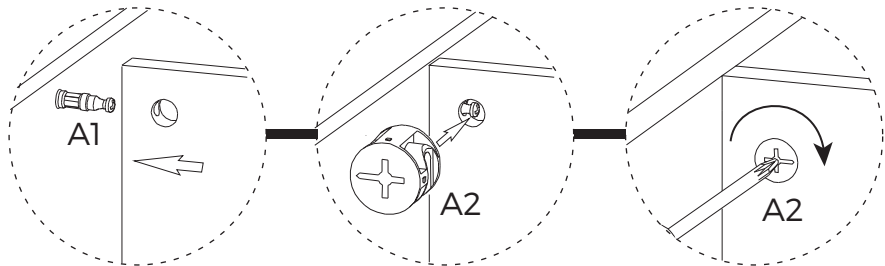
4pcs



STEP 5

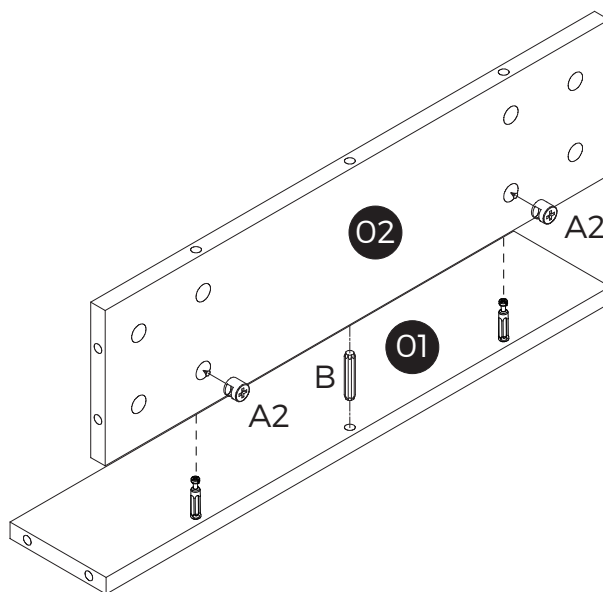
Part A2

2pcs



Part B

1pc
8x40mm



STEP 6

Part A2

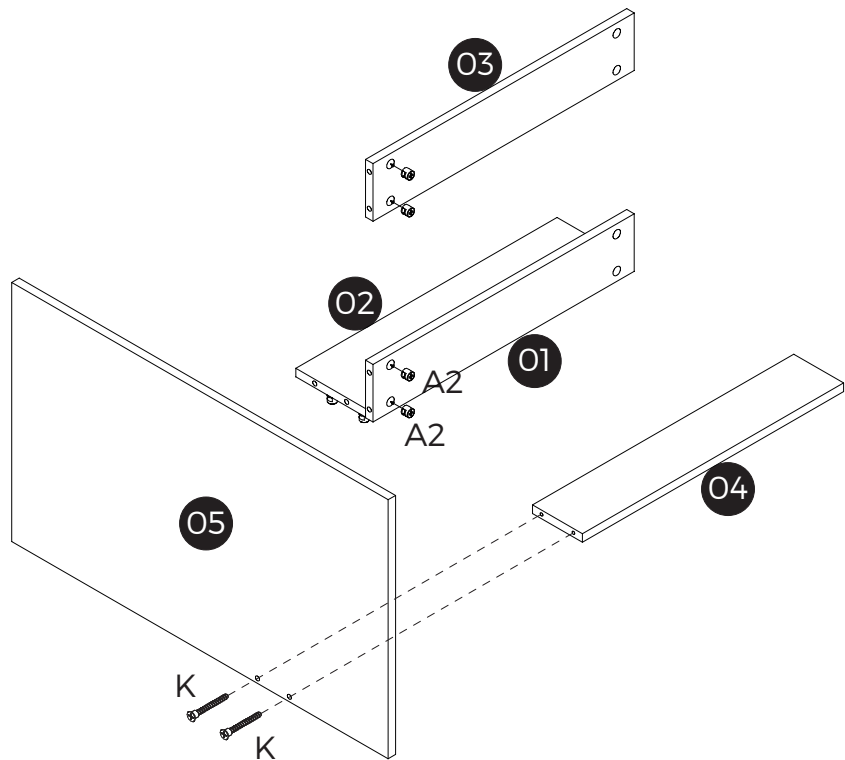
6pcs



Part K

2pcs

M7x50mm



STEP 7

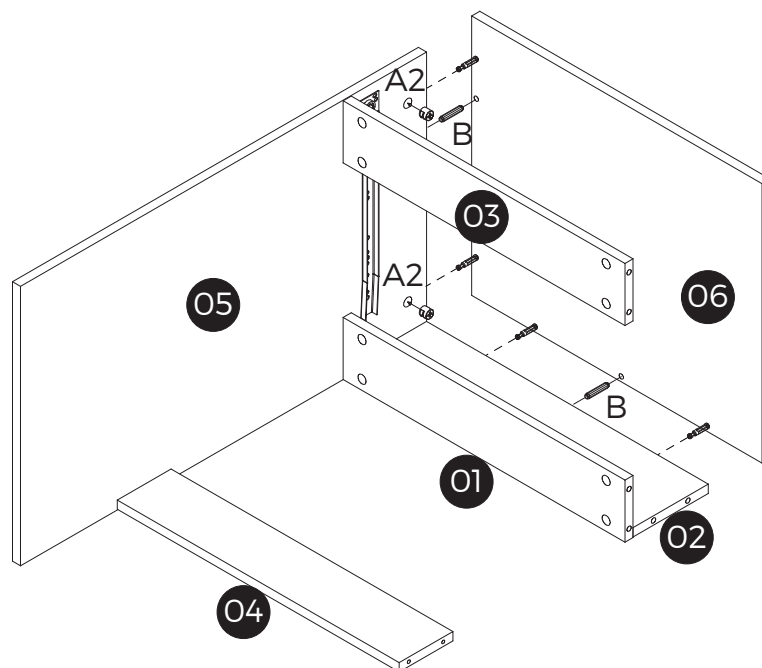
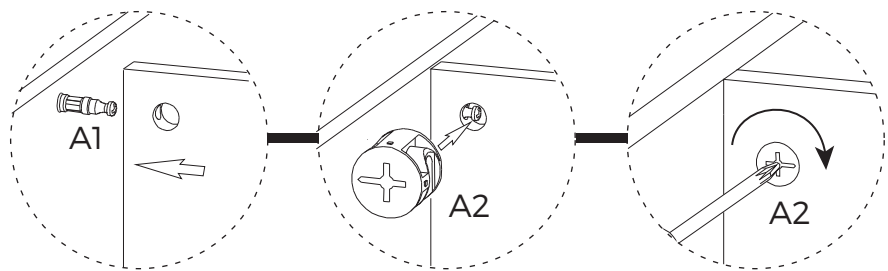
Part A2

4pcs



Part B

3pcs



STEP 8

Part A2

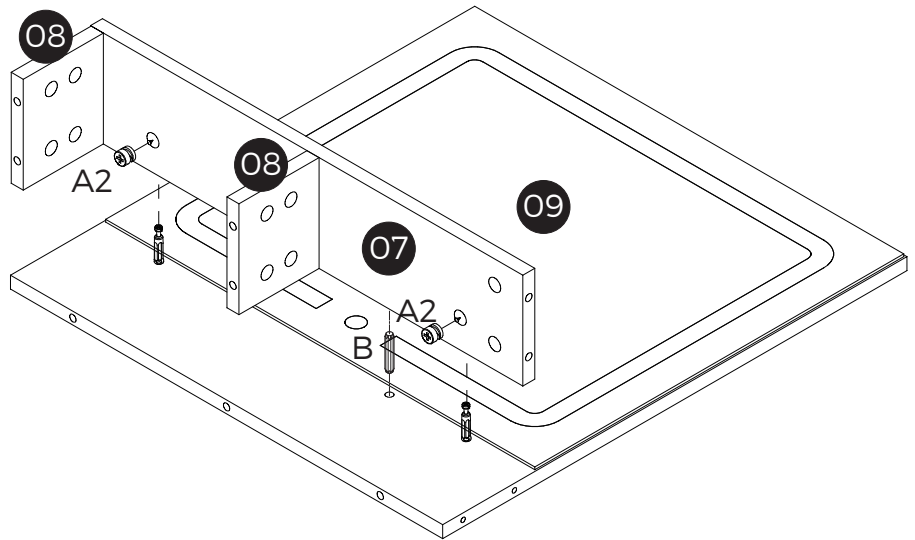
2pcs



Part B

2pcs

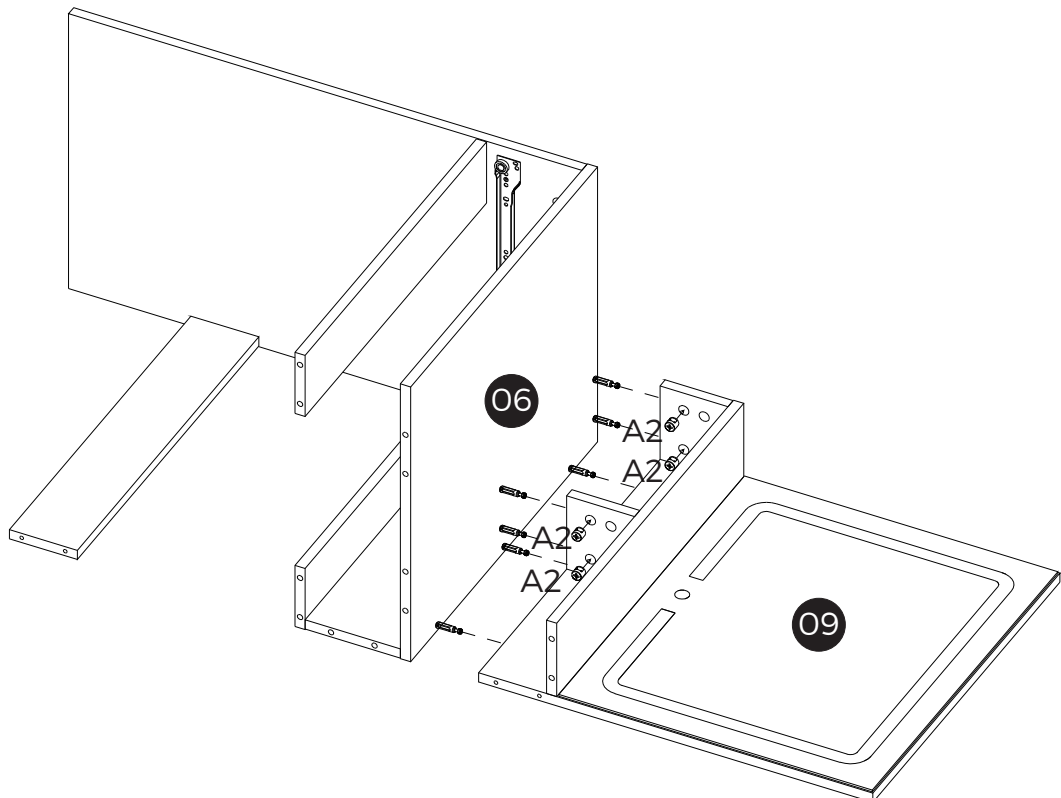
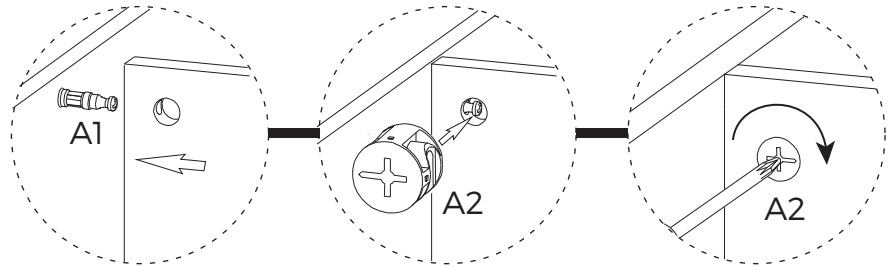
8x40mm



STEP 9

Part A2

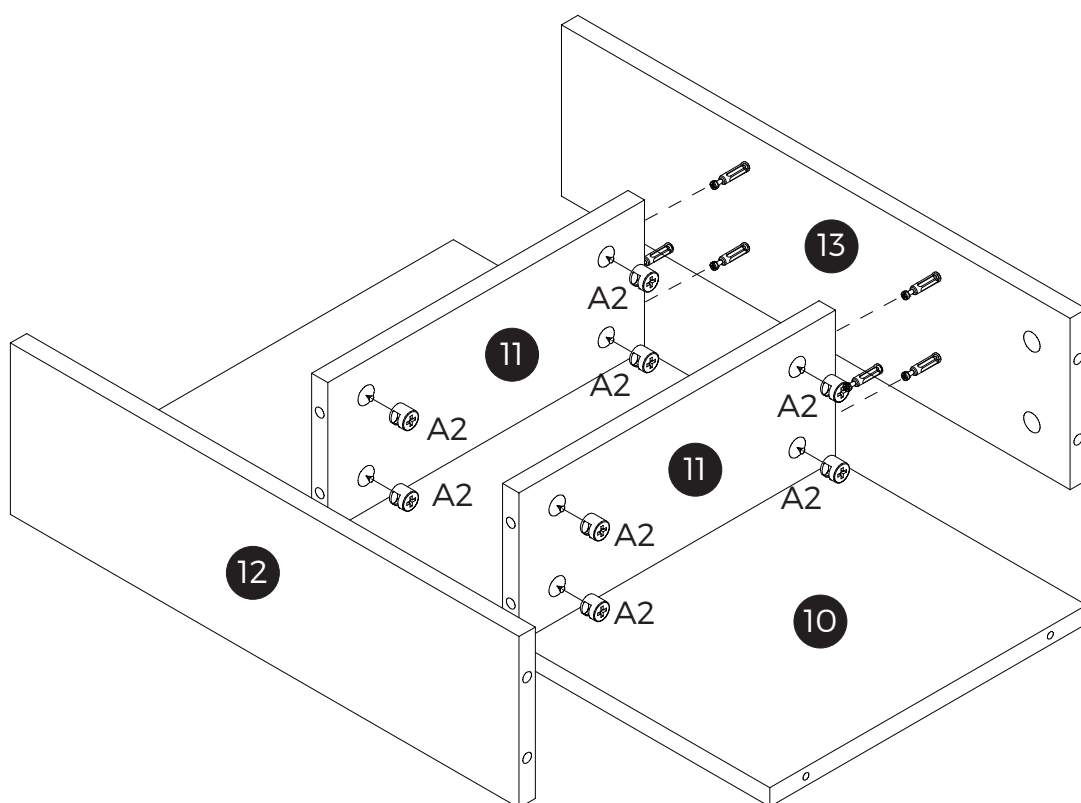
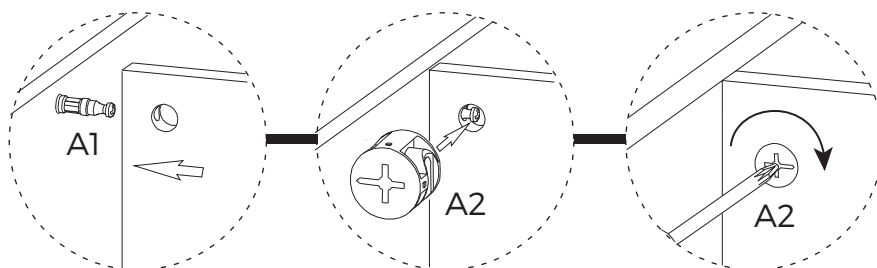
7pcs



STEP 10

Part A2

12pcs



STEP 11

Part A2

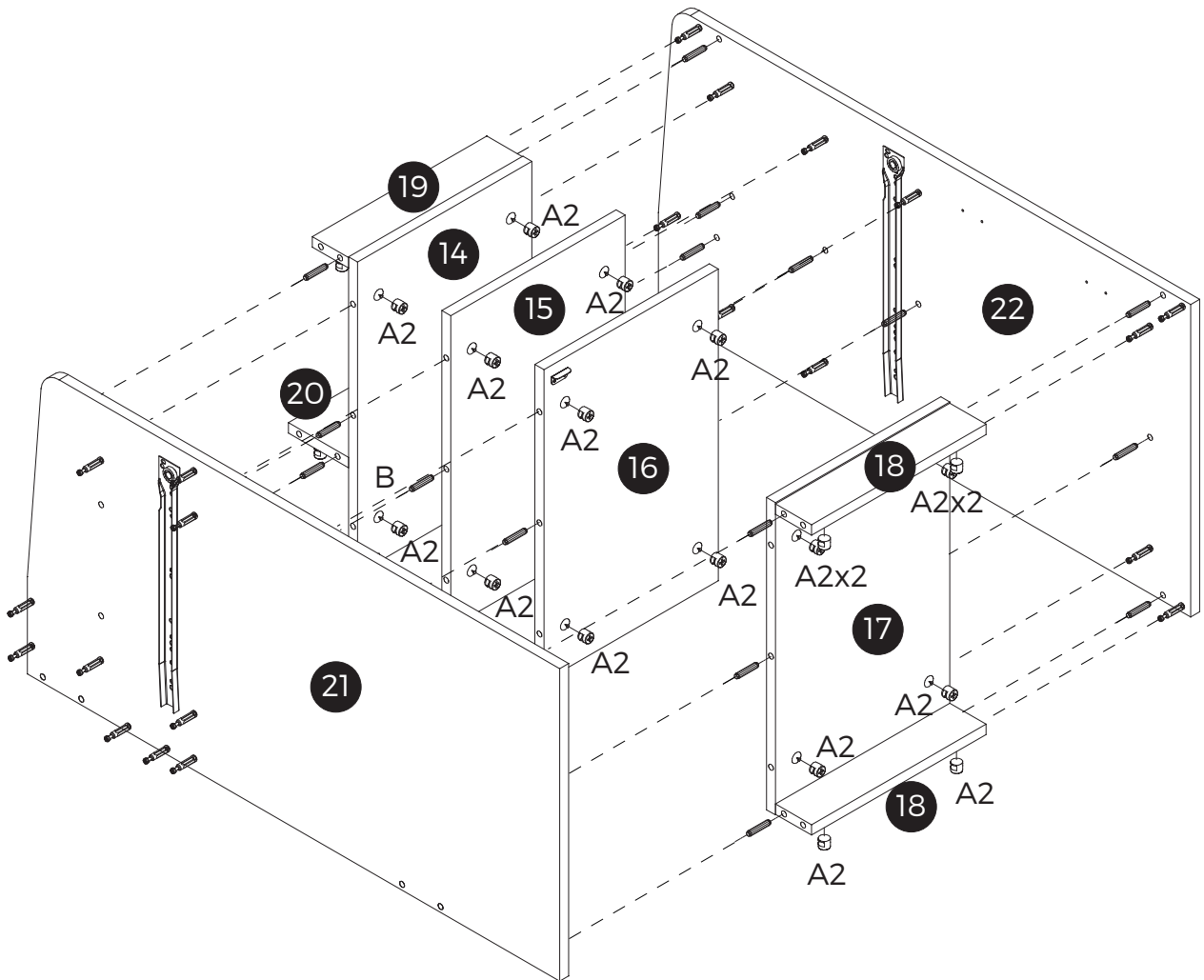
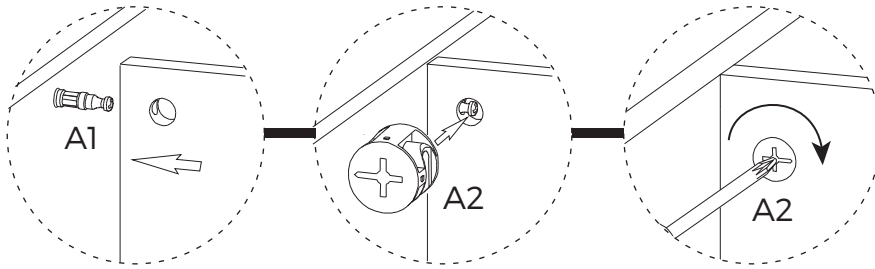
24pcs



Part B

16pcs

8x40mm



STEP 12

Part A2

10pcs



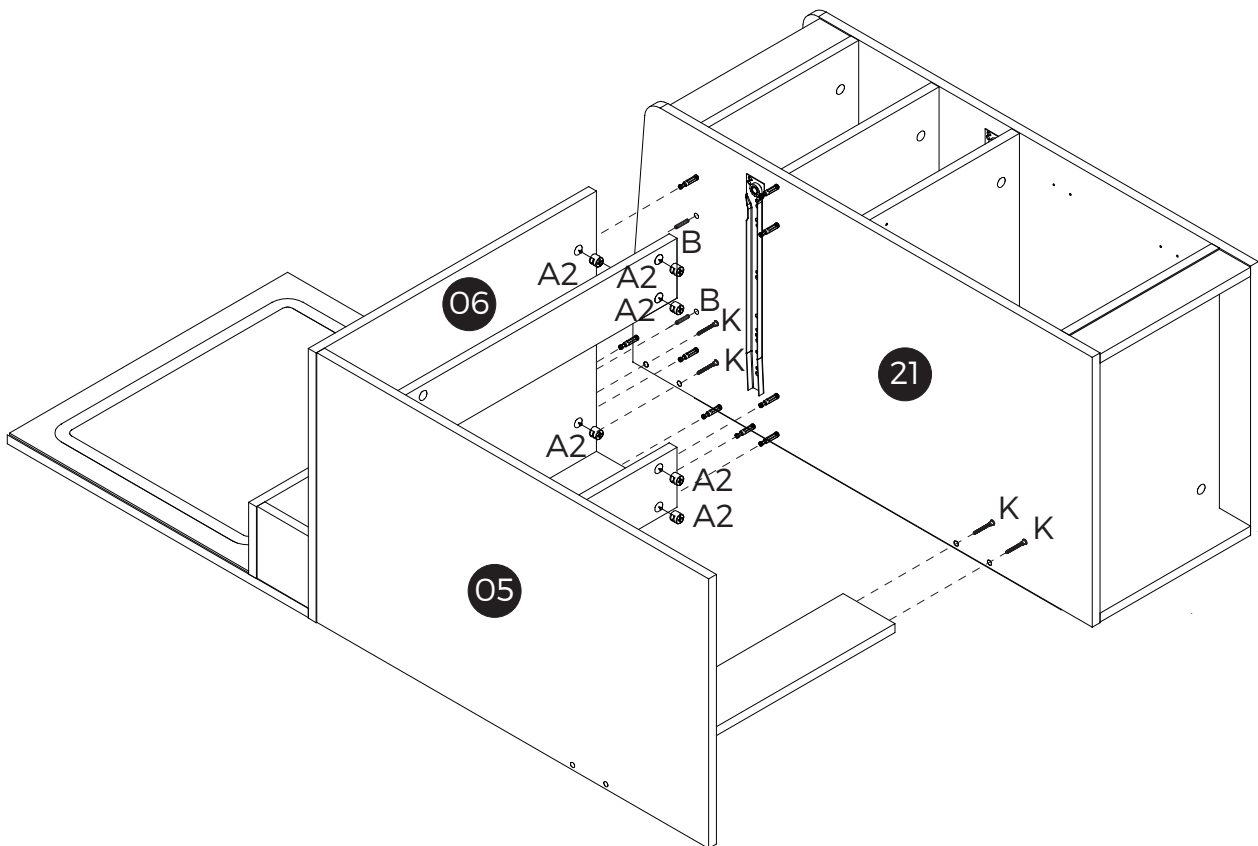
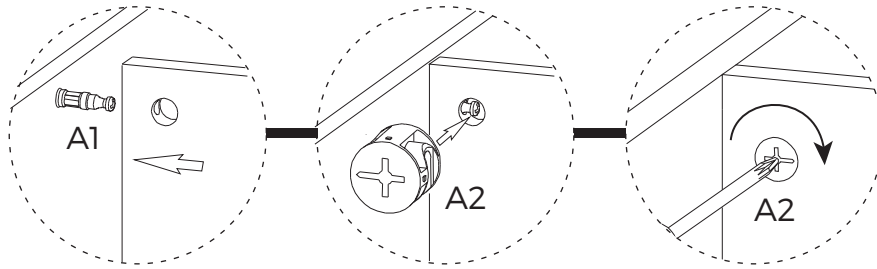
Part B

2pcs
8x40mm



Part K

4pcs
M7x50mm



STEP 13

Part A2

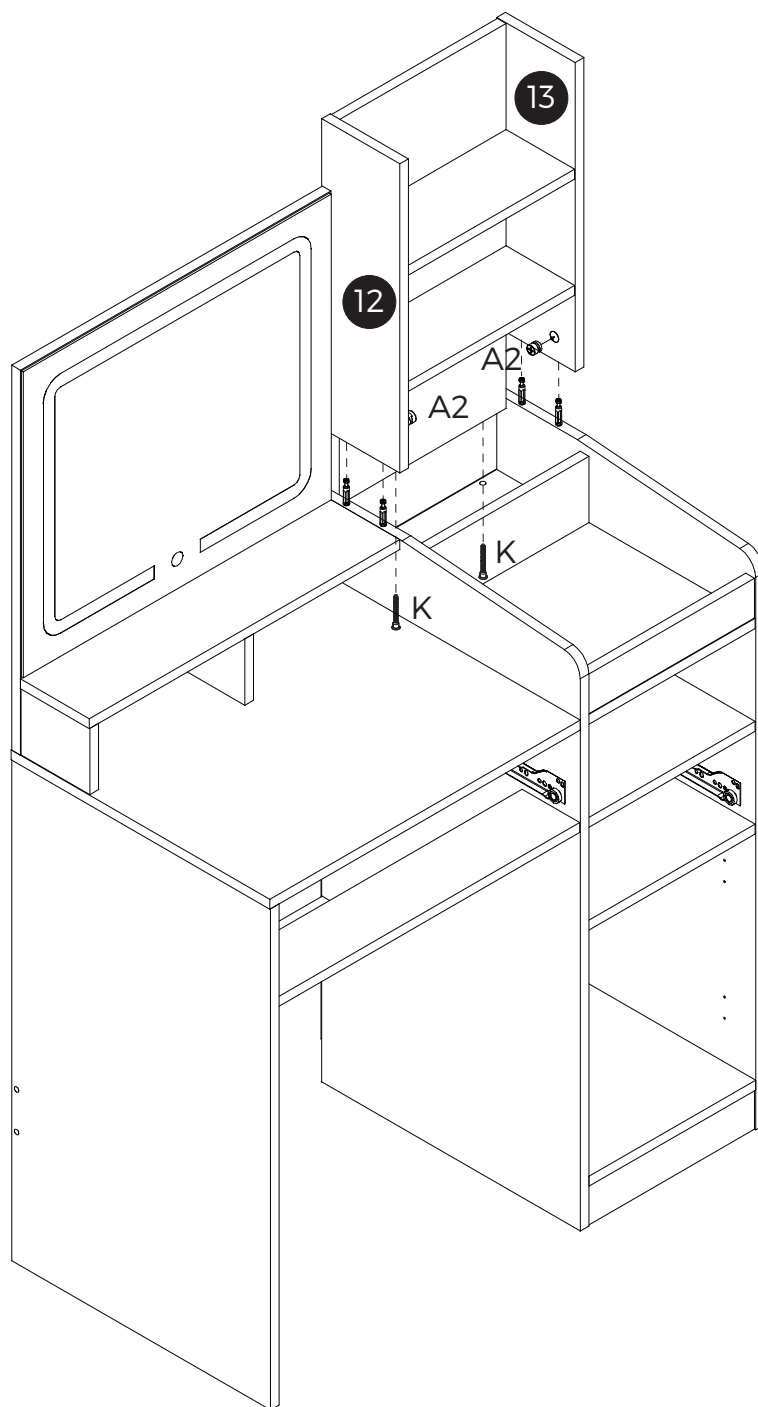
4pcs



Part K

2pcs

M7x50mm



STEP 14

Part D

8pcs
M3.5x14mm



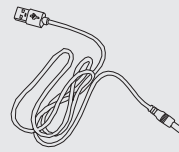
Part H

20pcs
M7x50mm



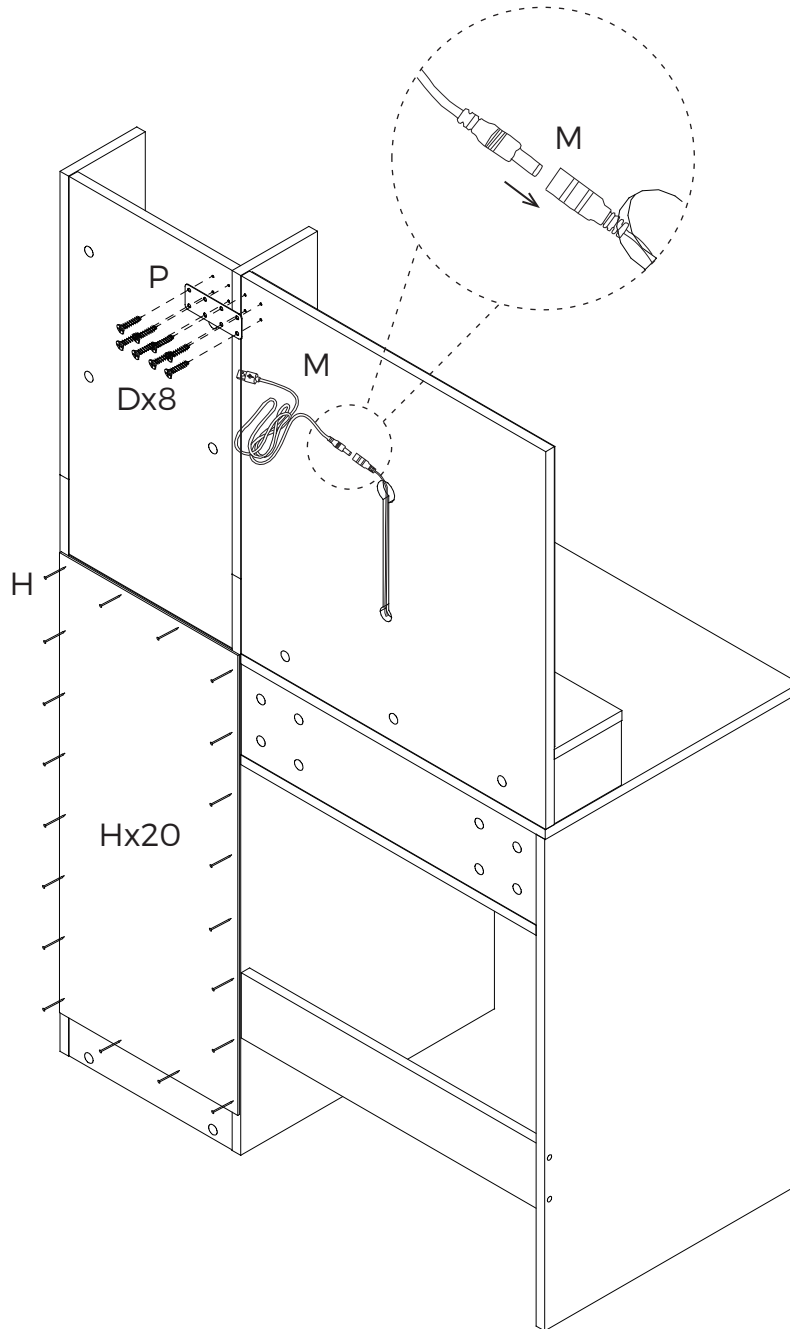
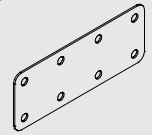
Part M

1pc



Part P

1pc



STEP 15

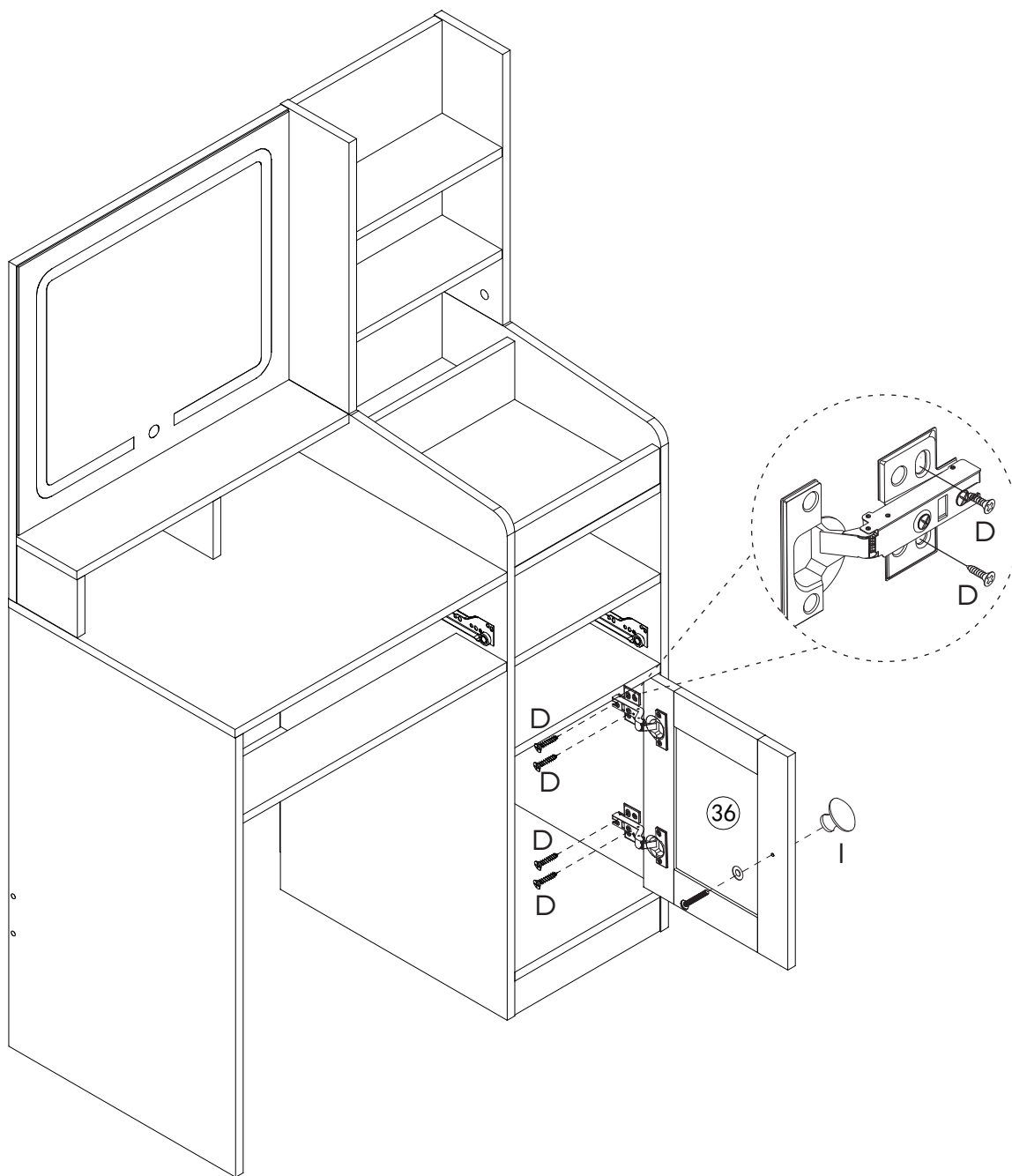
Part D

4pcs
M3.5x14mm



Part I

1 set



STEP 16

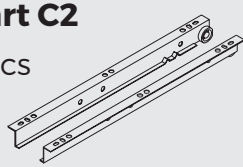
Part A2

6pcs



Part C2

2pcs



Part D

4pcs

M3.5x14mm



Part E

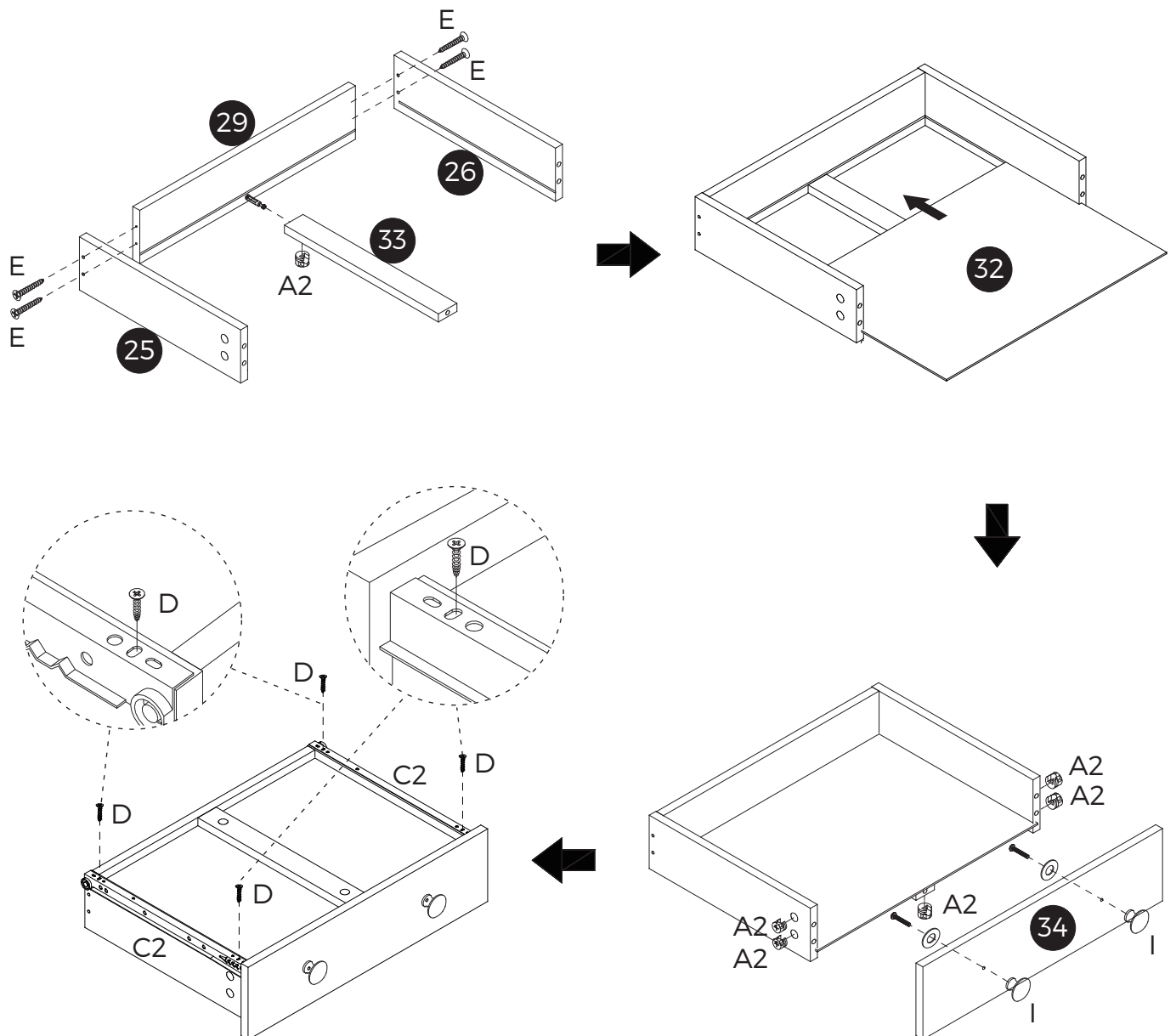
4pcs

M3.5x35mm



Part I

2 sets



STEP 17

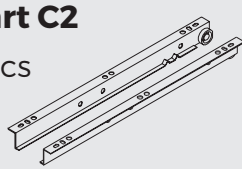
Part A2

4 pcs



Part C2

2 pcs



Part D

4 pcs

M3.5x14mm



Part E

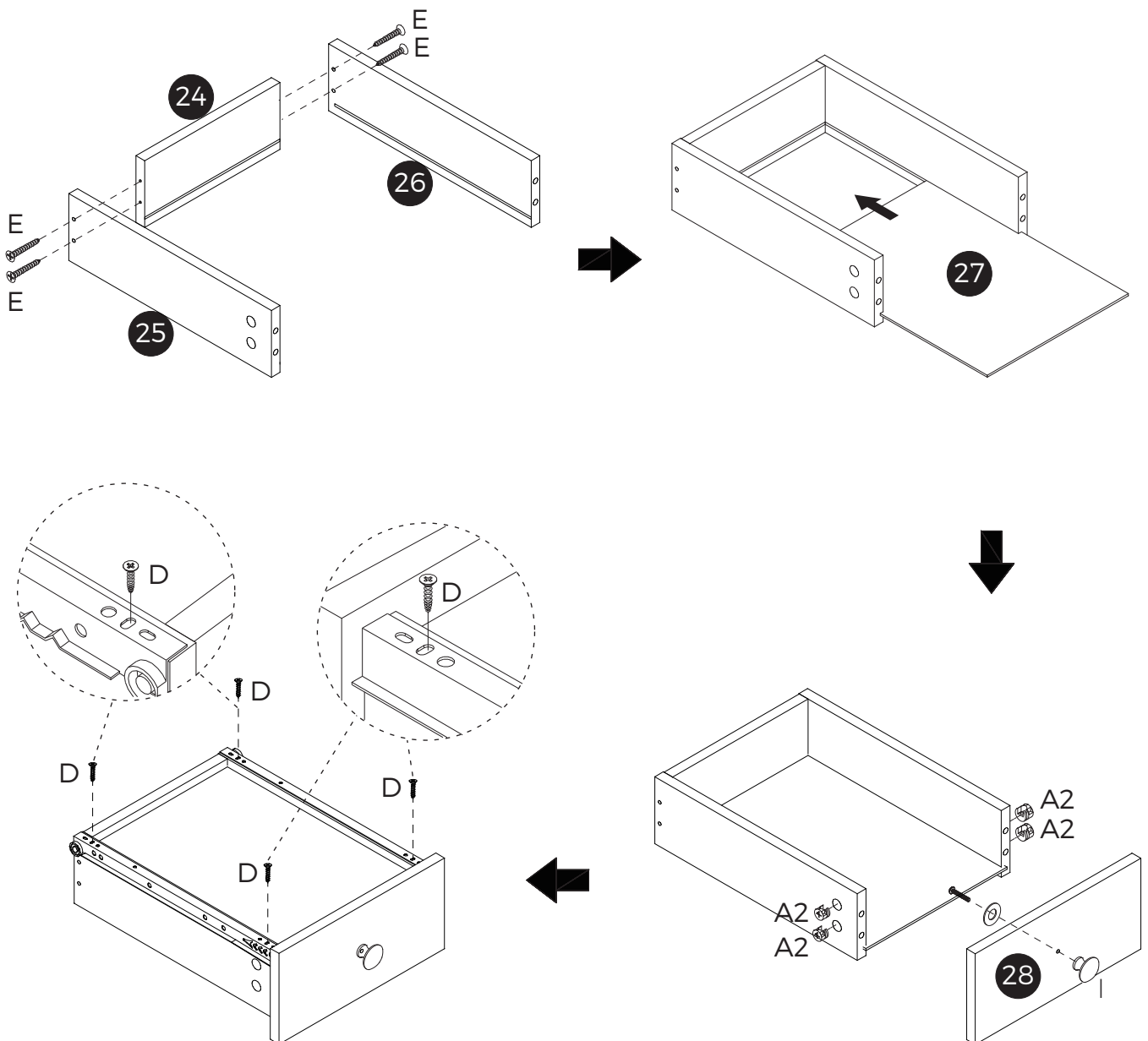
4 pcs

M3.5x35mm

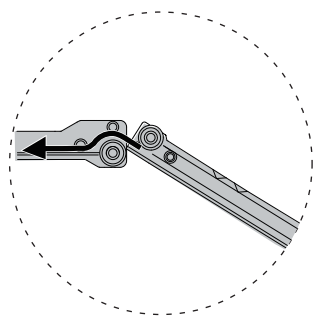


Part I

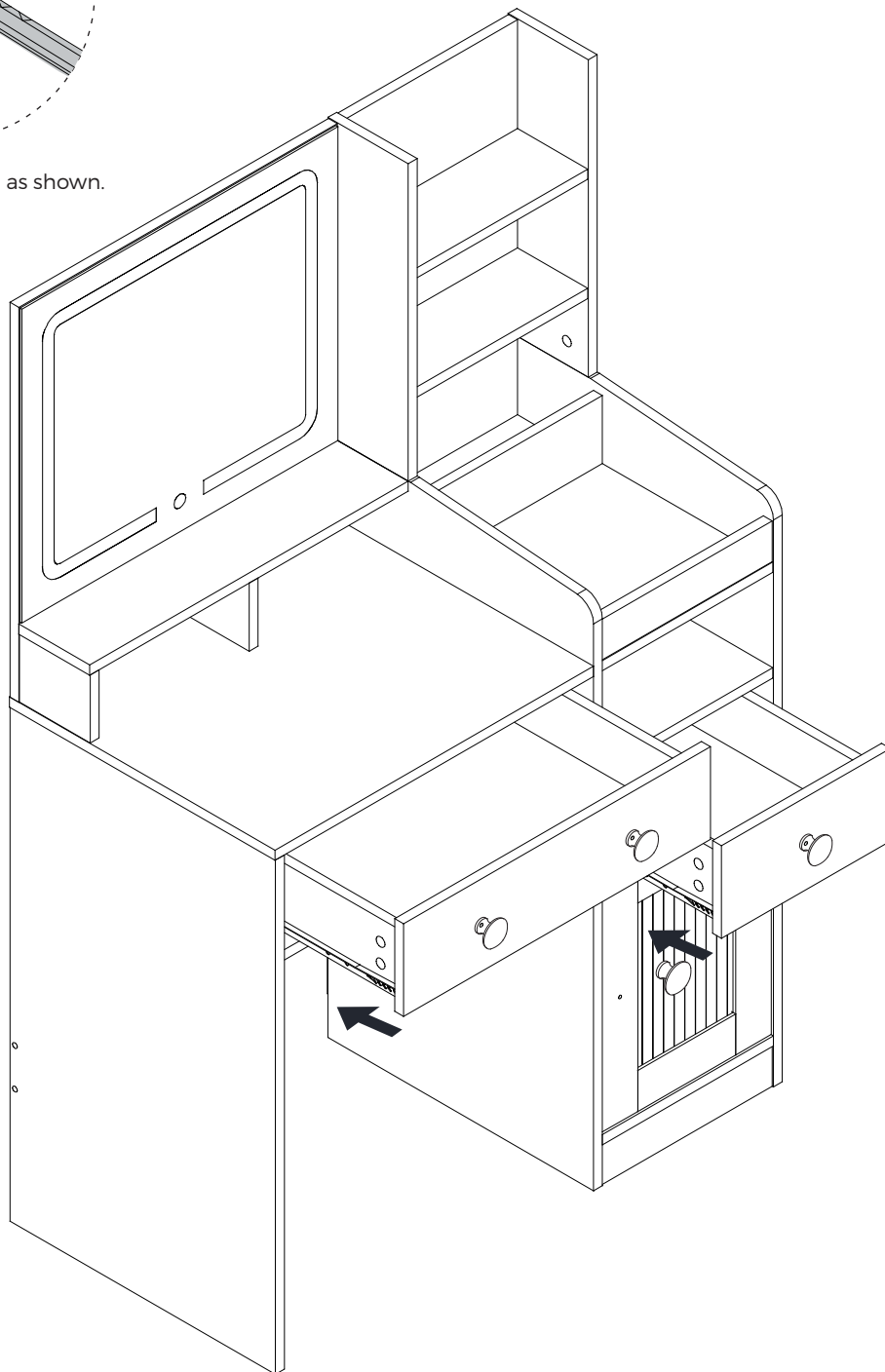
1 set



STEP 18



Slide in the drawers as shown.



STEP 19

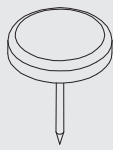
Part B

12pcs
8x40mm



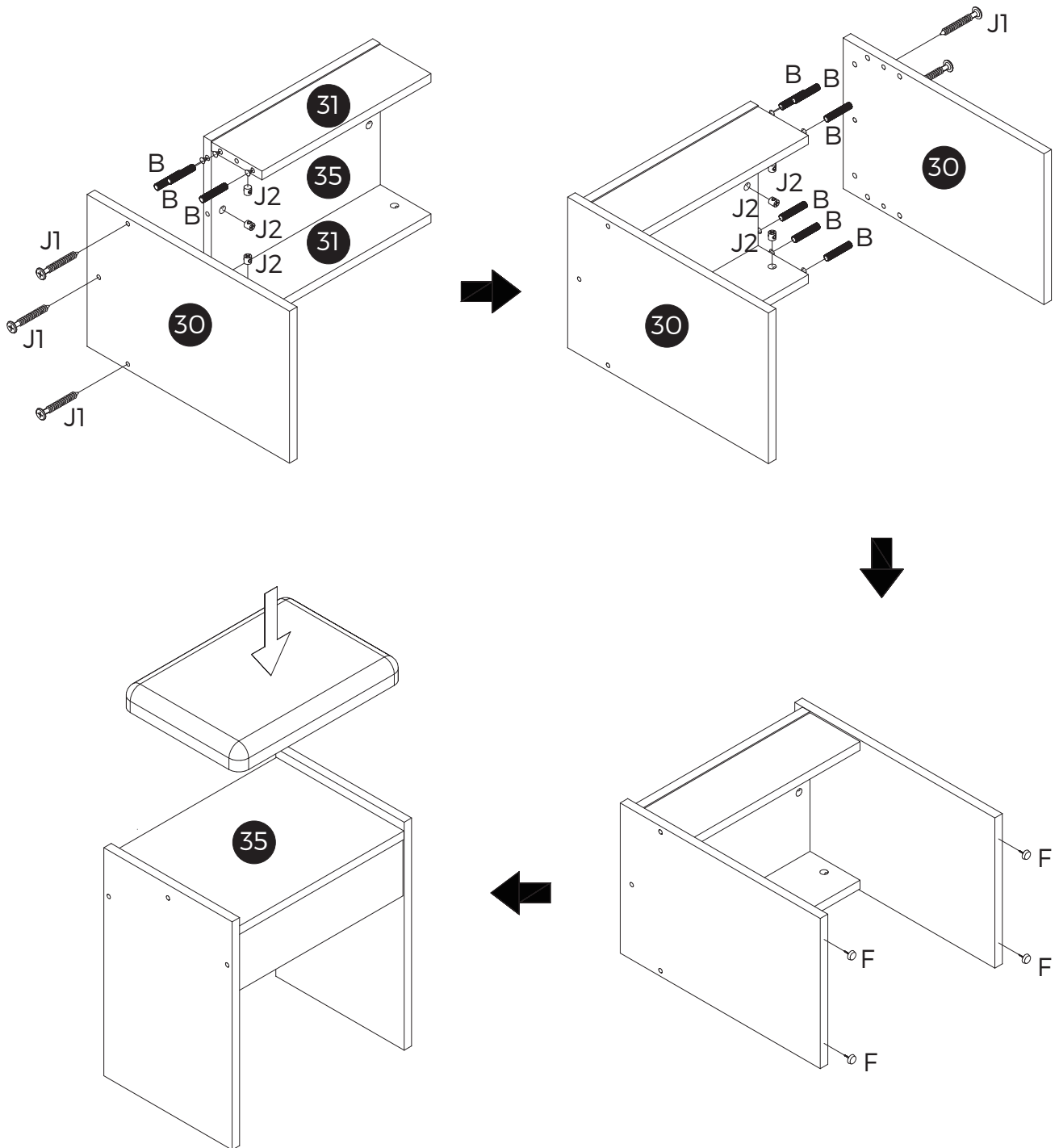
Part F

4pcs



Part J

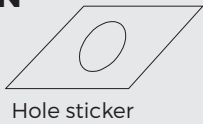
6 sets



STEP 20

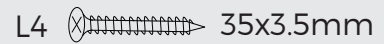
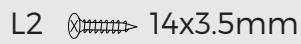
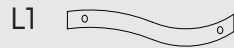
Part N

2pcs



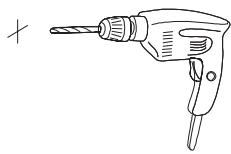
Part L

2sets

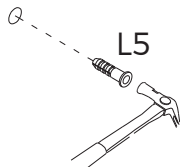


OPTIONAL •

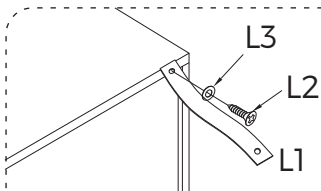
Please do this step only if you wish to secure the product to a wall. We recommend that you do so for safety reasons.



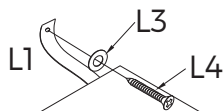
Mark and drill a hole in the wall.



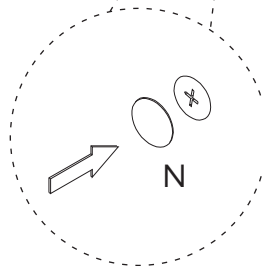
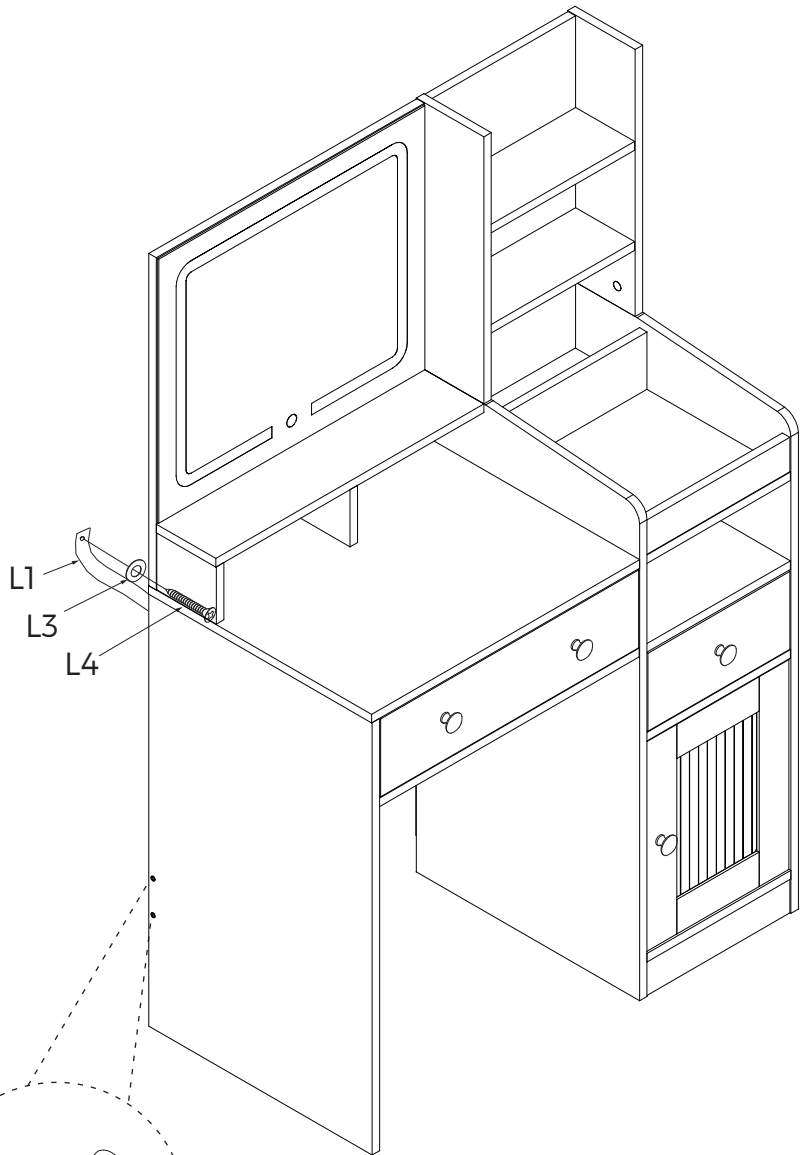
Lightly tap L5 into hole



Attach L1 to back of bedside table with L2 and L3

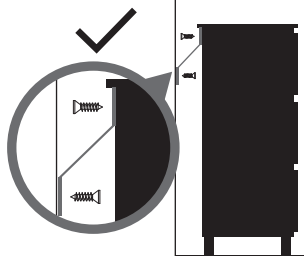


Secure L1 to wall with L3 and L4



Place the stickers N over the screw holes.

WARNING



Children have died from furniture tipover.

- ALWAYS secure it with an anchor device.
- NEVER allow children to stand, climb or hang on drawers, doors, or shelves.
- NEVER open more than one drawer at a time.
- Place heavy items down low.

**NEVER put a TV
on this furniture**



Well done!

**Love our furniture?
Share it!**

Tag us on instagram or facebook

@KampradsOikos1943