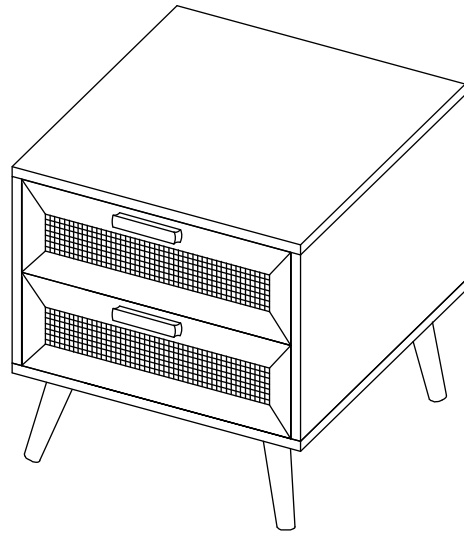


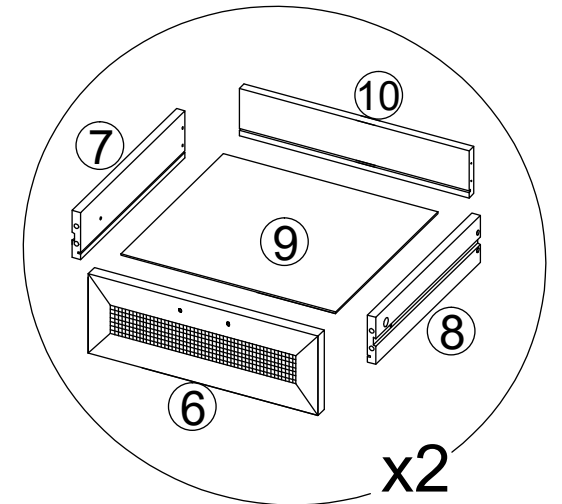
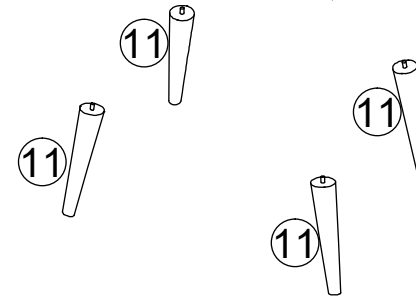
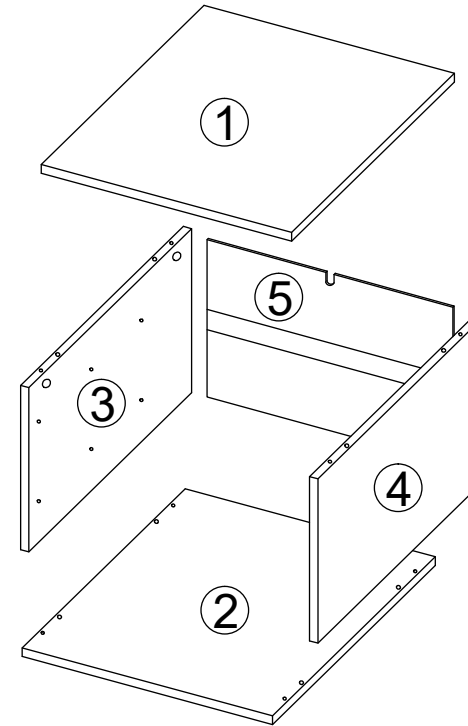
BEDSIDE TABLE

MODEL: BT-A23-RAT-WD



PARTS

Wipe with dry cloths



ASSEMBLY INSTRUCTIONS

Please read instructions carefully before assembly.

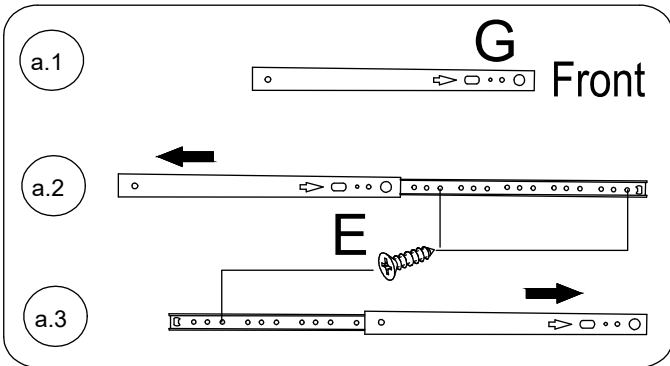
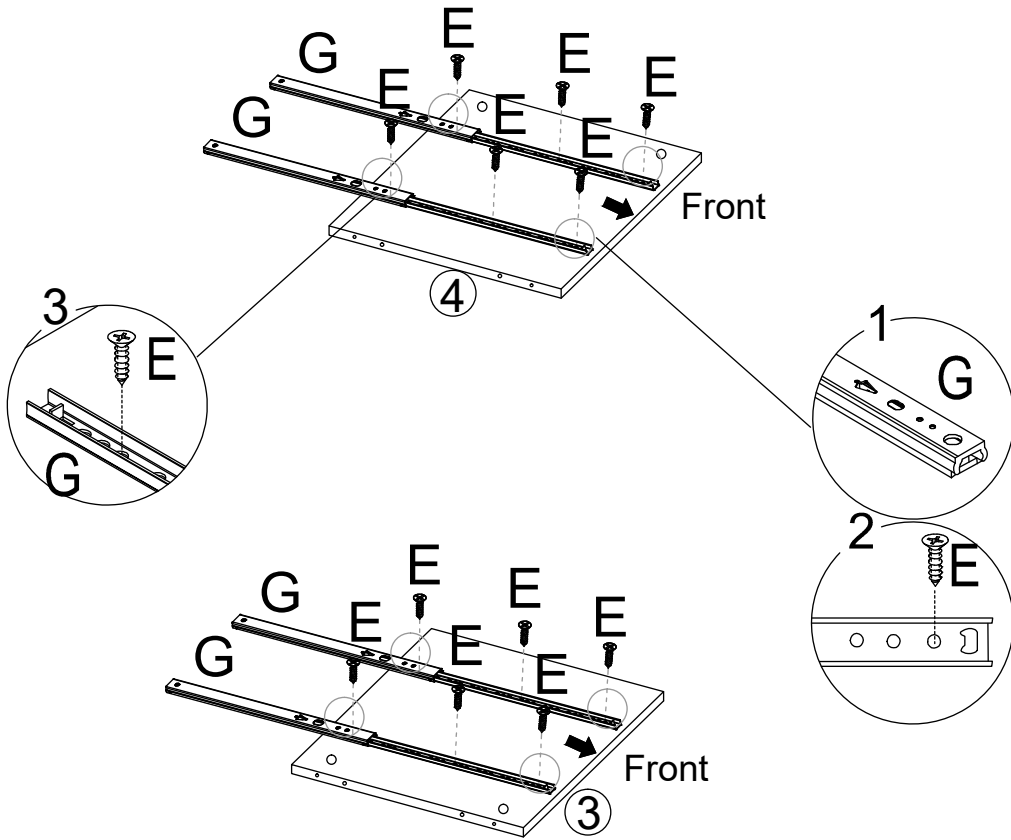




Two persons and tools required for assembly

HARDWARE

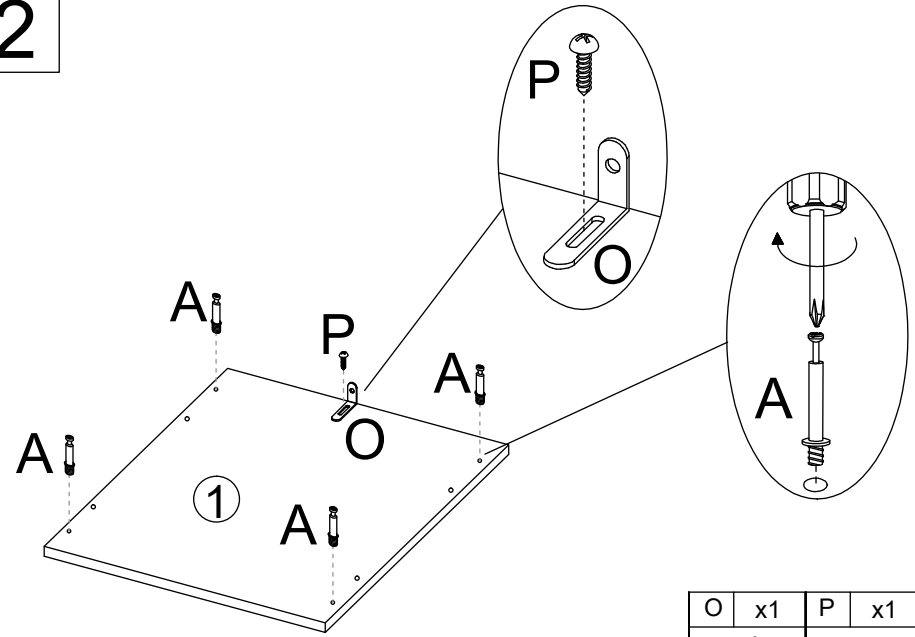
A	x8	B	x4	C	x12	D	X12	E	x12	F	x4
		15x12mm	M4x40mm		M3x12mm	M4x18mm					
G	x4	H	x4	I	x1	J	X14	K	x4	L	x4
		12x10mm	M4x30mm			M4x11mm					
M	x2	N	x1	O	x1	P	x21	Q	x4		
			M4x14mm								




1



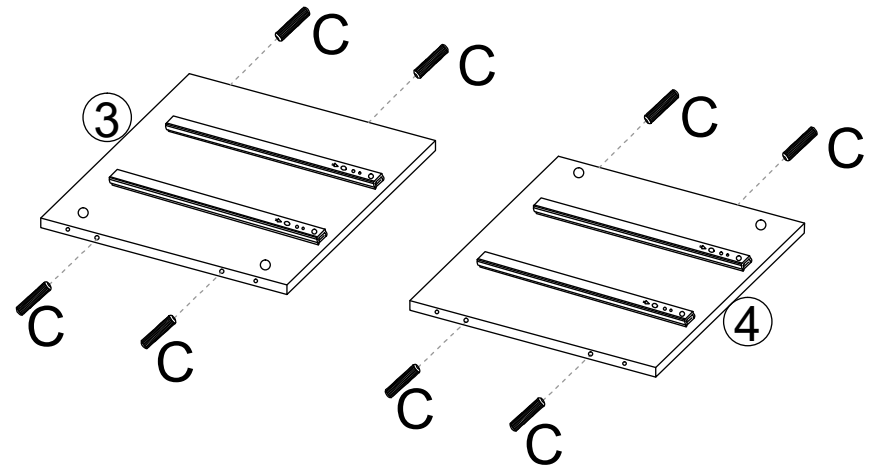
G	x4	E	x12
			
M3x12mm			


2



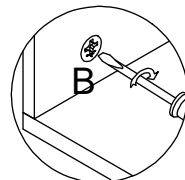
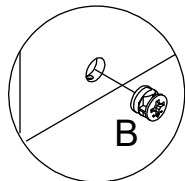
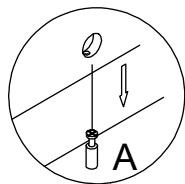
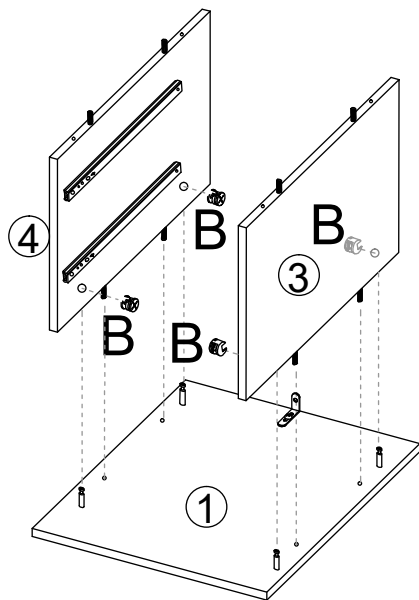
O	x1	P	x1	A	x4
					
M4x14mm					

3



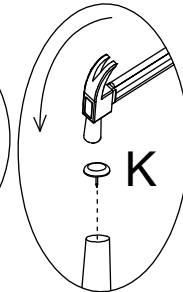
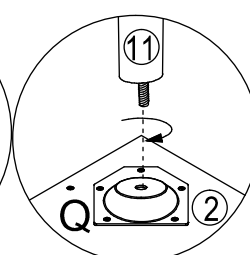
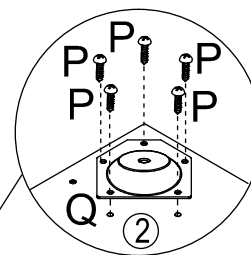
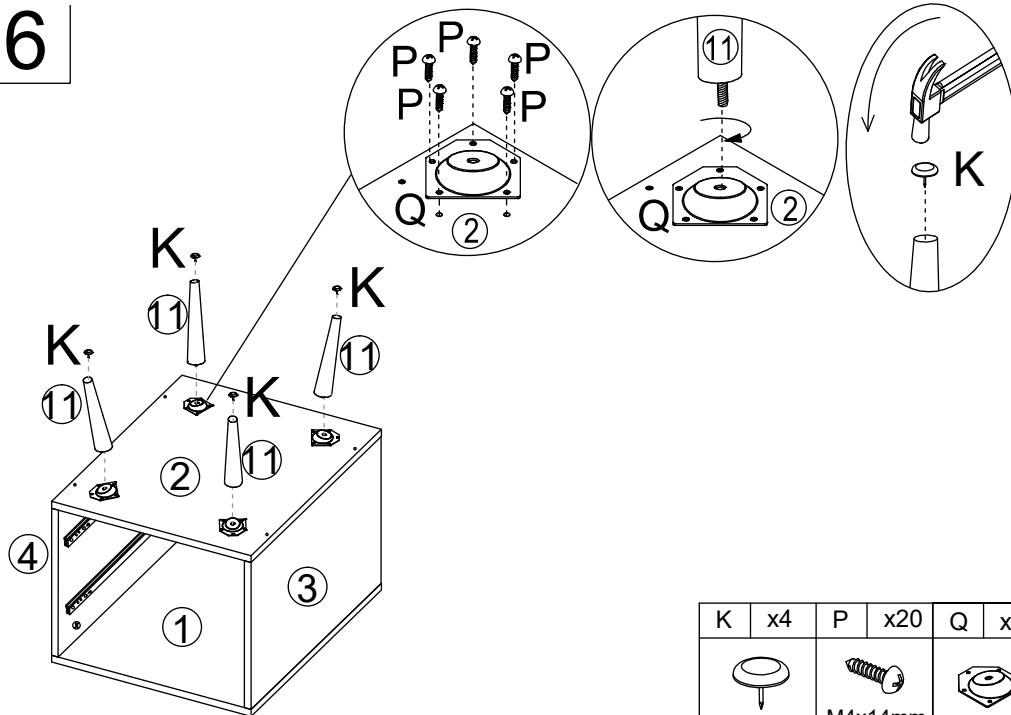
C	X8
	

4



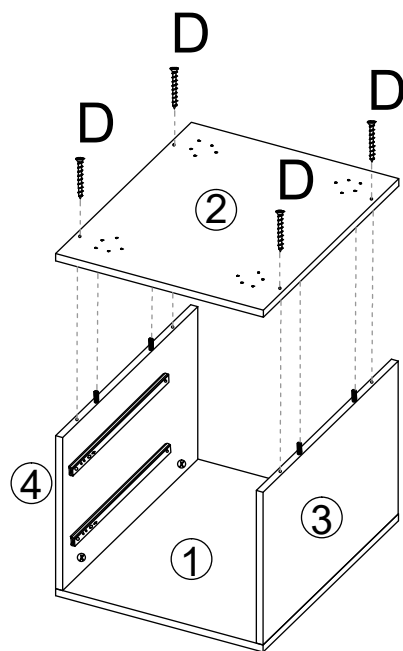
B	x4
 15x12mm	

6



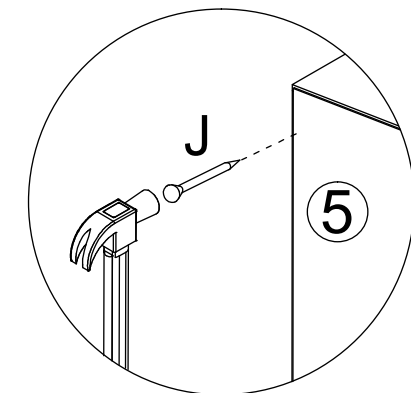
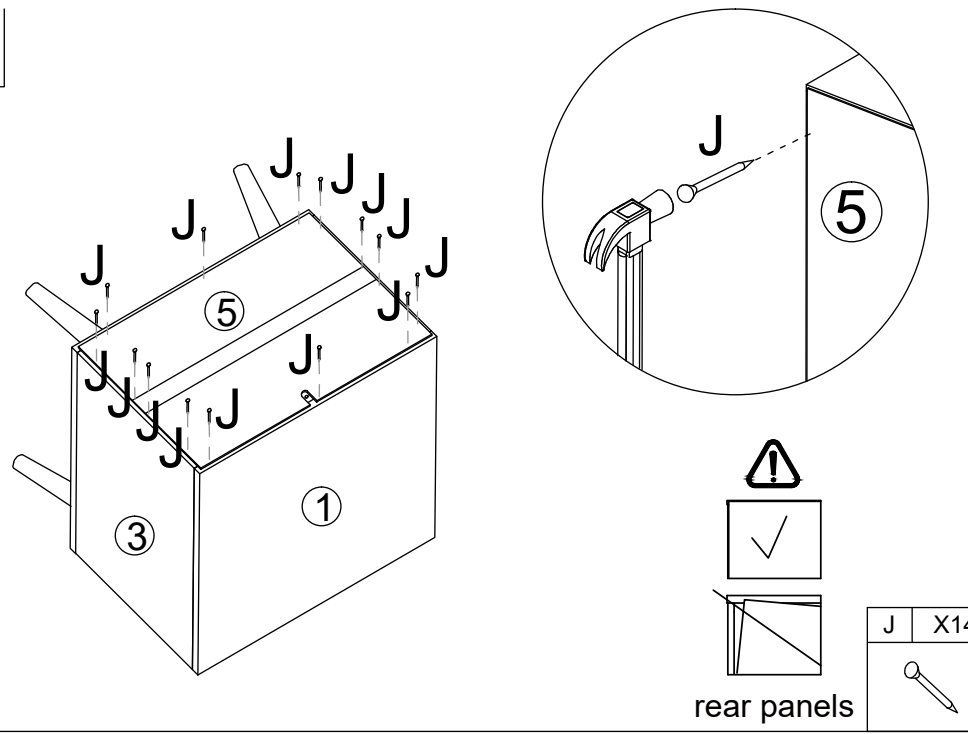
K	x4	P	x20	Q	x4
		 M4x14mm			

5



D	x4
 M4x40mm	

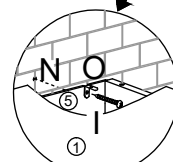
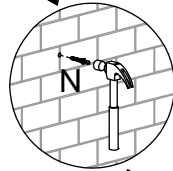
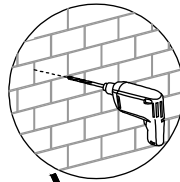
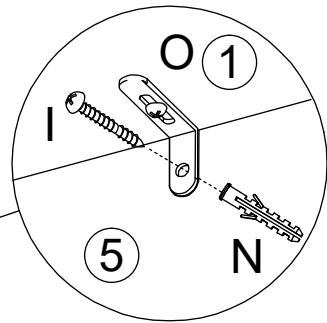
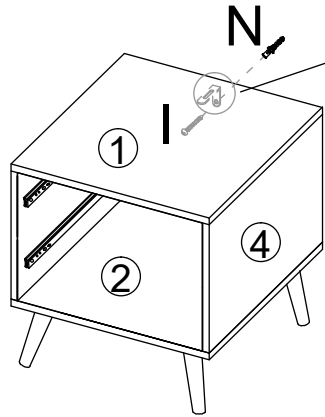
7



rear panels	
J	X14

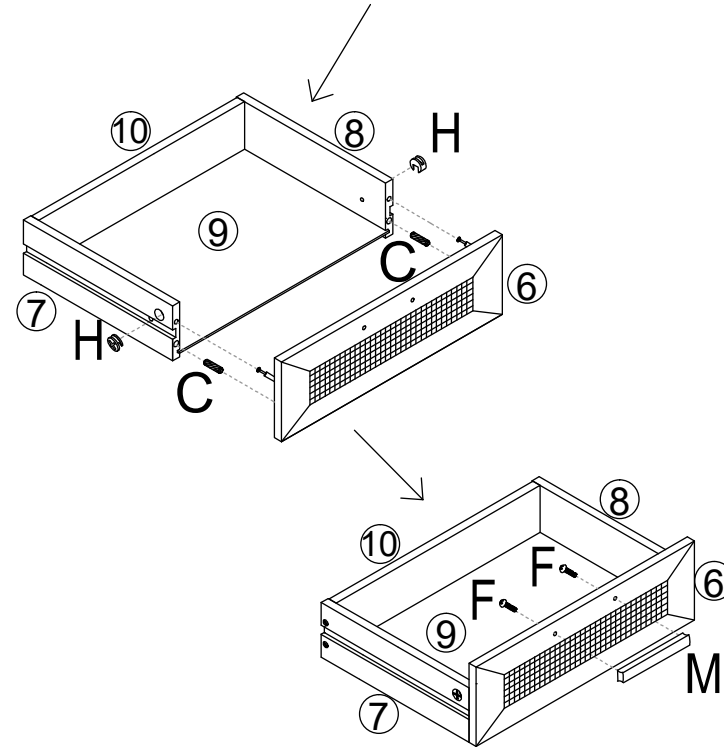
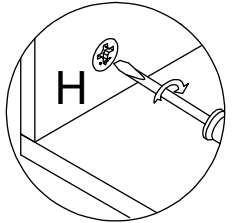
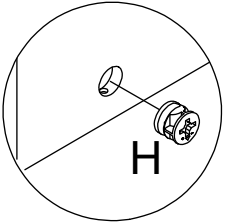
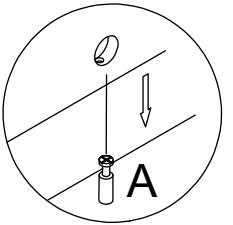
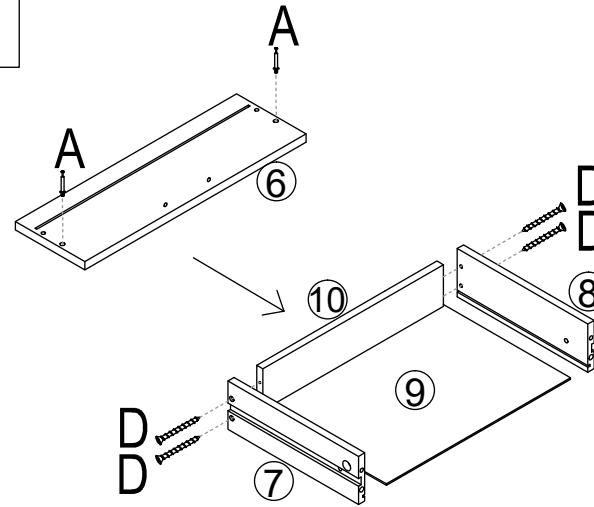
8

Pre-drilled hole at wall

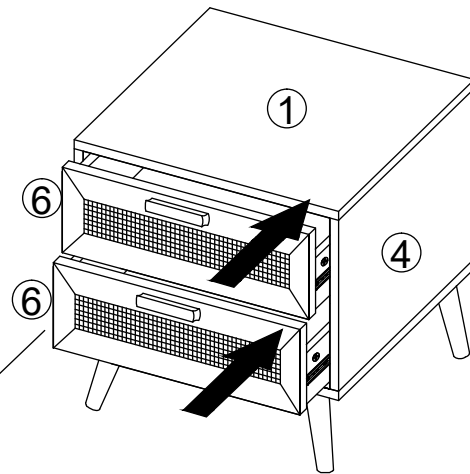
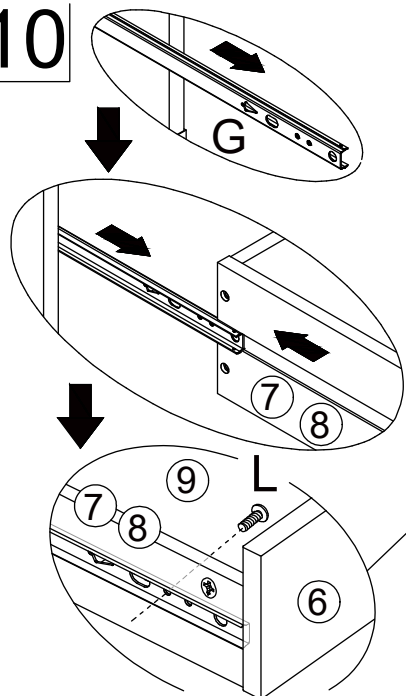


N	x1	I	x1
		M4x30mm	

9



10



L	x4
M4x11mm	

Screw from the inside of the drawers

C	x4	H	x4	A	x4	D	x8	M	x2	F	x4
		12x10mm				M4x40mm				M4x18mm	

x2