

# ASSEMBLY DIAGRAM

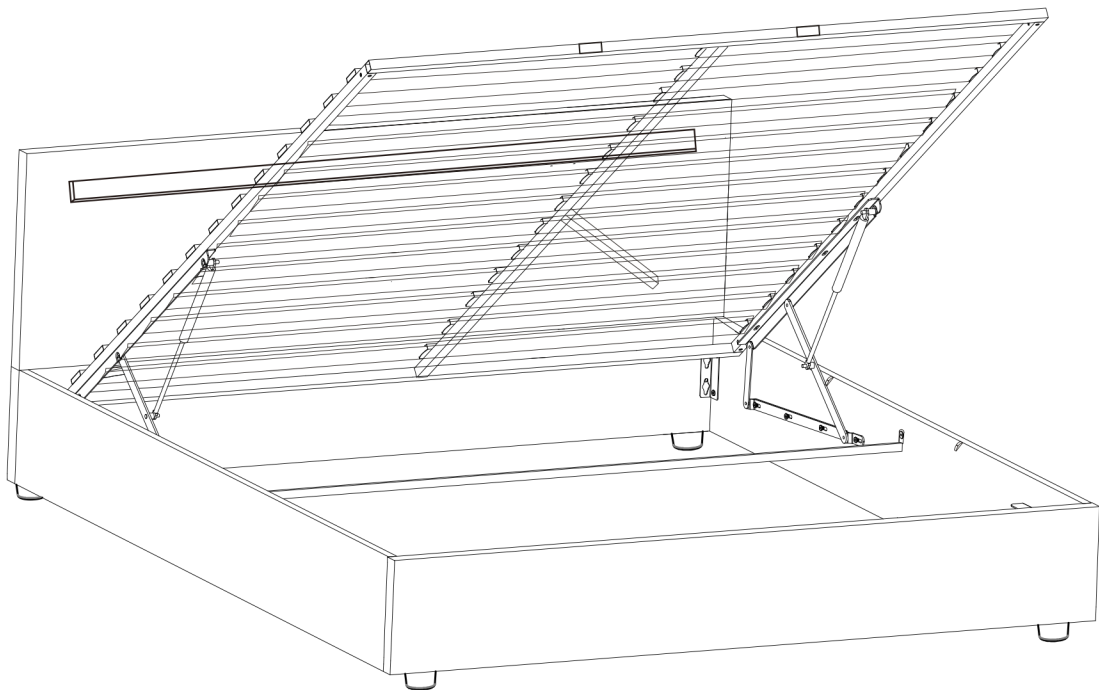
Version 2.0

## MARC BED

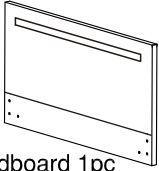
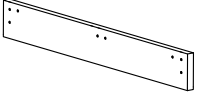
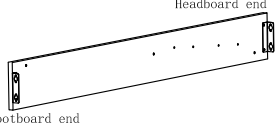
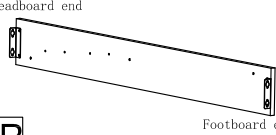
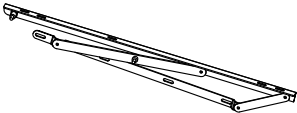
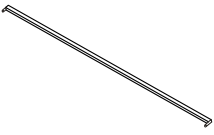
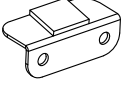
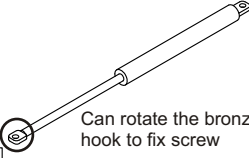
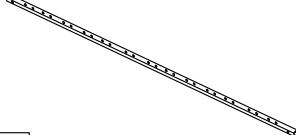


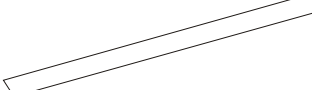



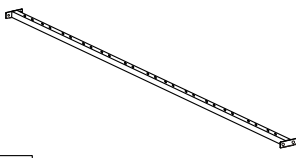
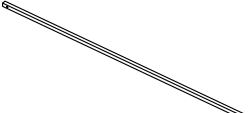

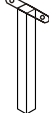
BF-B-MARC-KS&D&Q

### IMPORTANT NOTE:

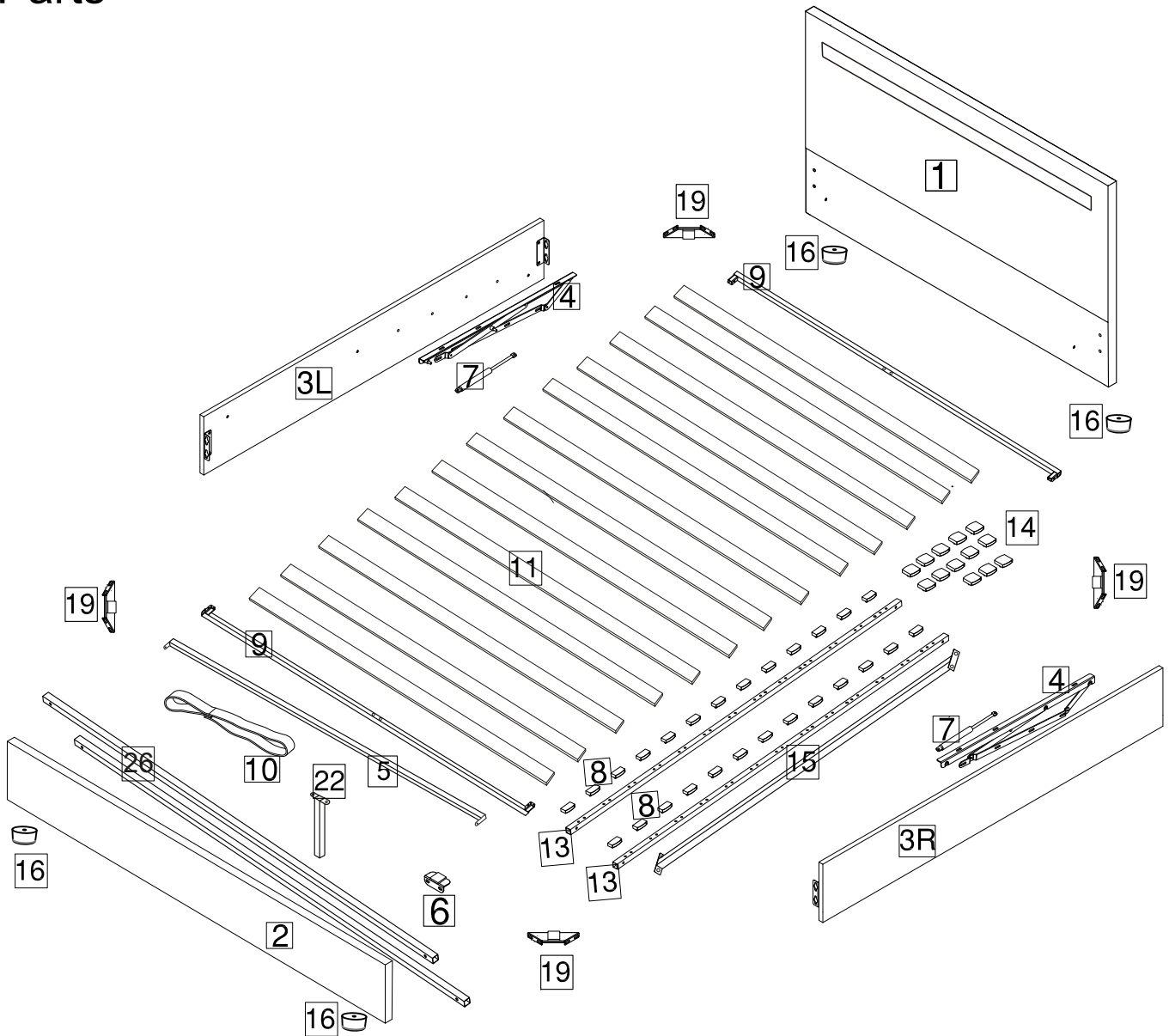
- \*PLACE ALL PARTS ON A CLEAN AND SMOOTH SURFACE SUCH AS A RUG OR CARPET TO AVOID THE PARTS FROM BEING SCRATCHED.
- \*KINDLY FOLLOW THE ASSEMBLY INSTRUCTIONS STEP BY STEP.
- \*DO NOT TIGHTEN ALL SCREWS UNTIL THE BED IS FULLY SET-UP.











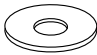




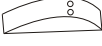
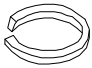
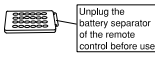

# Parts List

 <p><b>1</b> Headboard 1pc</p>	 <p><b>2</b> Footboard 1pc</p>	 <p><b>3L</b> Side Rail Left 1PC</p>	 <p><b>3R</b> Side Rail Right 1PC</p>
 <p><b>4</b> Hinge 2pcs</p>	 <p><b>5</b> Cross bar 1pc</p>	 <p><b>6</b> Angle Iron 1pc</p>	 <p><b>7</b> Gas Strut 2pcs Can rotate the bronze hook to fix screw</p>
 <p><b>13</b> Bedstead Side Pipe 2pcs</p>	 <p><b>9</b> Front And Rear Frameworks 2pcs</p>	 <p><b>10</b> Rope 1pc</p>	 <p><b>11</b> Slats 13pcs</p>
 <p><b>16</b> Leg 4pcs</p>	 <p><b>8</b> Plastic Slat Caps 26pcs</p>	 <p><b>14</b> Centre Slat Caps 13pcs</p>	 <p><b>15</b> Reinforced Pipe 1pc</p>
 <p><b>26</b> Connect bar 2pcs</p>	 <p><b>19</b> Metal Corner Bracket 4pcs</p>	 <p><b>22</b> Centre Support Leg 1pc</p>	

# Parts



# Fittings

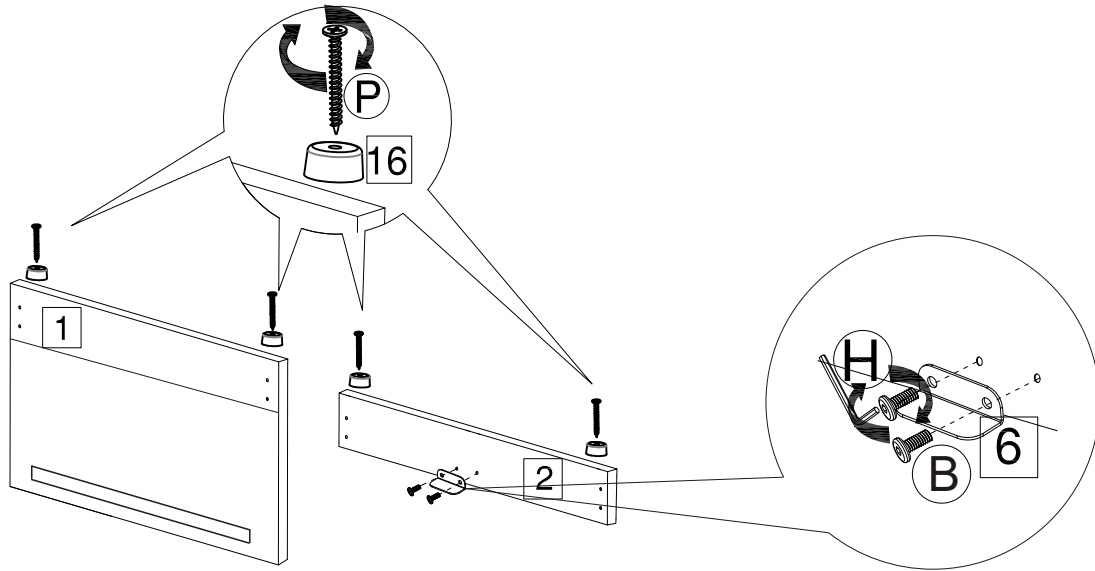
 <b>(A)</b> M8X40mm Bolt 16 pcs	 <b>(B)</b> M8X30mm Bolt 10 pcs	 <b>(C)</b> M8X16mm Bolt 4 pcs	 <b>(D)</b> Plastic washer 8 pcs	 <b>(E)</b> M6X16mm Bolt 10 pcs	 <b>(F)</b> M8 nuts 12 pcs
 <b>(G)</b> Spanner 1 pc	 <b>(H)</b> M8 Allen Key 1 pc	 <b>(L)</b> Flat Washer 8 pcs	 <b>(P)</b> 4.0X50mm Screw 4 pcs	 <b>(W)</b> M6 Allen Key 1 pc	 <b>(Y)</b> M8X65mm Bolt 4 pcs
 <b>(Q)</b> 3.0X16mm Screw 8 pcs	 <b>(O)</b> Plastic Spacer 4 pcs	 <b>(M)</b> Spring washer 8 pcs	 <b>(K)</b> Remote Control 1PC <small>Unplug the battery separator of the remote control before use</small>	 <b>(N)</b> LED Power Transformer 1PC	

Please refer to the instruction words before installing it.

## Step 1:

- Ⓟ 4PCS
- Ⓟ 2PCS
- Ⓜ 1PC

Attach the bed leg (16) to the headboard (1) and footboard (2) with screws (P), then attach the Angle iron (6) to the footboard (2) with the M8 bolt (B).



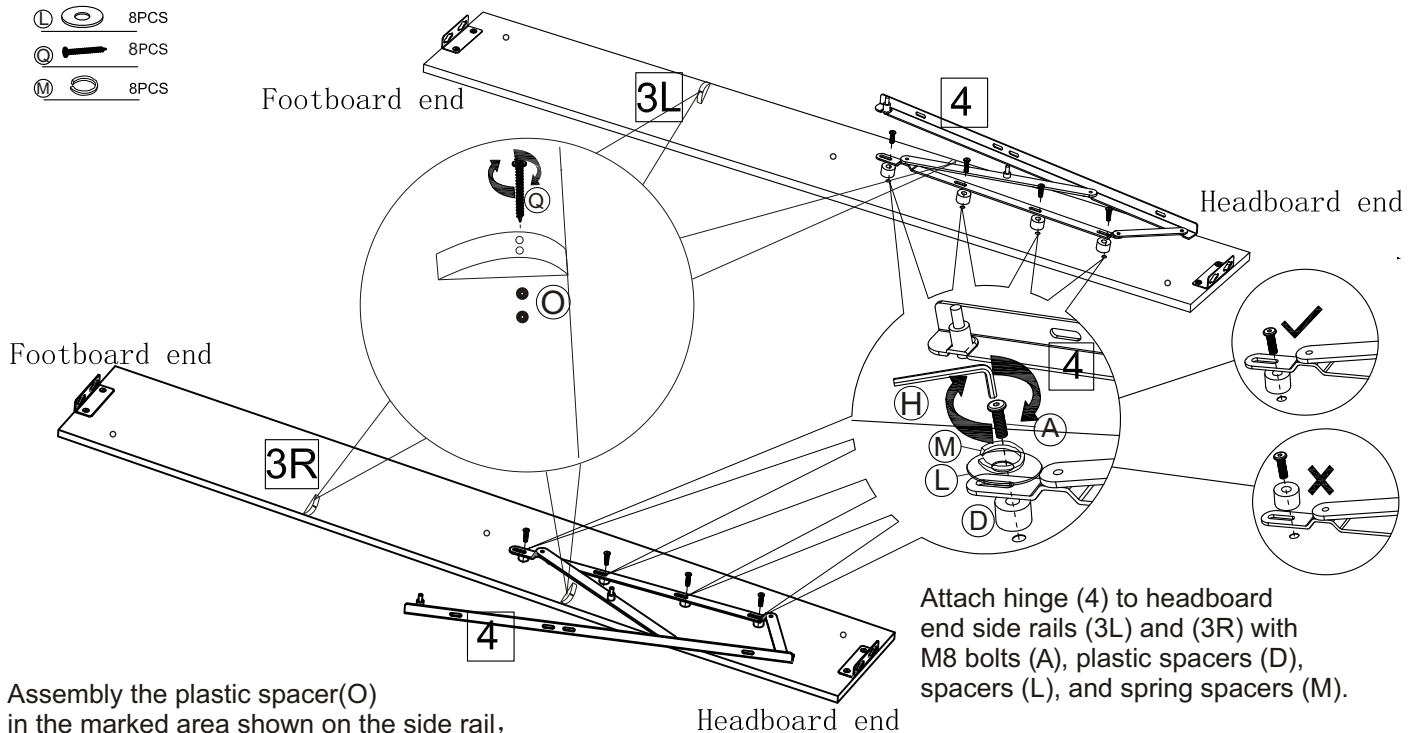
## Step 2:

- Ⓞ 4PCS
- Ⓜ 8PCS
- Ⓧ 8PCS
- Ⓜ 1PC
- Ⓦ 8PCS
- Ⓨ 8PCS
- Ⓩ 8PCS

Footboard end

Footboard end

Headboard end



Assemble the plastic spacer(O) in the marked area shown on the side rail, Make sure edge of part O are align with sideboard part 3.

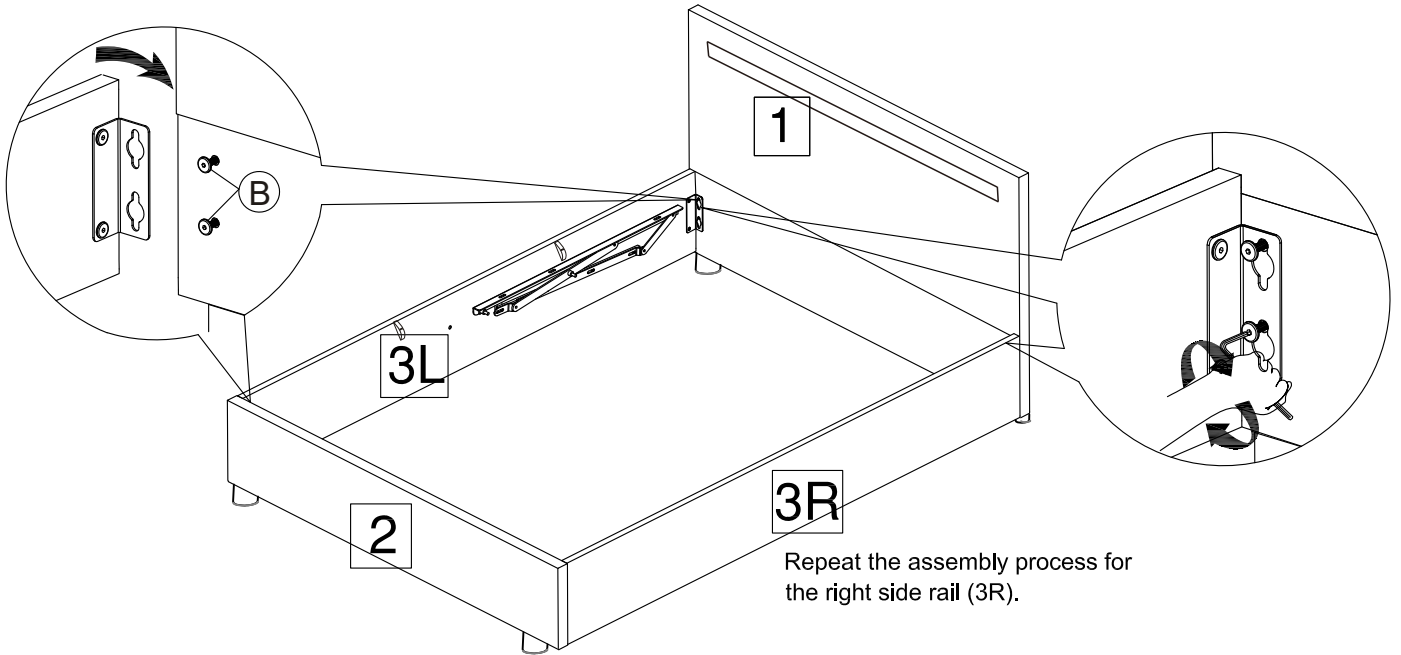
Attach hinge (4) to headboard end side rails (3L) and (3R) with M8 bolts (A), plastic spacers (D), spacers (L), and spring spacers (M).

### Step 3:

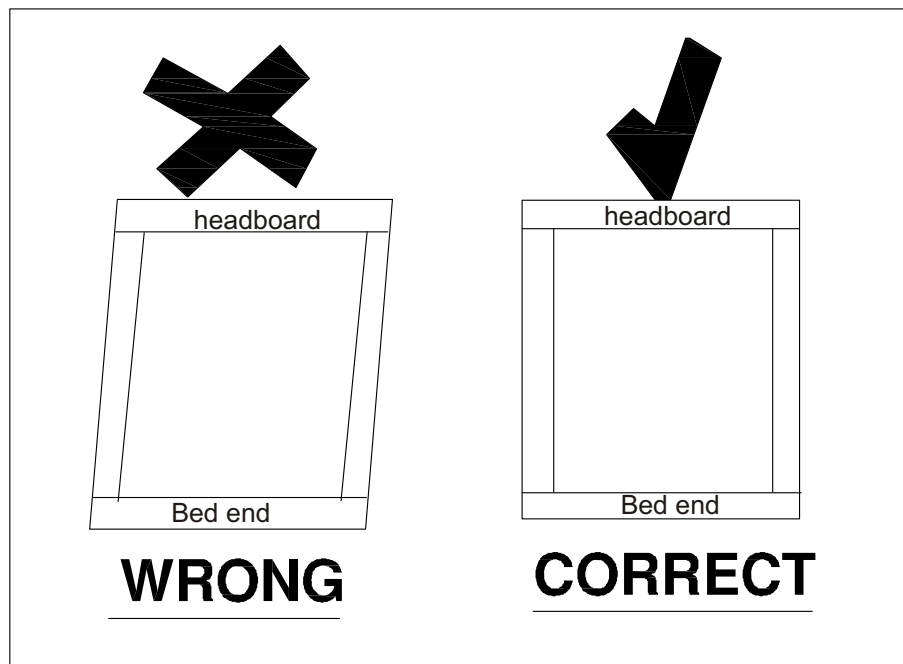
Ⓑ 8PCS

Ⓕ 1PC

Attach side rail assembly (3L,3R)  
to headboard (1) and footboard (2) with M8 Bolt (B).



Ensure that the entire bed frame assembly is a regular rectangle as shown below.



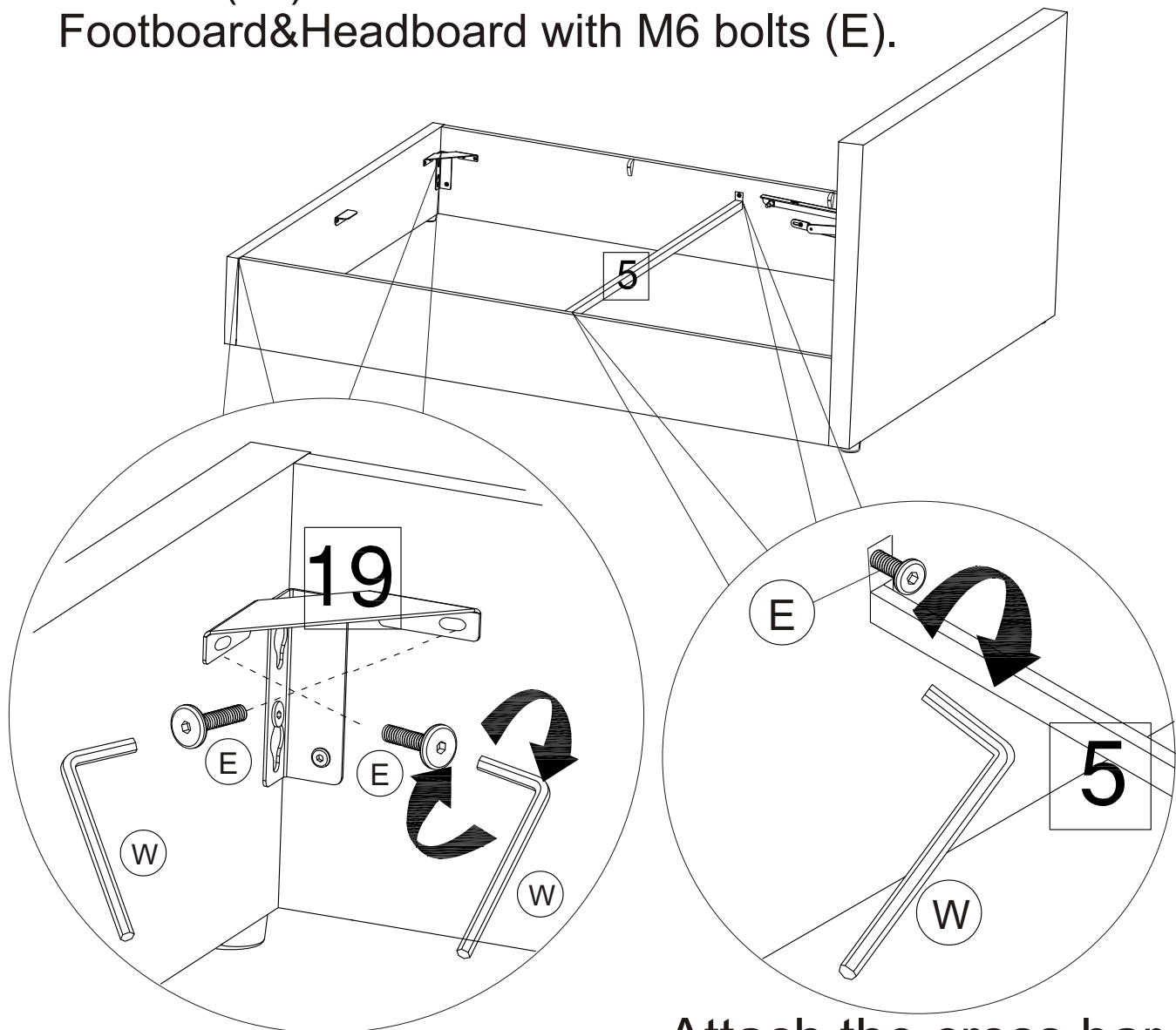
\* gas lift mechanism will be affected if the bed frame is out of shape.

## Step 4:

Ⓔ 10 PCS






⒲ 1 PC

Connect metal corner bracket (19) to side rail and Footboard&Headboard with M6 bolts (E).



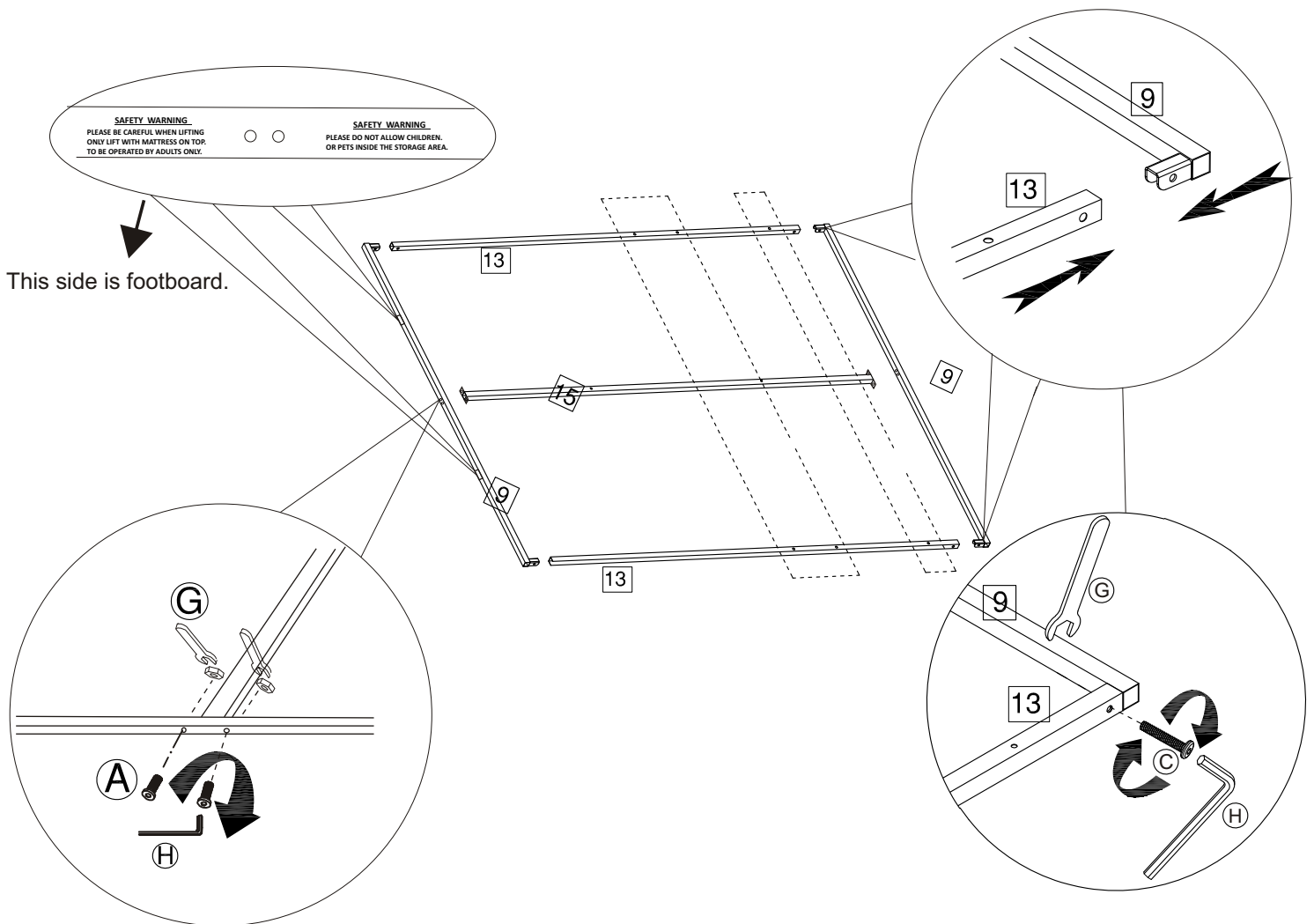
Attach the cross bar (5) to the bed frame with M6 bolts (E).

## Step 5:

- (A)  4PCS
- (F)  4PCS
- (G)  1PC
- (H)  1PC
- (C)  4PCS

The bottom view ensures that the holes in the dashed box are aligned.






Ensure that the holes are aligned when joining 13 and 9.

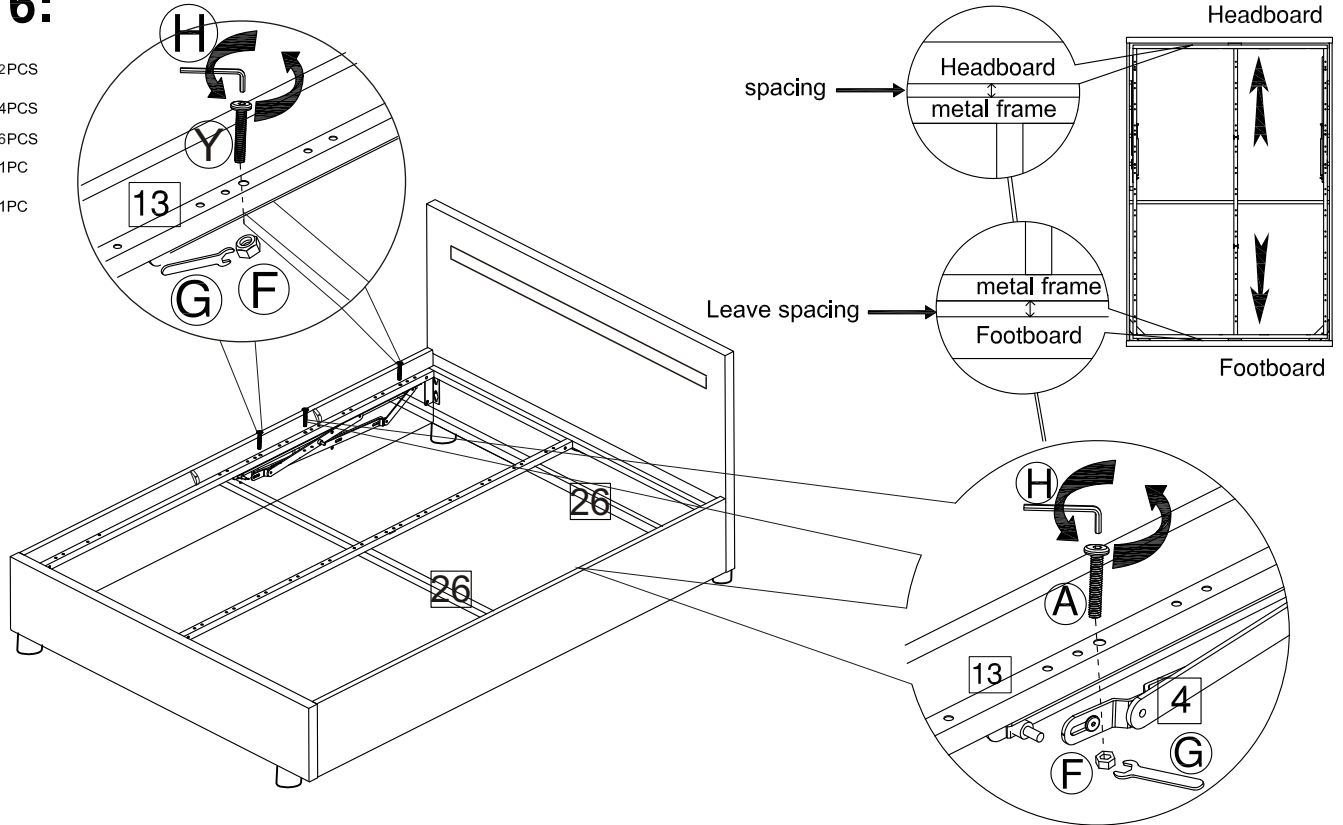


Assemble the interior framework (15 and 9) as shown with M8 bolts (A).

Assemble the interior framework (13 and 9) as shown with M8 bolts (C).

## Step 6:





-  2PCS
-  4PCS
-  6PCS
-  1PC
-  1PC



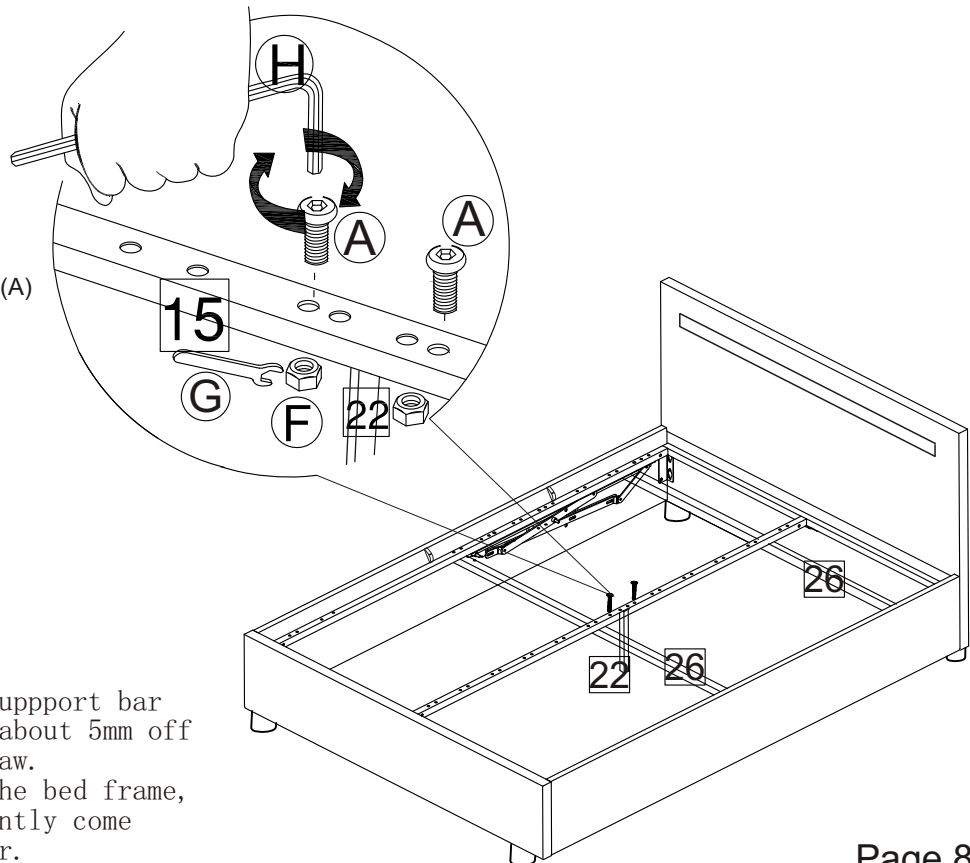
Attach the connect bar (26) to the side pipe (13) with M8 bolts (Y) and M8 nuts (F) as shown.

First, use the M8 bolts (A) and M8 nuts (F) to connect the side pipe (13) to the hinge (4). At this stage, do not fully tighten the M8 bolts (A) to allow for some adjustment between the headboard, footboard and metal frames. There should be some spacing between the headboard, footboard and the metal frames. Once every part is aligned, fully tighten all M8 bolts (A).

## Step 7:

-  2PCS
-  2PCS
-  1PC
-  1PC

Attach the centre support legs (22) to the central pipe (15) with M8 bolts (A) and M8 nuts (F) as shown.



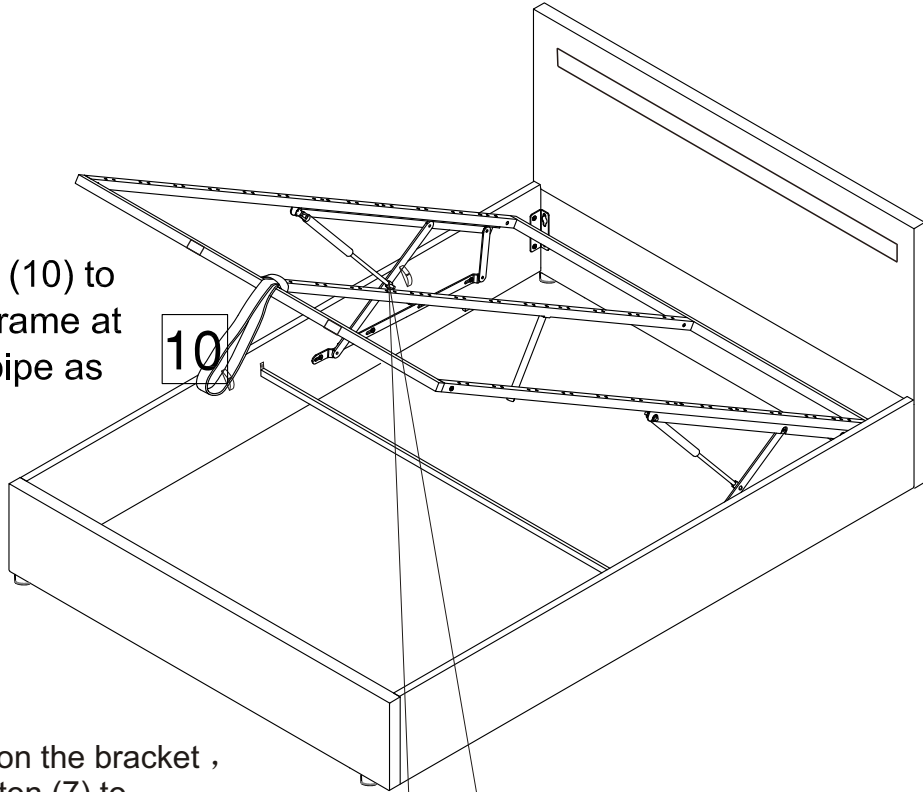
### ATTENTION

When attached to central support bar, the support legs will be about 5mm off the floor. This is not a flaw. When weight is placed on the bed frame, the supports will consequently come into contact with the floor.

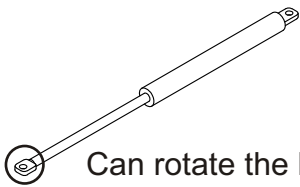
# Step 8:

10  1PC

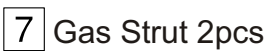
Tie the rope (10) to the interior frame at the central pipe as shown.

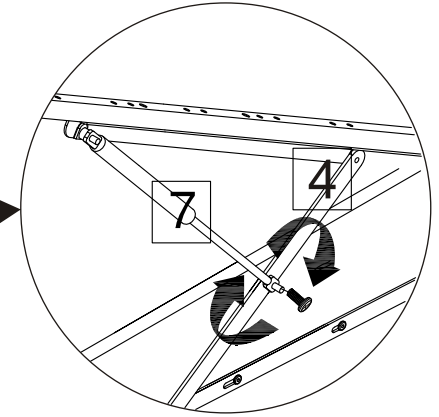
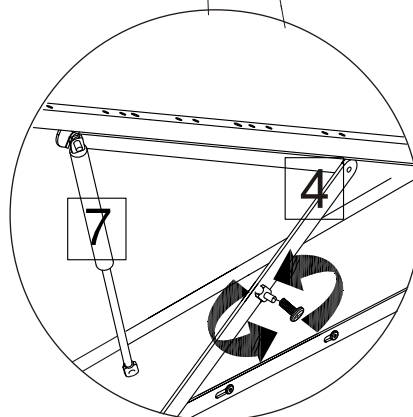


Loosen the screw on the bracket, then attach the piston (7) to the hinge (4) with screw driver.

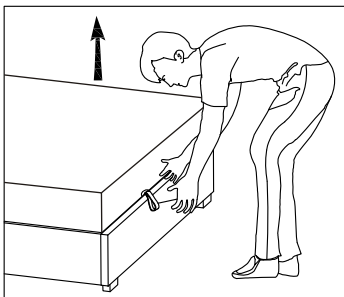


Can rotate the bronze hook to fix screw

7  2pcs

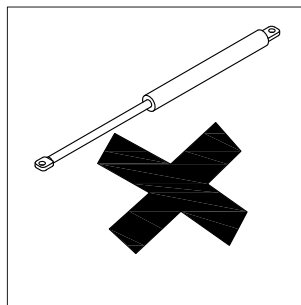


## LIFTING THE BED FRAME



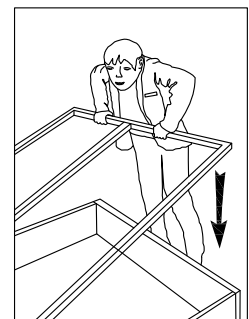
Pull the rope with both hands to lift the bed frame.

Please have your mattress on the bed frame which will help you easily pull and press the metal base.



Do not test gas struts by hands, please have them assembled to the metal frame then pull and press the metal base.

## LOWERING THE BED FRAME

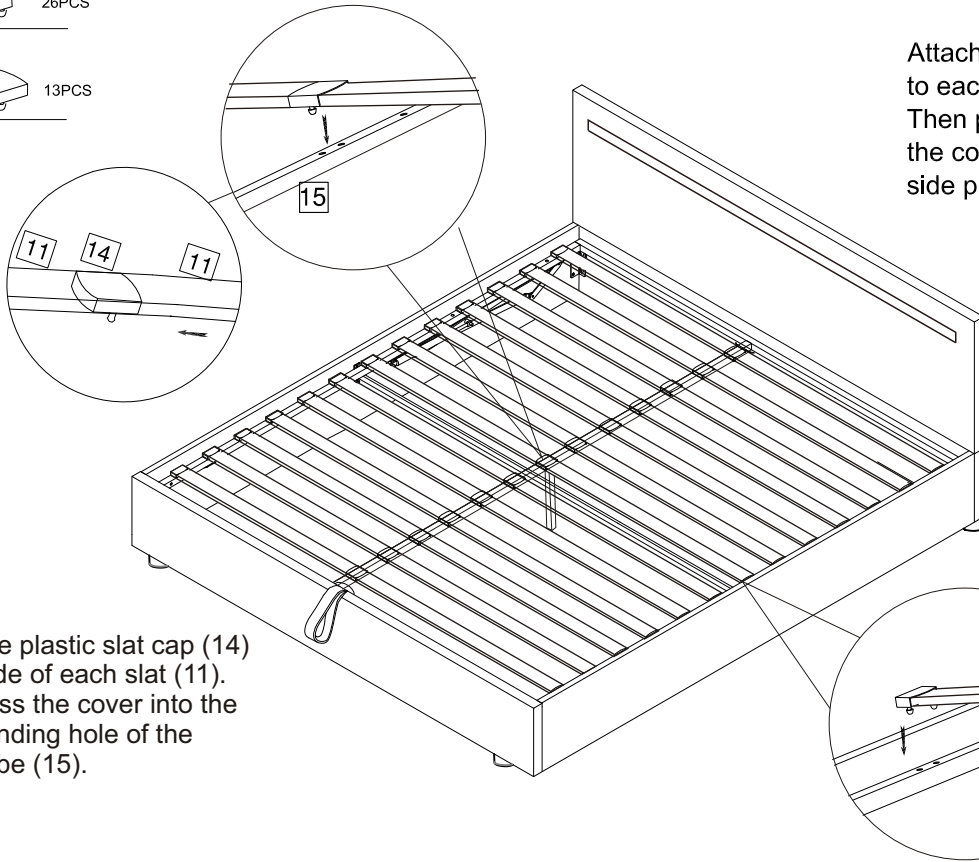


To lower the bed frame, press it down with both hands as shown.

## Step 9:

8 26PCS

14 13PCS



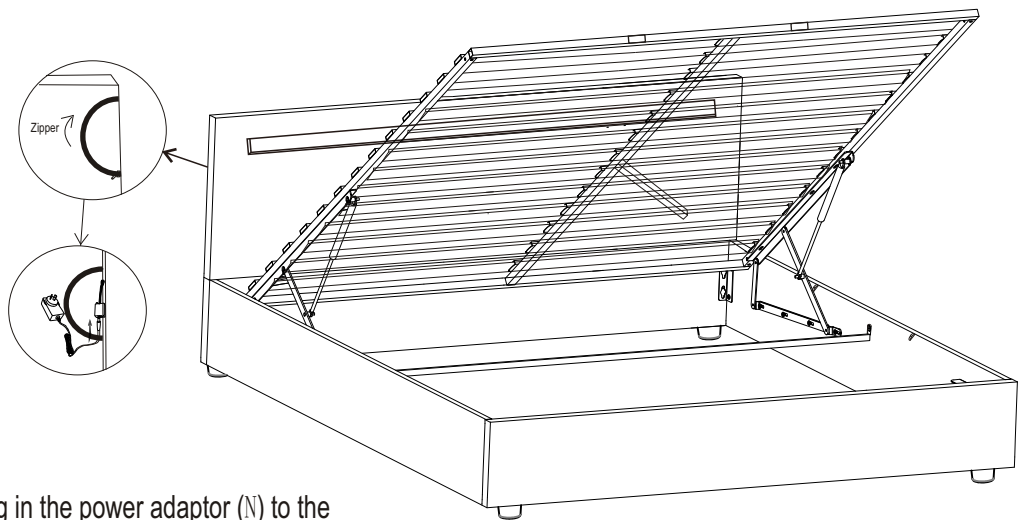
Attach the plastic slat caps ( 8 ) to each slat ( 11 ) at the side. Then press down the caps into the corresponding holes on the side pipes ( 13 ) as shown.

Attach the plastic slat cap ( 14 ) to the side of each slat ( 11 ). Then press the cover into the corresponding hole of the center tube ( 15 ).

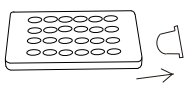
## Step 10:

K Unplug the battery separator of the remote control before use

N



Plug in the power adaptor (N) to the controller as shown.



Unplug the battery separator of the remote control before use

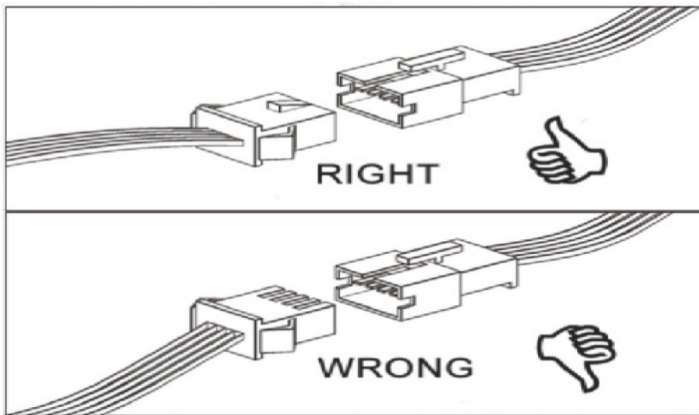
### ⚠ WARNING

THIS PRODUCT CONTAINS A BUTON BATTERY  
 If swallowed, a lithium button battery can cause severe or fatal injuries within 2 hours.  
 Keep batteries out of reach of children.  
 If you think batteries may have been swallowed or placed inside any part of the body, seek immediate medical attention.

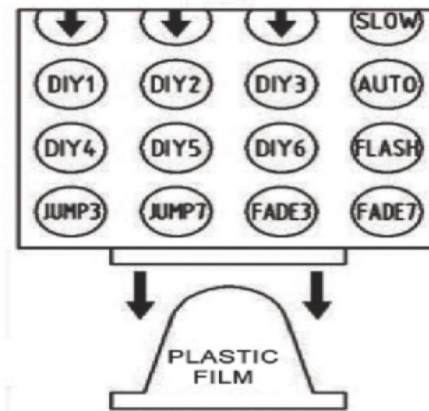
# LED LIGHTS TROUBLESHOOTING

If the LED lights are not working successfully, please check the following:

1. Check the facing of the connectors and ensure that they are as shown in the illustration.
2. Check the remote controller. Remove the plastic film before use.
3. Make sure that the remote controller is within the range of the receiver, and that the transmission signal is not obstructed.



Check the facing of the connectors and ensure that they are aligned correctly.



Remove the plastic film from the remote controller.

# REMOTE CONTROLLER OPERATING INSTRUCTIONS

## SPECIFICATIONS

Working temperature:

-20° to 60°C

Product dimensions:

62mm (L) x 35mm (W) x 23mm (H)

Net weight:

50g

Output:

Three CMOS drain-open output

Maximum load current:

2A per colour

Supply voltage:

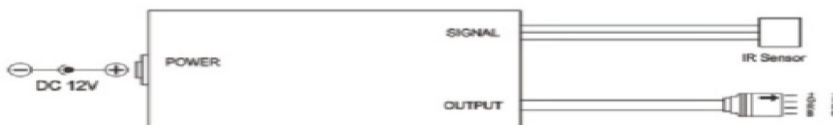
DC12V

## CONTROL

The function of each button on the remote controller are as shown in the table below:

Brightness + (speed up)	Brightness + (speed down)	Off	On
Static red	Static green	Static blue	Static white
Static orange	Static pea green	Static dark blue	7-colour jump change
Static dark yellow	Static cyan	Static brown	All fade out and fade in
Static yellow	Static light blue	Static pink	7-colour fade change
Static straw yellow	Static sky blue	Static purple	3-base colour jump

## CIRCUIT DIAGRAM



## WARNINGS

1. The supply voltage of the product is DC12V. Never connect to DC24V or AC220V.
2. Never connect two wires directly to prevent a short circuit.
3. Ensure that the wire connections are connected correctly as per the circuit diagram above.
4. This product as a one-year warranty against manufacturing defects but not for damages due to incorrect use or current overload.

## ATTENTION

This product contains a button battery.

If swallowed, a lithium button battery can cause severe or fatal injuries within two hours.

Keep battery out of reach of children.

If you think the battery may have been swallowed or placed inside any part of the body, seek medical attention immediately.