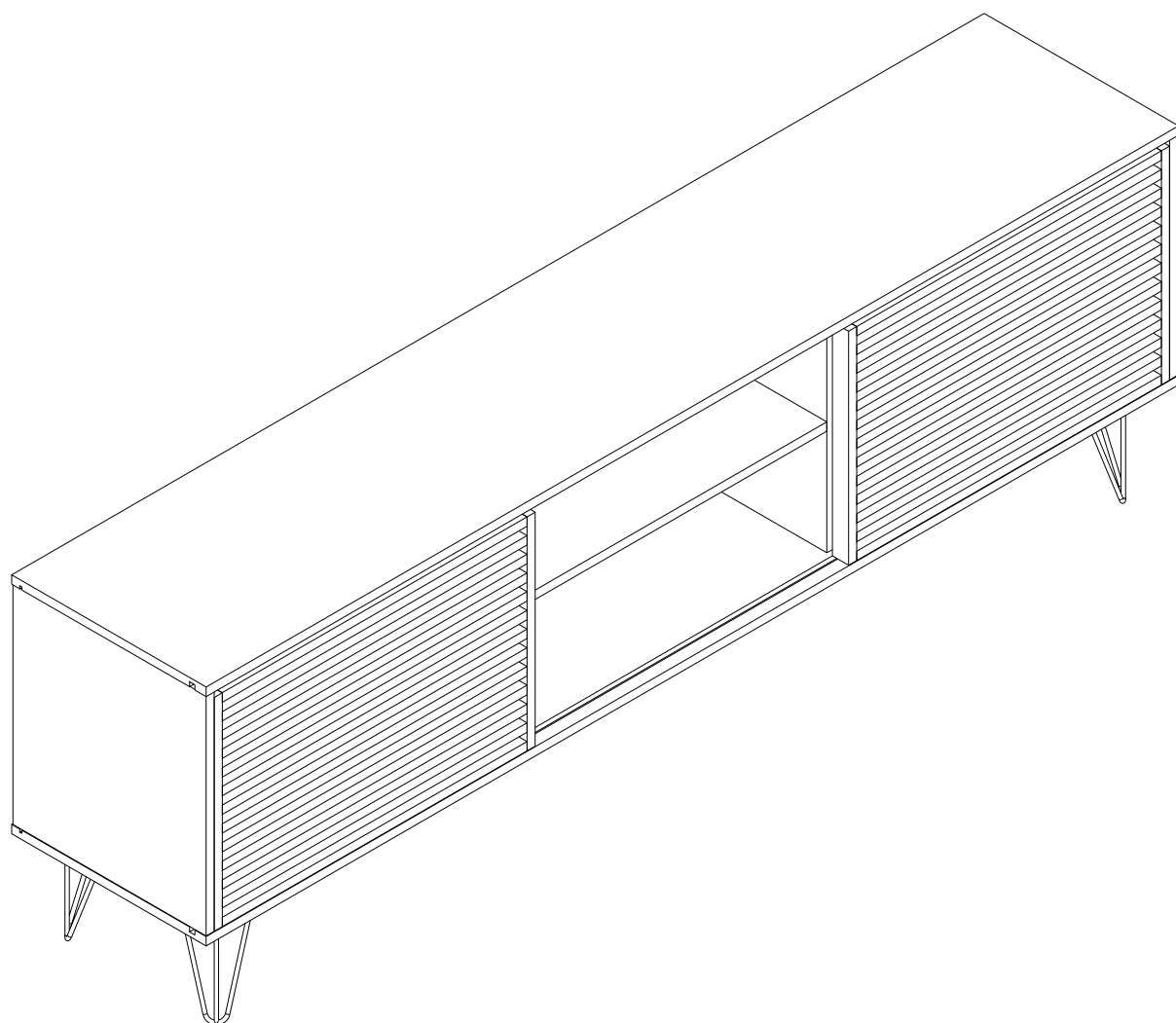




ENTERTAINMENT UNIT

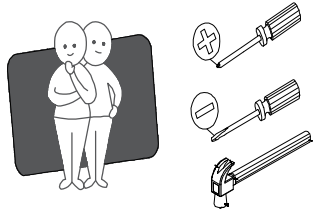
Model: EU-VJ-WIRE-180

Version: 1.0



ASSEMBLY INSTRUCTION

KIND REMINDER



Two persons and tools required for assembly

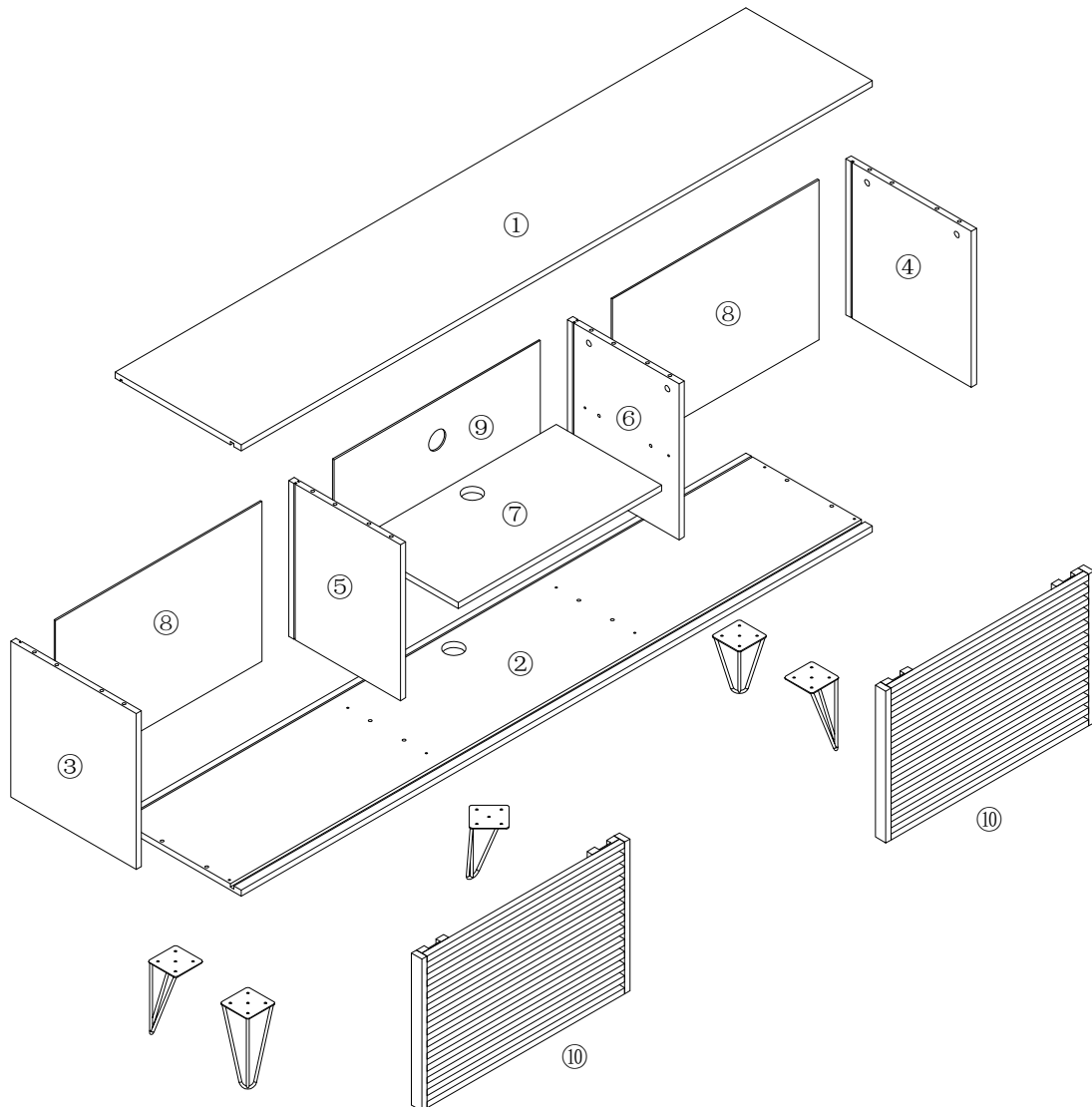


Wipe with dry cloths

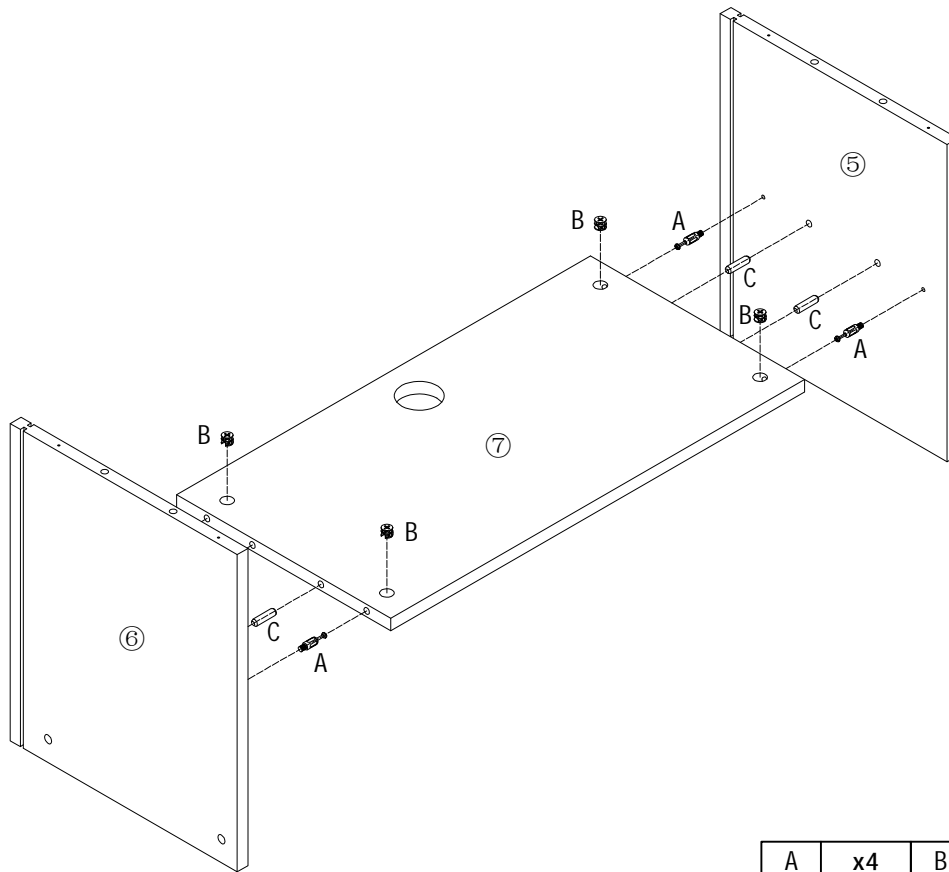
HARDWARE




A	x12	B	x12	C	x20
M6*35mm		φ15*12mm		φ8*30mm	
D	x8	E	x4	F	x4
φ4*35mm					
G	x32	H	x2	I	x5
φ3.5*12mm				H=185mm	
J	x2	K	x12	L	x20
φ50mm				M6*10mm	
M	x1				

PARTS

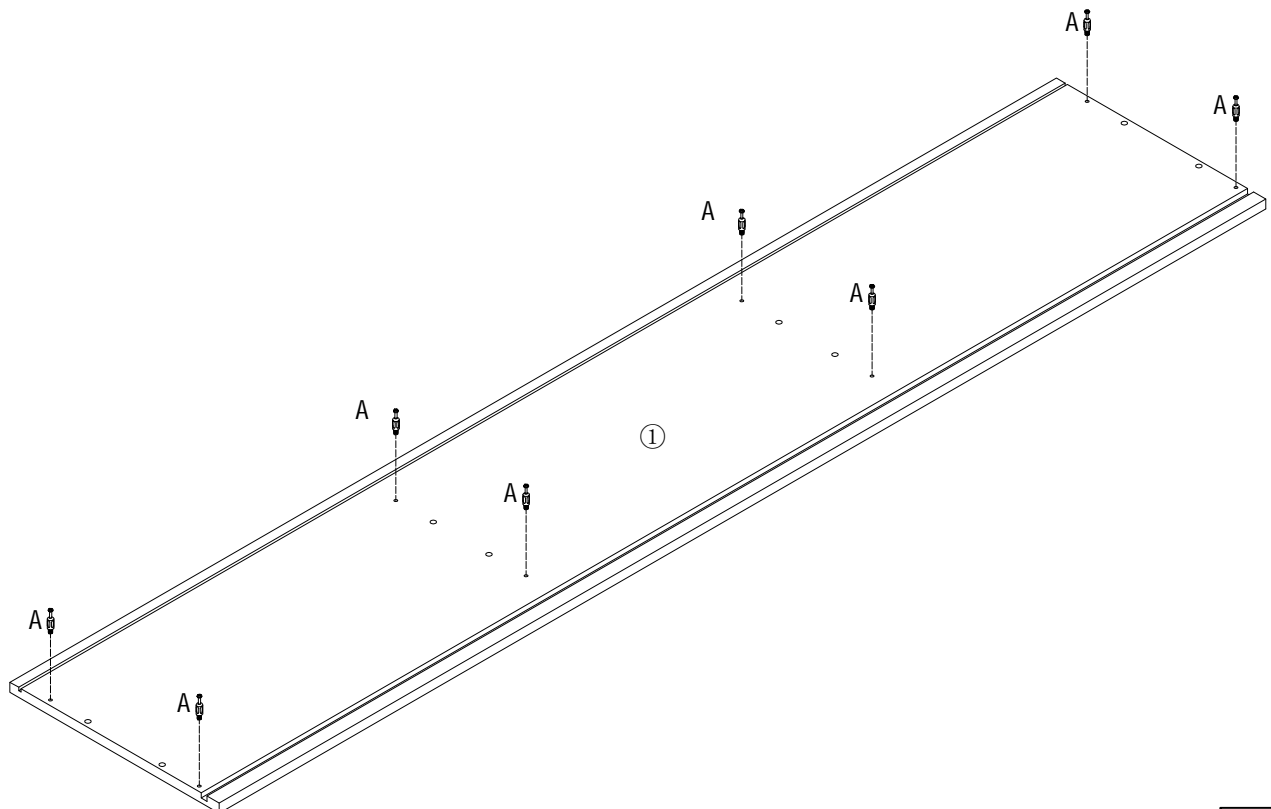



Step1



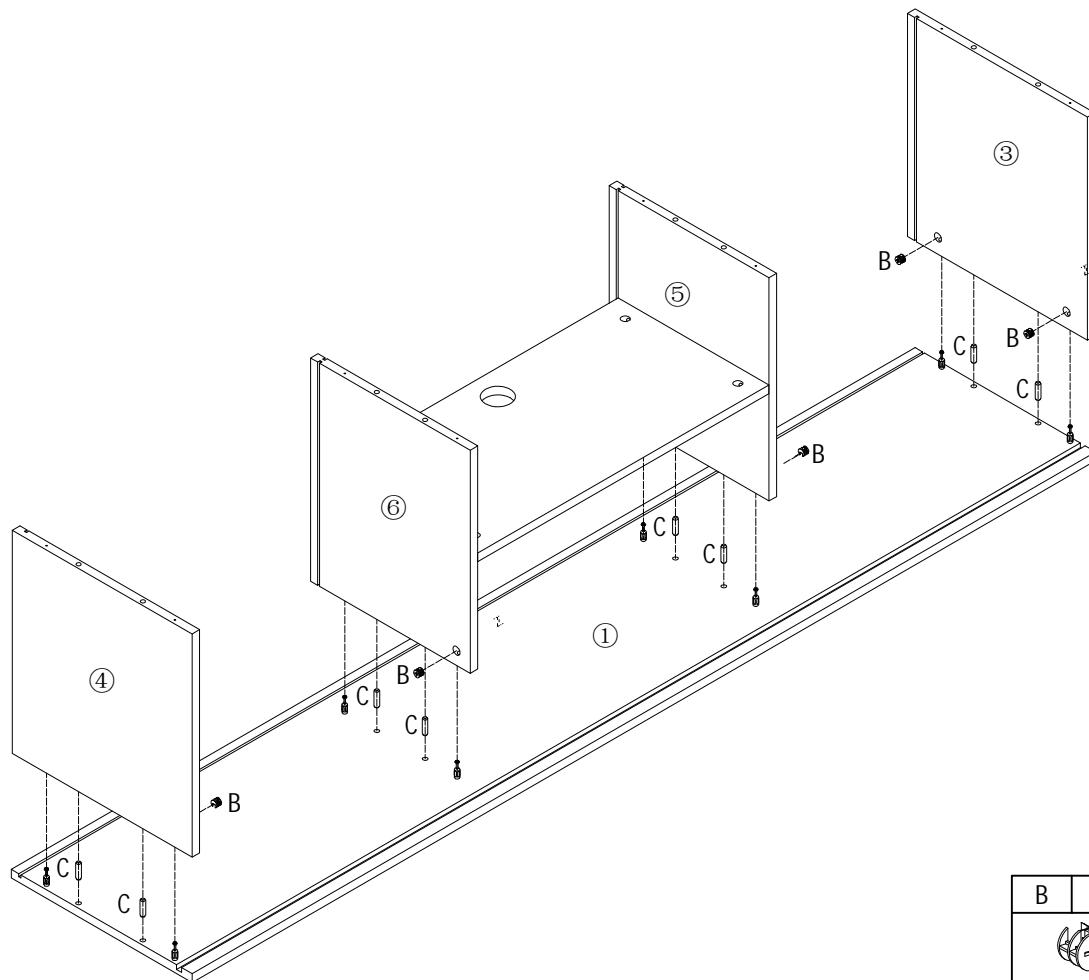
A	x4	B	x4	C	x4
					
M6*35mm		φ15*12mm		φ8*30mm	



Step2



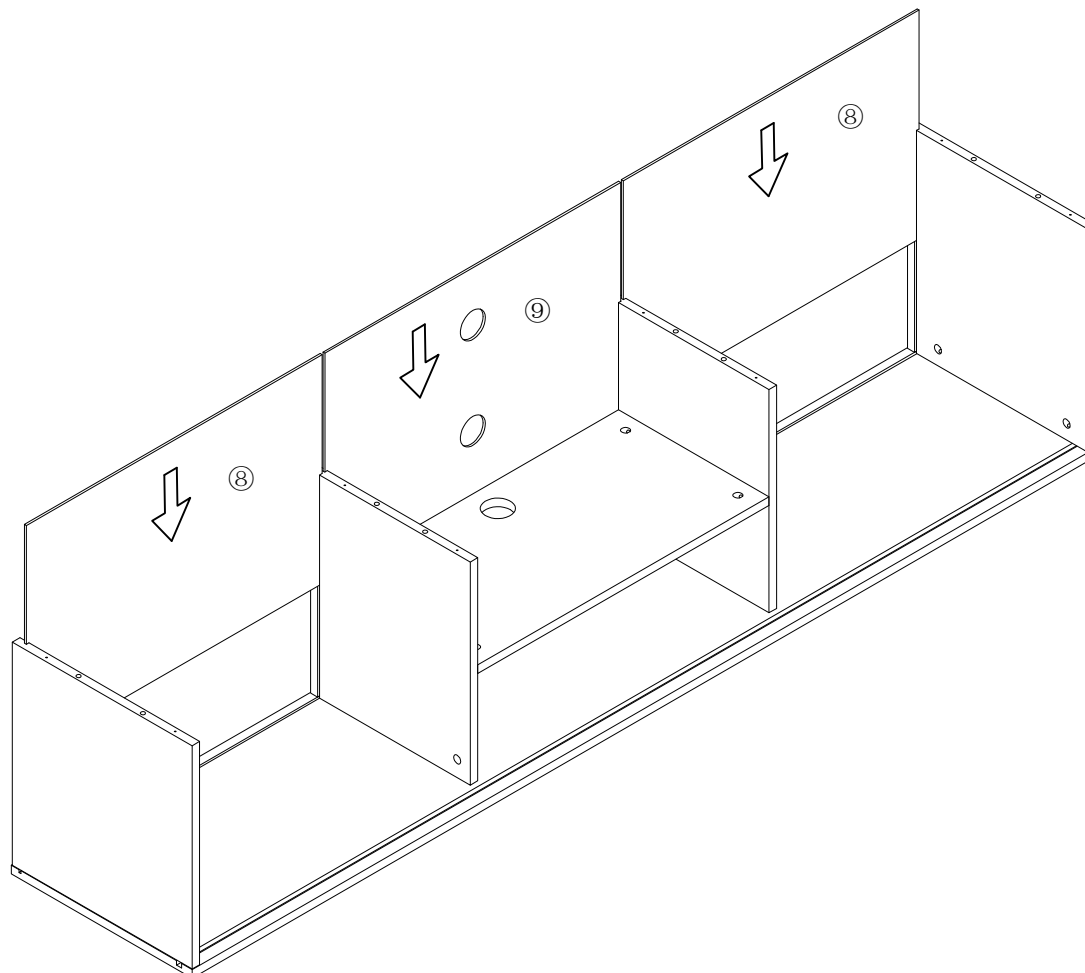
A	x8
	
M6*35mm	

Step3

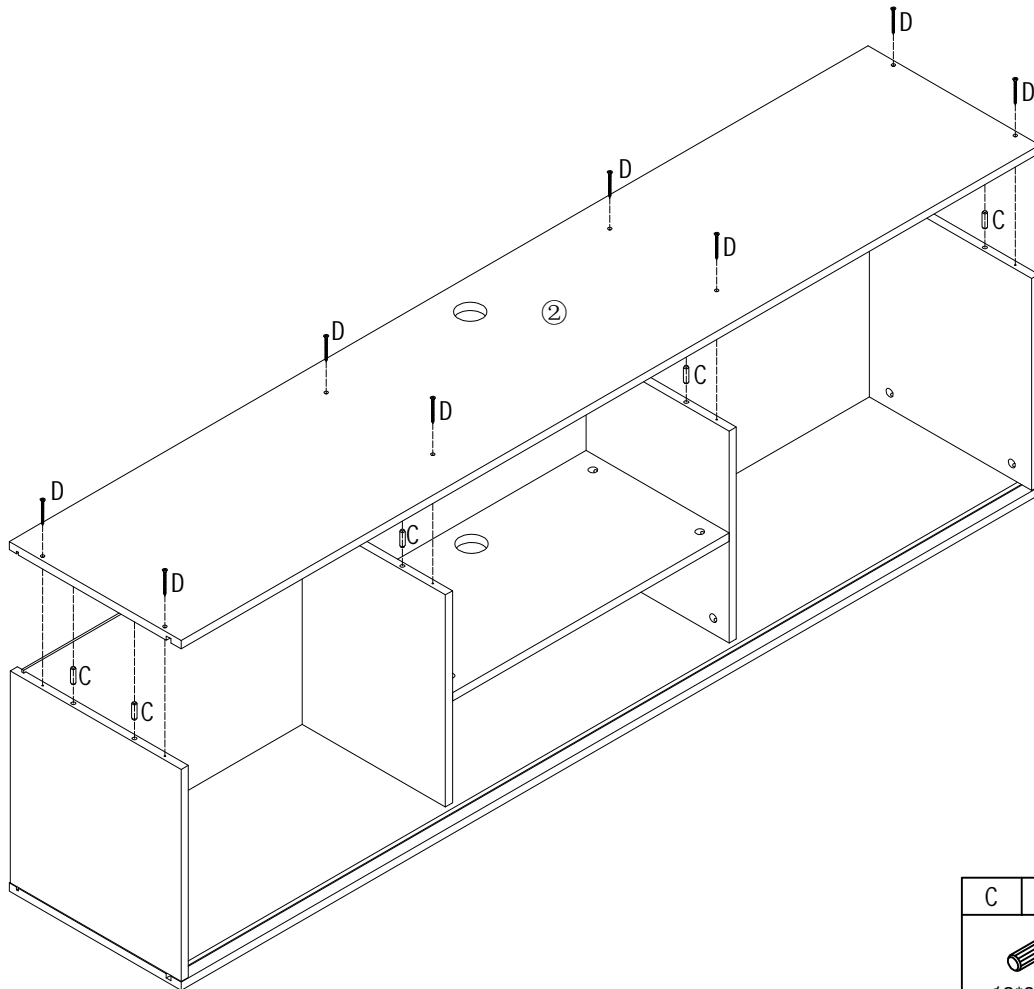




B	x8	C	x8
			
$\phi 15 \times 12 \text{mm}$		$\phi 8 \times 30 \text{mm}$	

Step4

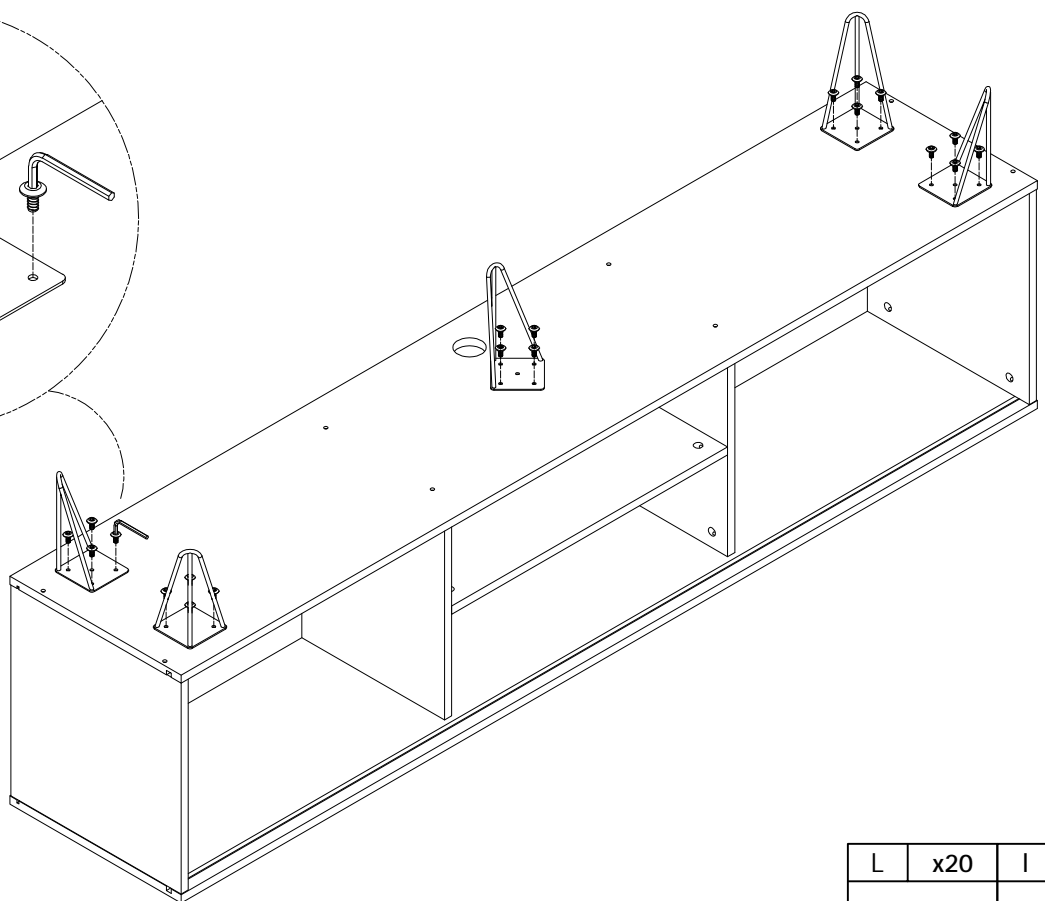
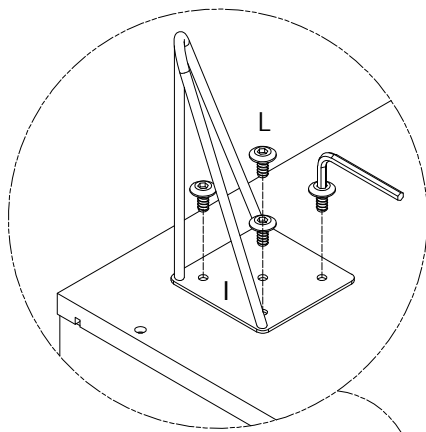



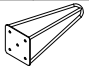
Step5



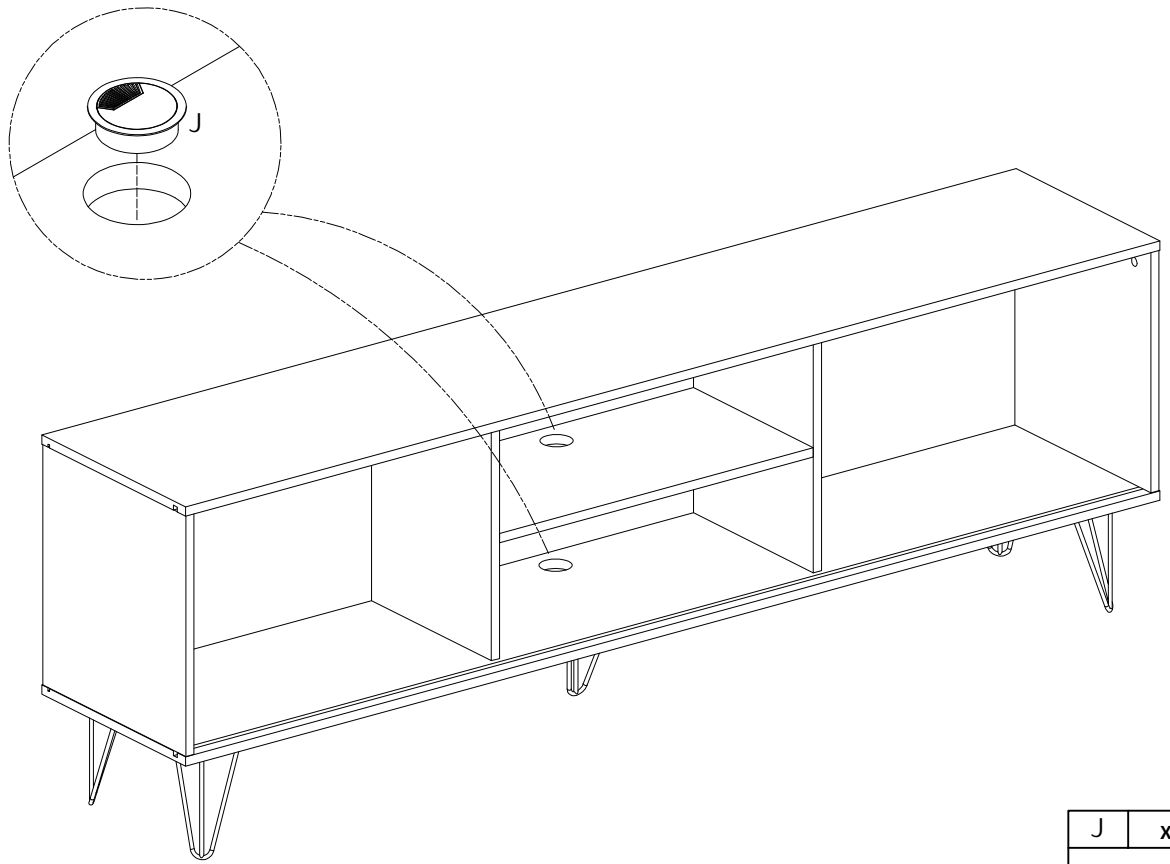
C	x8	D	x8
			
Ø8*30mm		Ø4*35mm	


Step6



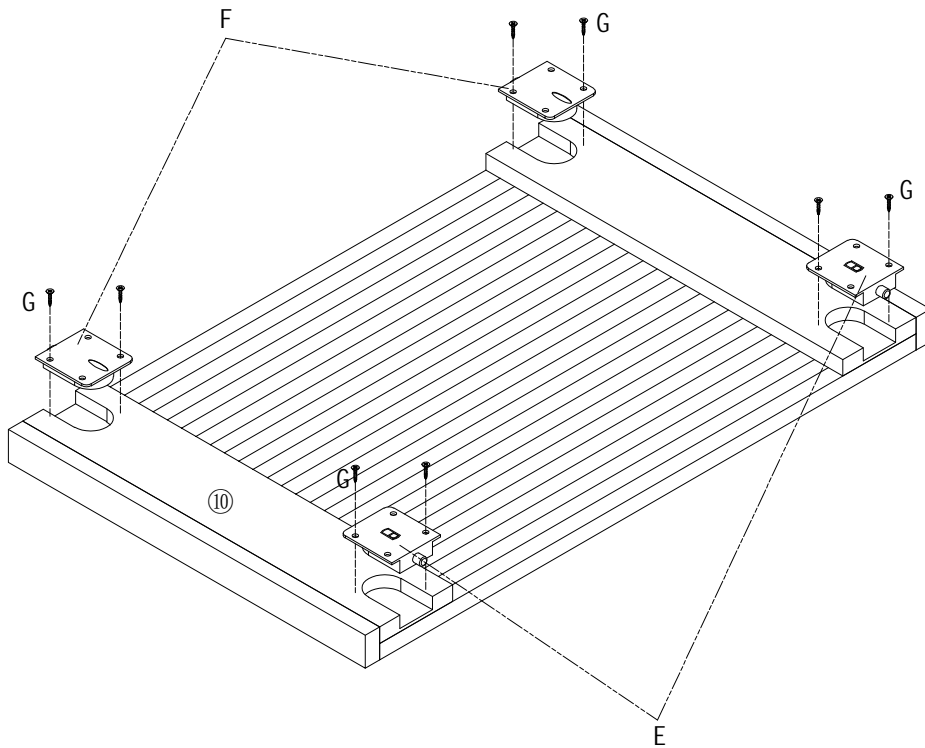
L	x20	I	x5
			
M6*10mm		H=185mm	




Step7



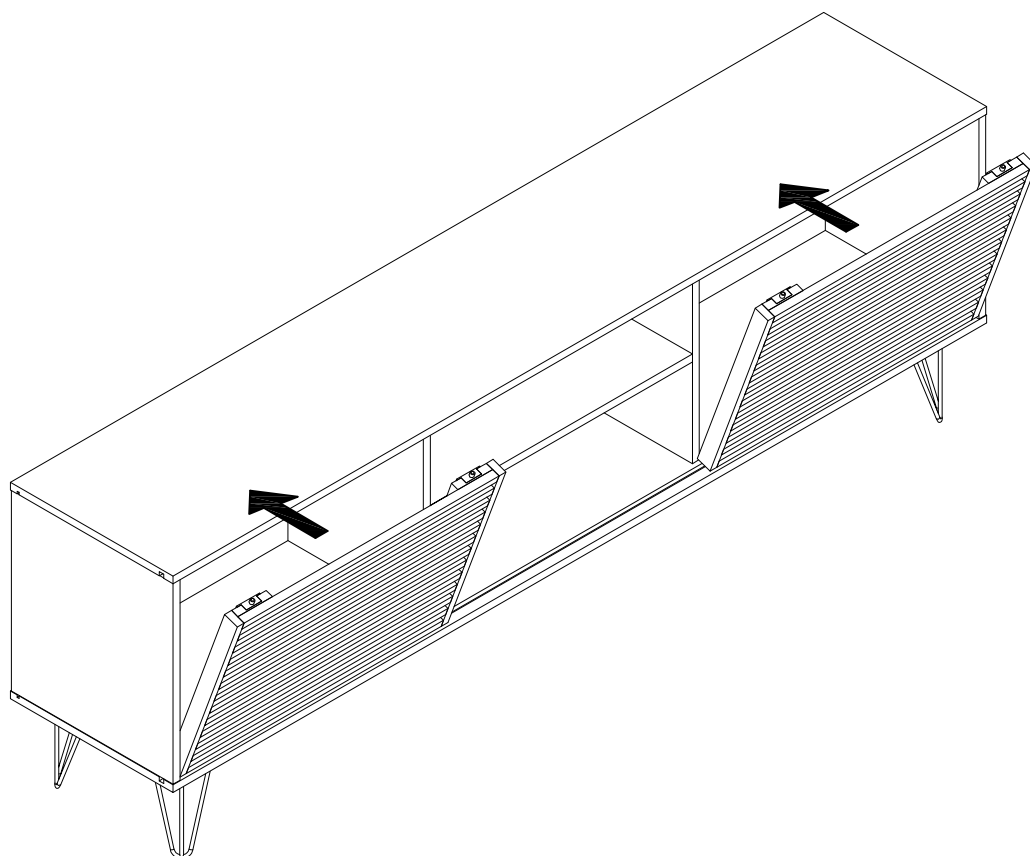
J	x2
 ø50mm	

Step8

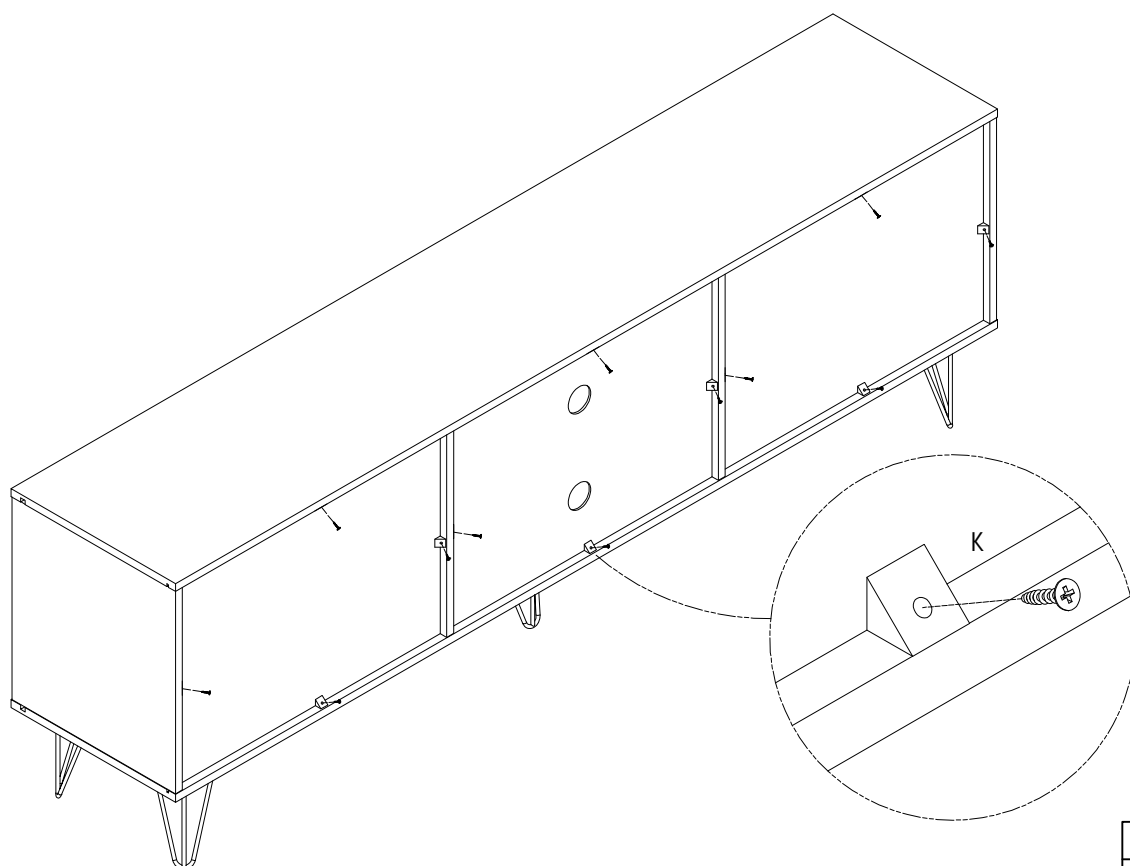




E	x4	F	x4	G	x16
				 ø3.5*12mm	

Step9

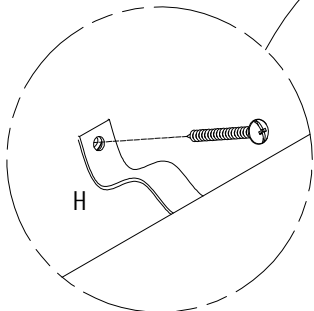
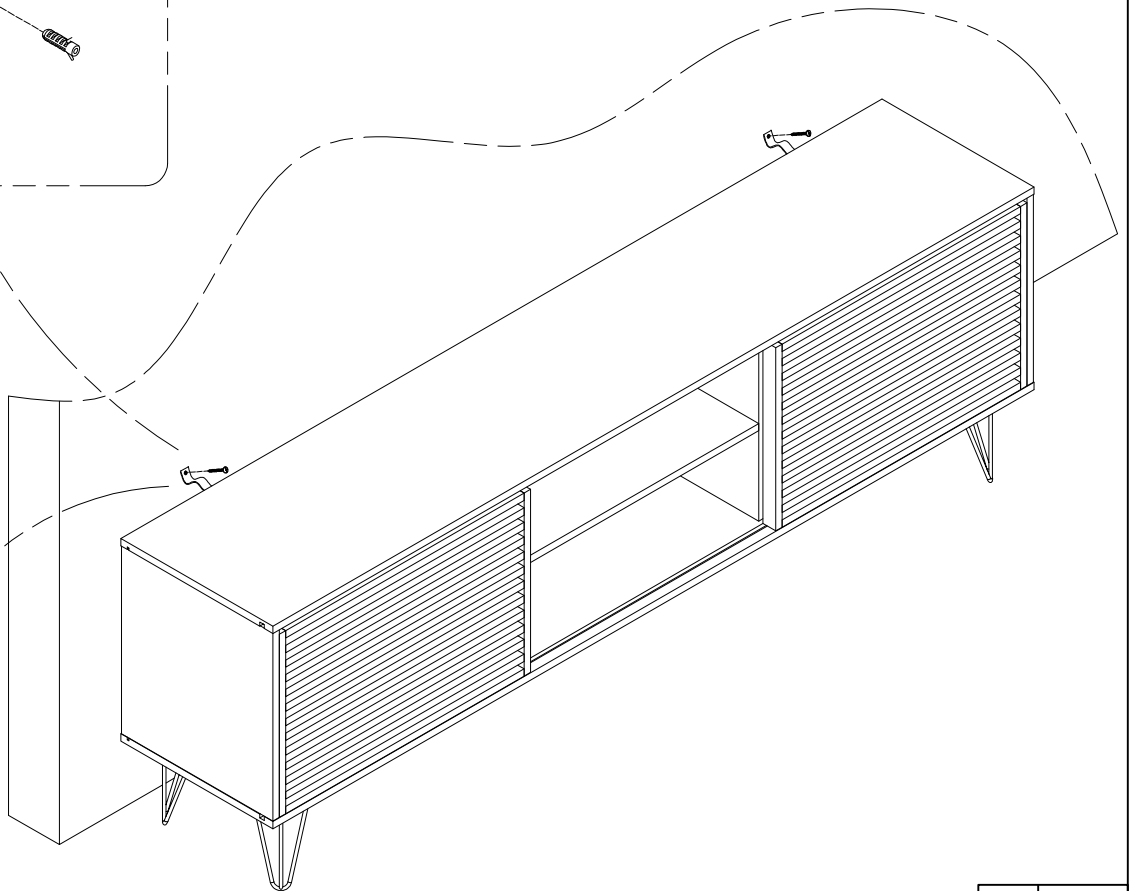
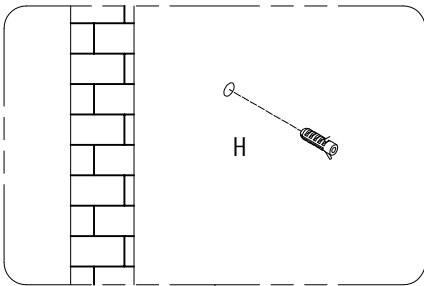
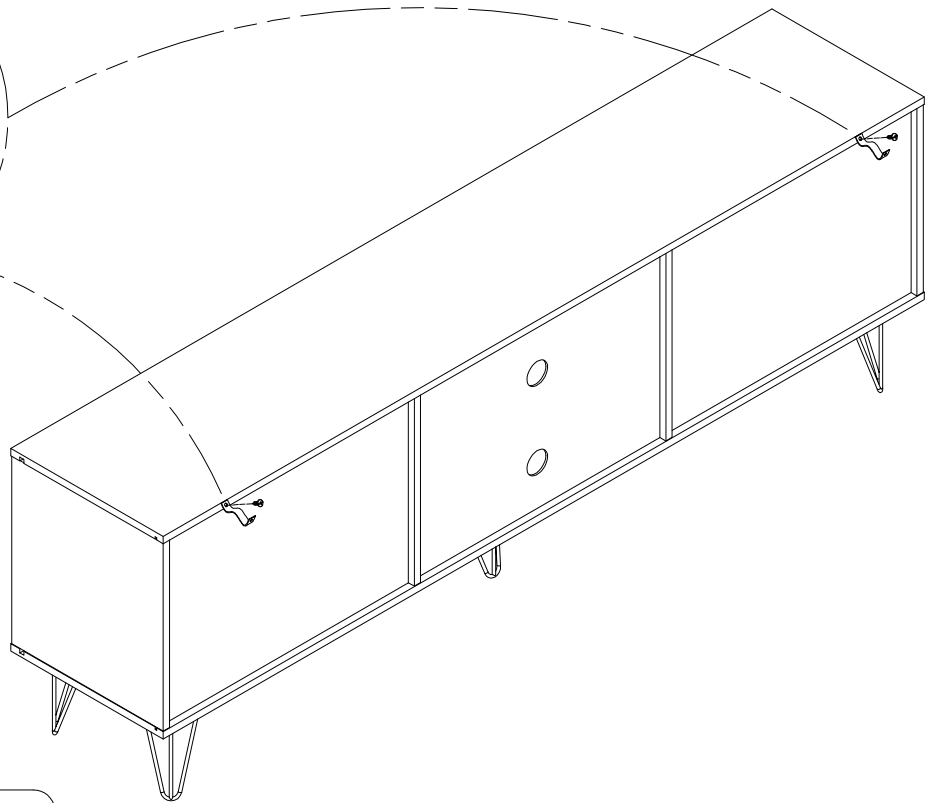
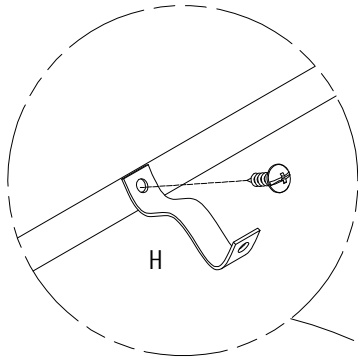


Step10



K	x12
	

Step11



H	x2