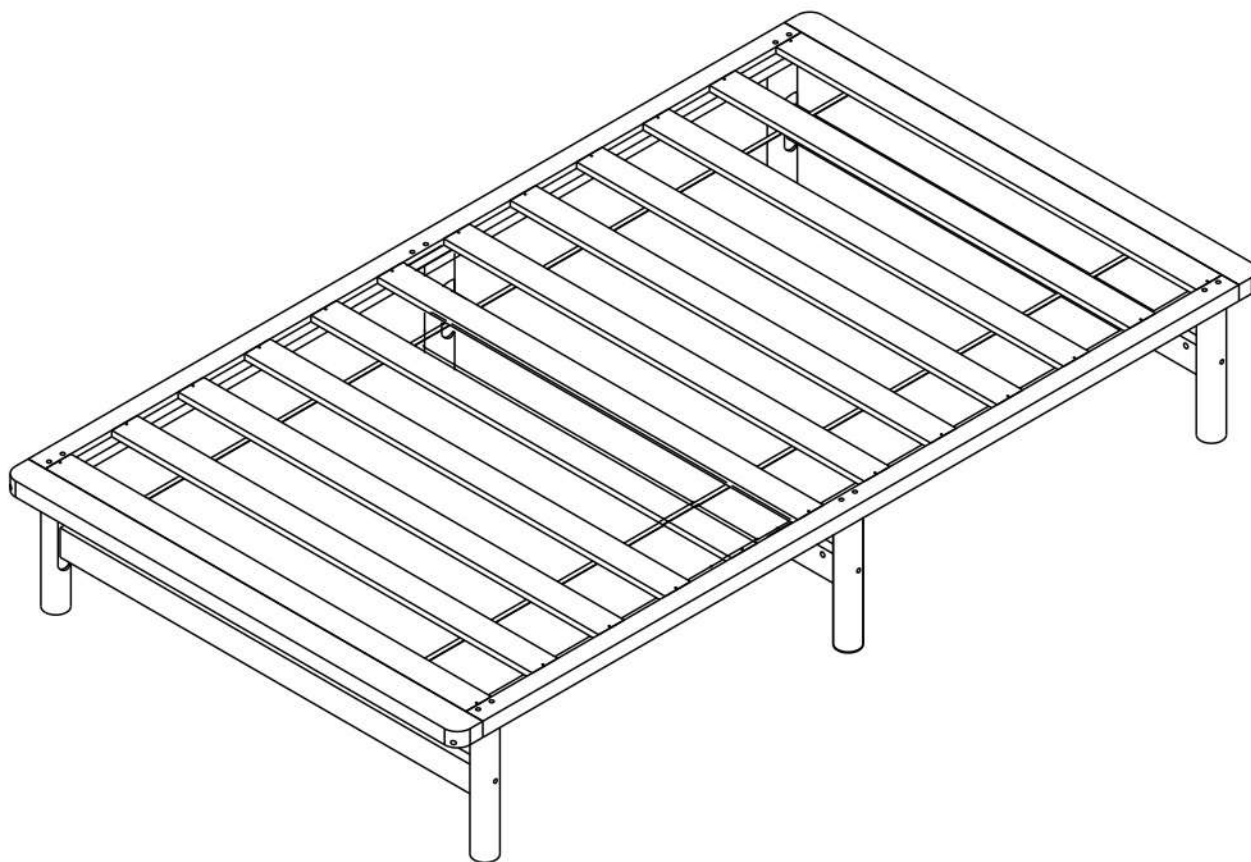


# WOODEN BED FRAME

MODEL:BF-W-A55-PFM-S/KS



## ASSEMBLY INSTRUCTIONS

Please read the instructions carefully before assembling and using the product

### **\*IMPORTANT NOTICE\***

When moving the bed, please lift off the ground with two people. DO NOT drag, push or pull the bed across the floor, as this can result in damage to the supporting leg.

## ASSEMBLY CHECKLIST



Read through the instructions carefully before starting assembly.



Make sure that you have the required tools. Do not use power tools.



Identify and lay out all parts to familiarise yourself with them.

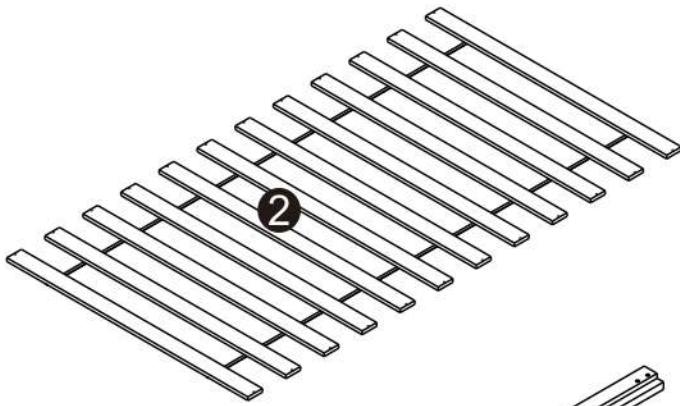


Do not fully tighten all screws until the step or process has been completed.

## USEFUL INFORMATION

1. Never use power tools for assembly. They can damage the components or hardware if used incorrectly.
2. The most common mistakes made during assembly are using the wrong hardware or getting components from back to front.
3. Always assemble the product on a soft surface such as a carpet or cardboard to avoid scratching or damaging the surface of the product.

# PARTS



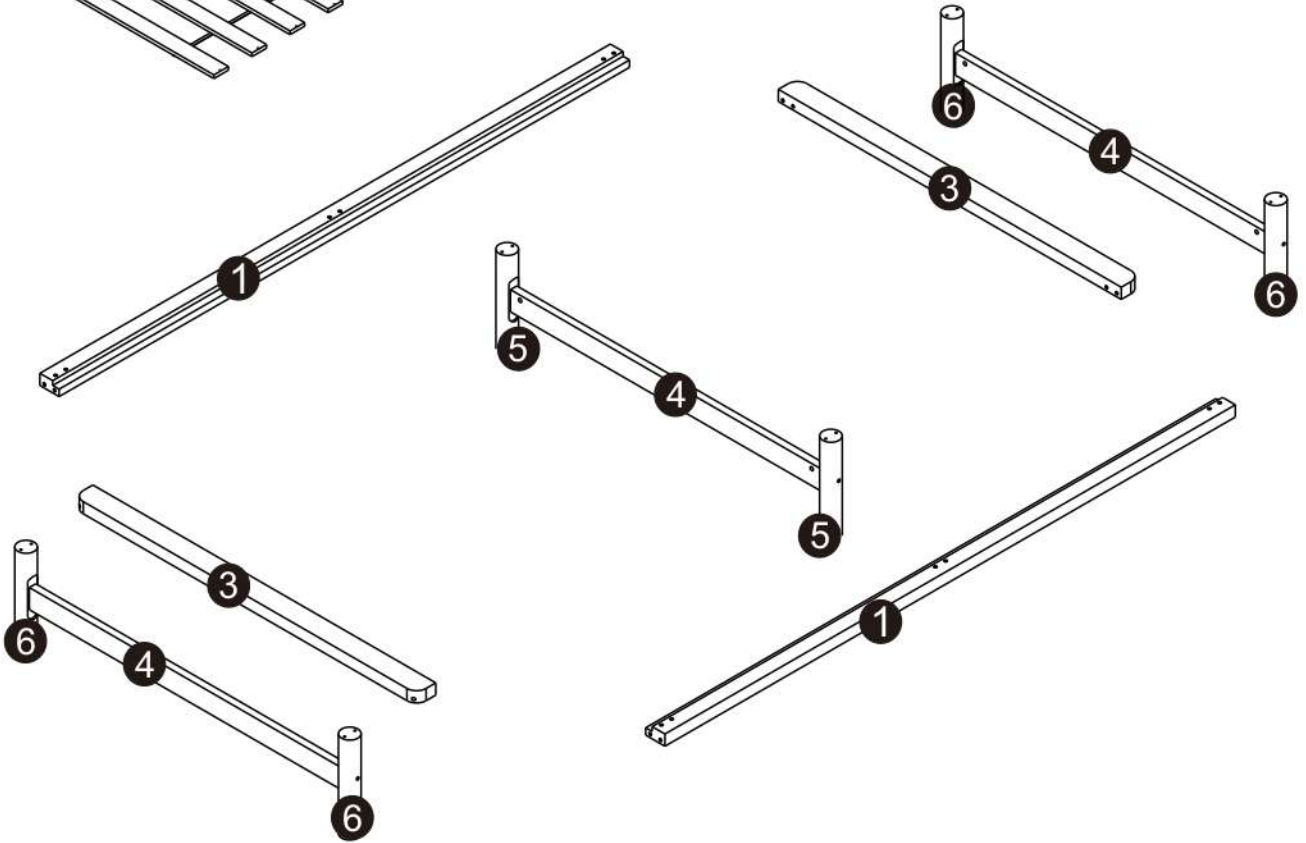
size



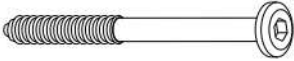



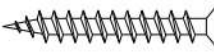

265\*50\*50=2pcs



270\*50\*50=4pcs




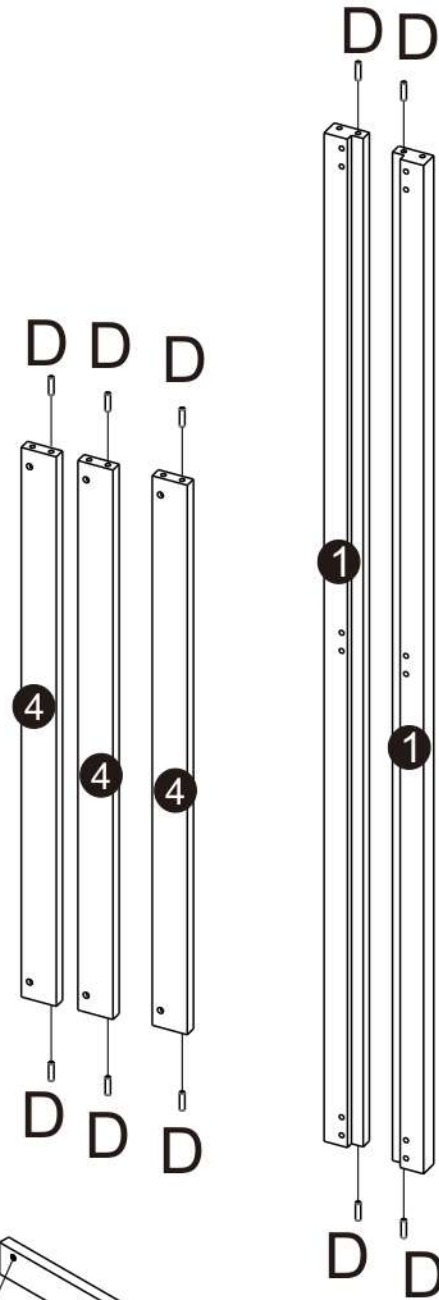
# HARDWARE

A	 M6X90	10
B		10
C	 $\phi$ 7X70	12
D	 $\phi$ 8X30	10
E	 $\phi$ 4x30	24
F		1

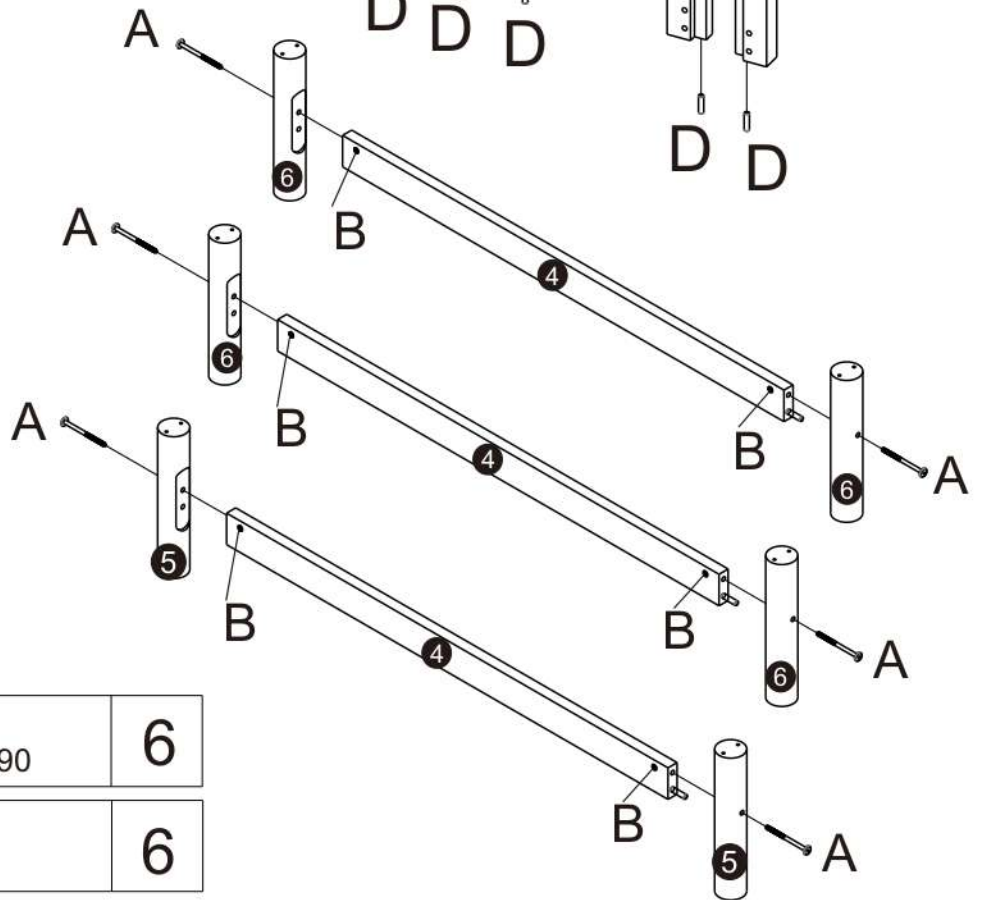
# ASSEMBLY STEPS

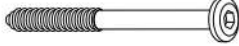

## STEP 1

D	 $\phi 8 \times 30$	10
---	--	----



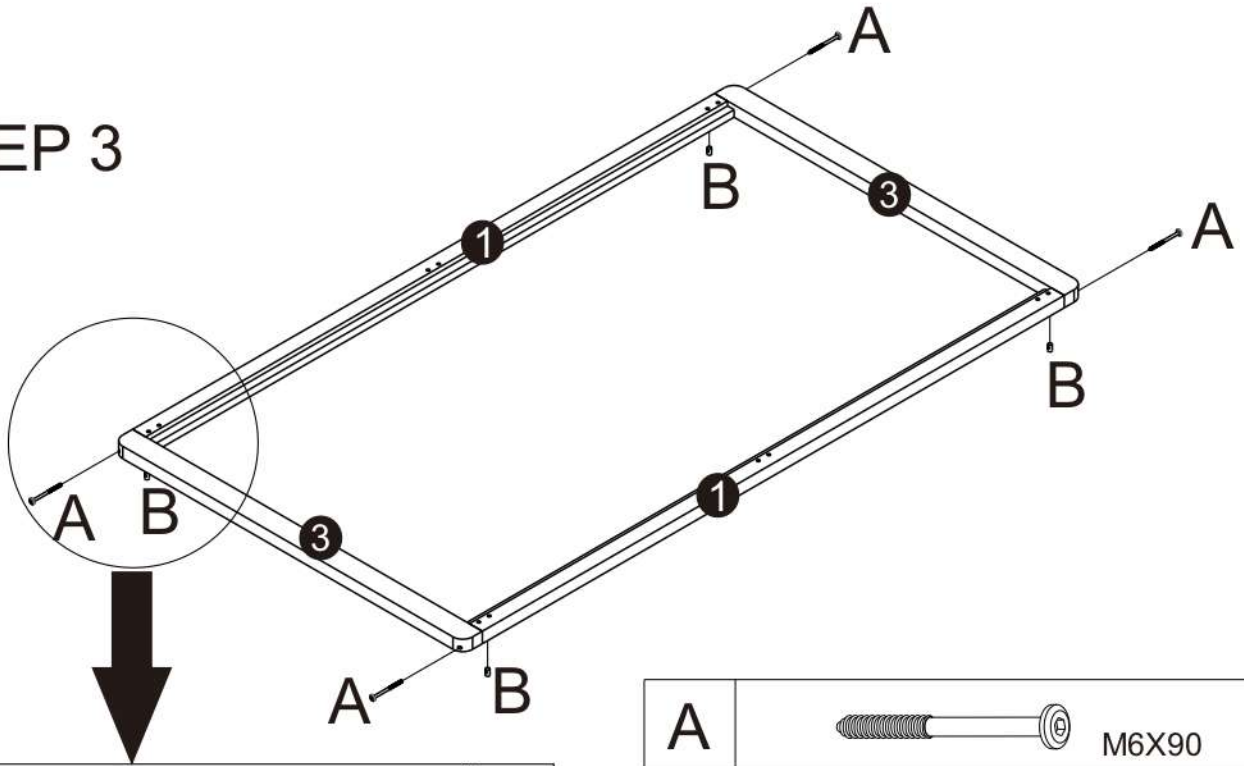
## STEP 2





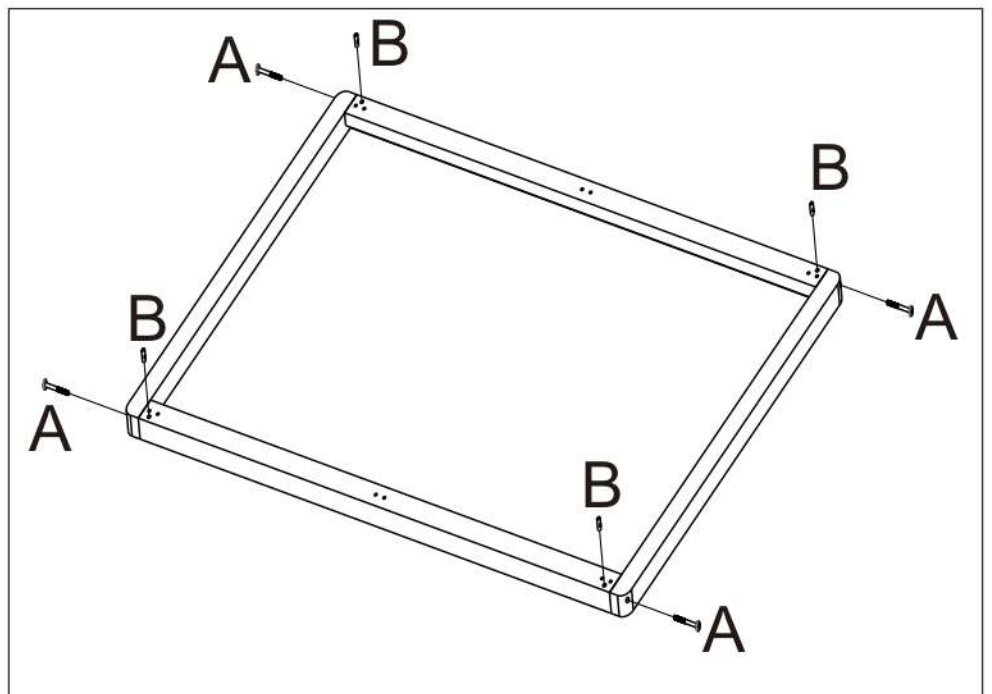
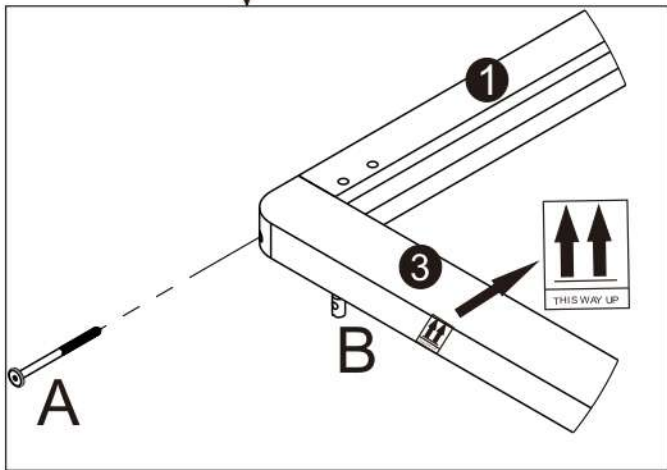
A	 M6X90	6
B		6

# ASSEMBLY STEPS

STEP 3




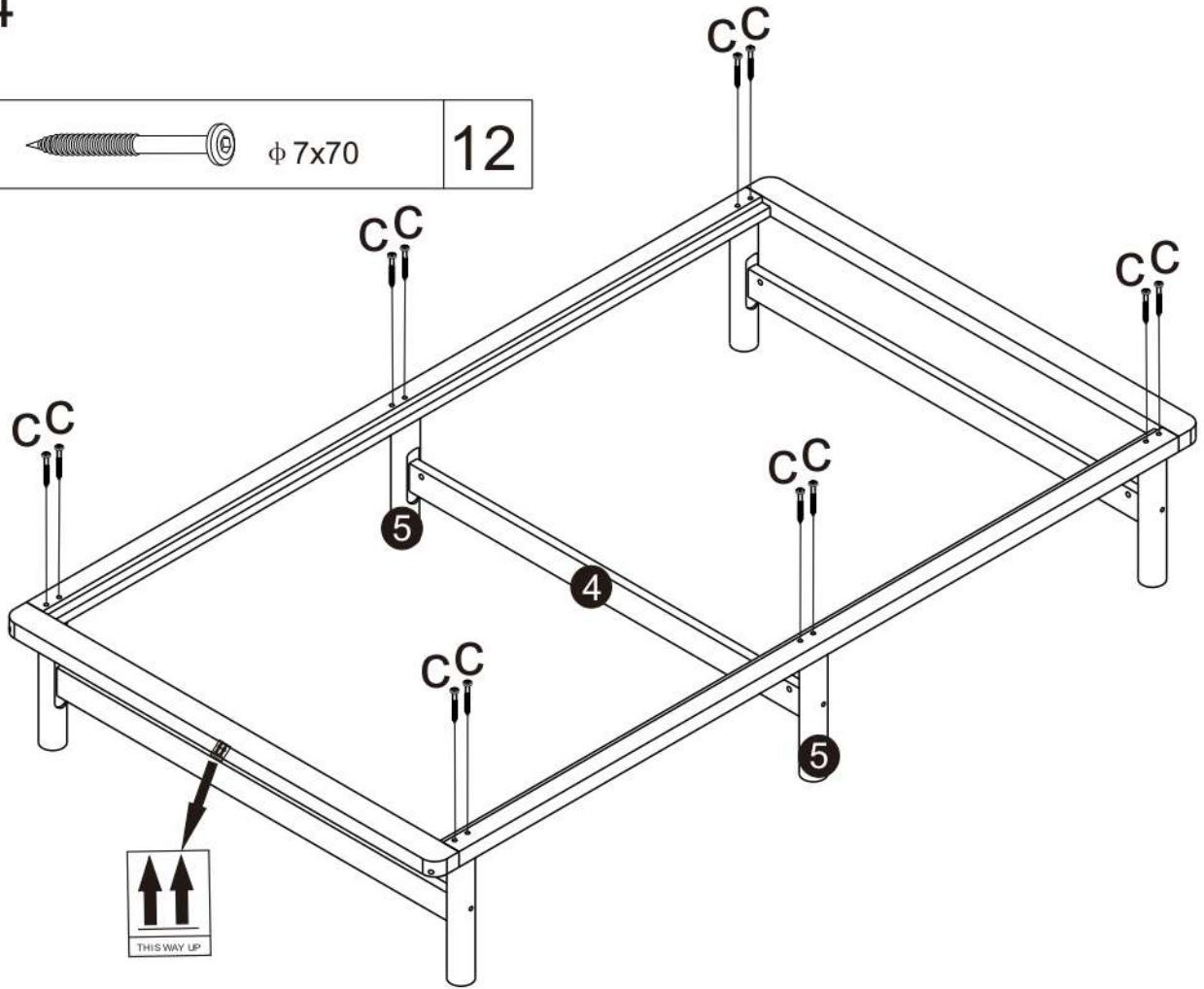
A	 M6X90	4
B		4



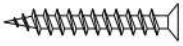
# ASSEMBLY STEPS

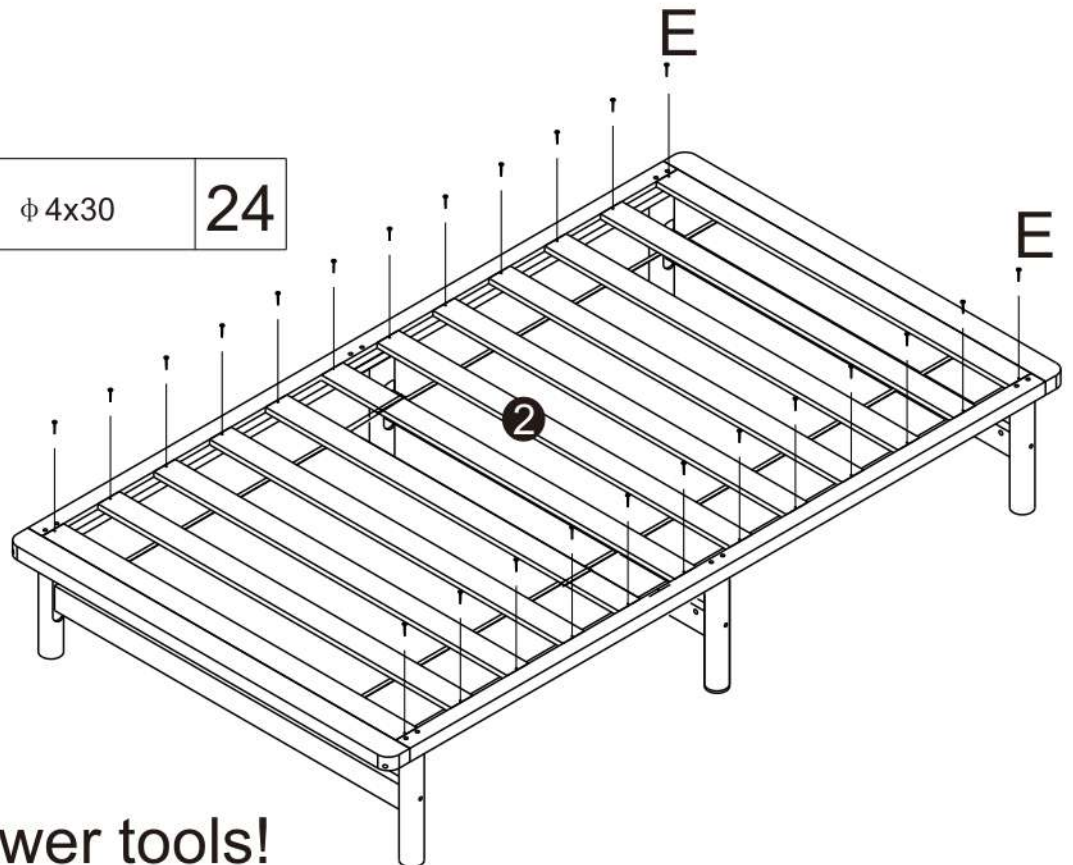
## STEP 4

C	 $\phi$ 7x70	12
---	---	----



## STEP 5

E	 $\phi$ 4x30	24
---	---	----



Note:

Do Not use power tools!

Tighten all screw E to fix all bed slats