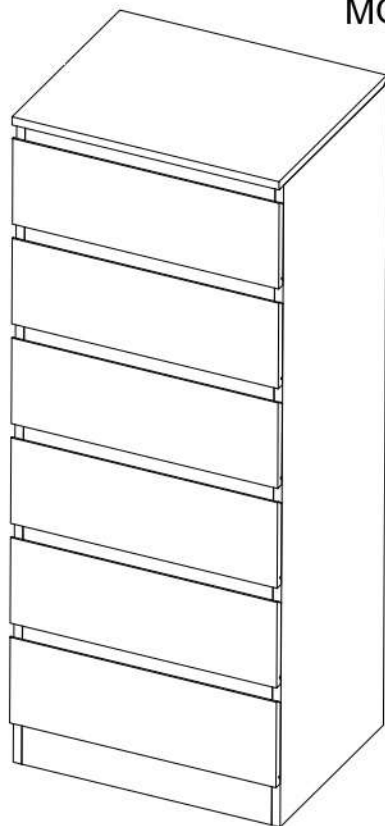
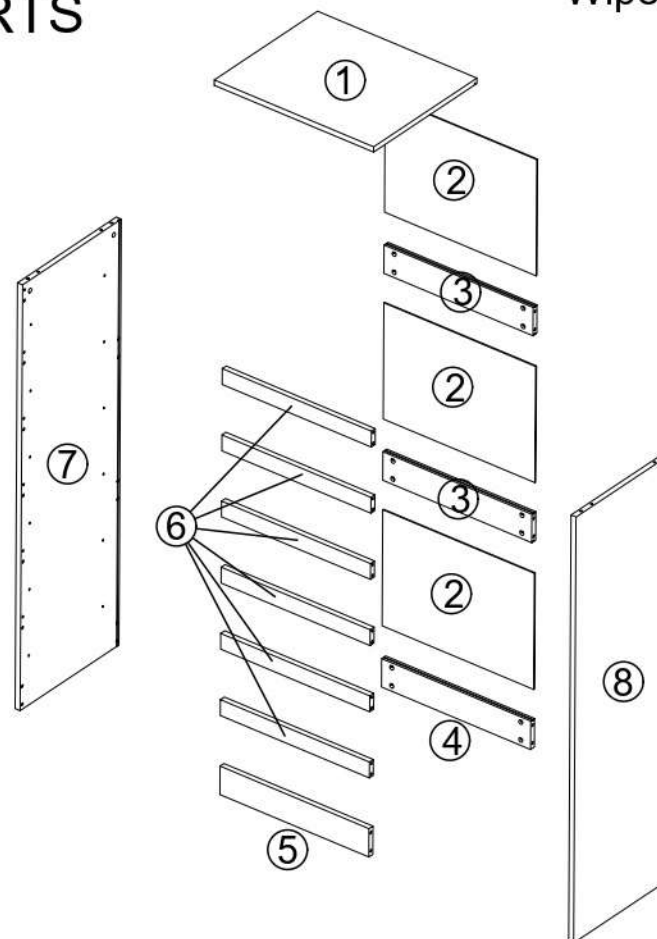


Chest of Drawer

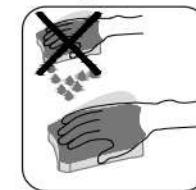
MODEL:COD-VJ-LIZ-6D
Version : 2.0



PARTS



Wipe with dry cloths



ASSEMBLY INSTRUCTIONS

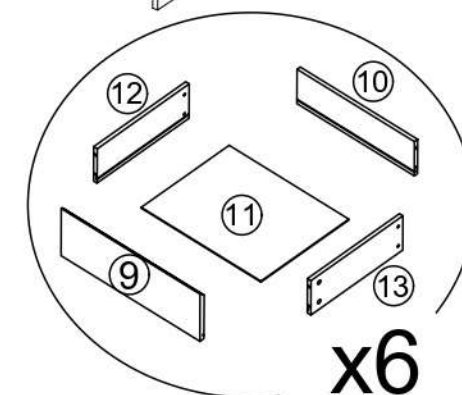
Please read instructions carefully before assembly.



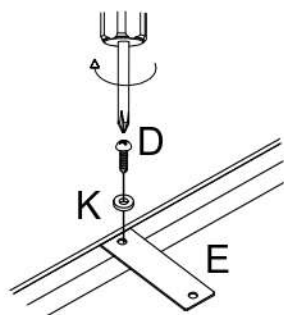
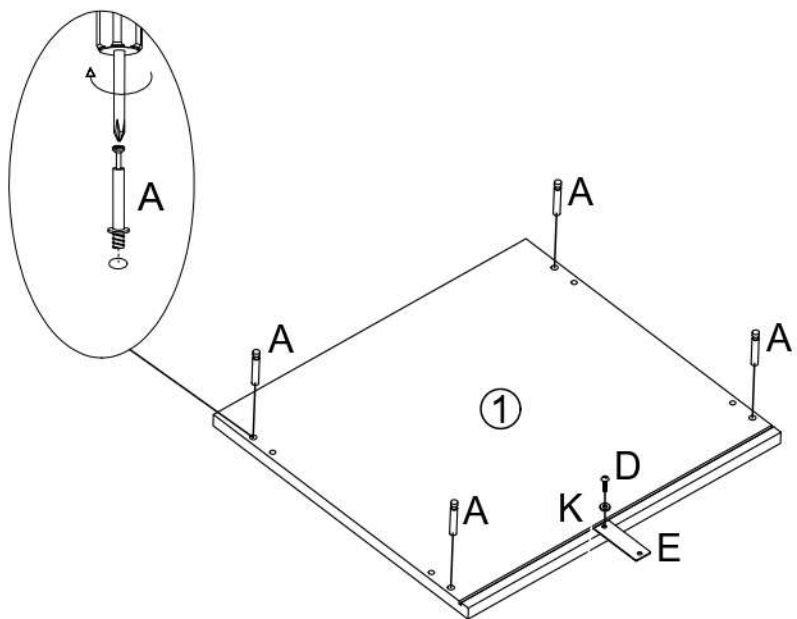
Two persons and tools required for assembly




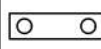
HARDWARE

A	x56	B	x56	C	x16	D	x1	E	x1	F	x48
6x35mm		12x10mm		Ø6x30mm		Ø4x14mm				Ø3x12mm	
G1	x12	G2	x12	H	x10	I	x25	J	x1	K	x2
				Ø3x14mm		Ø4x30mm					

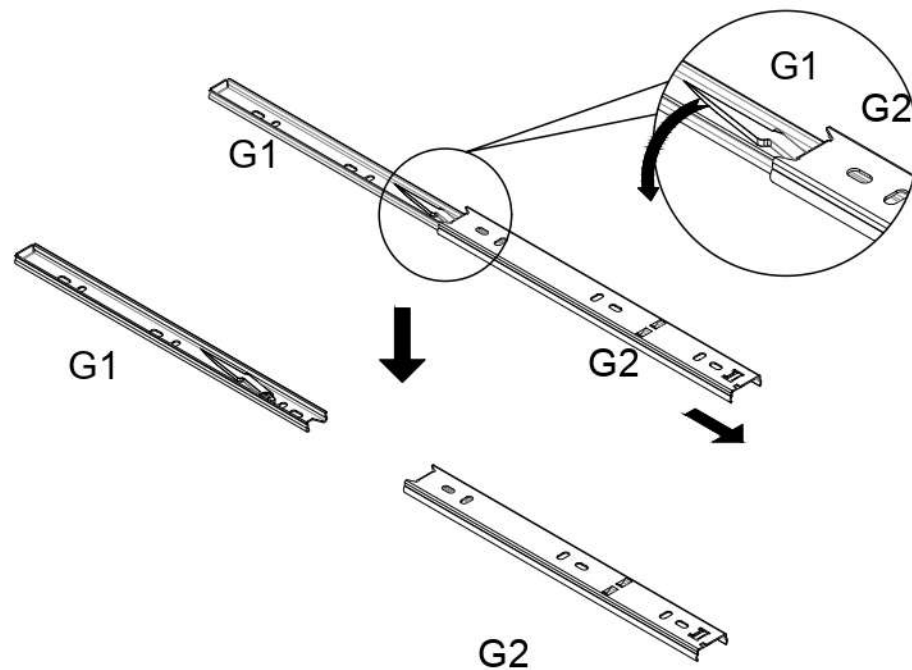


1



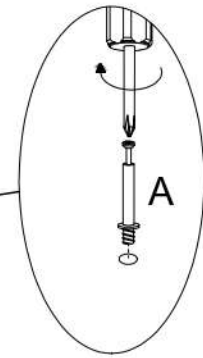
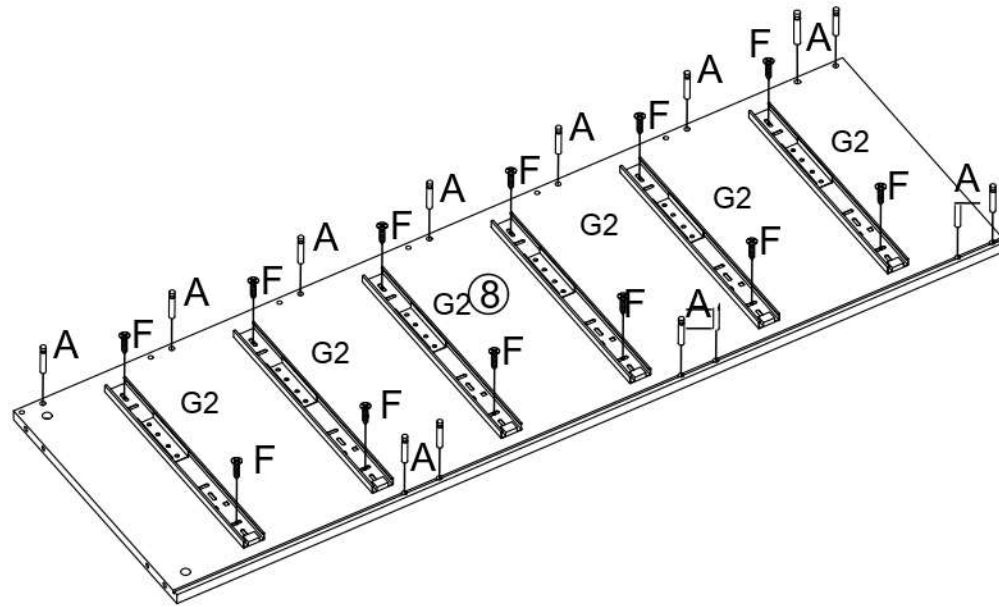
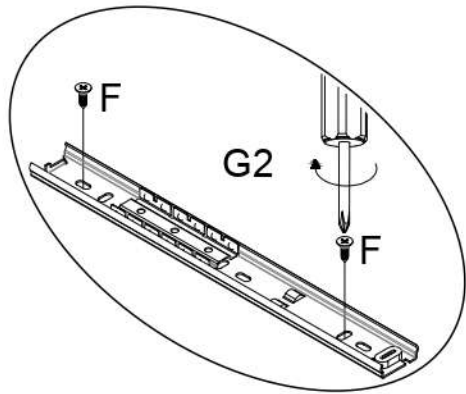
A	x4	D	x1	K	x1	E	x1
							
6x35mm		M4x14mm					




2



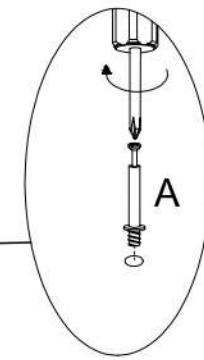
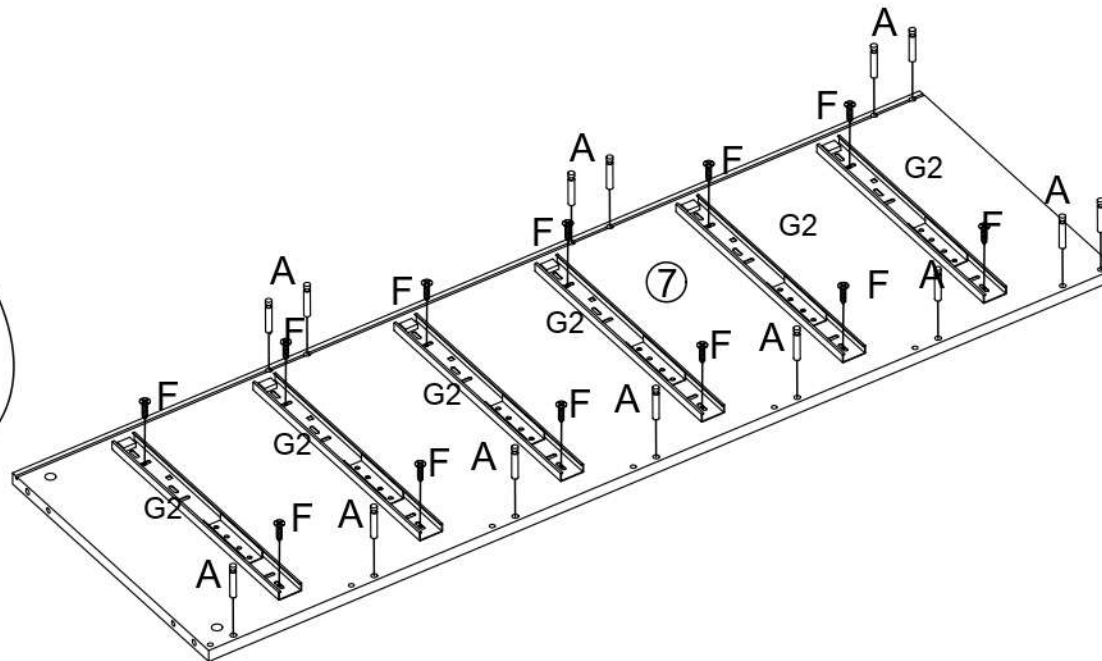
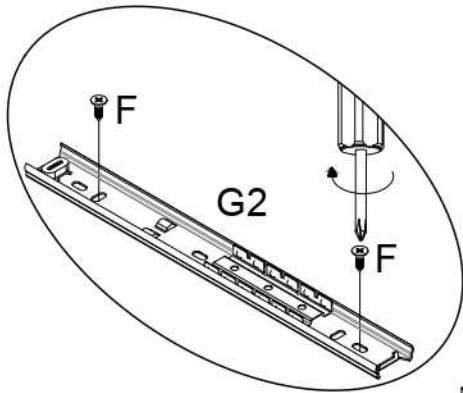
x12




3



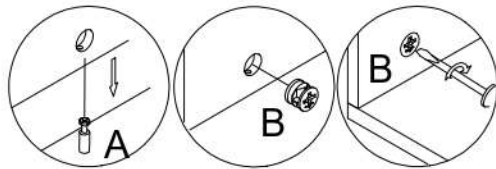
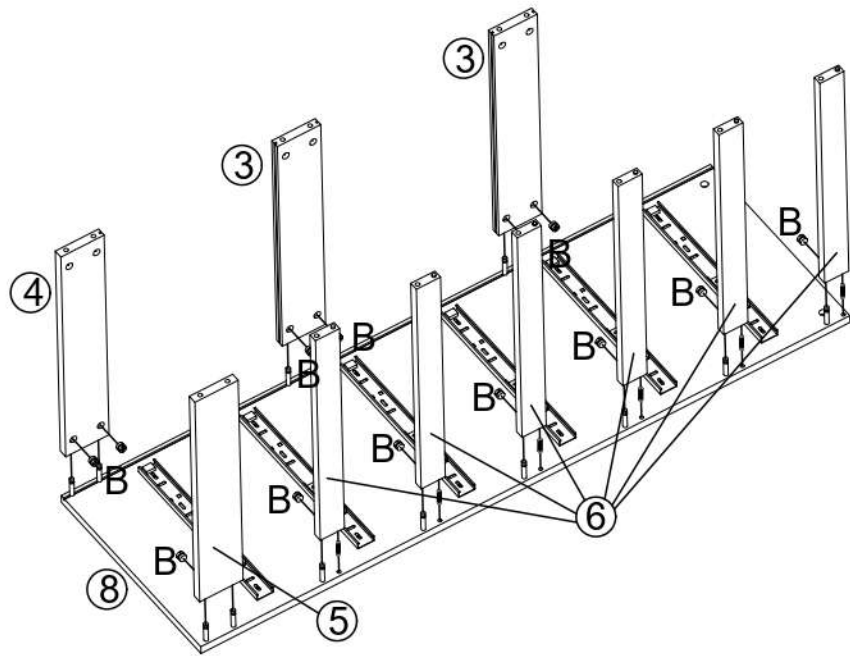
A	x14	F	x12	G2	x6
					
6x35mm		M3x12mm			



4



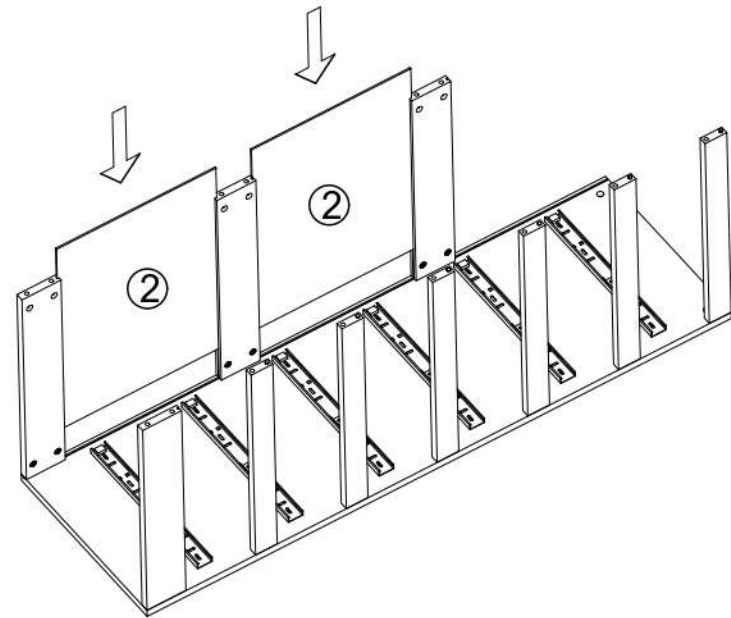
A	x14	F	x12	G2	x6
					
6x35mm		M3x12mm			

5

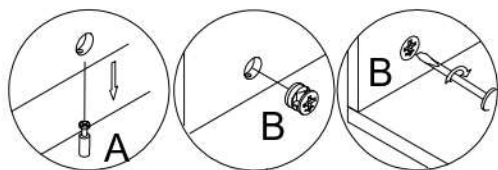
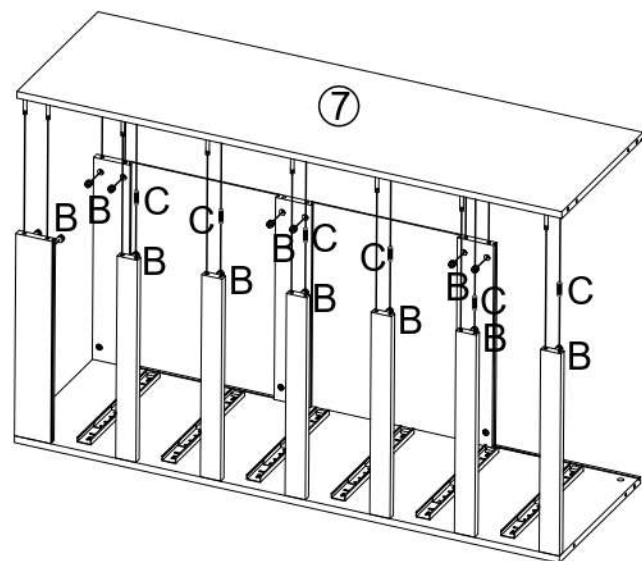




B	x14	C	x6
			
12x10mm		Ø6x30mm	

6

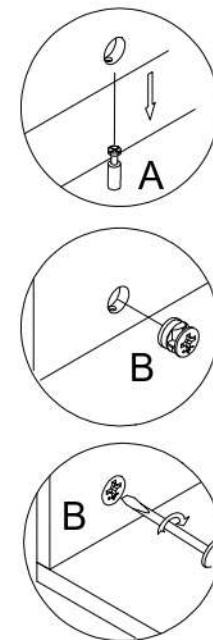
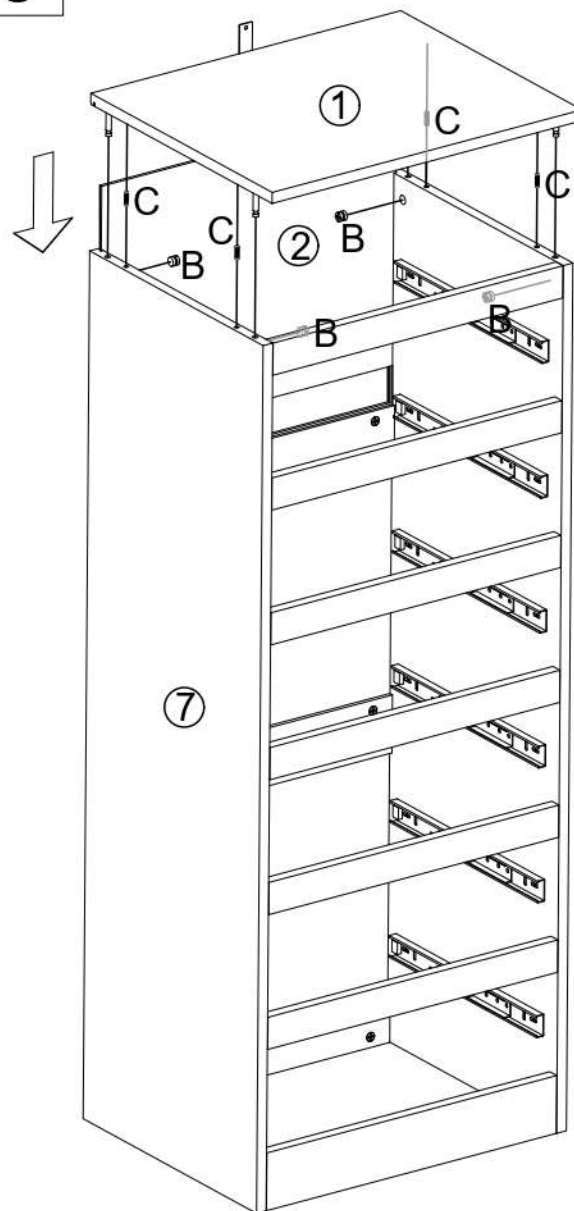




7



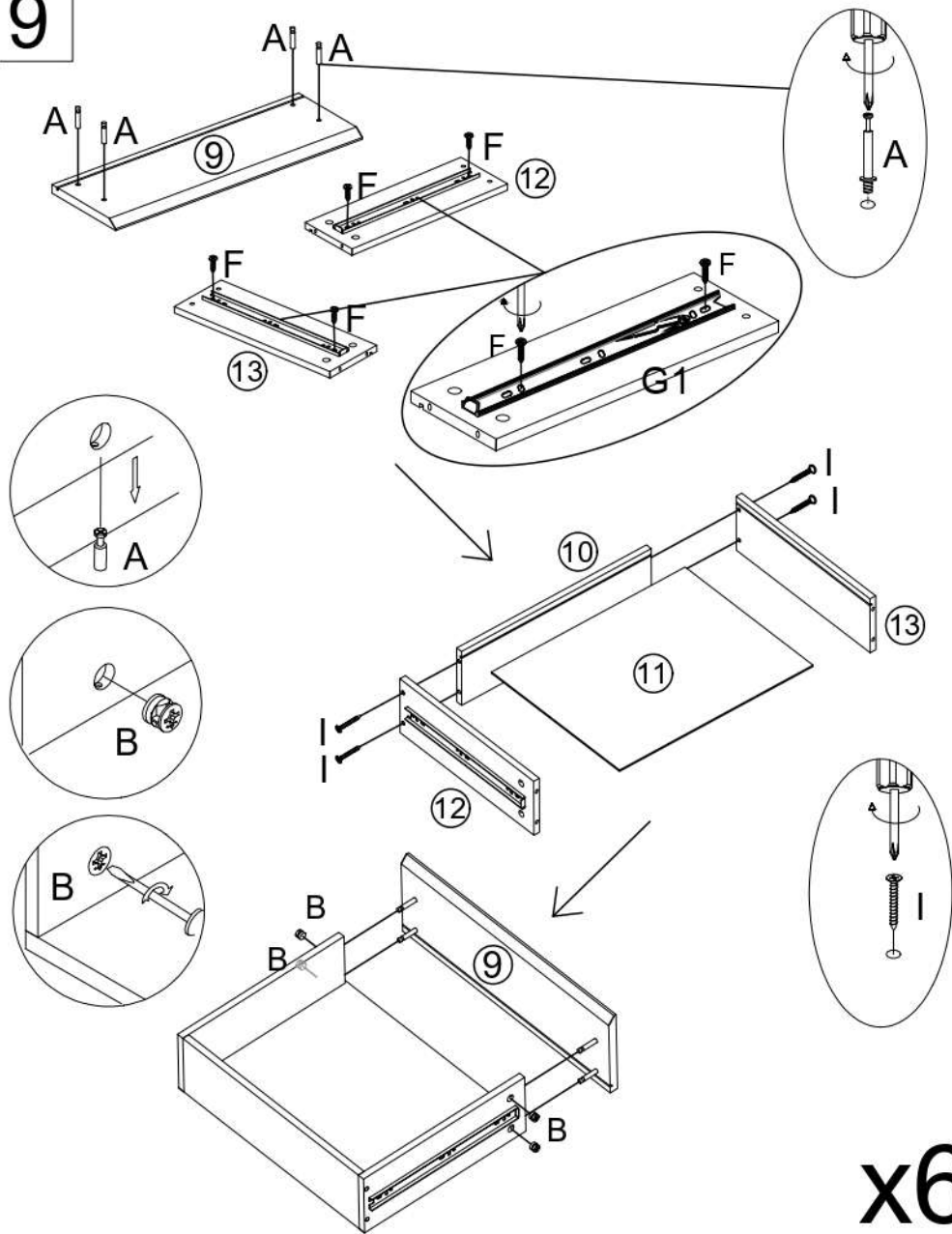
B	x14	C	x6
			
12x10mm		Ø6x30mm	

8



B	x4	C	x4
			
12x10mm		Ø6x30mm	

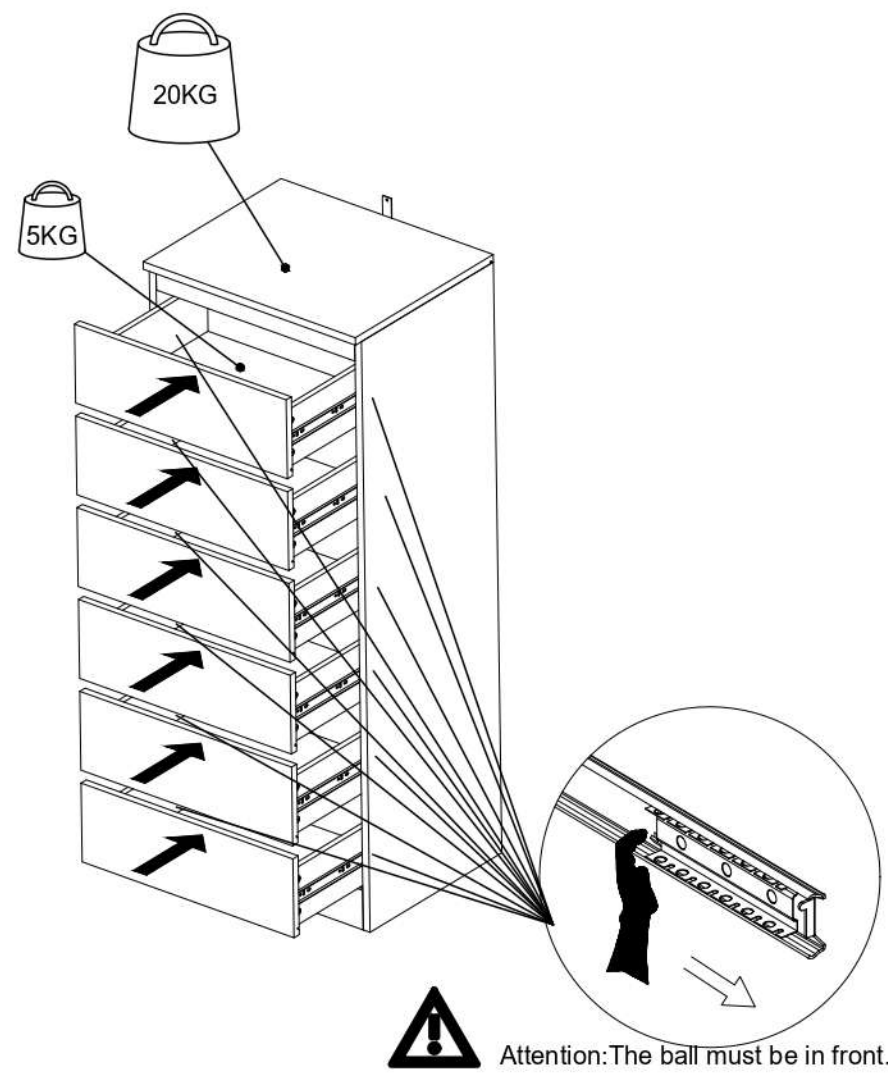
9



x6

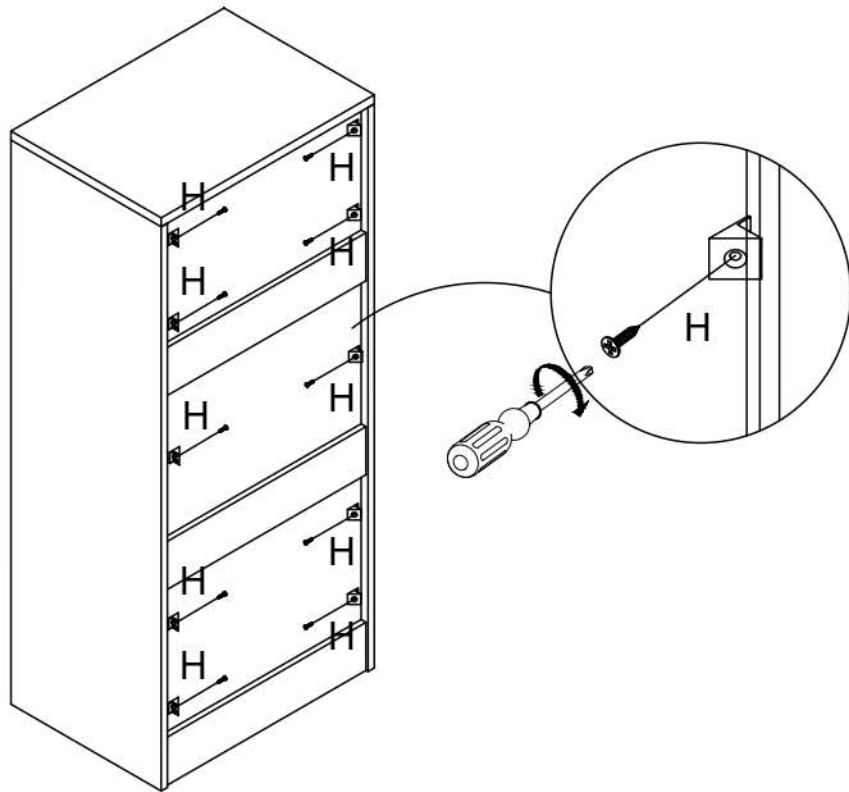
A	x24	B	x24	F	x24	G1	x12	I	x24
6x35mm		12x10mm		Ø3x12mm				Ø4x30mm	

10



Attention: The ball must be in front.

11



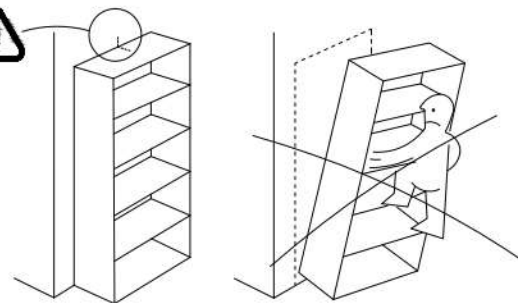
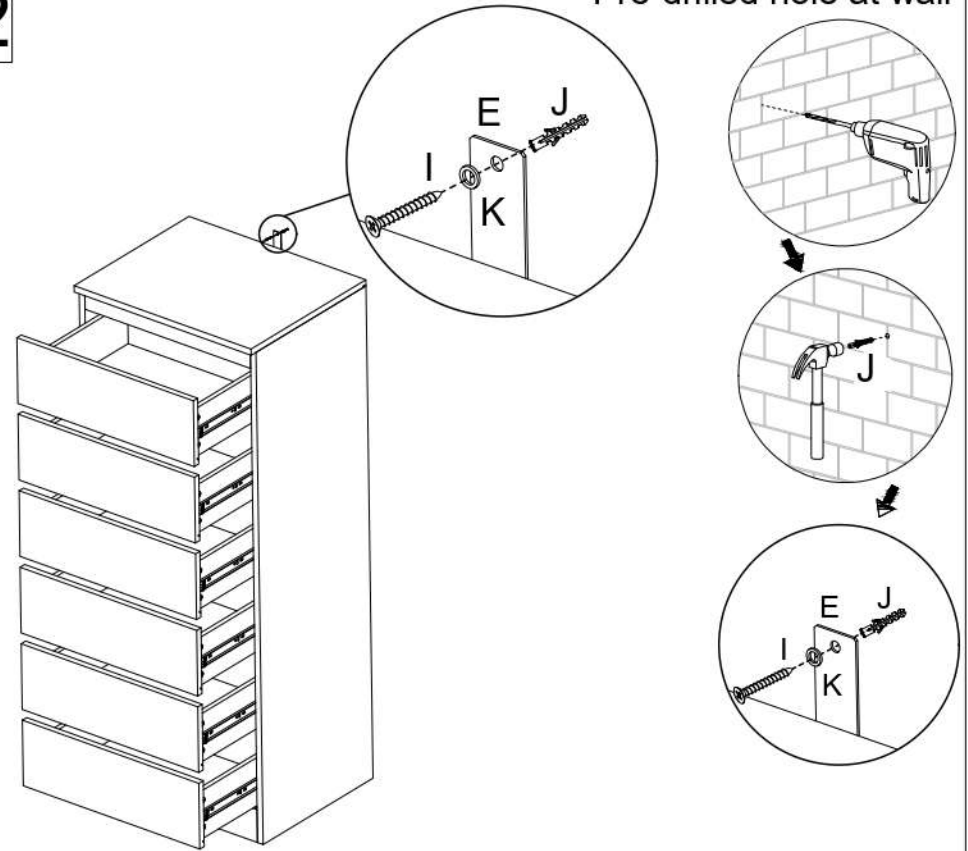
H x10



Ø3x14mm

12

Pre-drilled hole at wall



I x1 J x1 K x1



Ø4x30mm