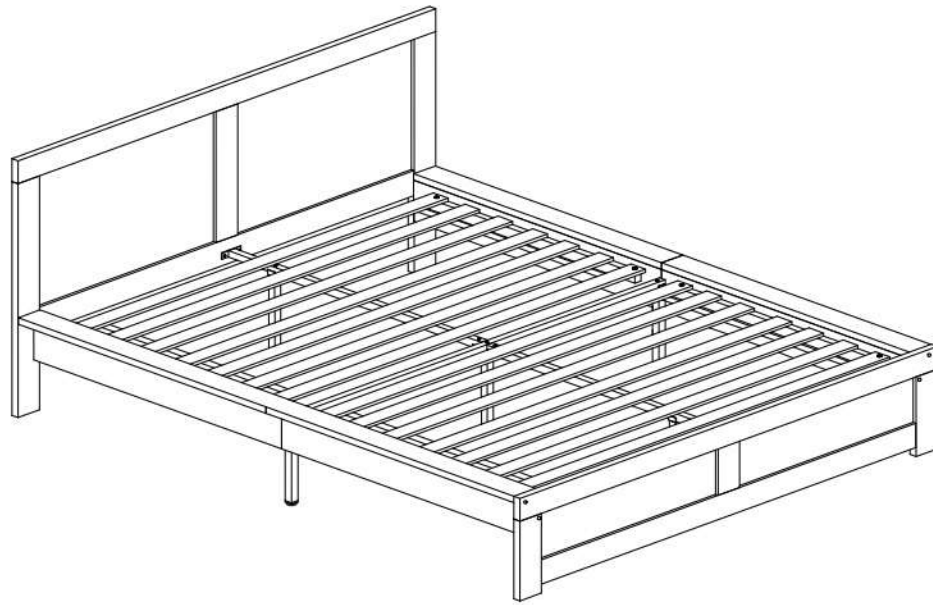


BED FRAME

MODEL:BF-NEO-D-WD



ASSEMBLY INSTRUCTIONS

Please read instructions carefully before assembly.



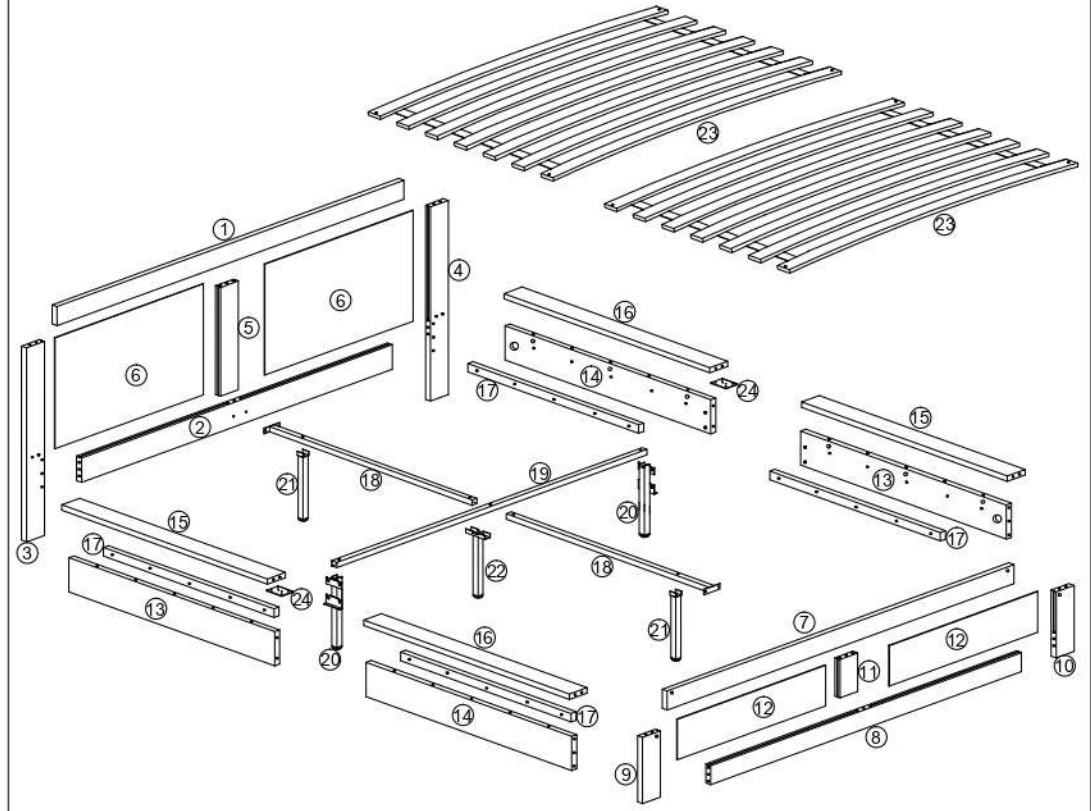
Two persons and tools required for assembly

HARDWARE

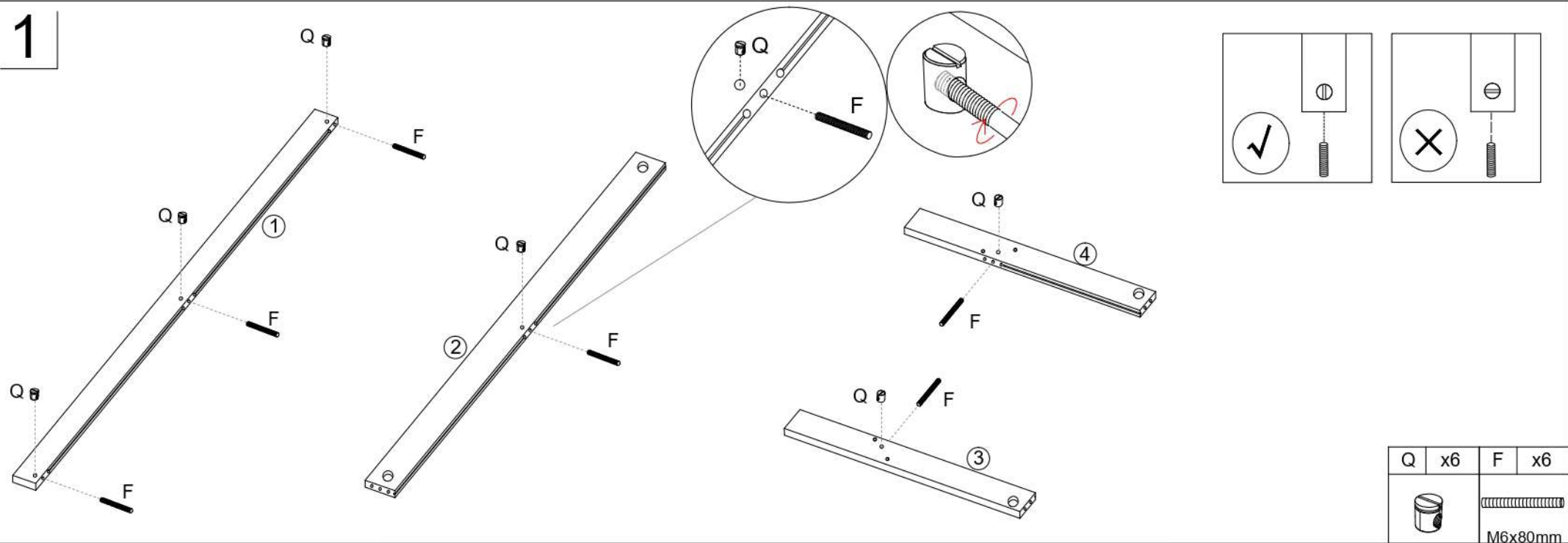
A x8	B x12	C x20	D x7	F x12	G x20		
M6x80mm	M6x20mm	Ø8x30mm	M8x40mm	M6x80mm			
H x20	I x8	J x16	K x1	L x1	M x1	N x4	
6mm	6mm	6mm	4mm	5mm	10mm		
O x12	P x12	Q x12	R x28	S x8	T x20	U x12	
7x35mm	15x12mm		Ø8x50mm	M4x30mm	M4x40mm	M4x20mm	

PARTS

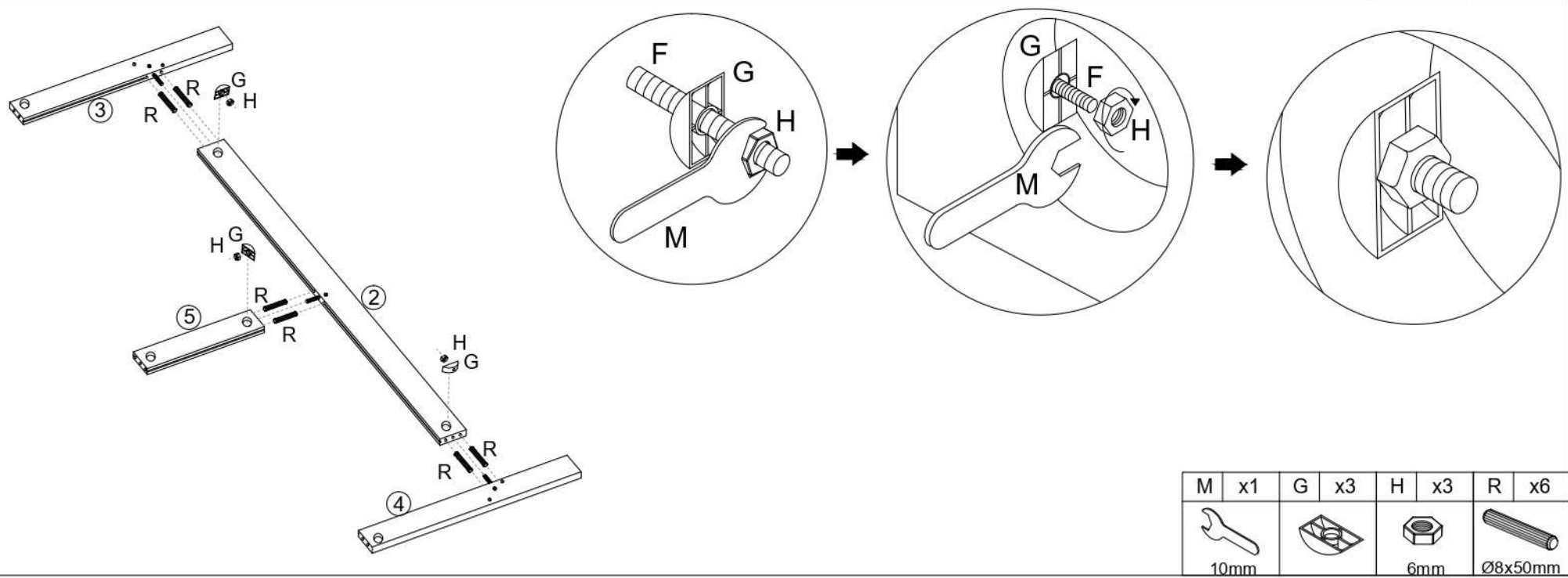
Wipe with dry cloths



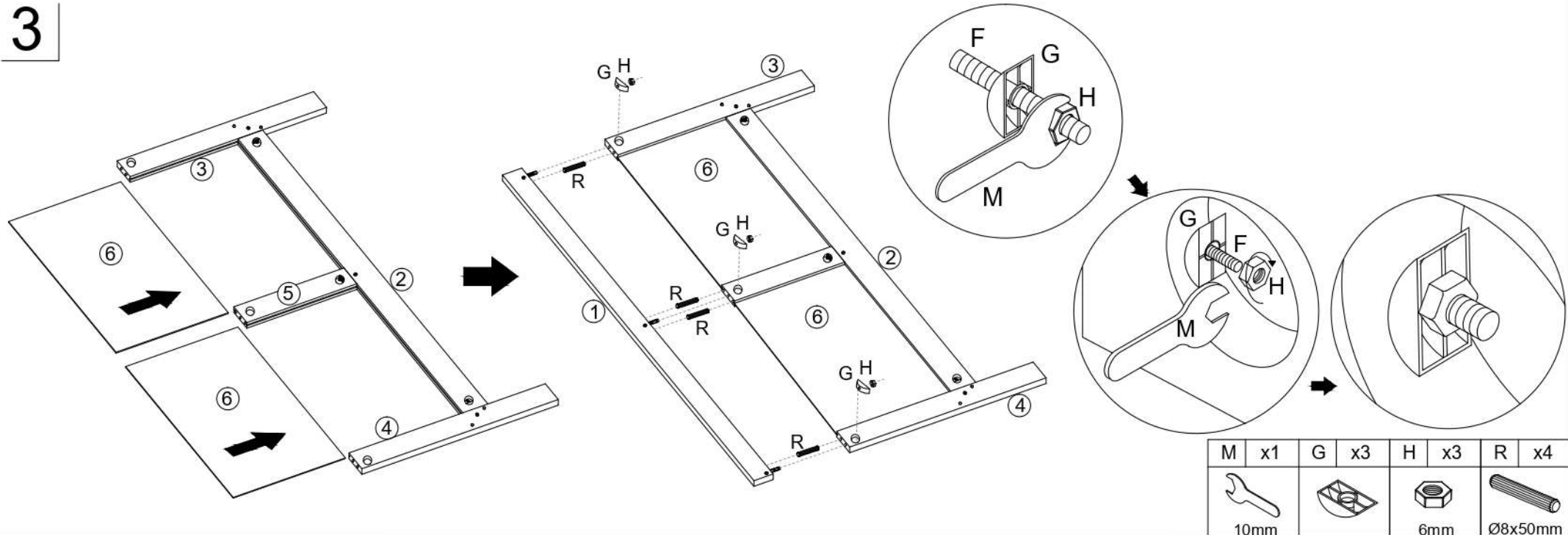
1



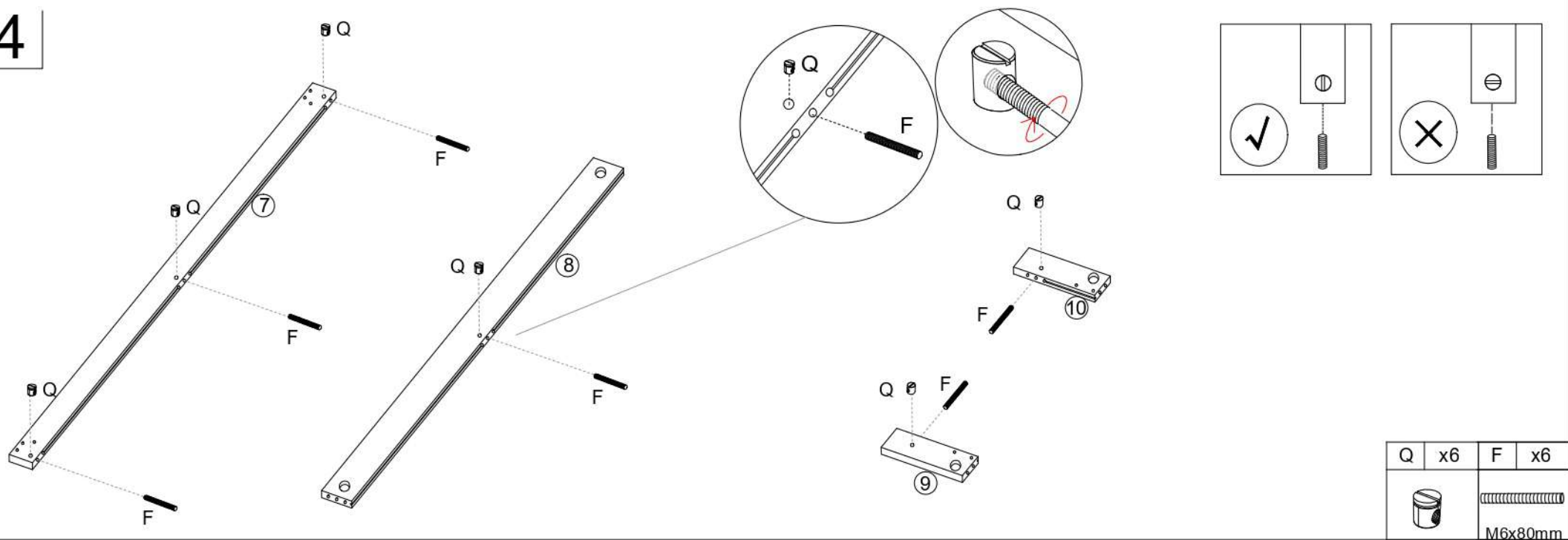
2



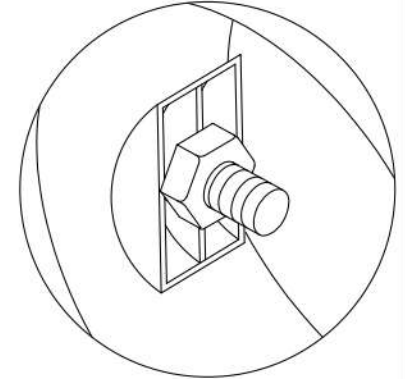
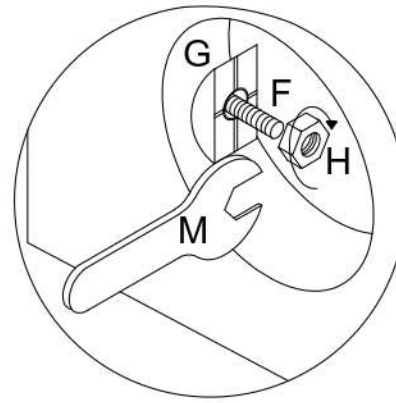
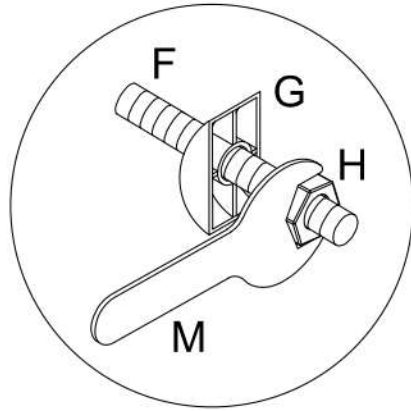
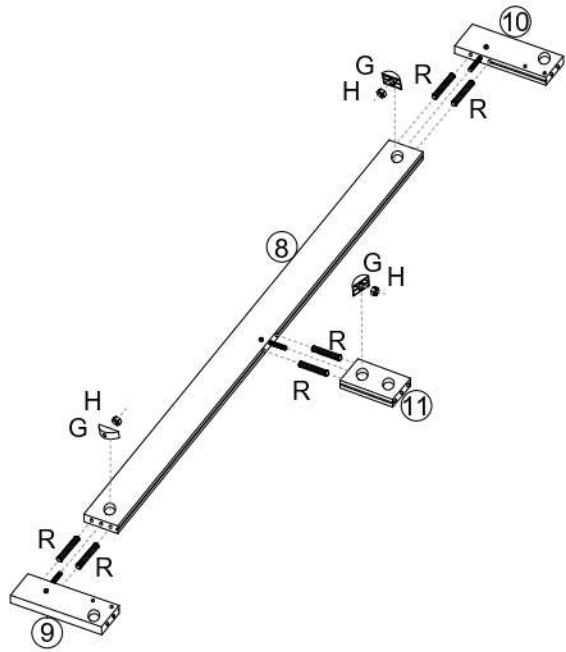
3







4

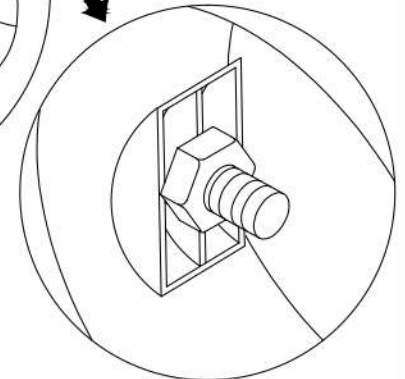
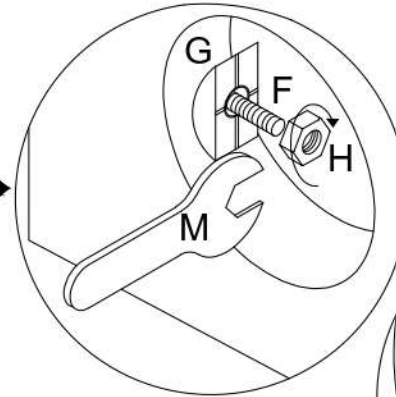
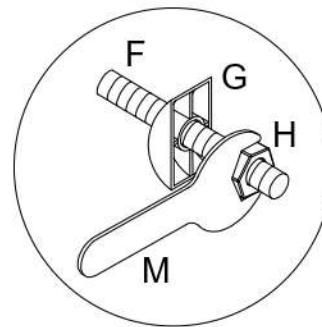
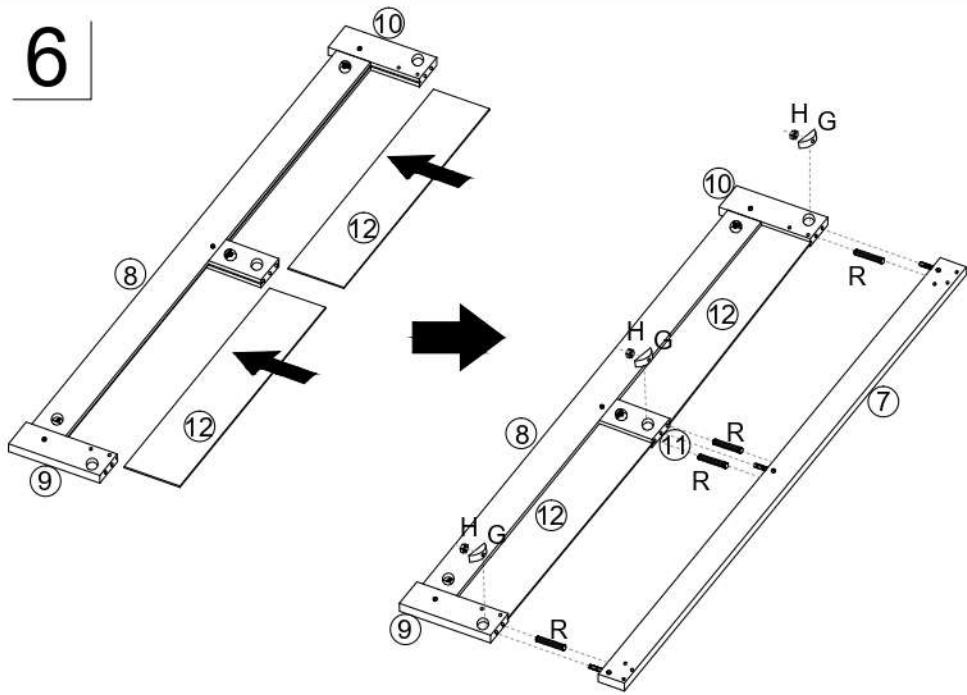






5



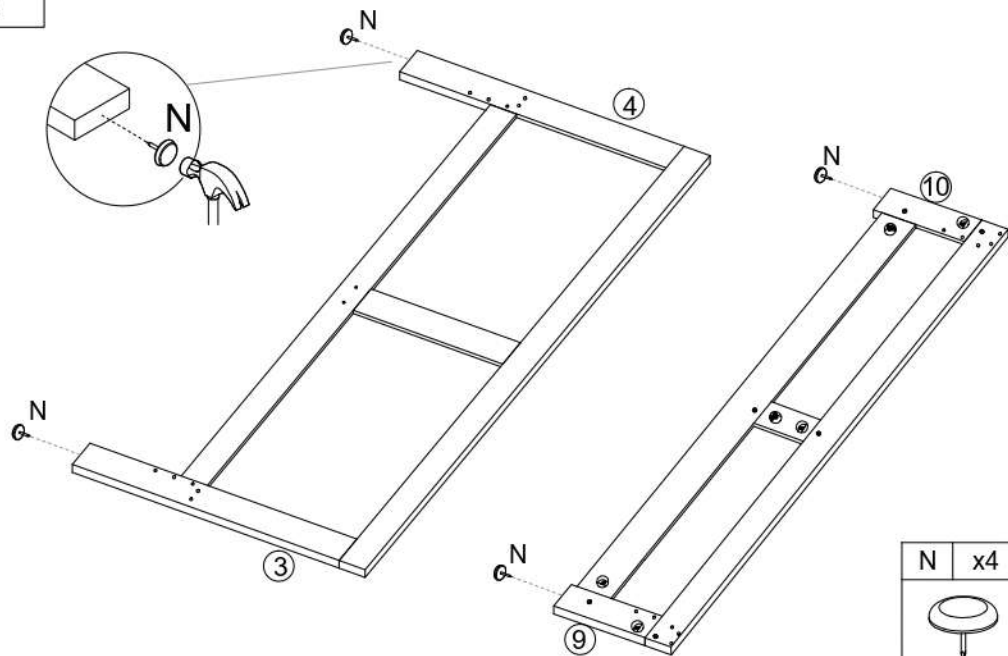
M	x1	G	x3	H	x3	R	x6
							
10mm				6mm		Ø8x50mm	


6



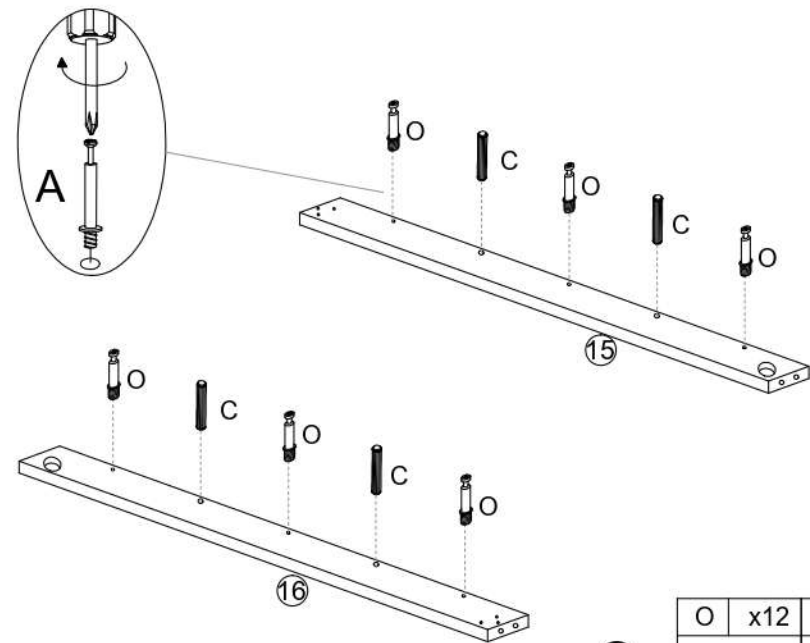
M	x1	G	x3	H	x3	R	x4
							
10mm				6mm		Ø8x50mm	

7





N	x4
	

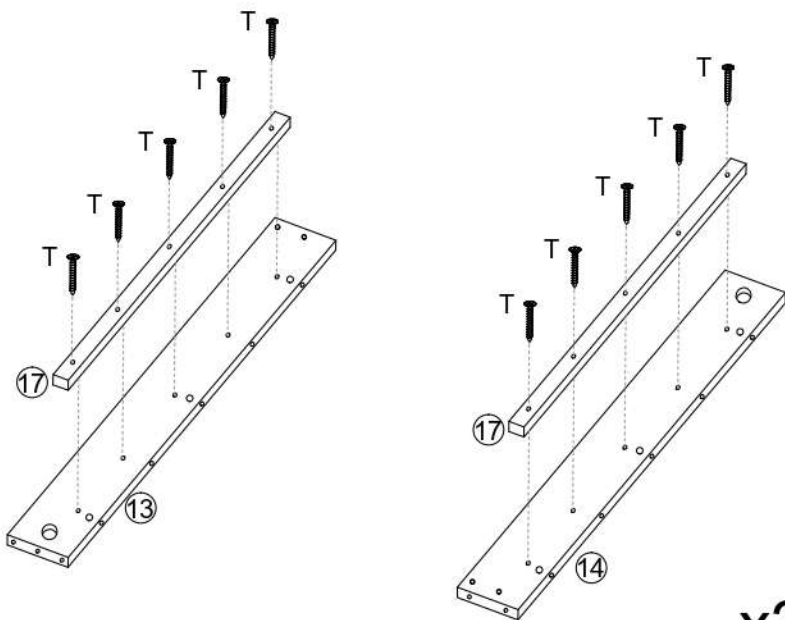
9



x2

O	x12	C	x8
			
7x35mm		Ø8x30mm	

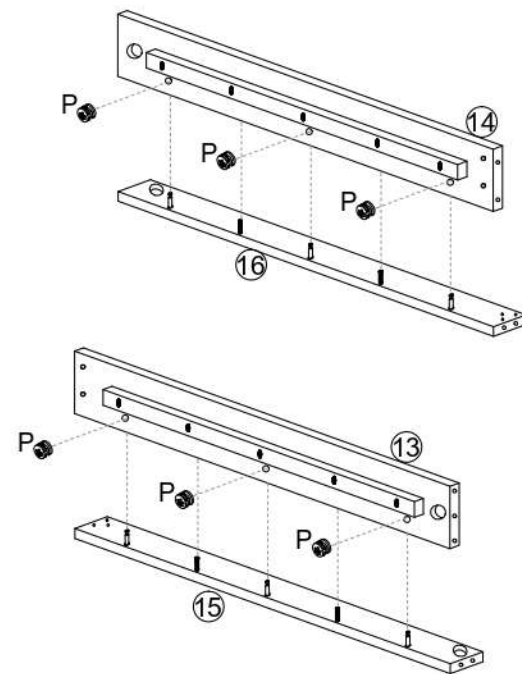
8




x2

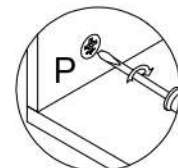
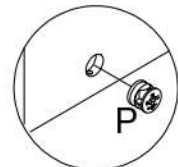
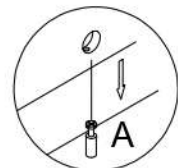
T	x20
	
M4x40mm	

10

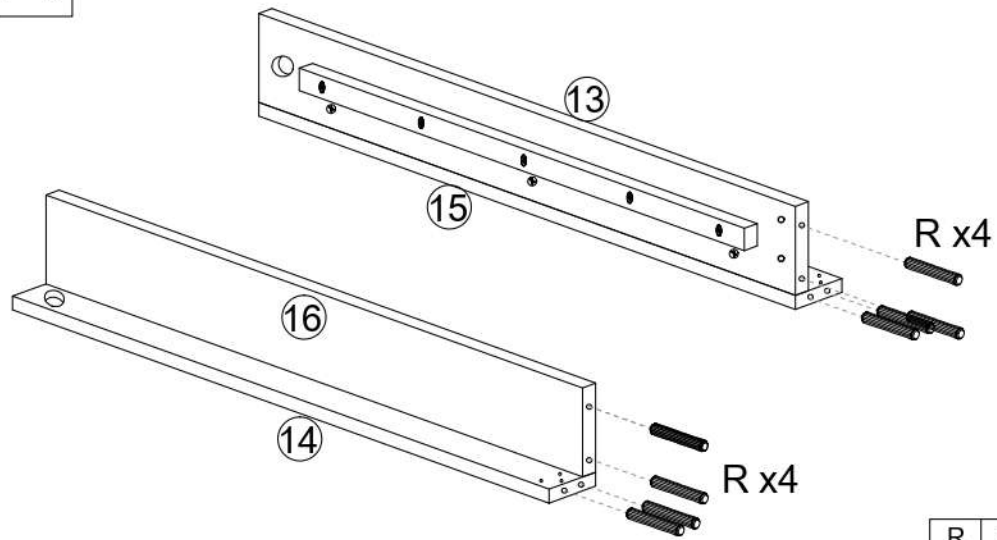


x2

P	x12
	
15x12mm	

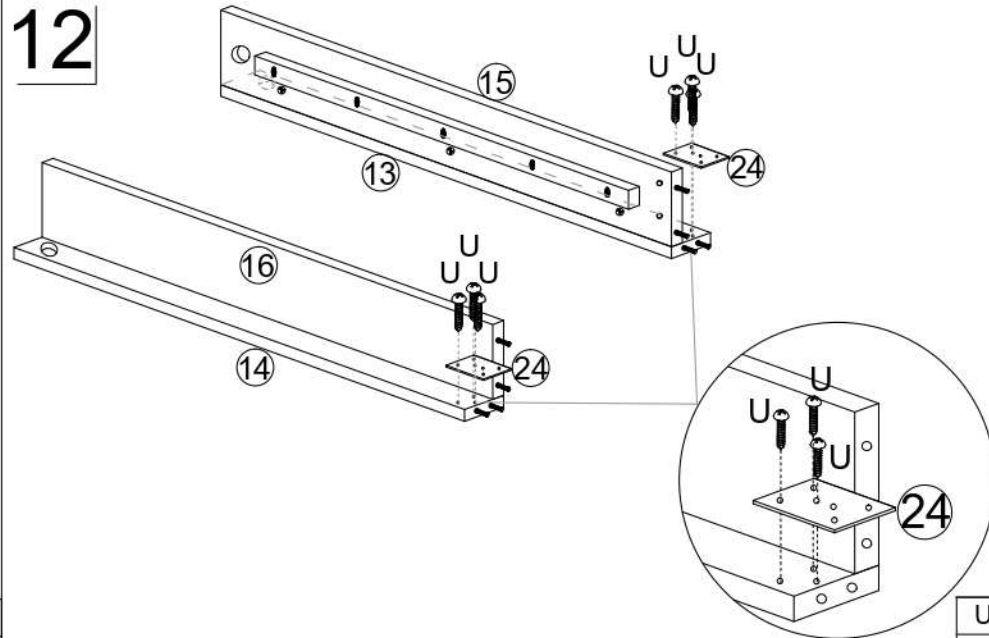


11



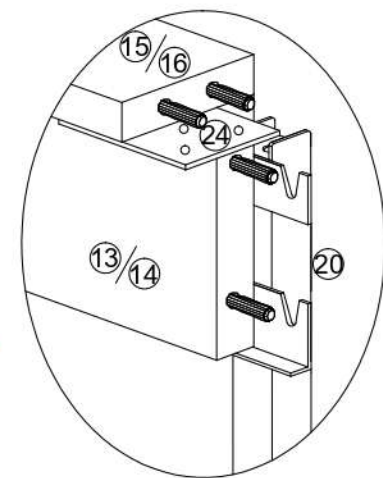
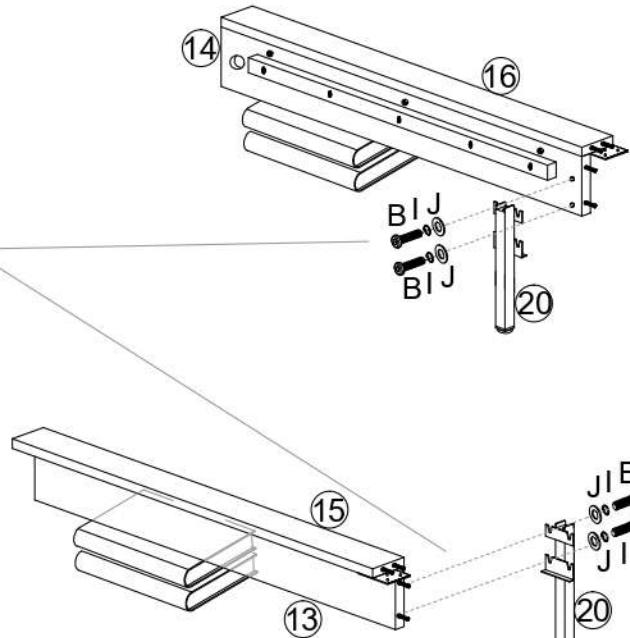
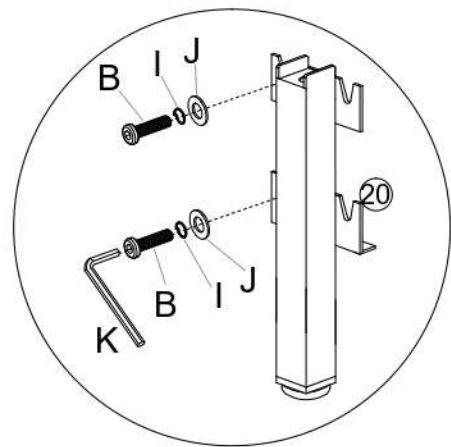
R	x8
Ø8x50mm	

12

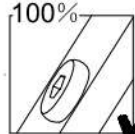
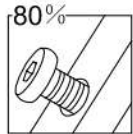


U	x6
M4x20mm	

13

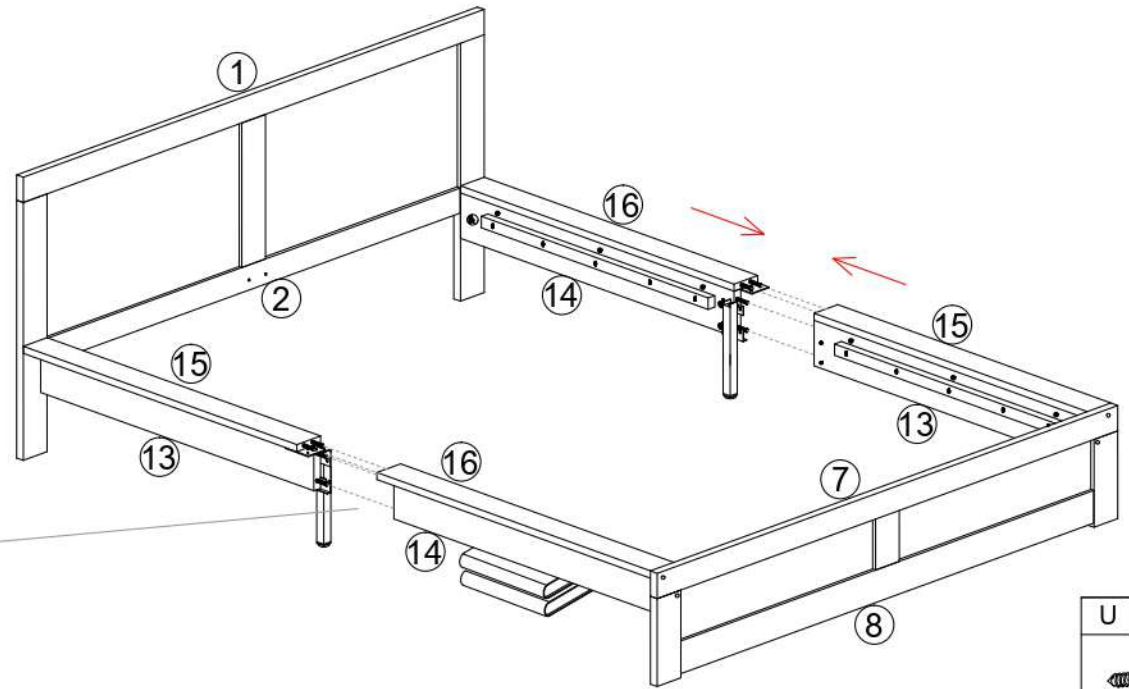
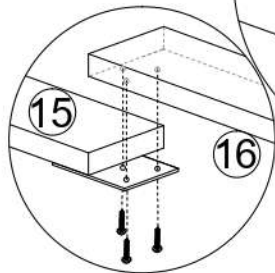
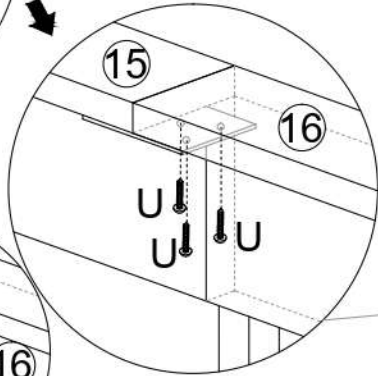
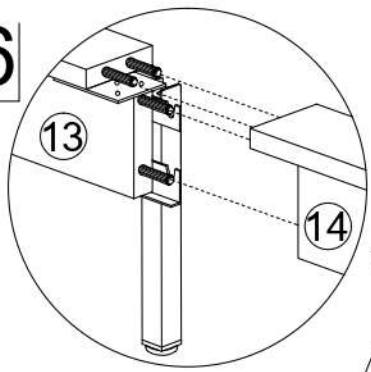


80% tightened only



B	x4	I	x4	J	x4	K	x1
M6x20mm		6mm		6mm		4mm	

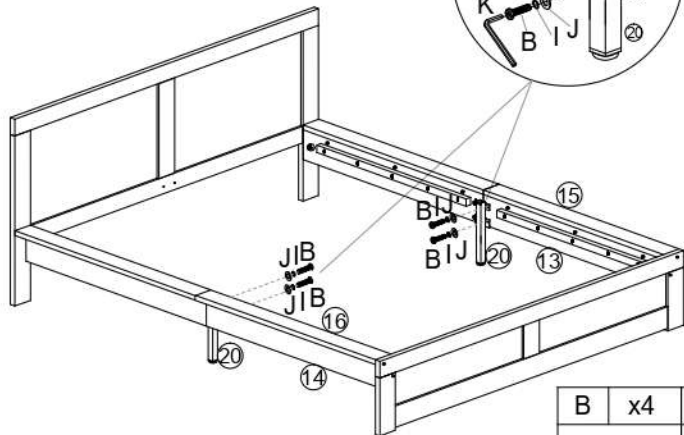
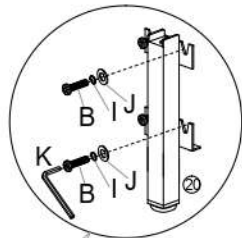
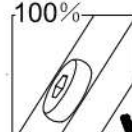
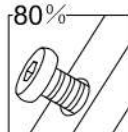
16



U	x6
M4x20mm	

17

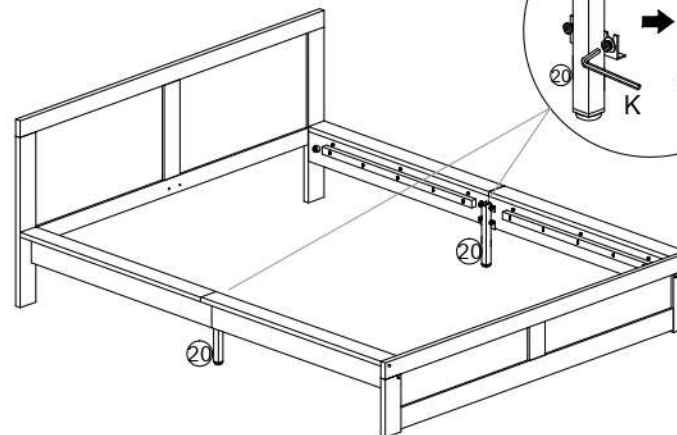
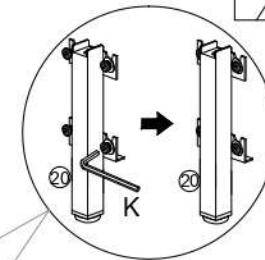
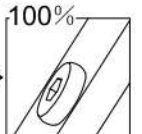
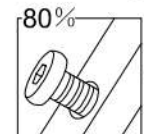
80% tightened only



B	x4	I	x4	J	x4	K	x1
M6x20mm		6mm		6mm		4mm	

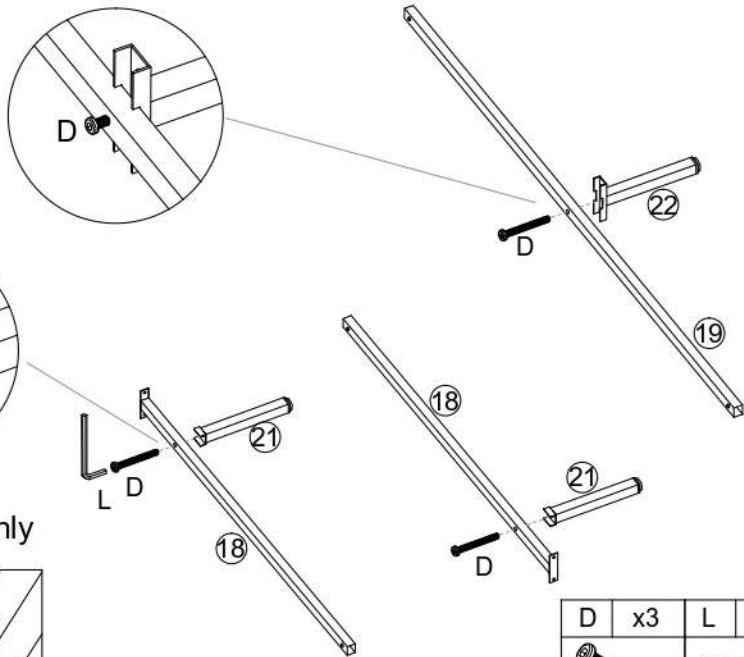
18

100% tightened now

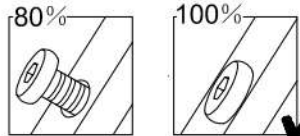


K	x1
4mm	

19

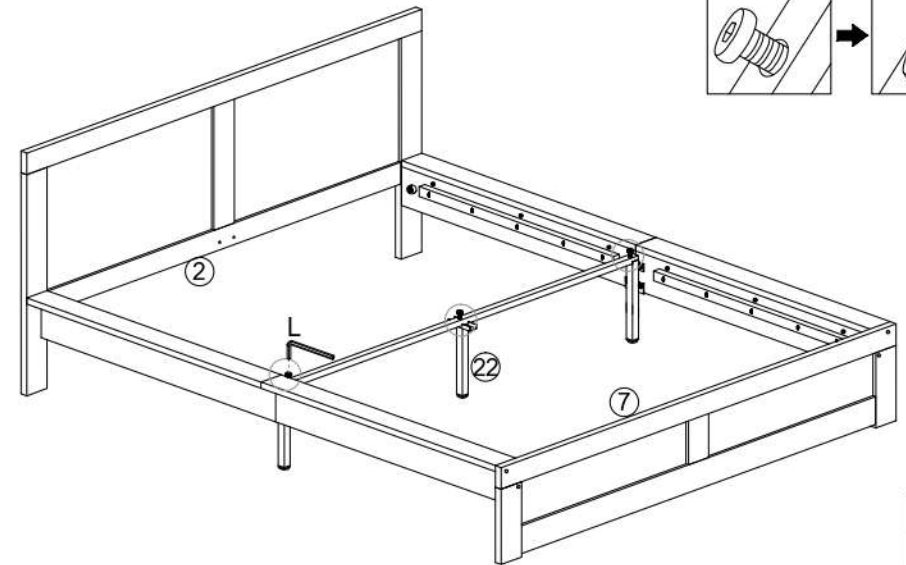


80% tightened only

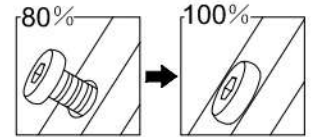


D	x3	L	x1
M8x40mm		5mm	

21

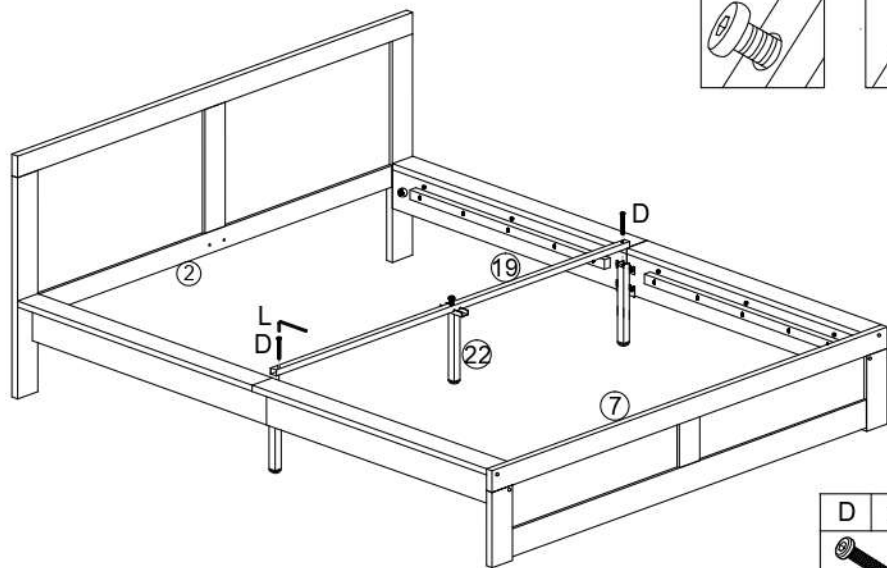


100% tightened now

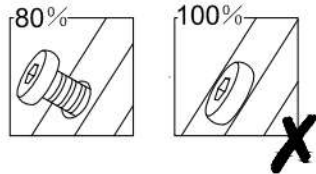


L	x1
5mm	

20

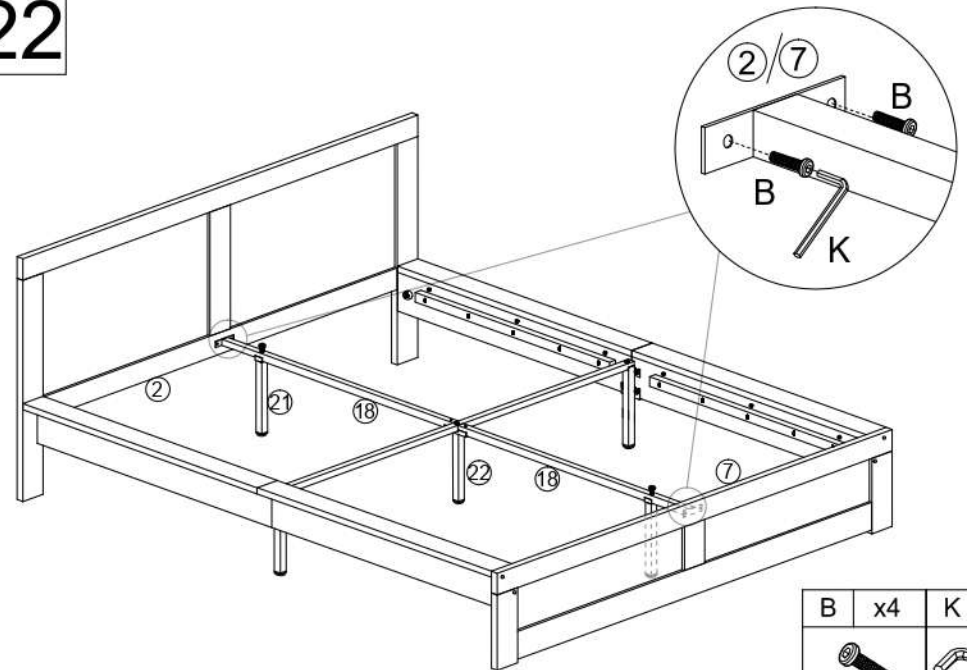


80% tightened only



D	x2	L	x1
M8x40mm		5mm	

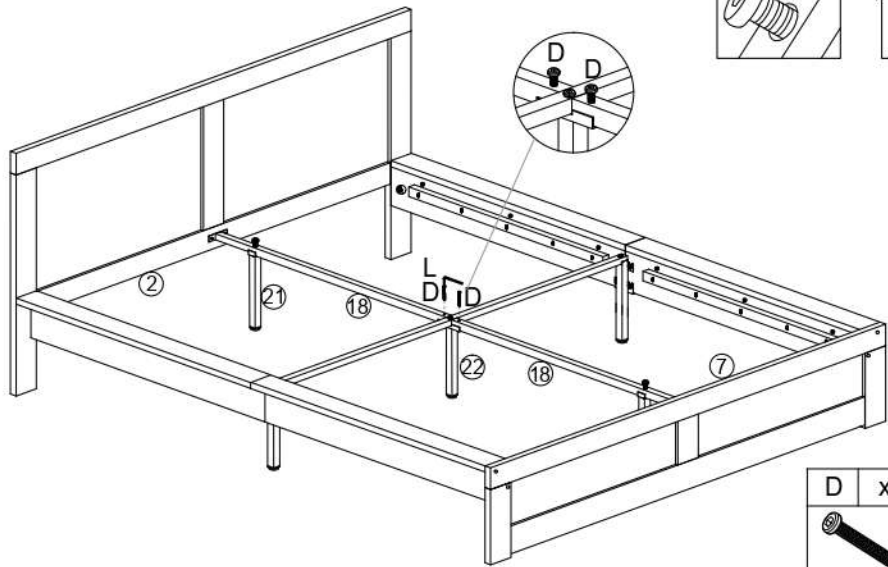
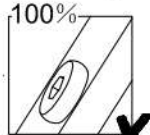
22



B	x4	K	x1
M6x20mm		4mm	

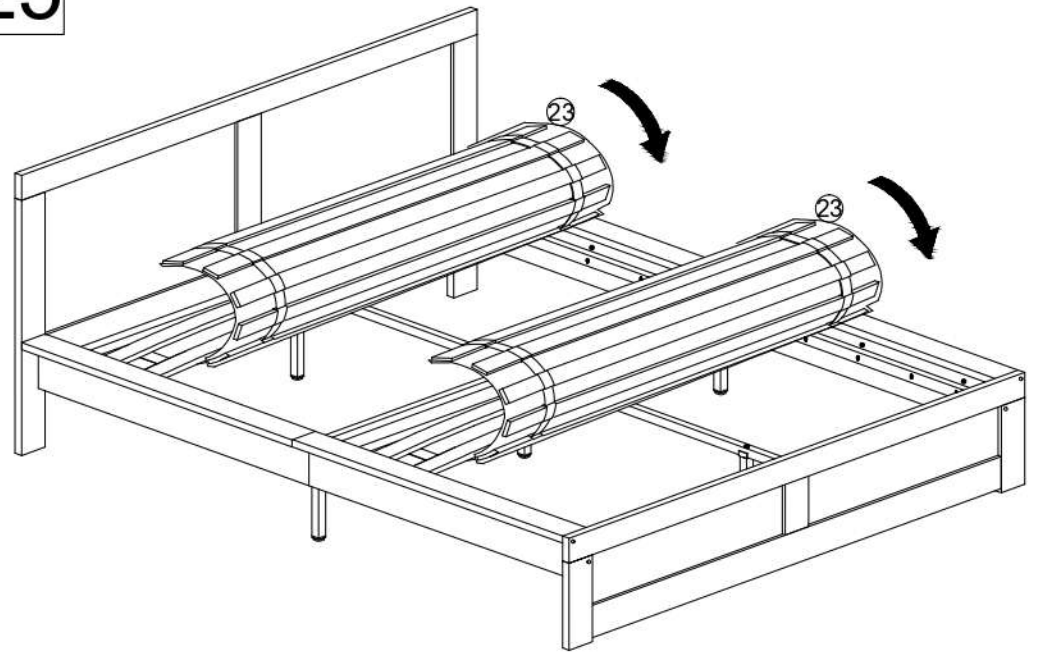
23

80% tightened only



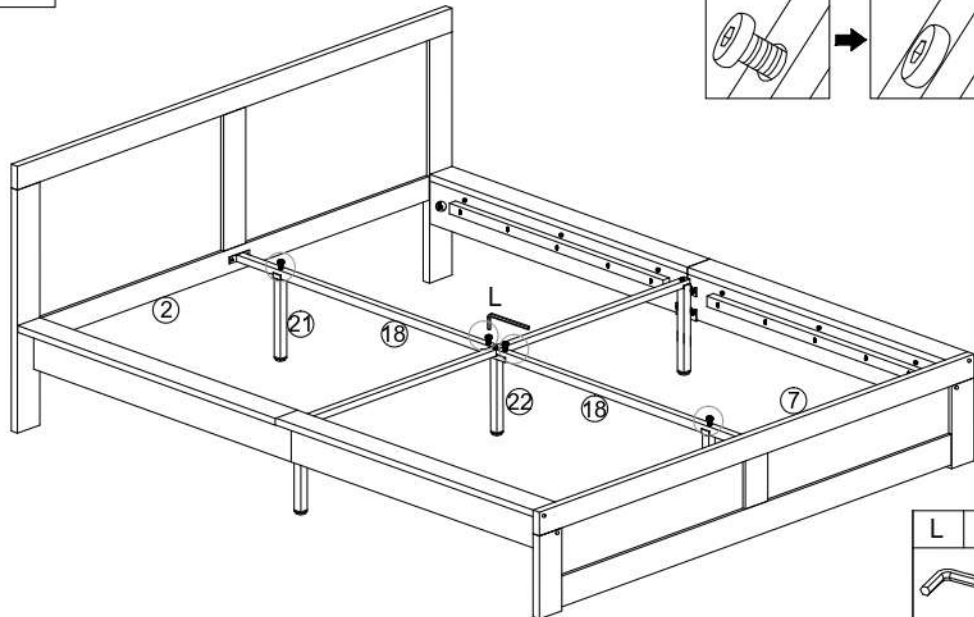
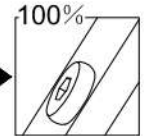
D	x2	L	x1
M8x40mm		5mm	

25



24

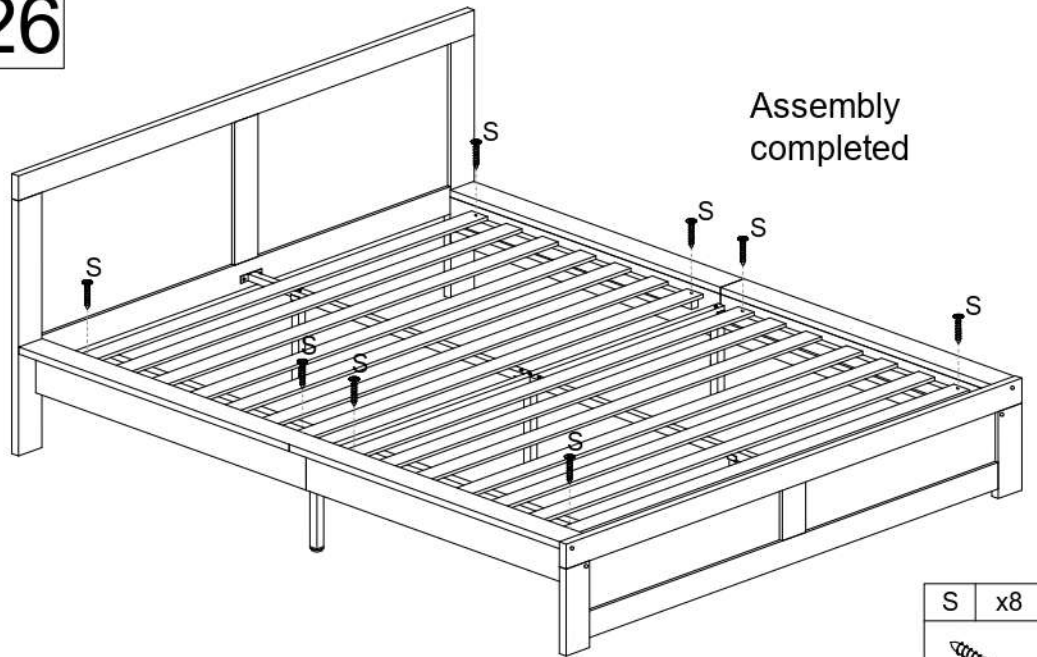
100% tightened now



L	x1
5mm	

26

Assembly completed



S	x8
M4x30mm	