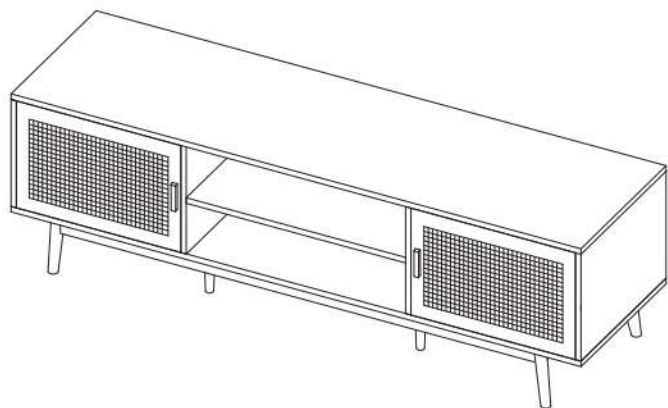


ENTERTAINMENT UNIT

MODEL:EU-A9-160-WD



ASSEMBLY INSTRUCTIONS

Please read instructions carefully before assembly.



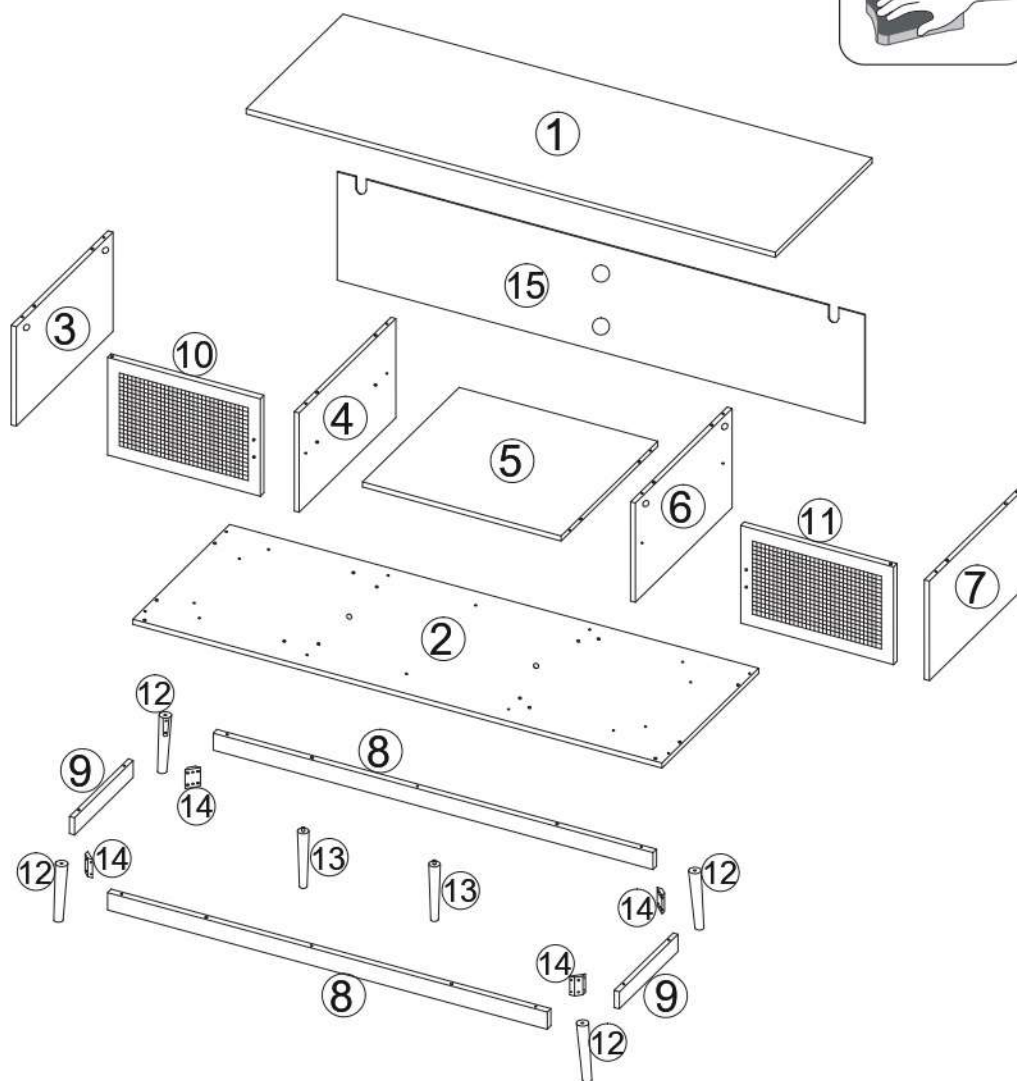
Two persons and tools required for assembly

HARDWARE

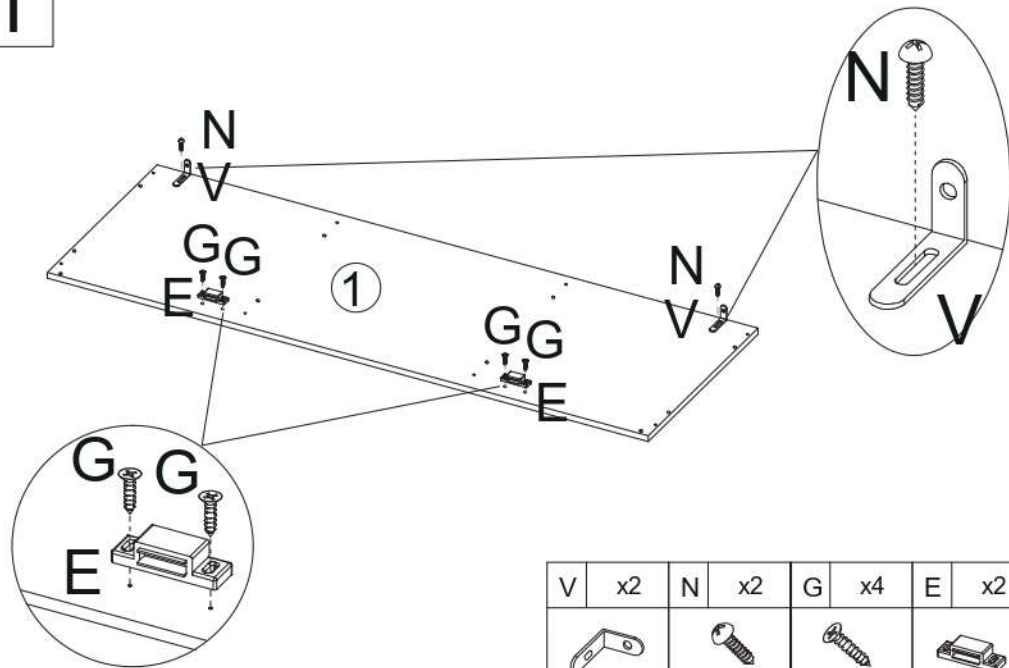
A	x8	B	x8	C	x24	D	x22	E	x2	F	x2
7x35mm	15x12mm	Ø6x30mm	M4x40mm								
G	x6	H	x22	I	x1	J	x8	K	x4	L	x2
M3x14mm			M6								
M	x24	N	x2	O	x8	P	x4	Q	x8	R	x2
	M4x25mm	M6x60mm									
S	x4	T	x16	U	x2	V	x2	X	x2		
M4x18mm	M4x25mm			M4x30mm							





PARTS

Wipe with dry cloths

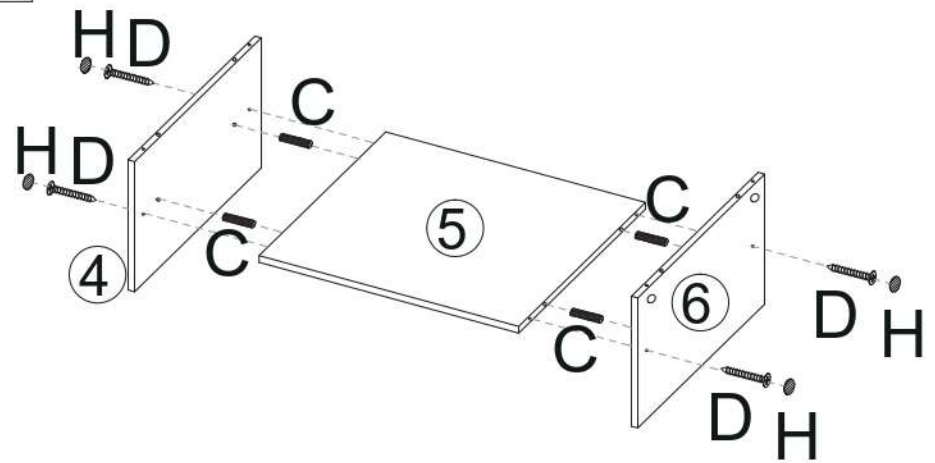





1



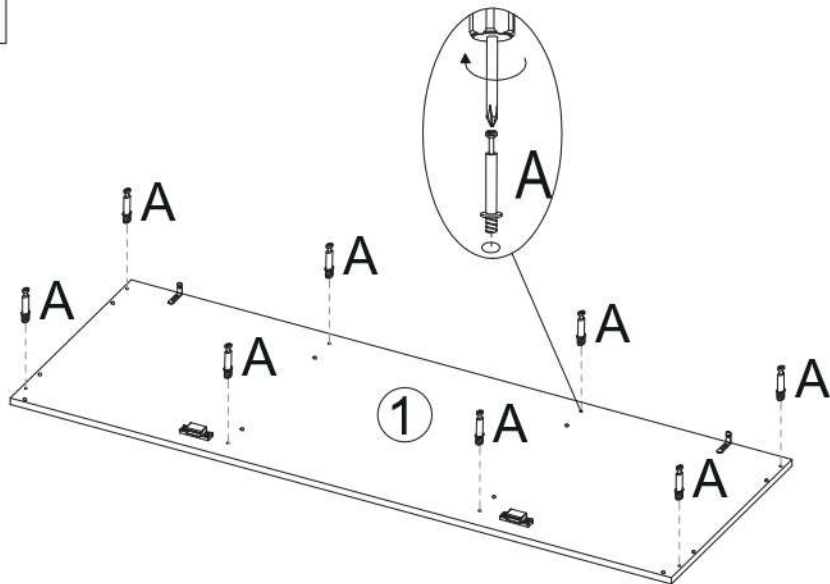
V	x2	N	x2	G	x4	E	x2
							
		M4x14mm		M3x14mm			


3



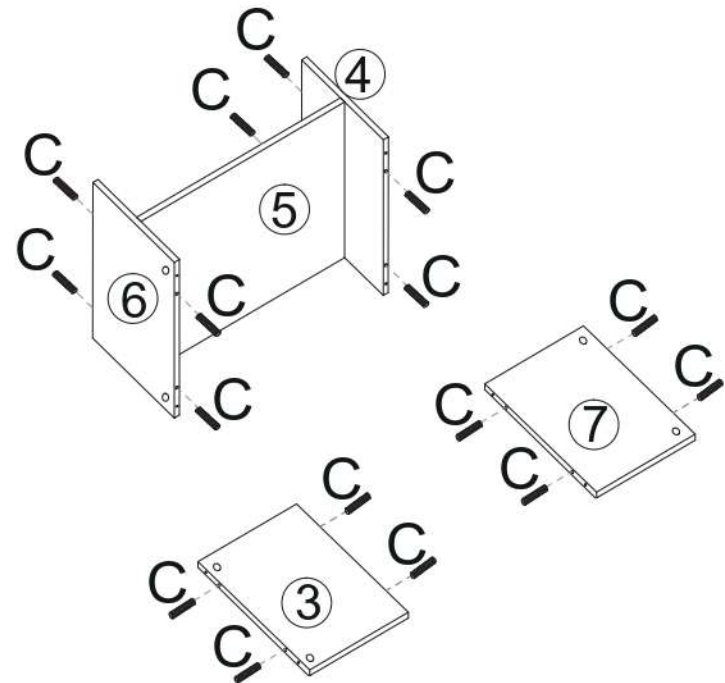
C	x4	D	x4	H	x4
					
Ø6x30mm		M4x40mm			

2



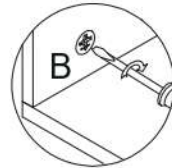
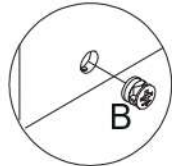
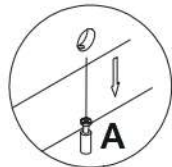
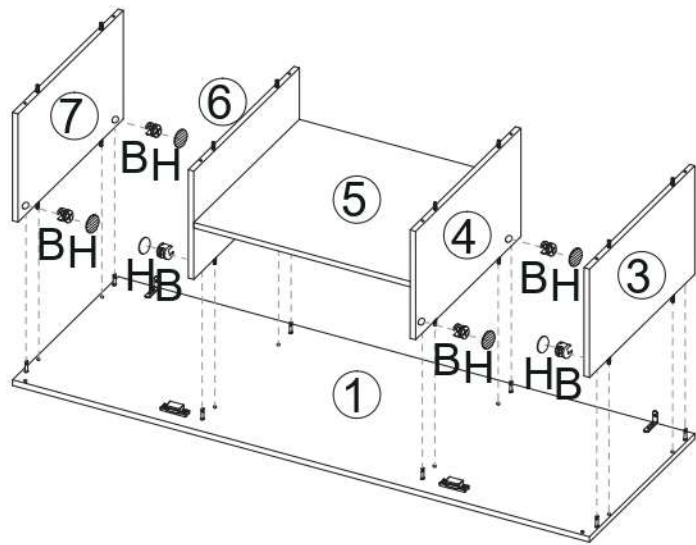
A	x8
	
7x35mm	



4



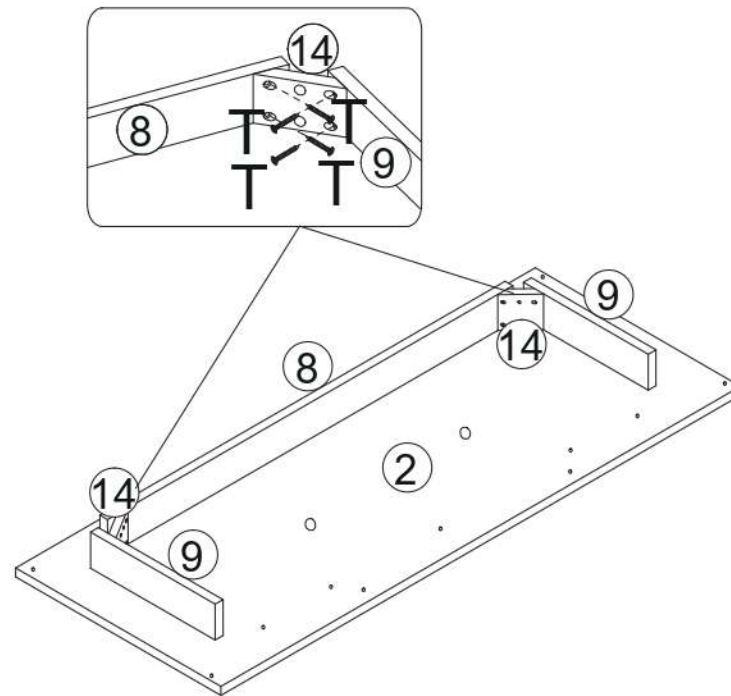
C	x16
	
Ø6x30mm	

5



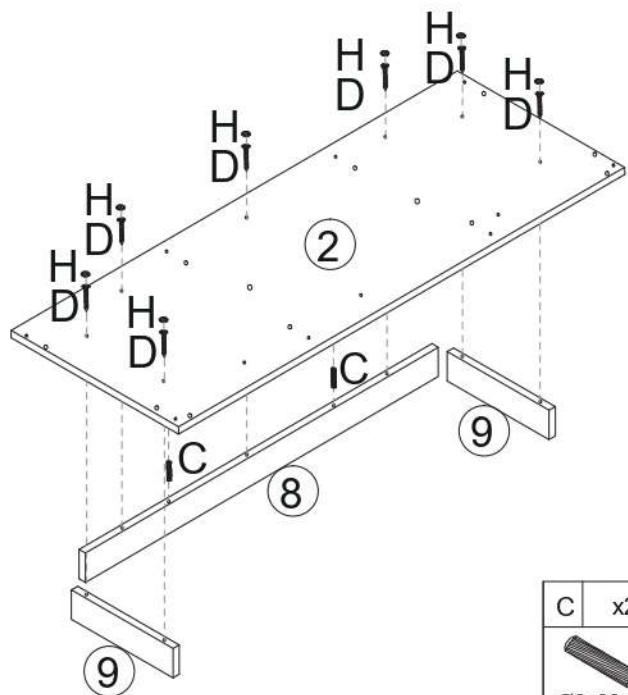
B	x8	H	x8
			
15x12mm			




7



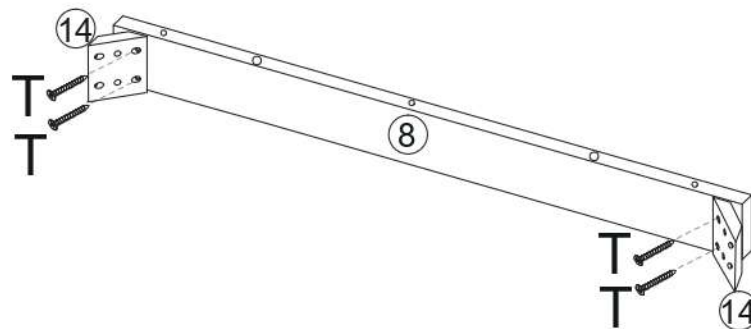
T	x8
	
M4x25mm	


6



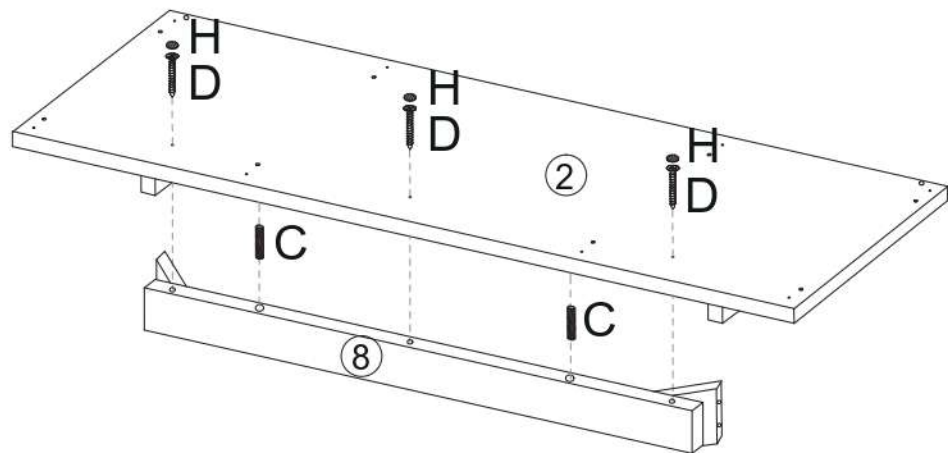
C	x2	D	x7	H	x7
					
Ø6x30mm		M4x40mm			

8



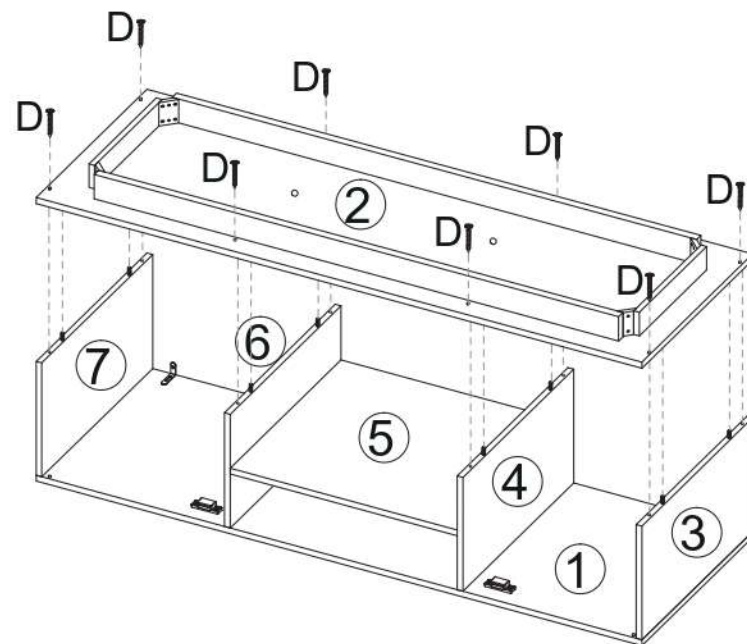
T	x4
	
M4x25mm	

9



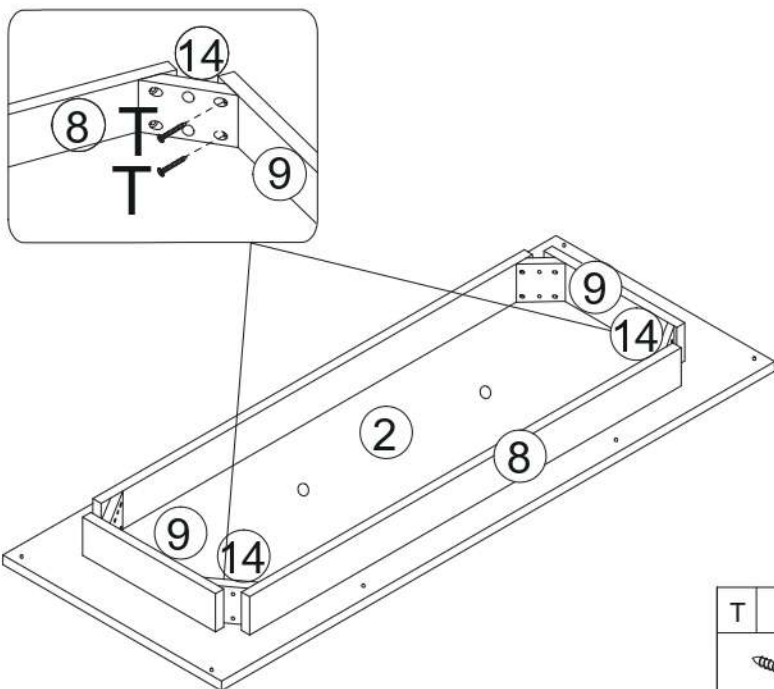
C	x2	D	x3	H	x3
Ø6x30mm		M4x40mm			

11



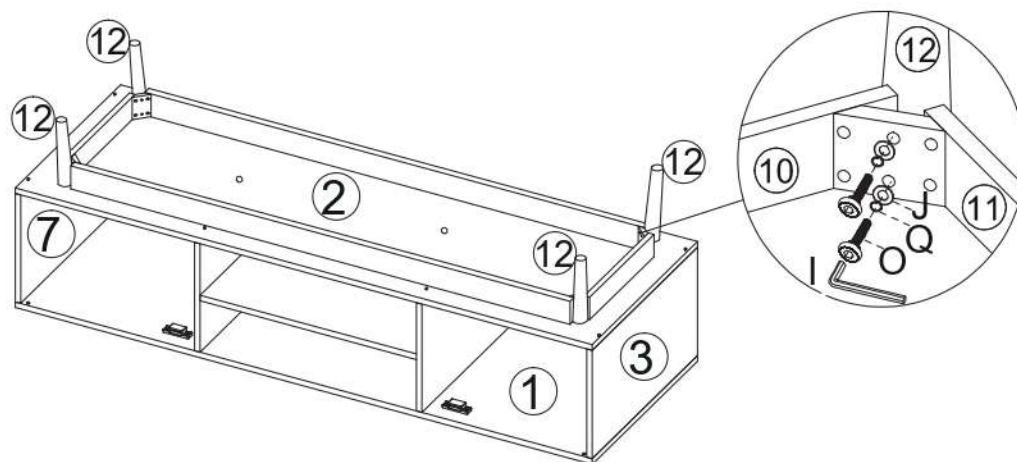
D	x8
M4x40mm	

10



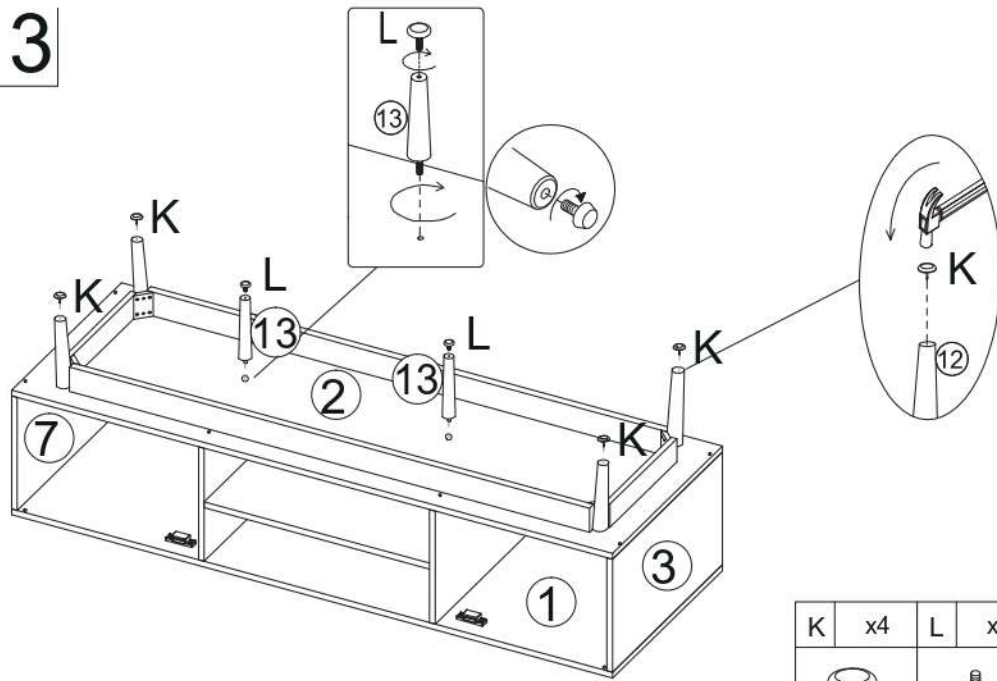
T	x4
M4x25mm	



12



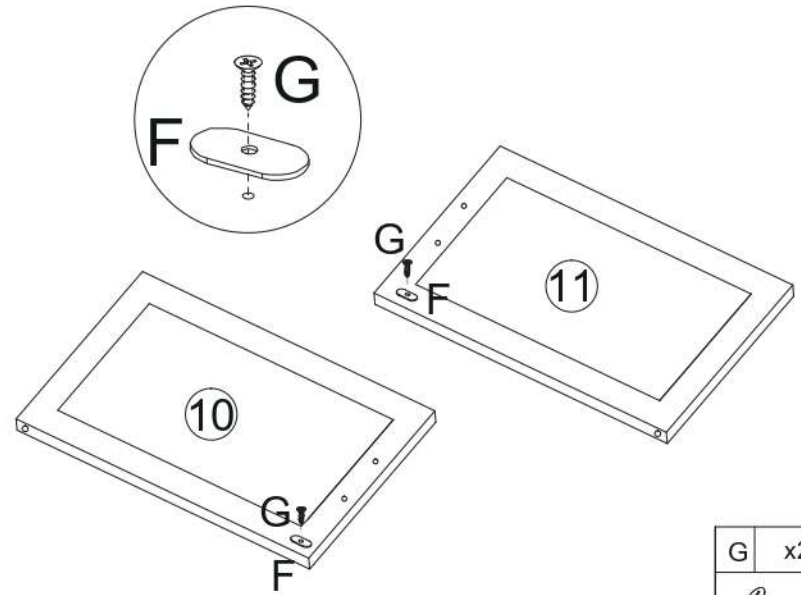
I	x1	J	x8	O	x8	Q	x8
		M6		M6x60mm			



13



K	x4	L	x2
			

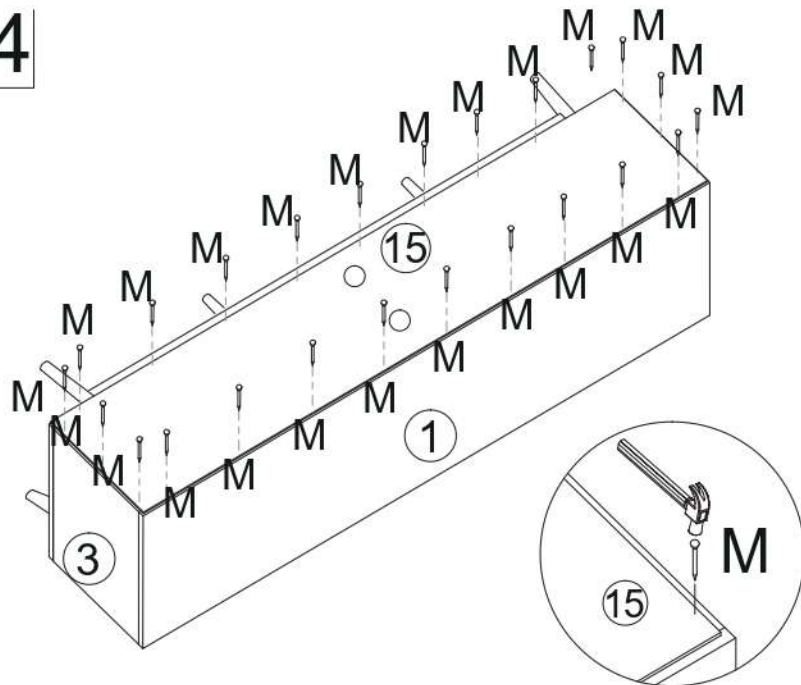
15







G	x2	F	x2
			

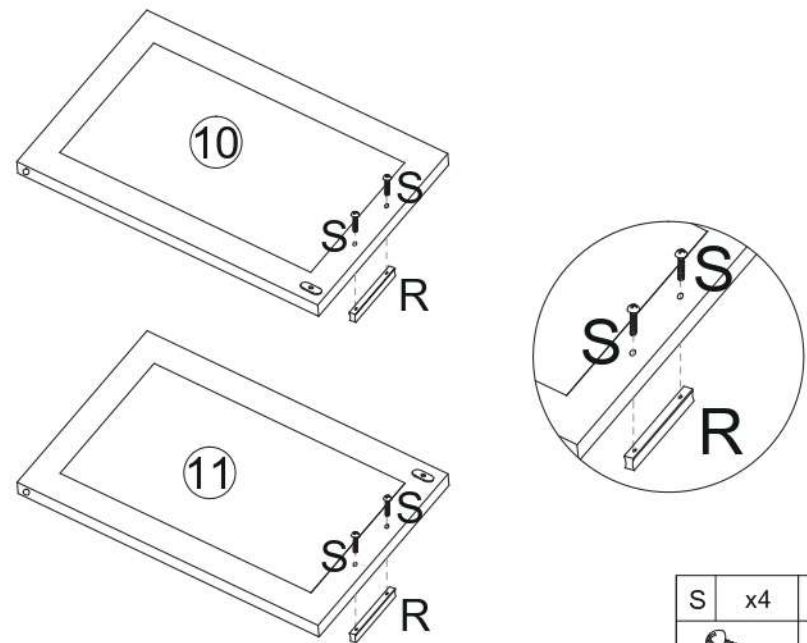
M3x14mm



14



	
	
	
M	x24
	

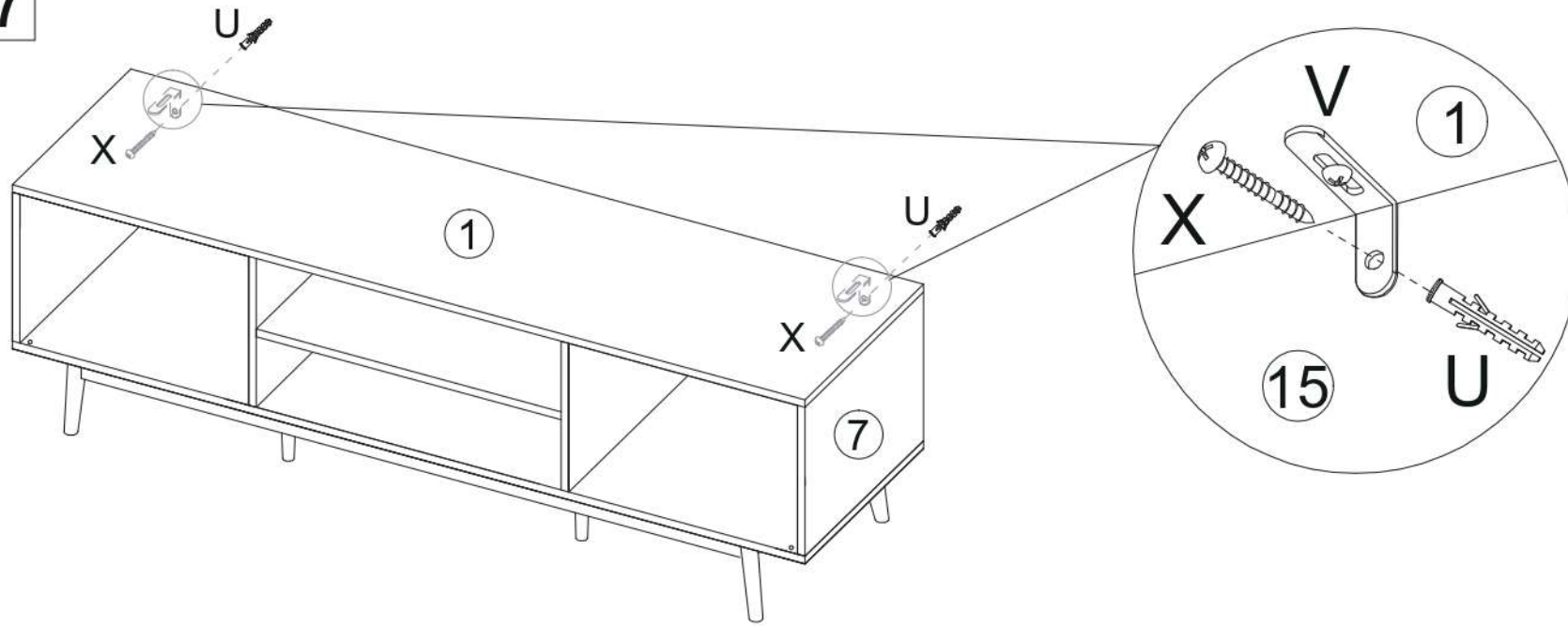
16



S	x4	R	x2
			



M4x18mm

17

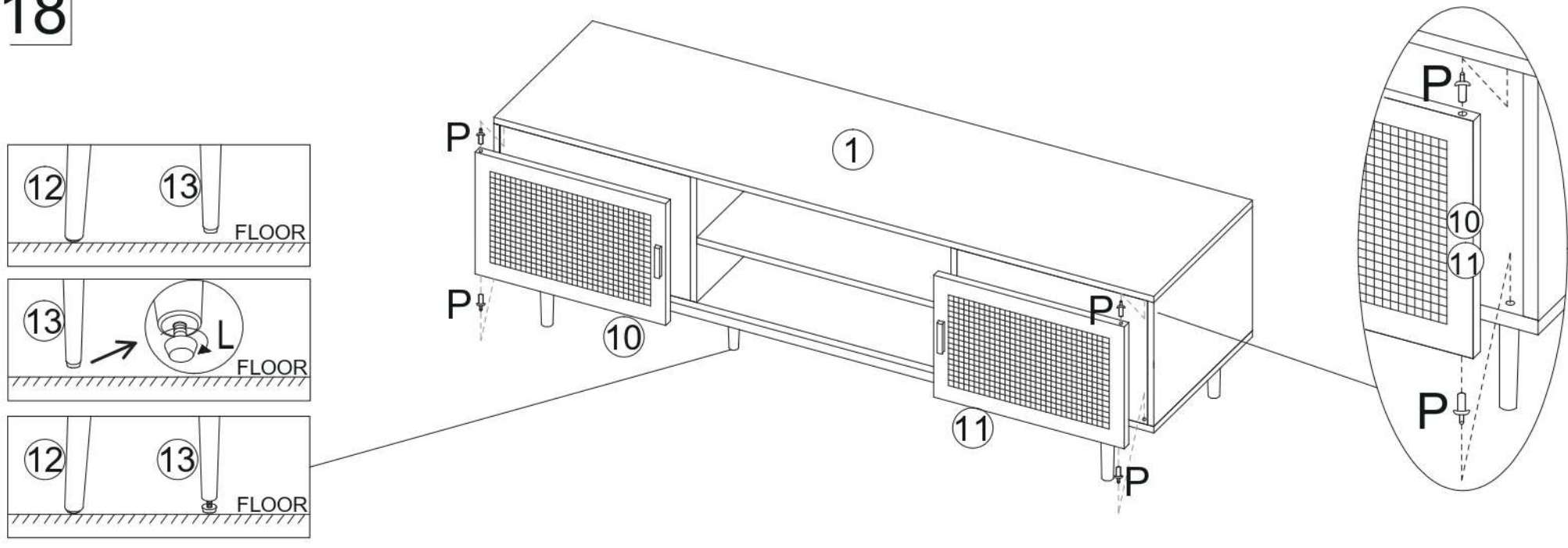


Pre-drilled hole at wall



X	x2	U	x2
			
M4x30mm			

18



P	x4
