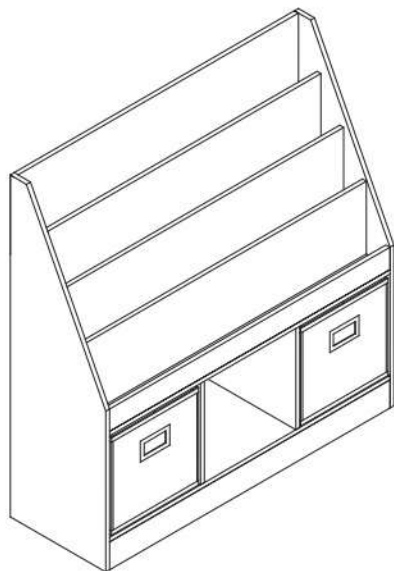


KID STORAGE

MODEL:ST-KID-BINS-A43-WHGY



ASSEMBLY INSTRUCTIONS

Please read instructions carefully before assembly.



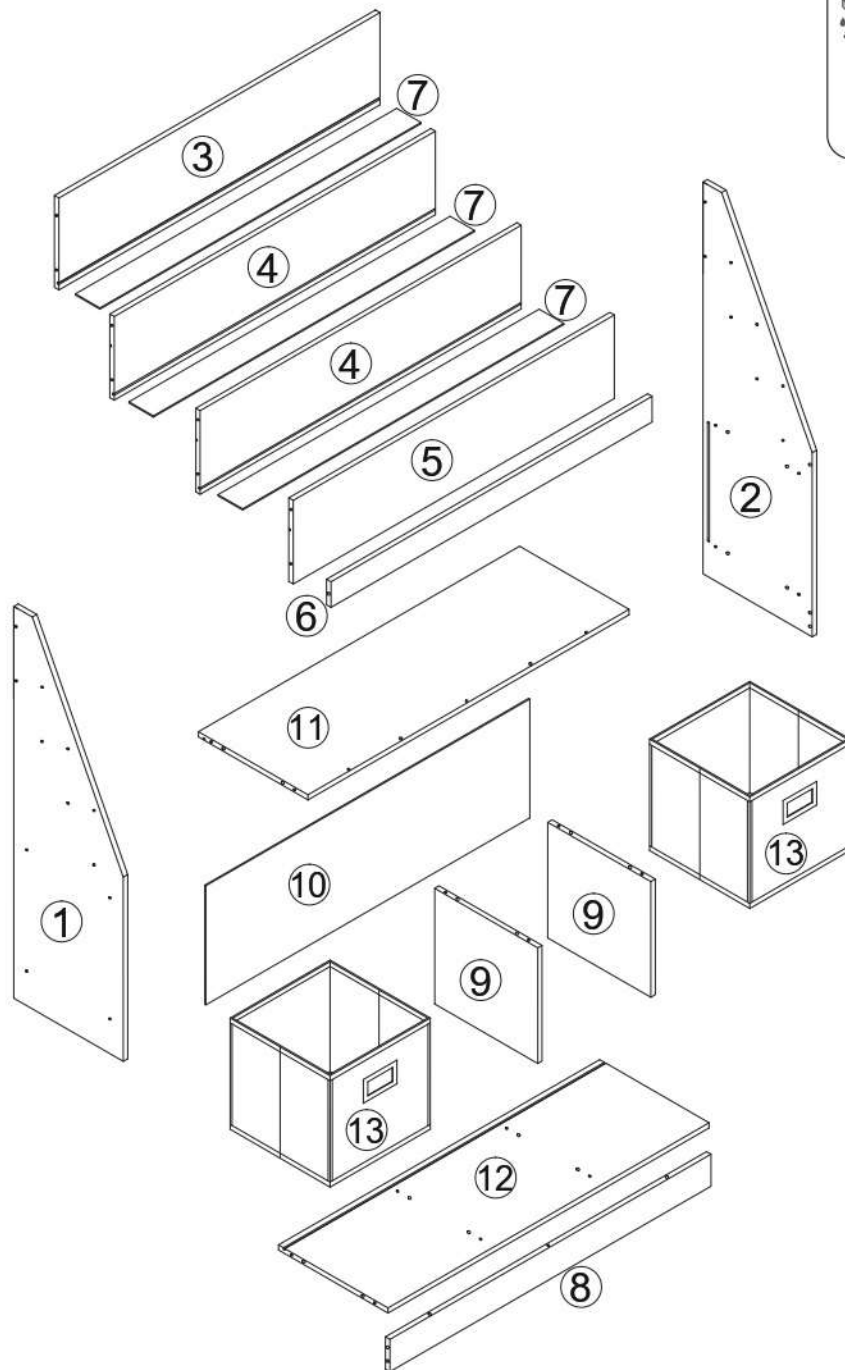
Two persons and tools required for assembly

HARDWARE

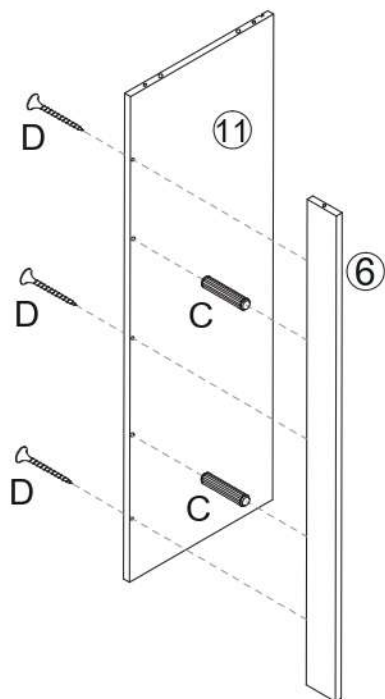
A	x5	B	x5	C	x26	D	x31	E	x28
7x35mm		12x10mm		Ø8x30mm		M4x40mm			
F	x8	G	x2	H	x2	I	x2	J	x2
M3x14mm				M4x12mm		M4x30mm			
K	x6								



PARTS

Wipe with dry cloths

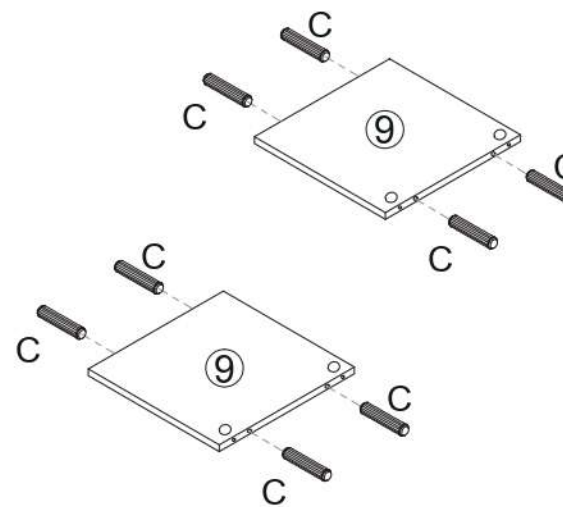



1



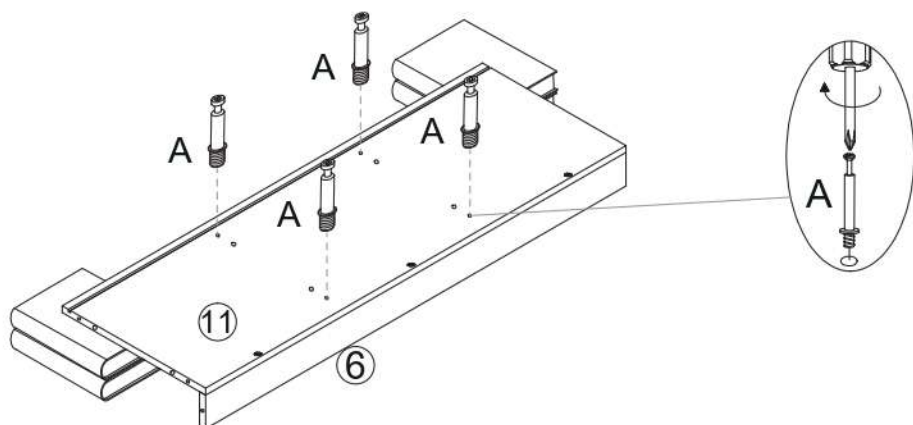
C	x2	D	x3
			
Ø8x30mm		M4x40mm	

3



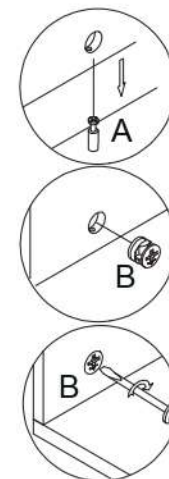
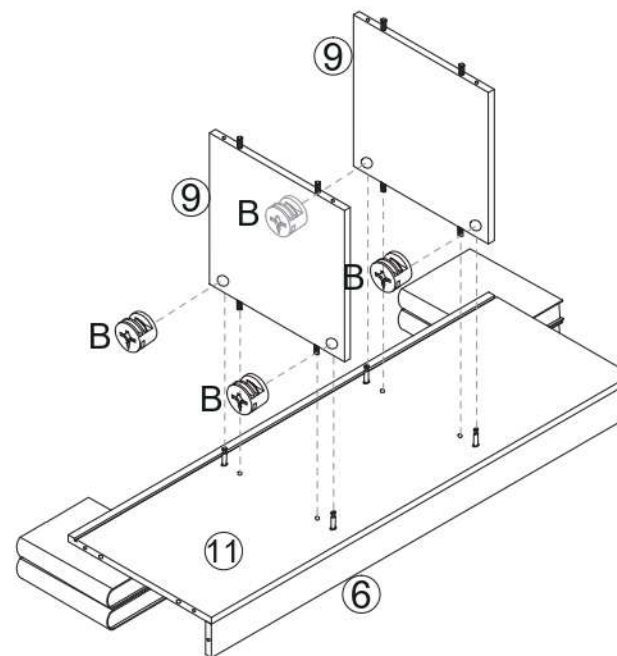
C	x8
	
Ø8x30mm	


2



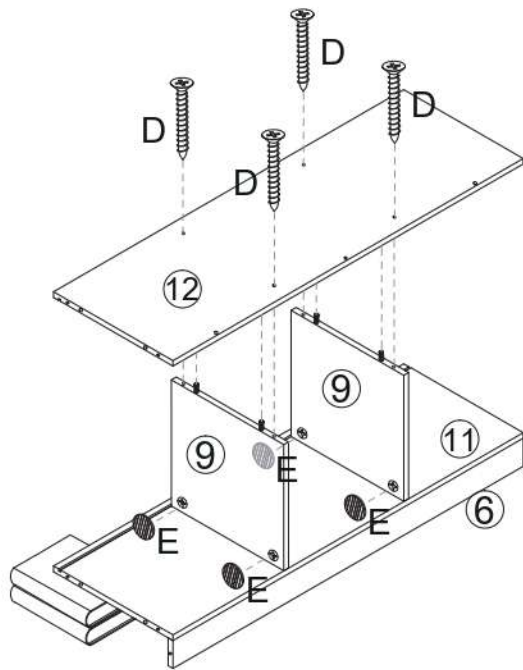
A	x4
	
7x35mm	



4



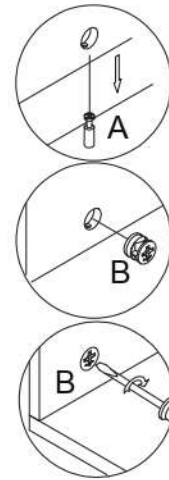
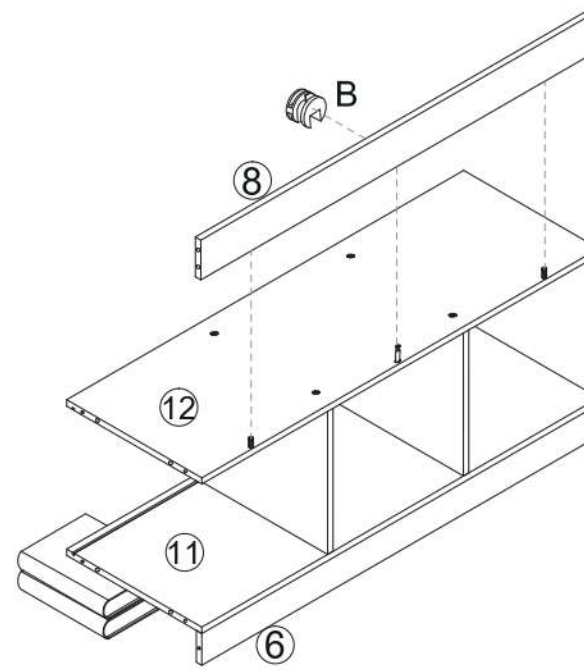
B	x4
	
12x10mm	

5



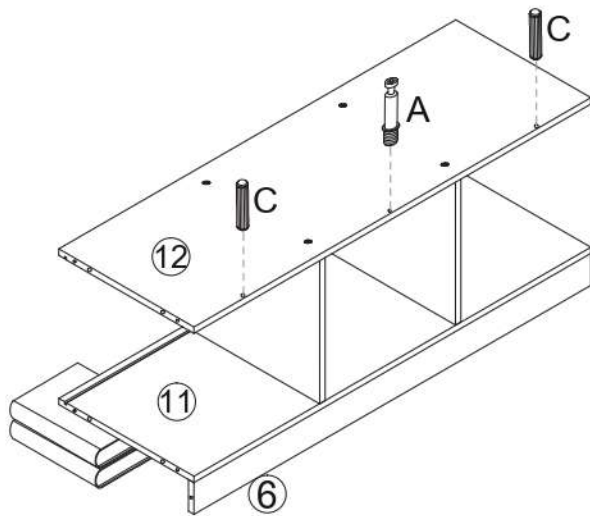
D	x4	E	x4
			
M4x40mm			



7



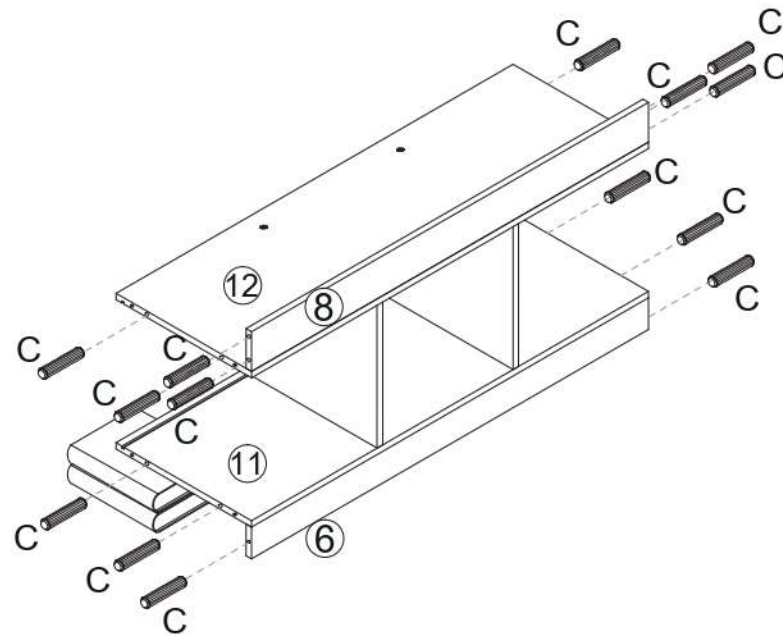
B	x1
	
12x10mm	

6



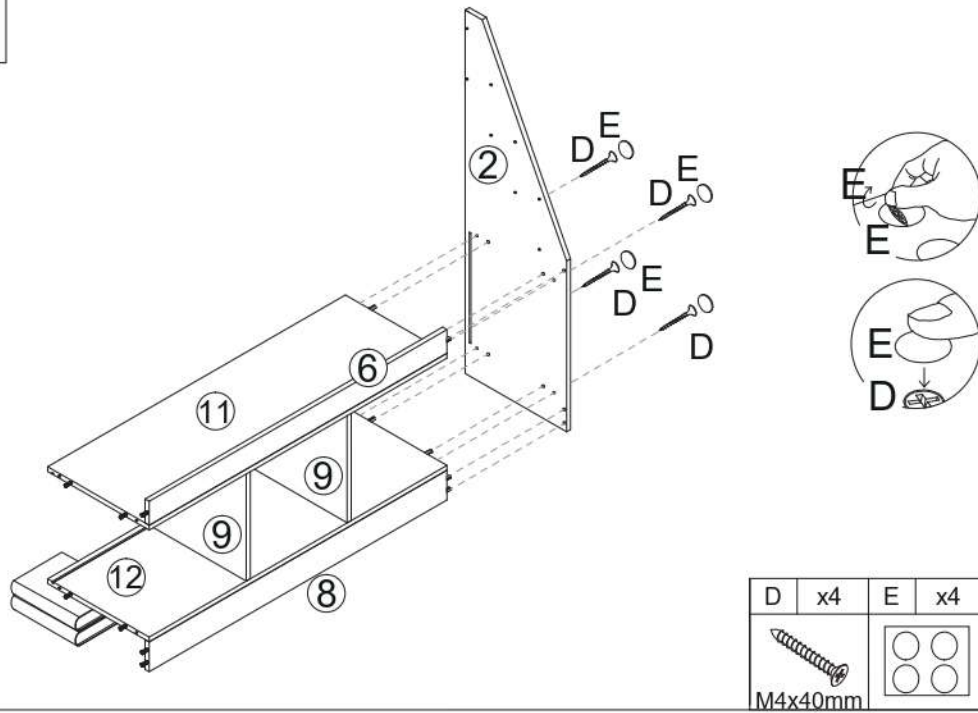
A	x1	C	x2
			
7x35mm		Ø8x30mm	

8

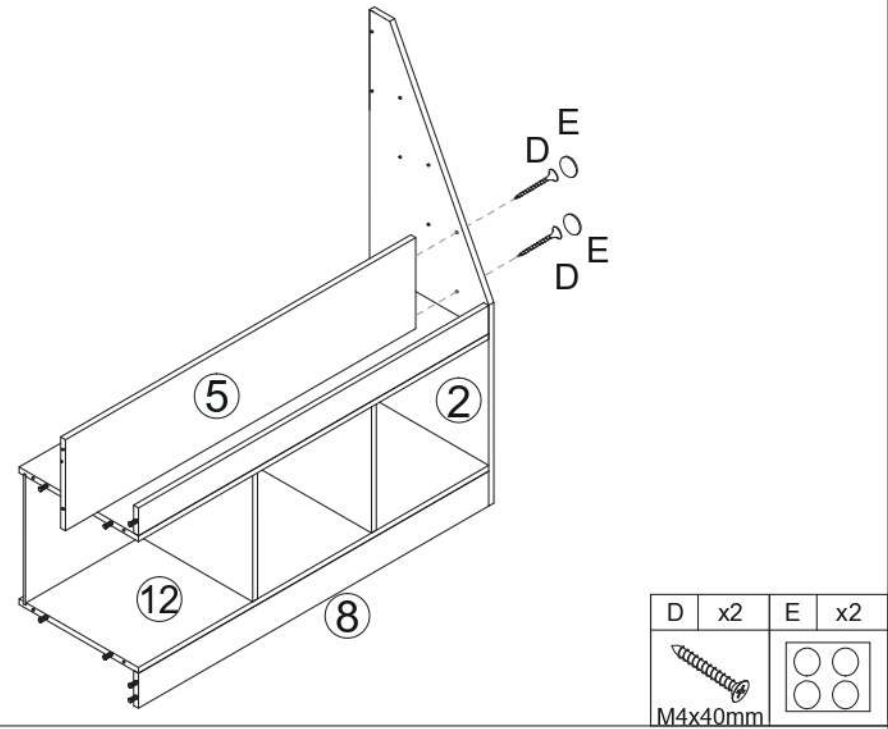


C	x14
	
Ø8x30mm	

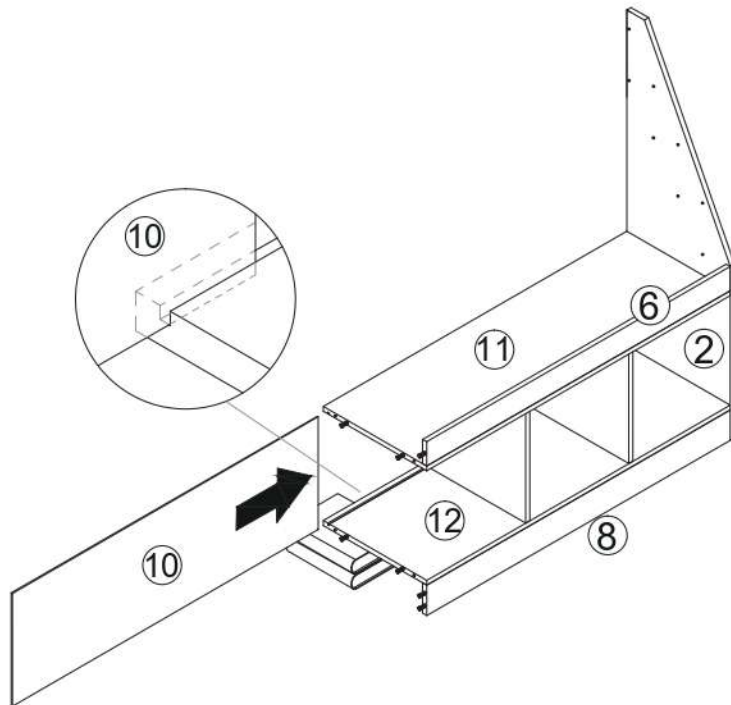
9



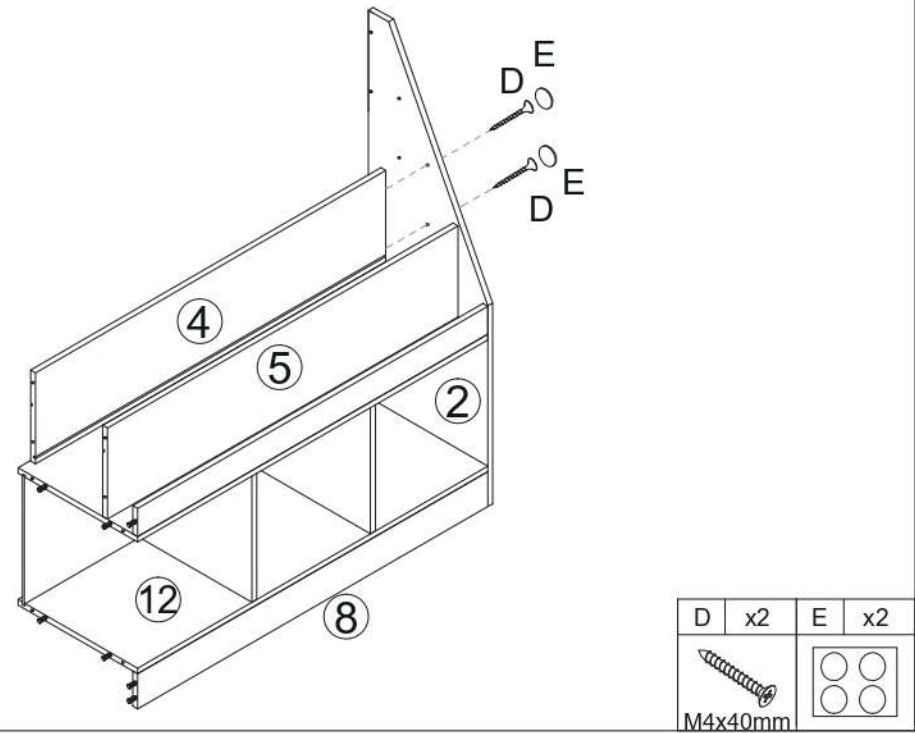
11



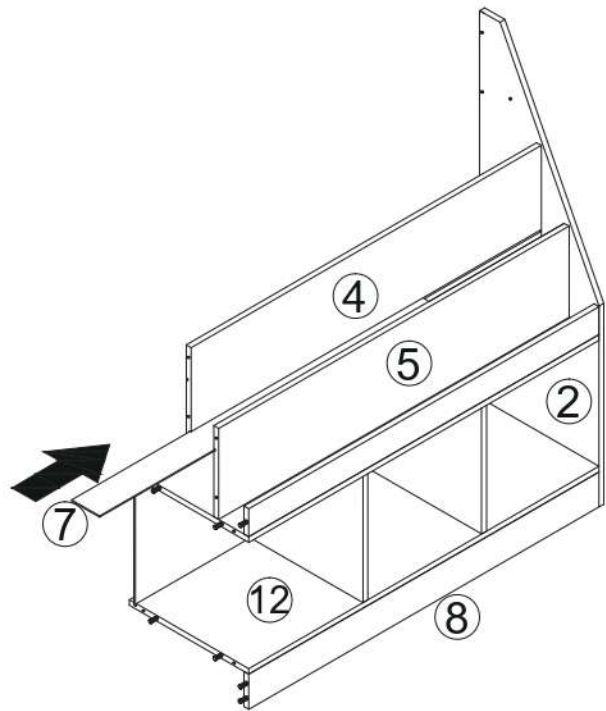
10



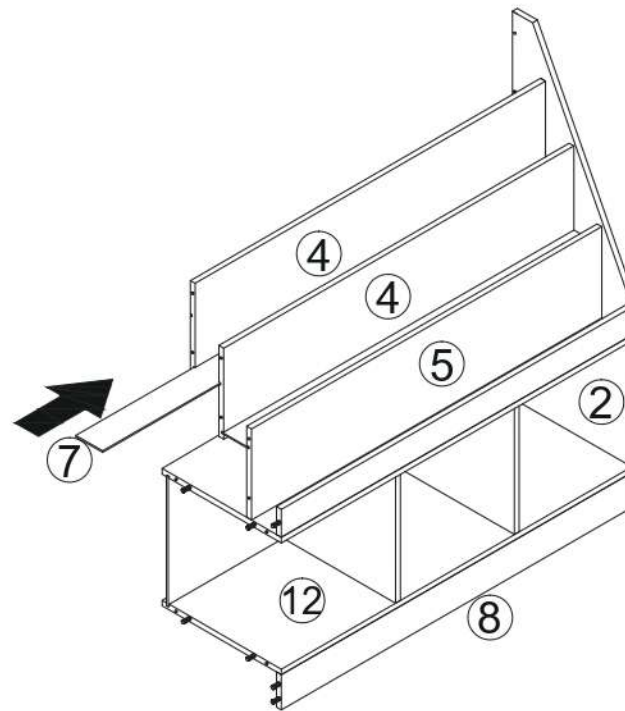
12



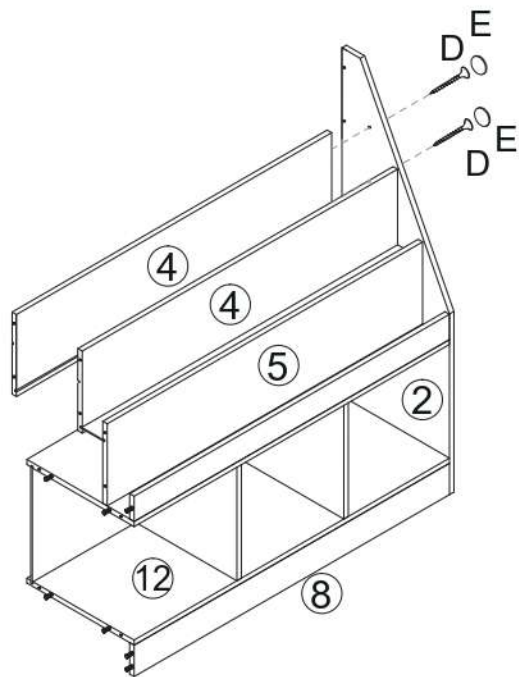
13


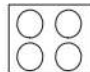


15

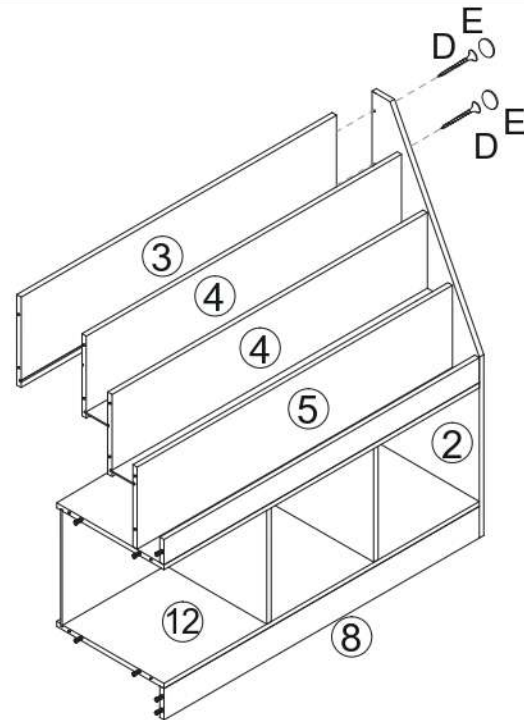



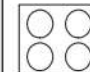
14



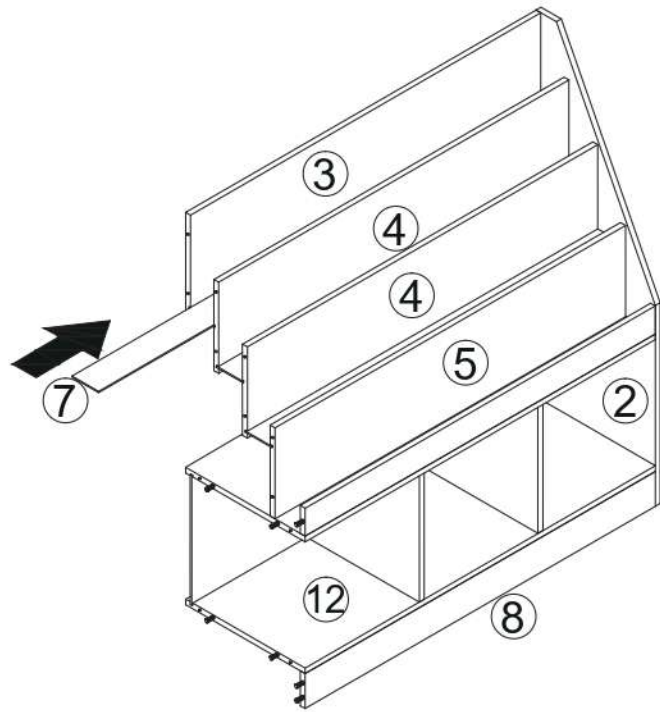
D	x2	E	x2
			
M4x40mm			

16

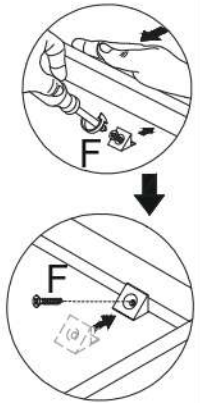
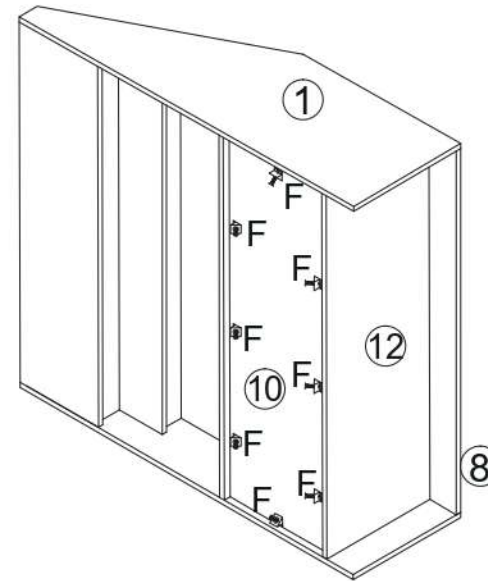


D	x2	E	x2
			
M4x40mm			

17

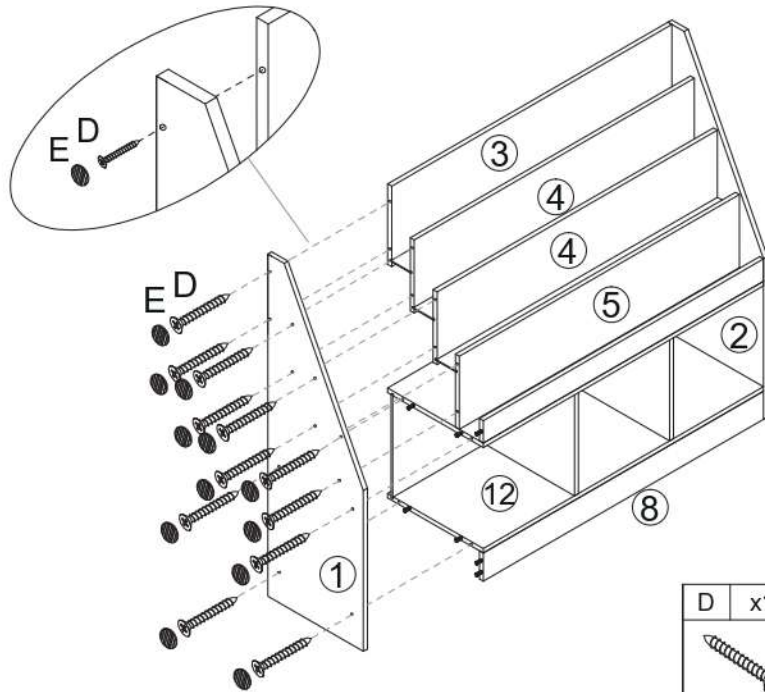


19



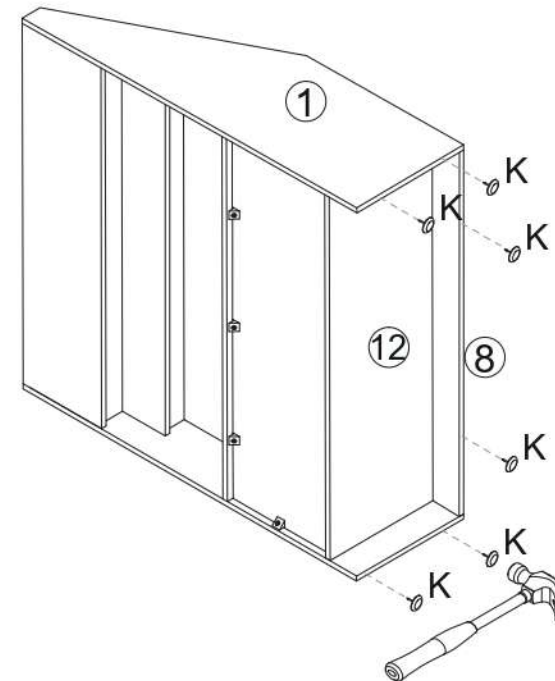
F	x8
M3x14mm	

18



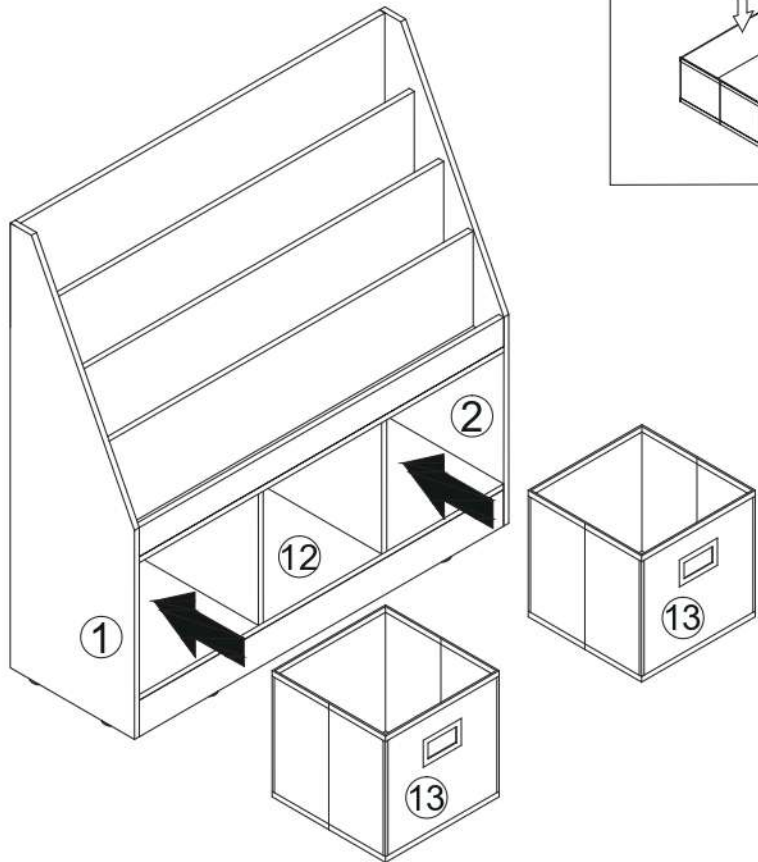
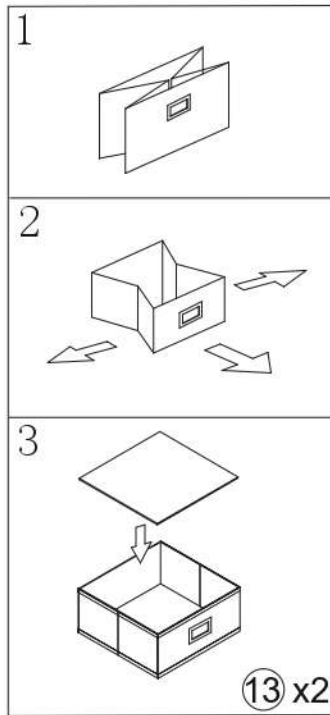
D	x12	E	x12
M4x40mm			

20



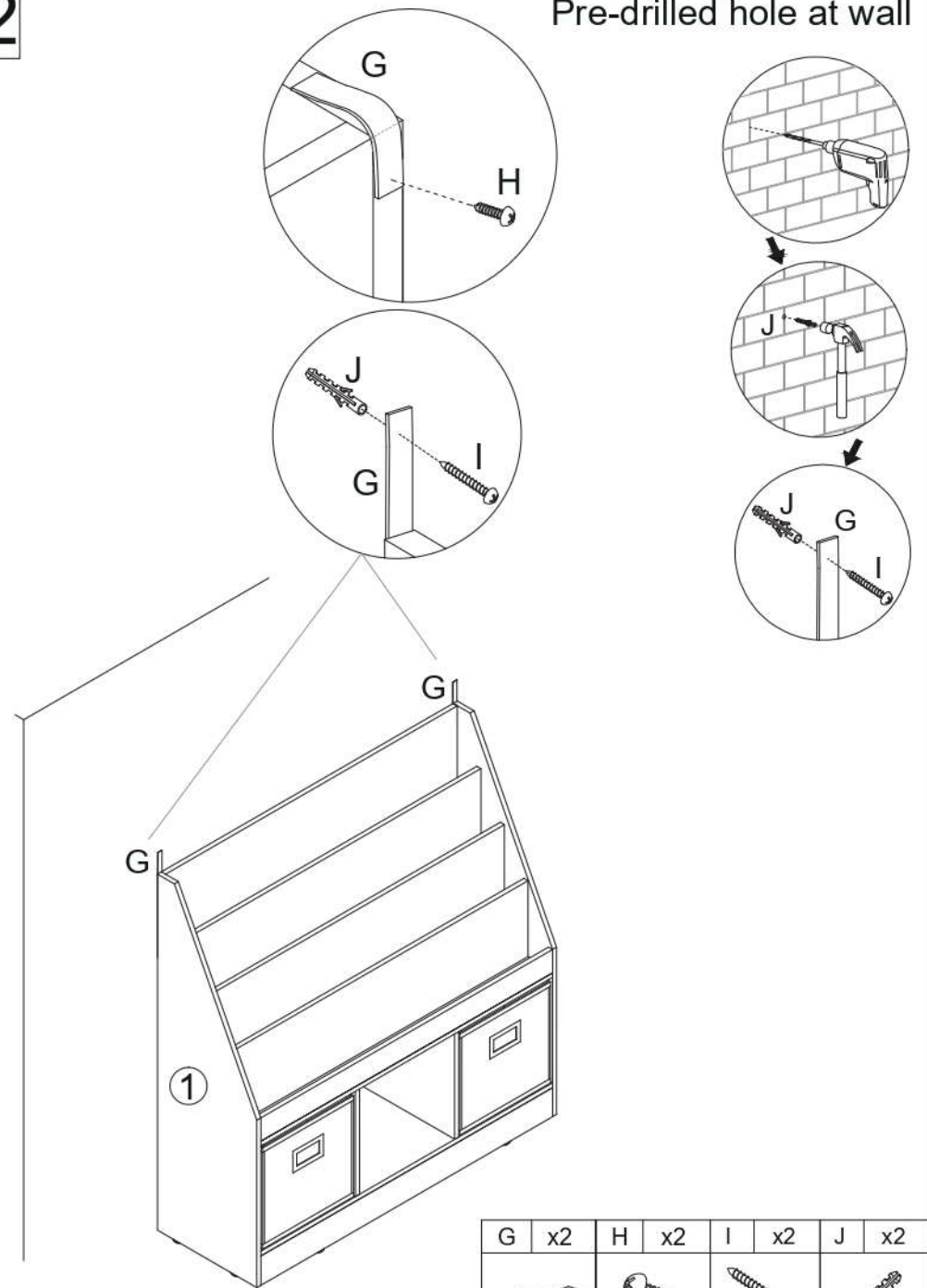
K	x6

21



22

Pre-drilled hole at wall



G	x2	H	x2	I	x2	J	x2
		M4x12mm		M4x30mm			