

SIDEBOARD

MODEL:SB-NED-A29-WHWD



ASSEMBLY INSTRUCTIONS

Please read instructions carefully before assembly.



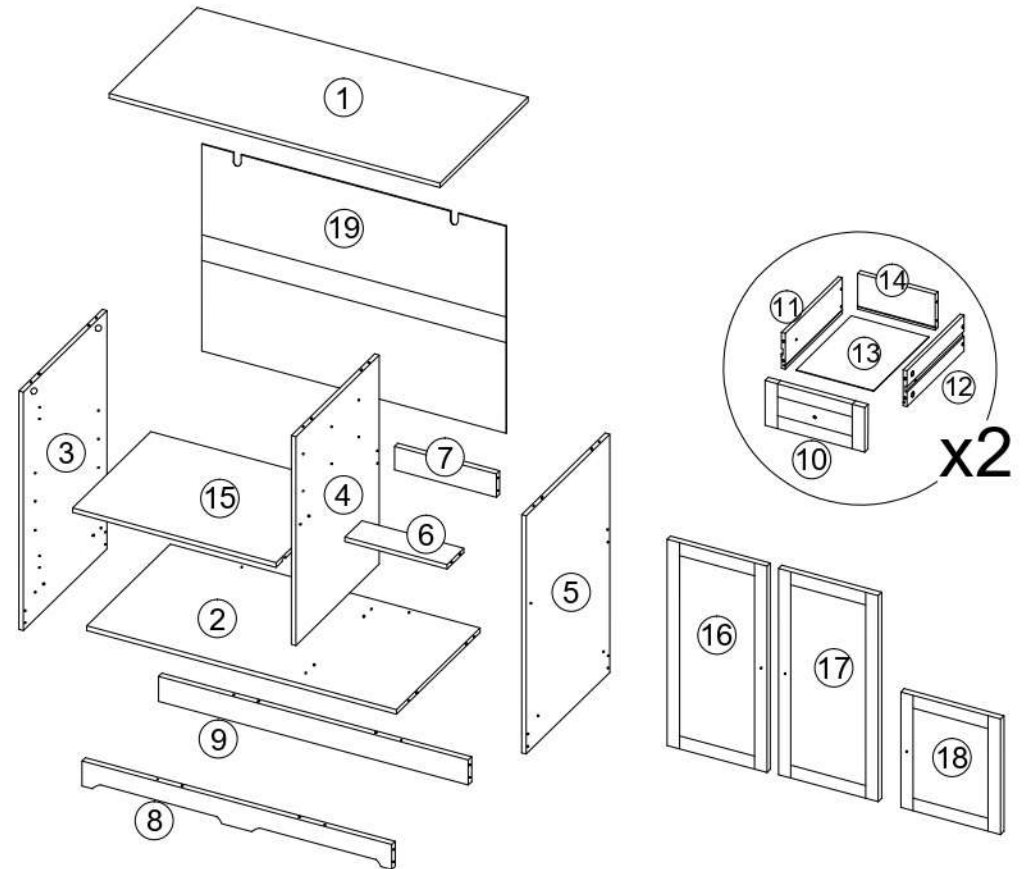
Two persons and tools required for assembly

HARDWARE

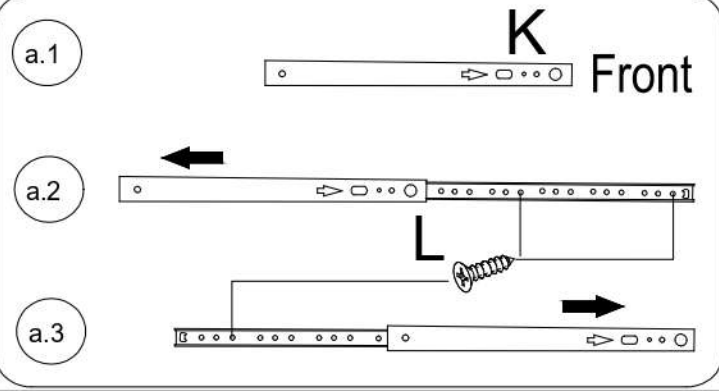
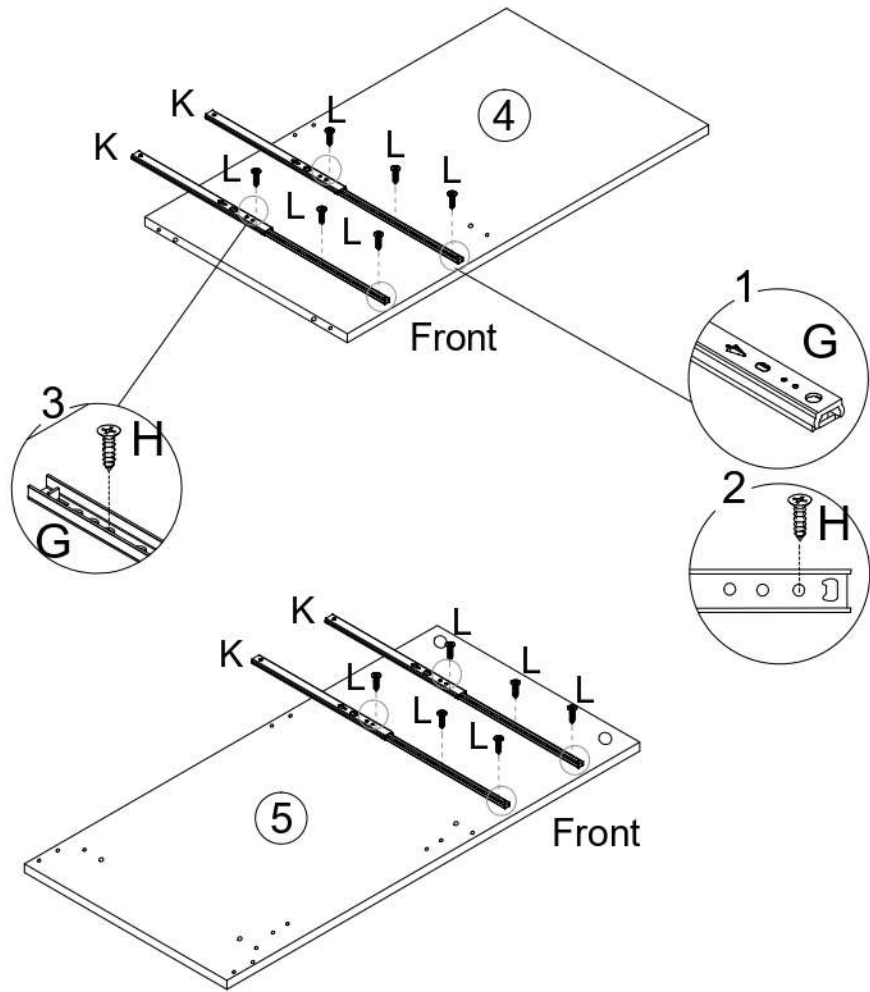
A	x16	B	x8	C	x18	D	x30	E	x15	F	x2
7x35mm		15x12mm		Ø6x30mm		M4x40mm				M4x30mm	
G	x2	H	x2	I	x2	J	x14	K	x4	L	x15
M4x14mm										M3x12mm	
M	x6	N	x24	O	x6	P	x8	Q	x3	R	x5
		M3.5x14mm				12x10mm		M4x20mm			
S	x6	T	x2	U	x12	V	x16	W	x2	X	x3
M4x10mm						M3x14mm					
Y	x4										

PARTS

Wipe with dry cloths

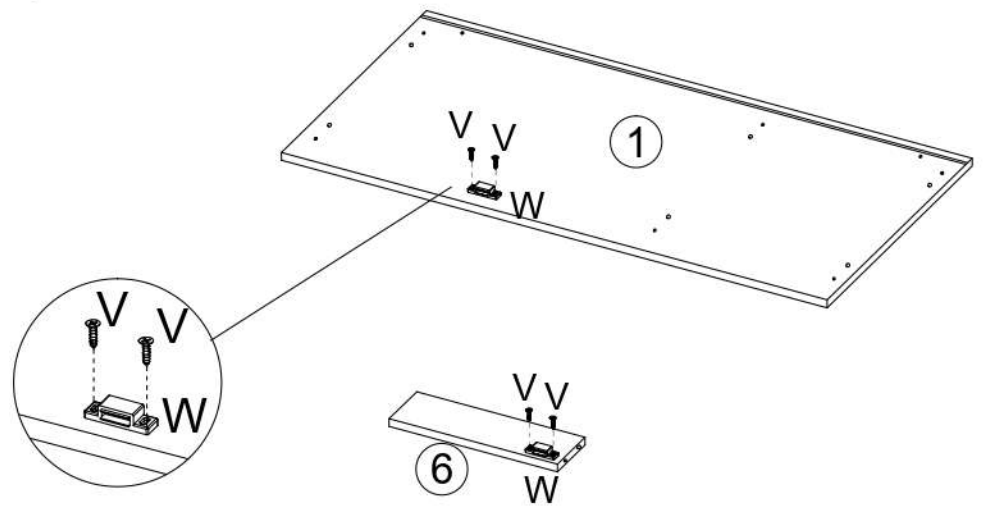


1



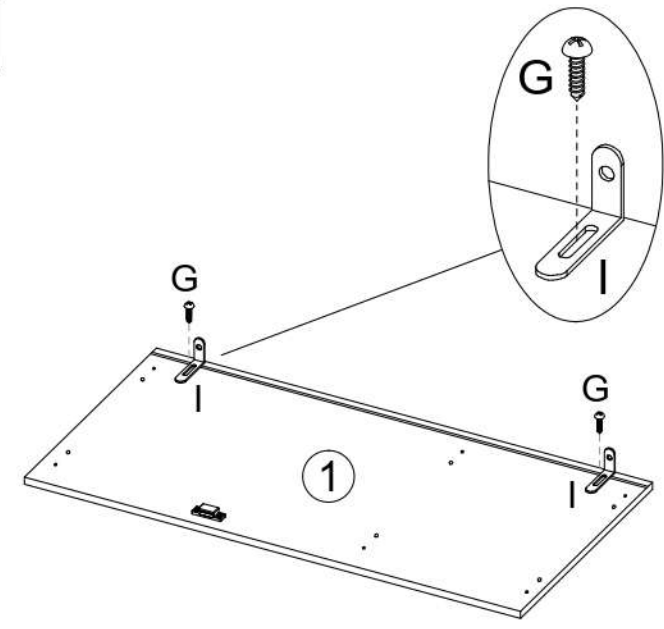
K	x4	L	x12
			M3x12mm

2



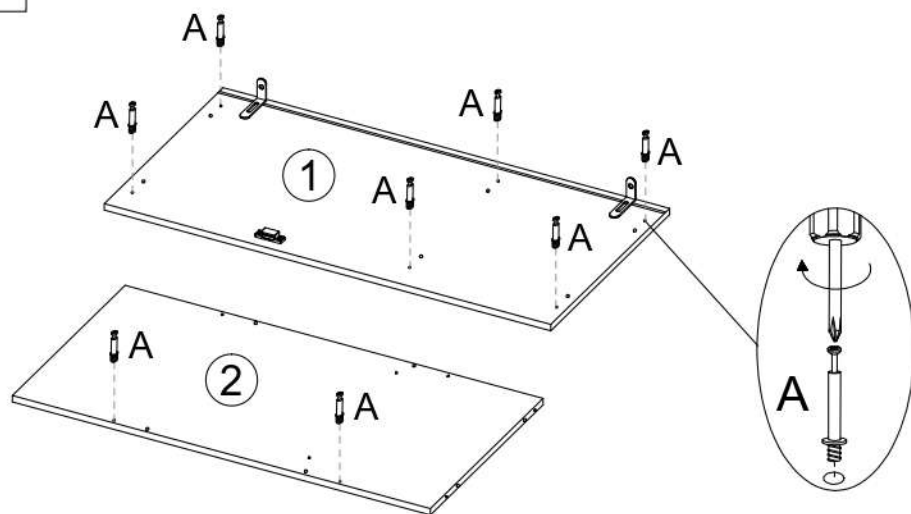
V	x4	W	x2
			M3x14mm

3



G	x2	I	x2
			M4x14mm

4

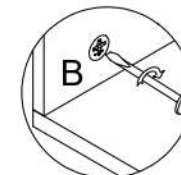
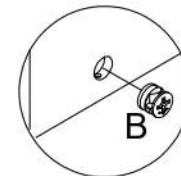
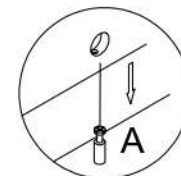
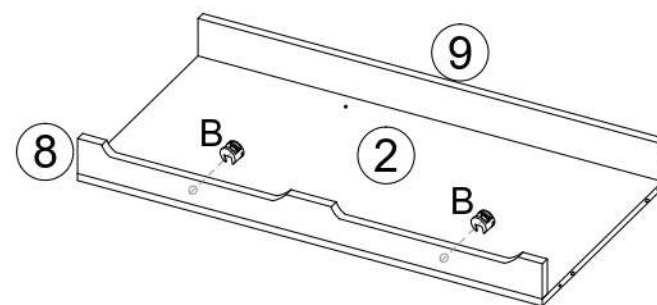


A x8



7x35mm

6

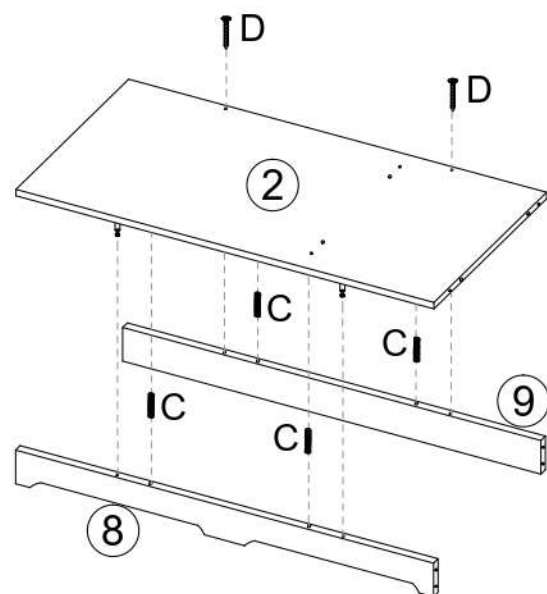


B x2



15x12mm

5



C x4

D x2

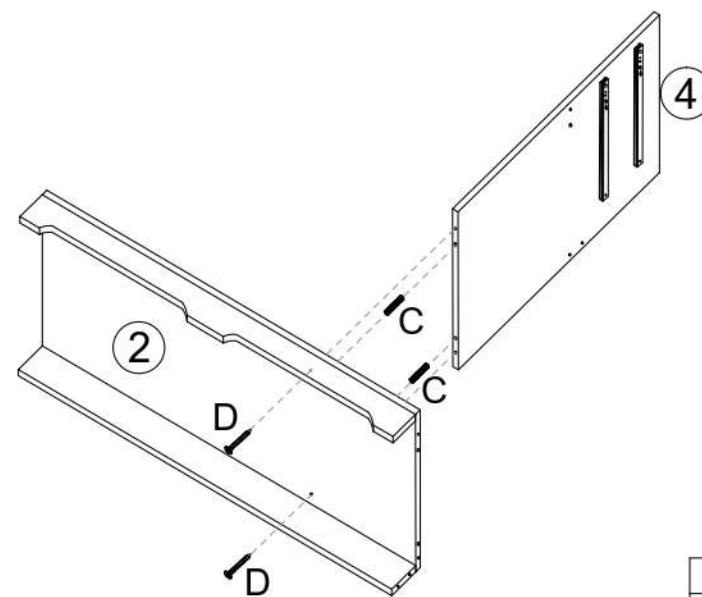


Ø6x30mm



M4x40mm

7



C x2

D x2

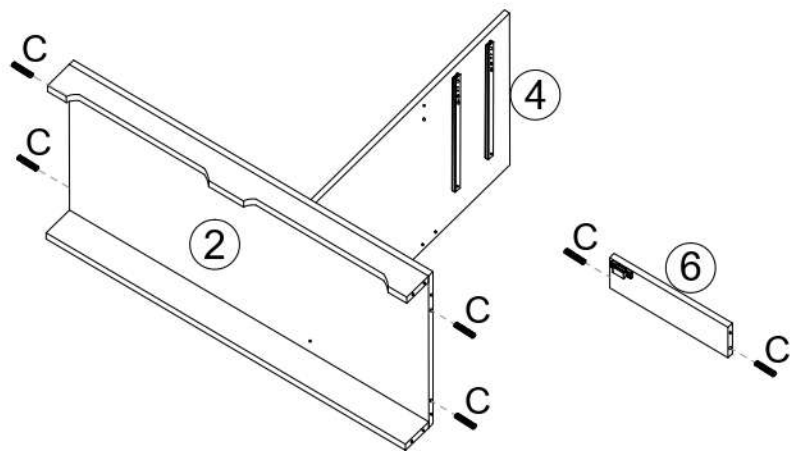


Ø6x30mm



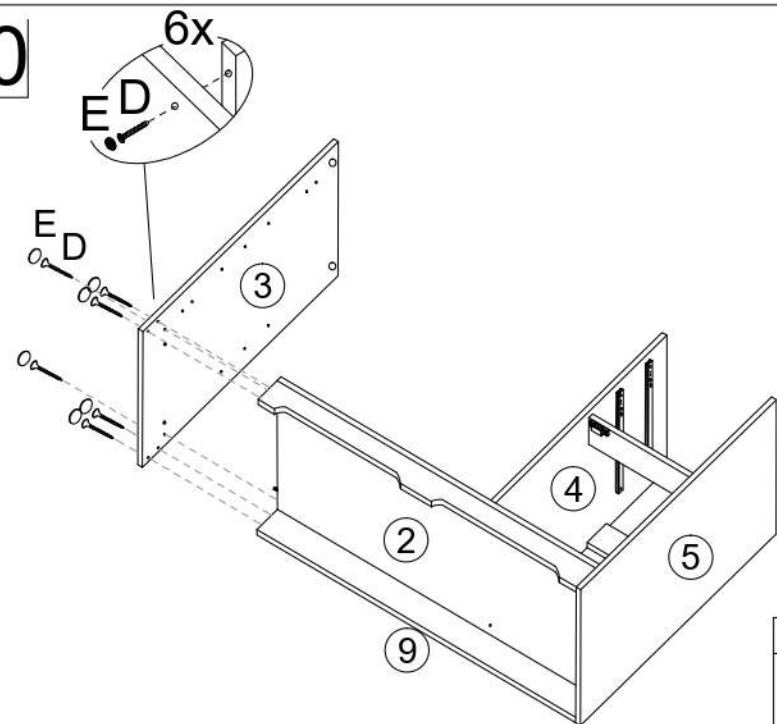
M4x40mm



8

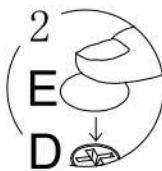


C	x6
	
Ø6x30mm	

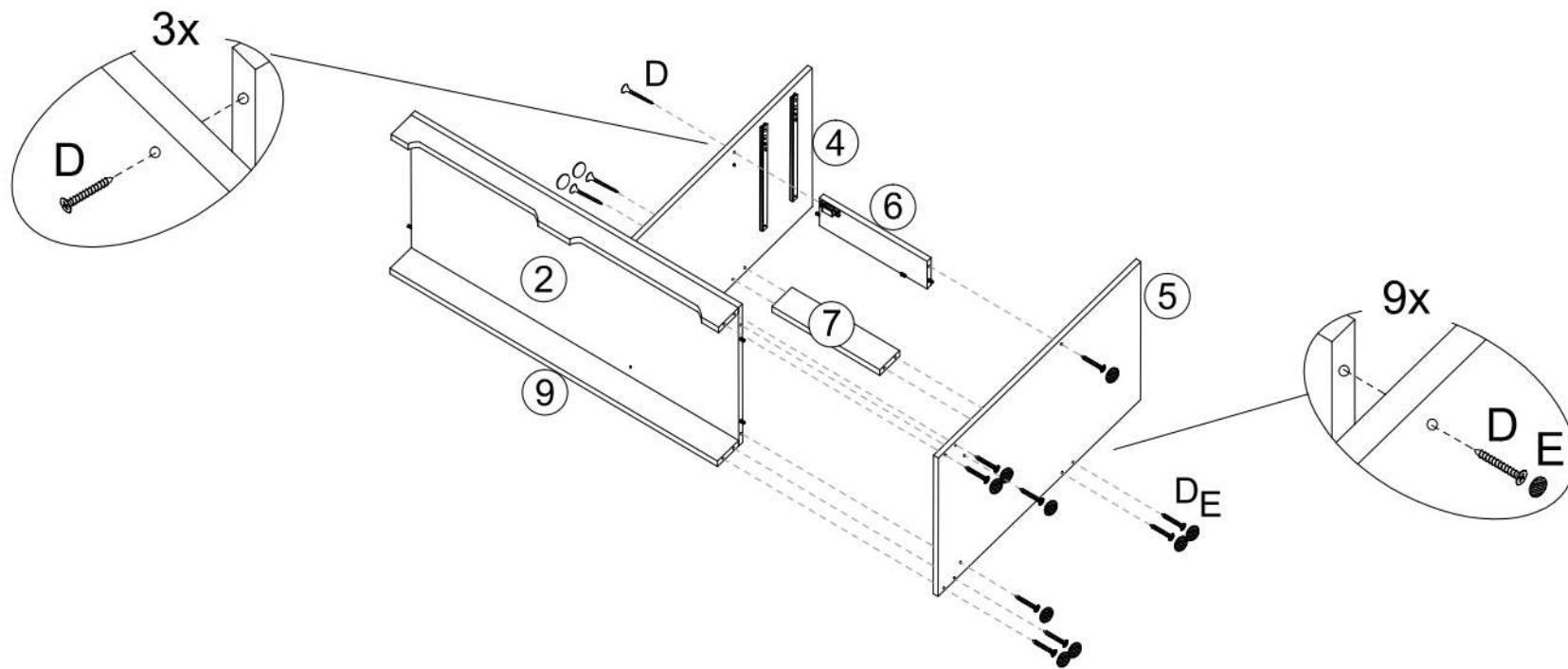
10





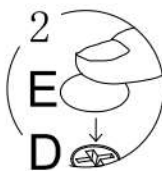
D	x6	E	x6
			
M4x40mm			



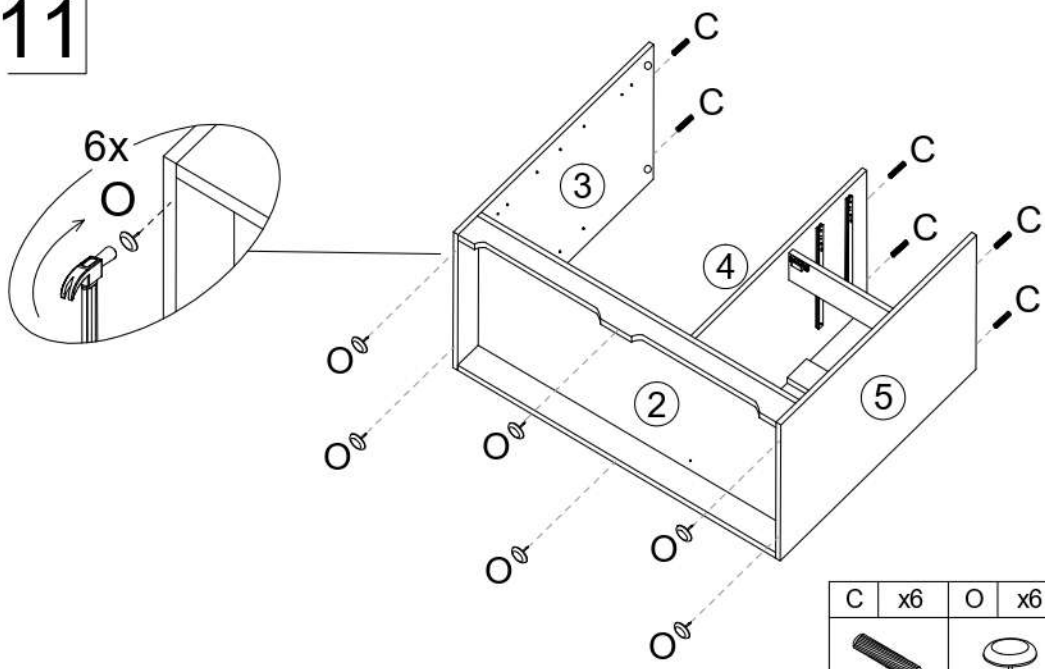
9



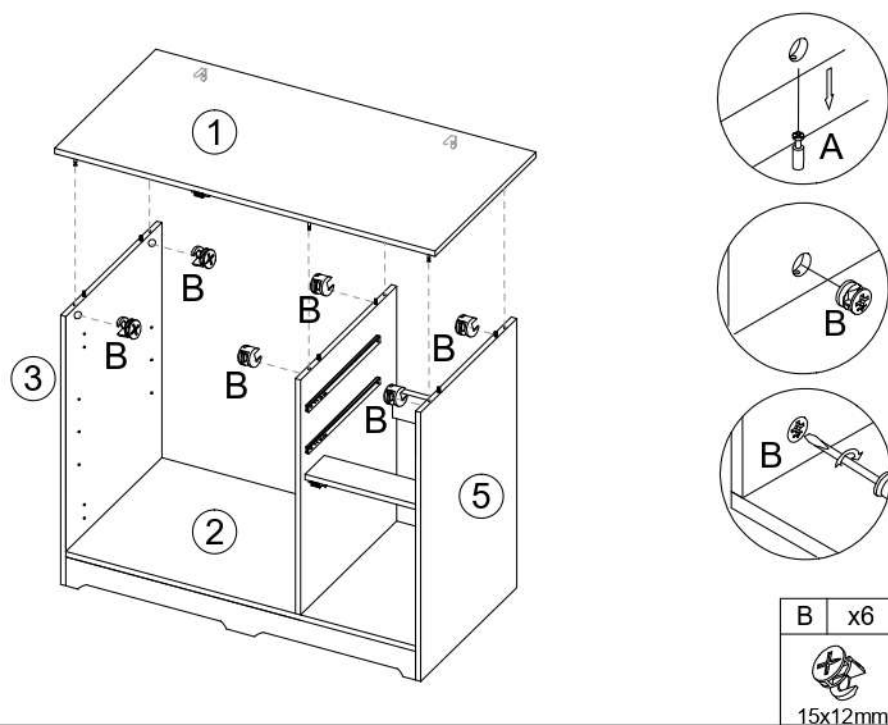
D	x12	E	x9
			
M4x40mm			



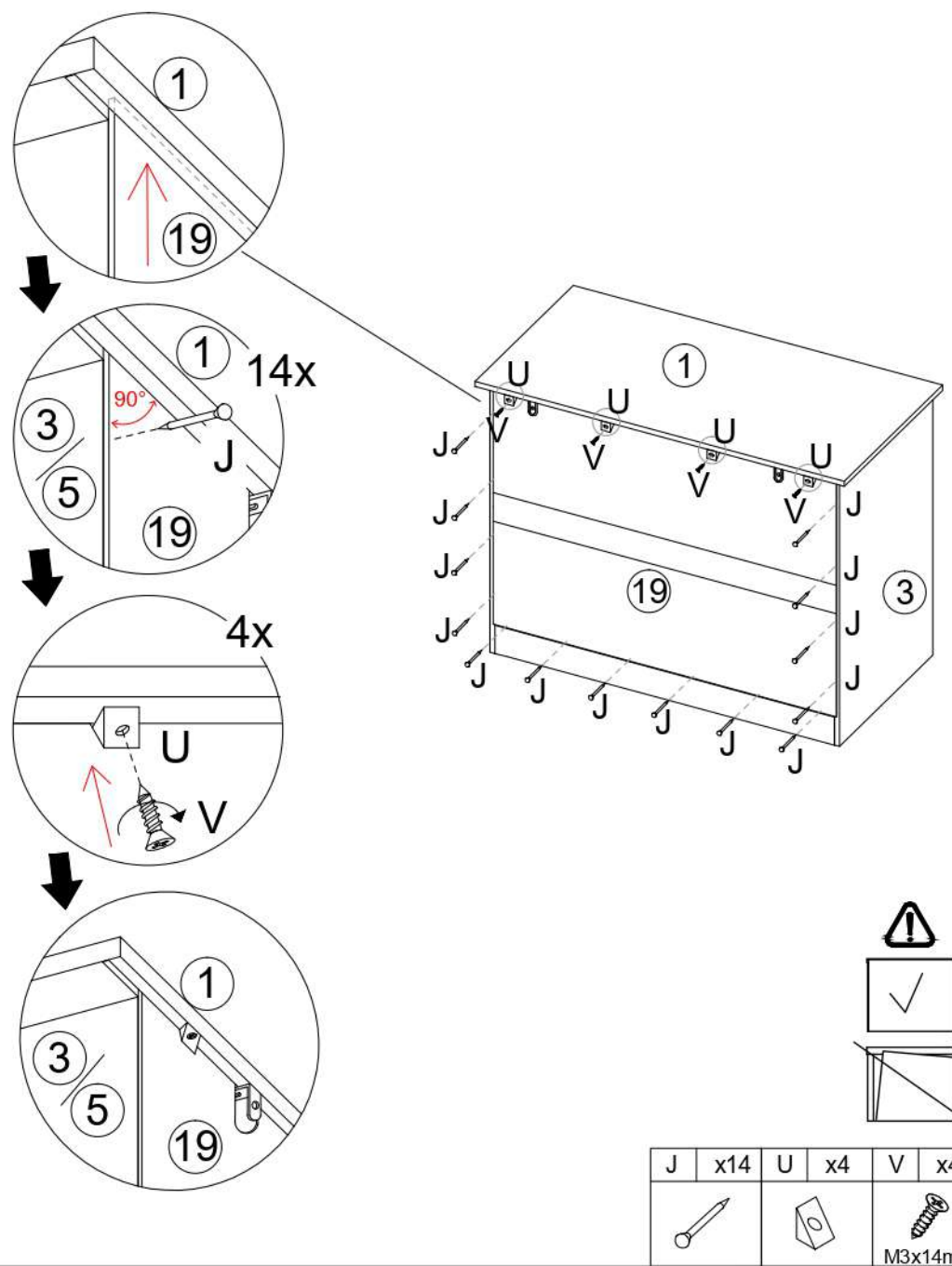
11



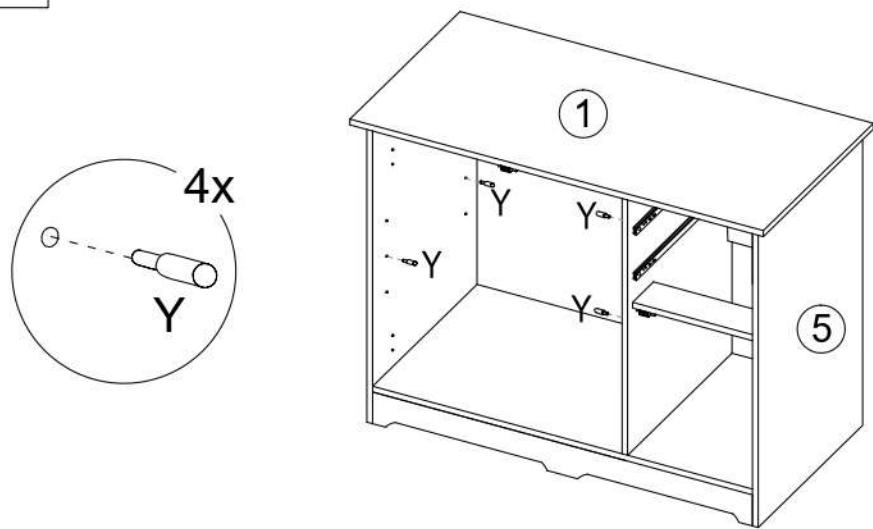
12



13



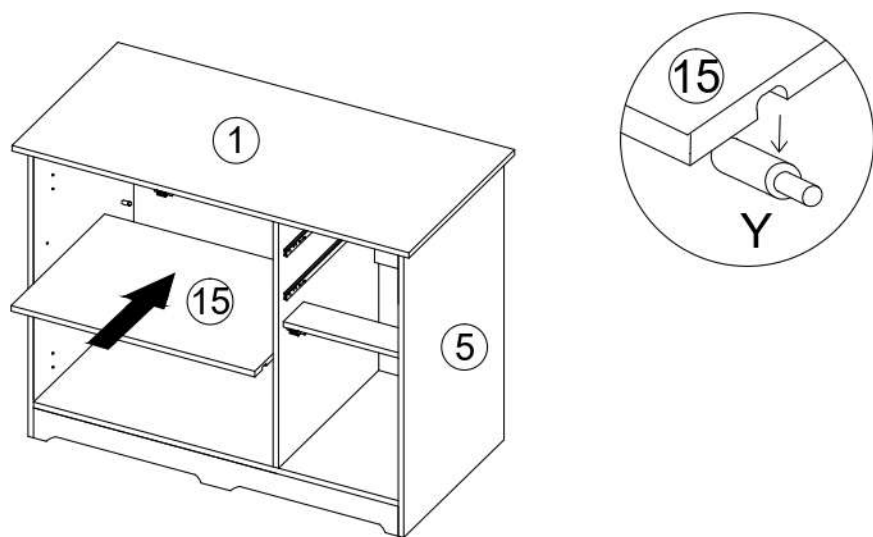
14



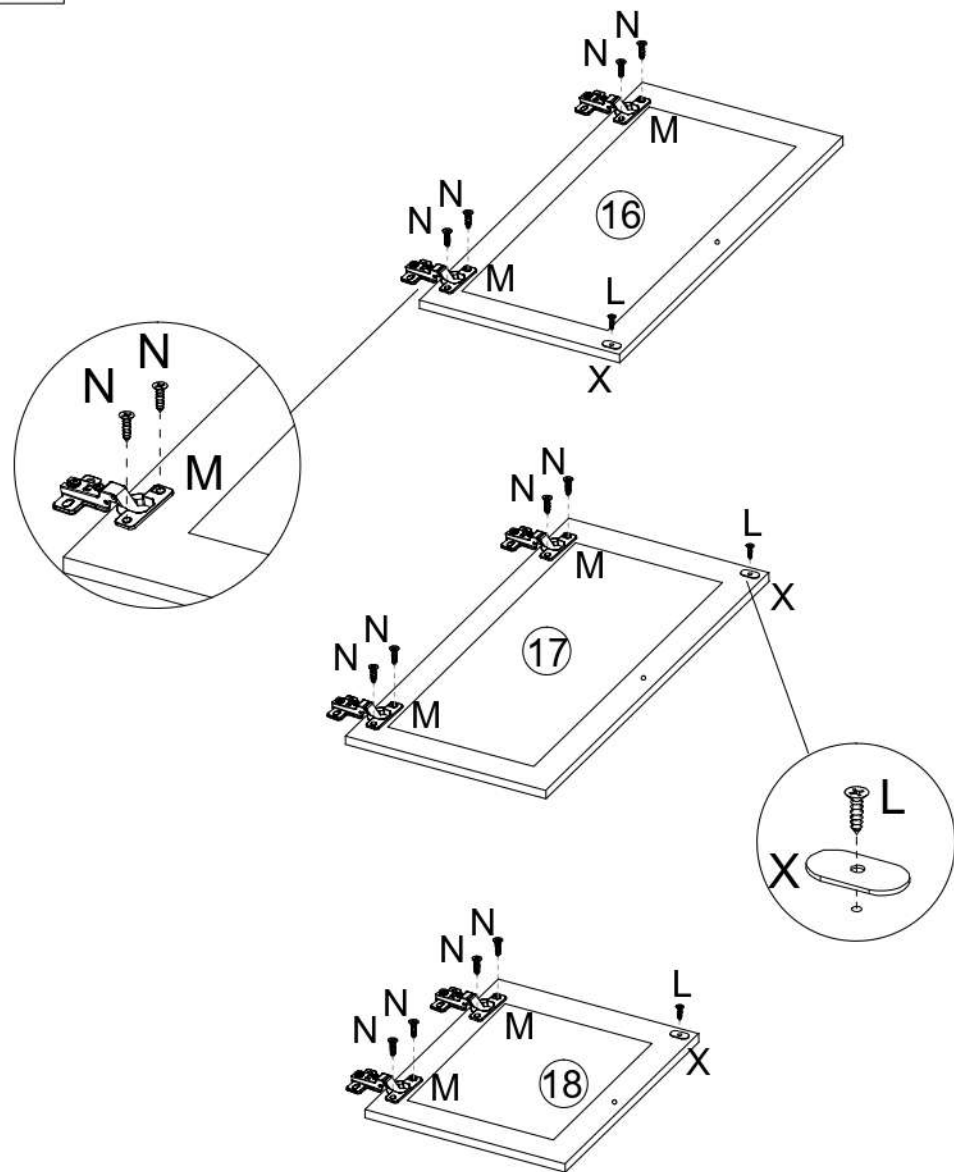
Y x4



15

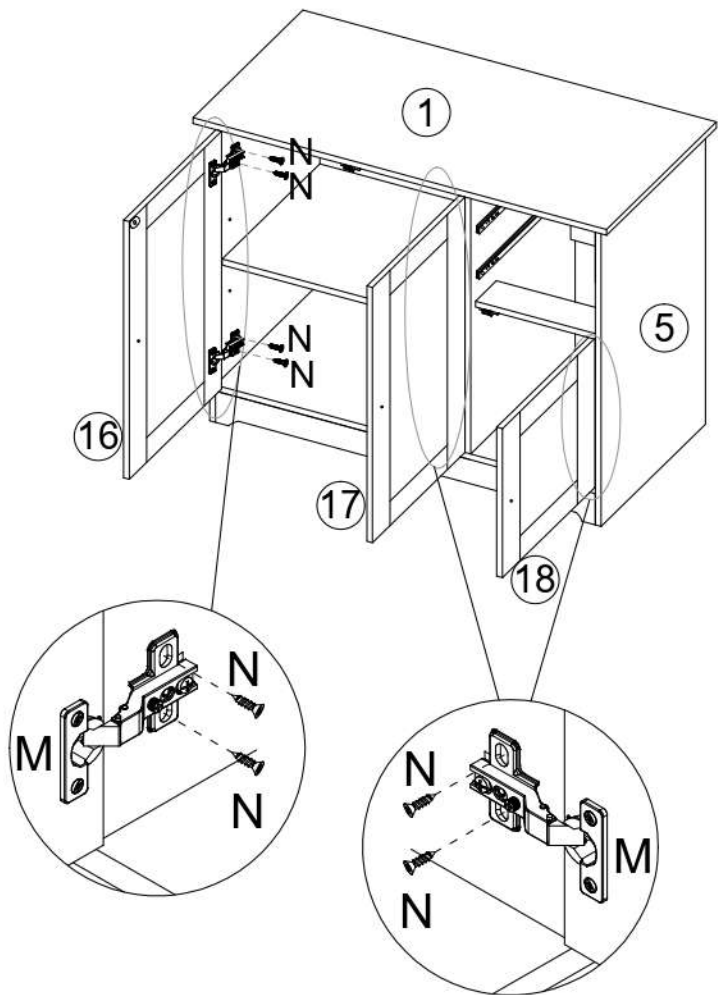
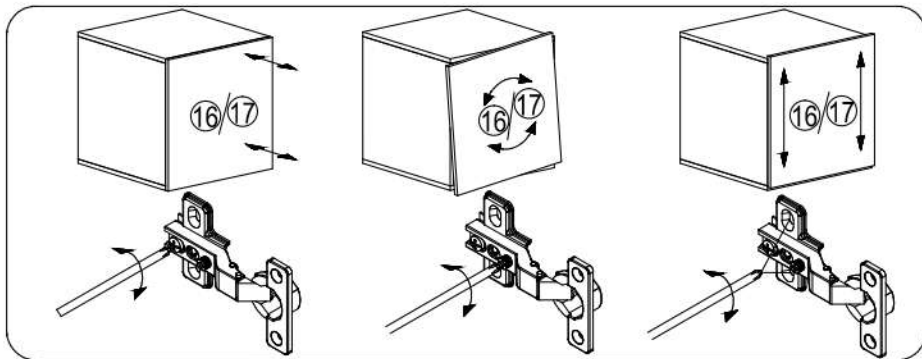


16



M	x6	N	x12	L	x3	X	x3
		M3.5x14mm		M3x12mm			

17

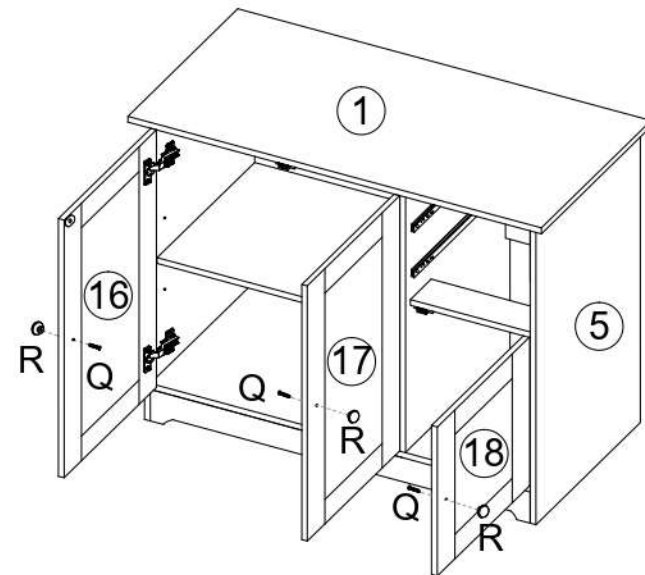
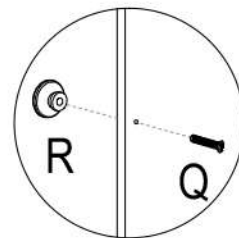


N x12



M3.5x14mm

18



Q x3 R x3

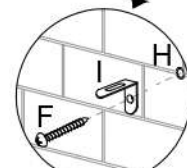
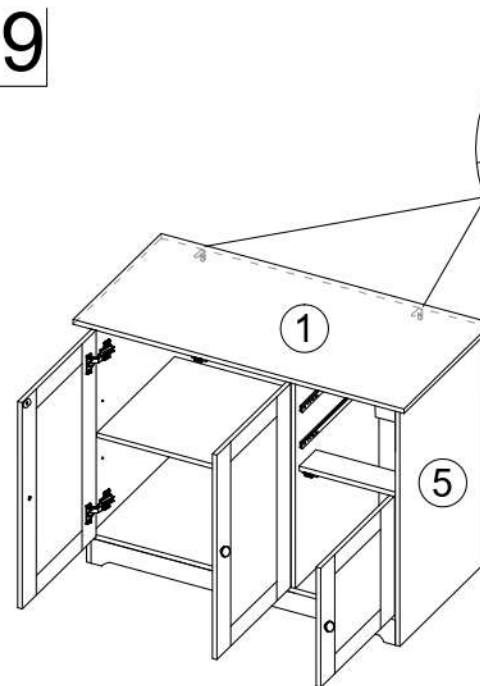


M4x20mm



Pre-drilled hole at wall

19

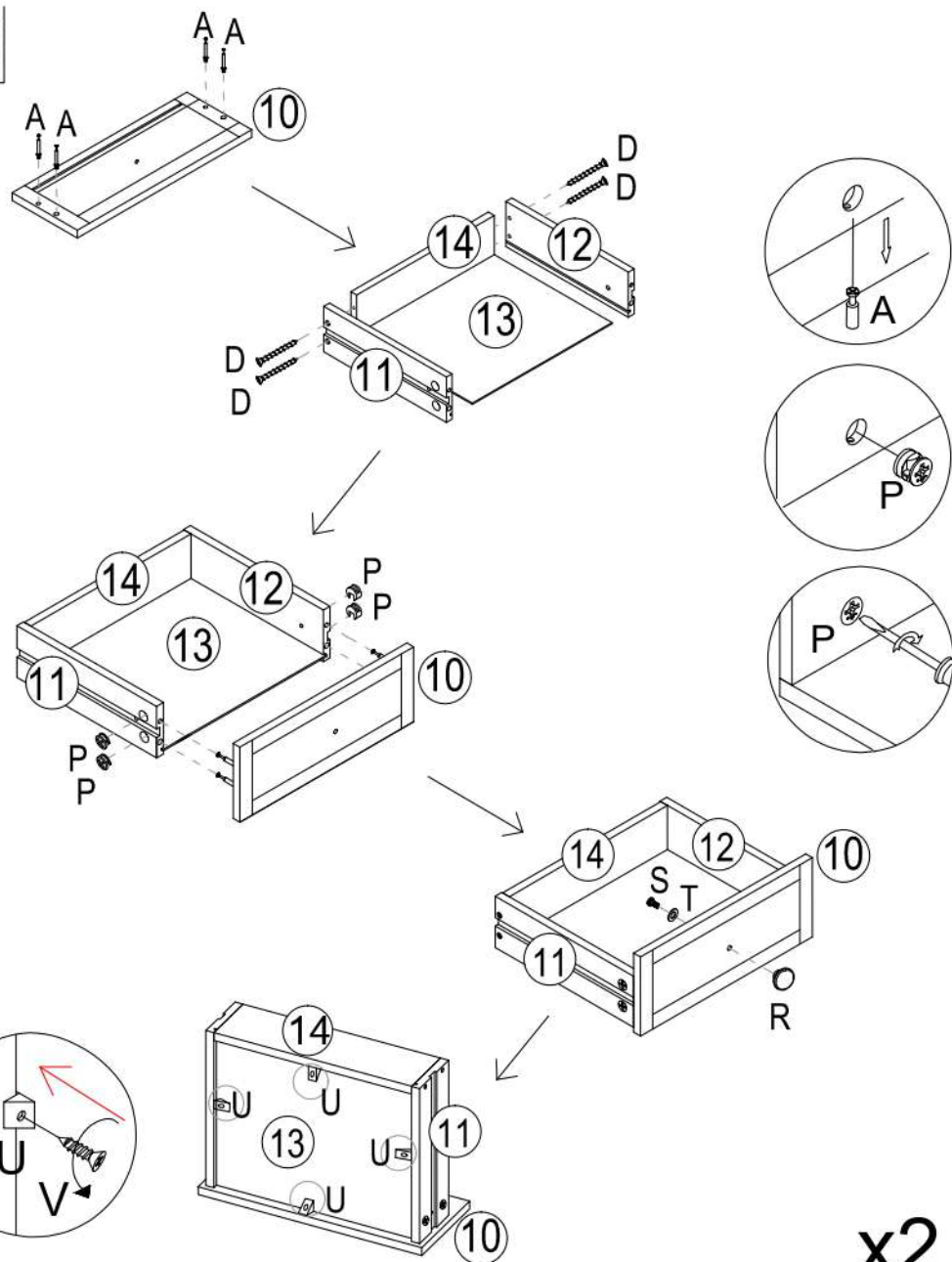


H x2 F x2



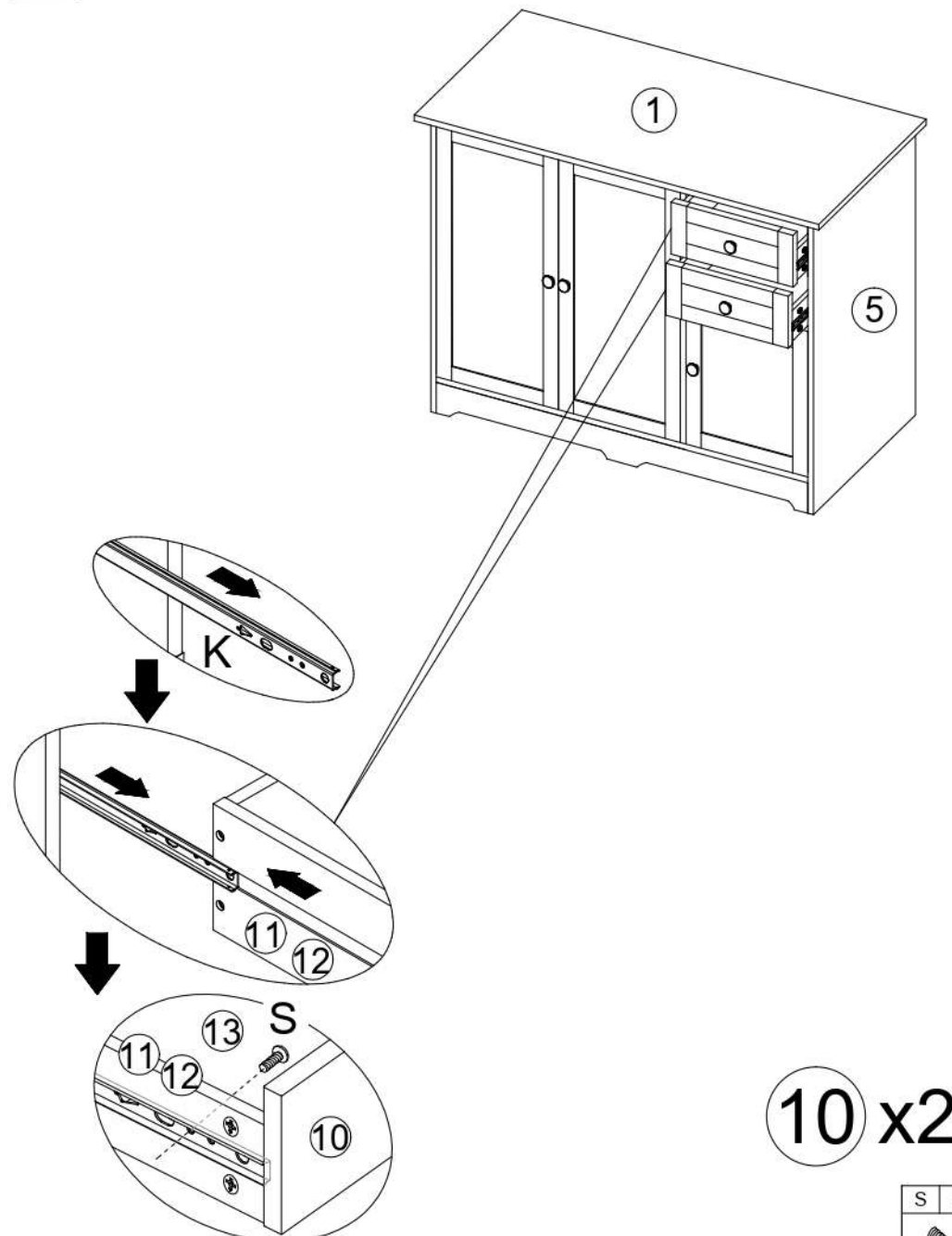
M4x30mm

20



U	x8	V	x8	P	x8	A	x8	D	x8	S	x2	R	x2	T	x2
		M3x14mm		12x10mm				M4x40mm		M4x10mm					

21



Screw from the inside of the drawers

S	x4
	M4x10mm