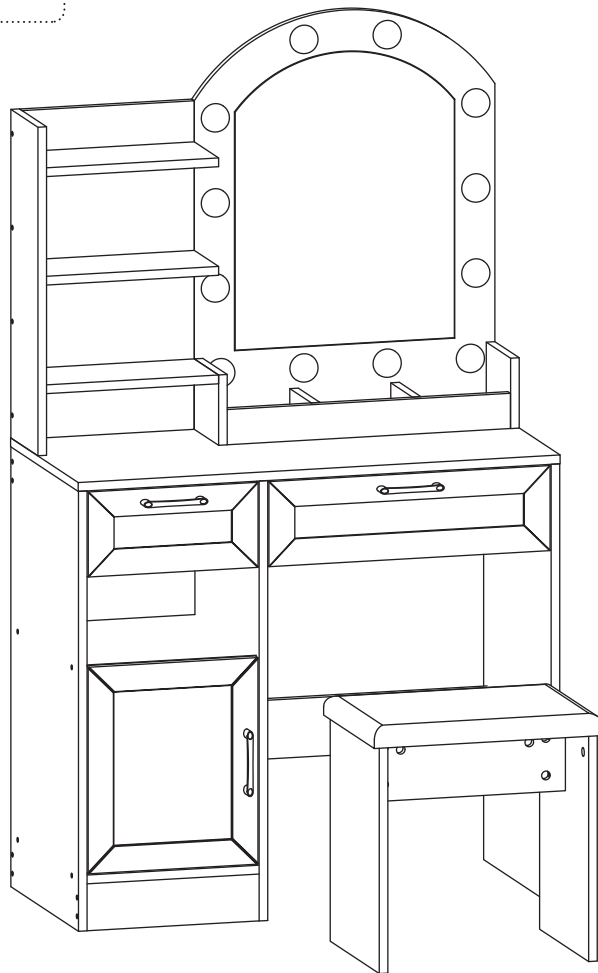
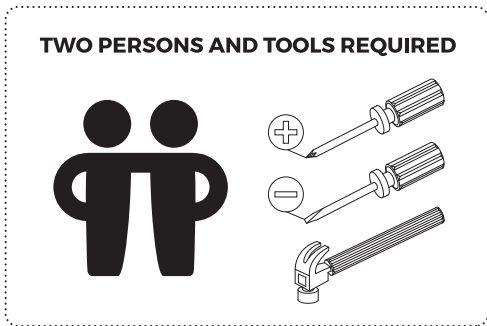


ASSEMBLY INSTRUCTIONS

Please read the instructions carefully before assembly and keep it for future reference.



ikiture[®]
DRESSING TABLE

Model : DT-BD-ARCH
Version 1.0

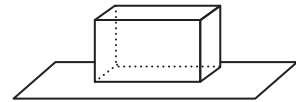
Assembly and Maintenance Tips



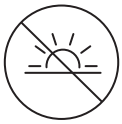
1. Keep children and pets away from the working area as small parts may cause choking if swallowed.



2. Some furniture may require two persons to assemble for safety reasons.



3. To protect the surfaces of the furniture, lay the parts and perform the assembly on top of a soft mat (such as a carpet or cardboard).



4. Keep the furniture away from direct sunlight to avoid fading.



5. Use a soft, damp cloth to clean or wipe surfaces.

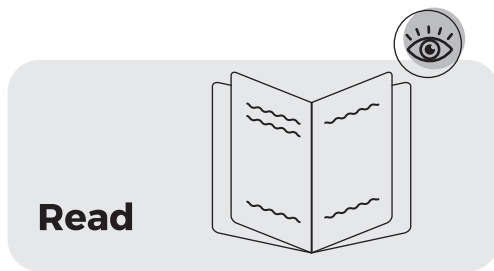


6. Never use ammonia-based or abrasive cleaning products to clean as they may damage the finish.



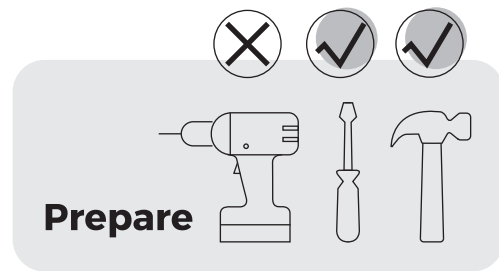
7. Do not place liquids or wet items on furniture as they may leave water marks/stains. Always use a coaster or runner to protect the furniture surface.

Assembly Checklist



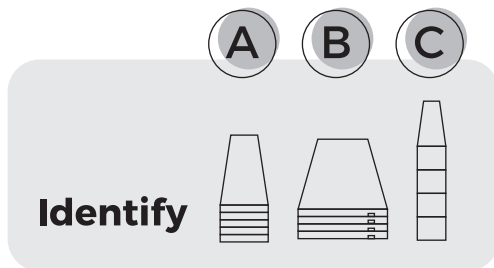
Read

Read through the instructions carefully before you begin.



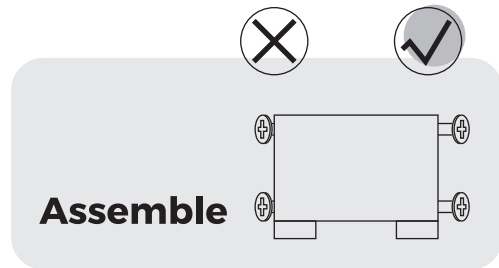
Prepare

Make sure you have all the required tools. Never use power tools unless instructed.



Identify

Identify and lay out all of the components before you begin assembly.



Assemble

Unless instructed, do not fully tighten screws until the item is fully assembled.

Helpful Information

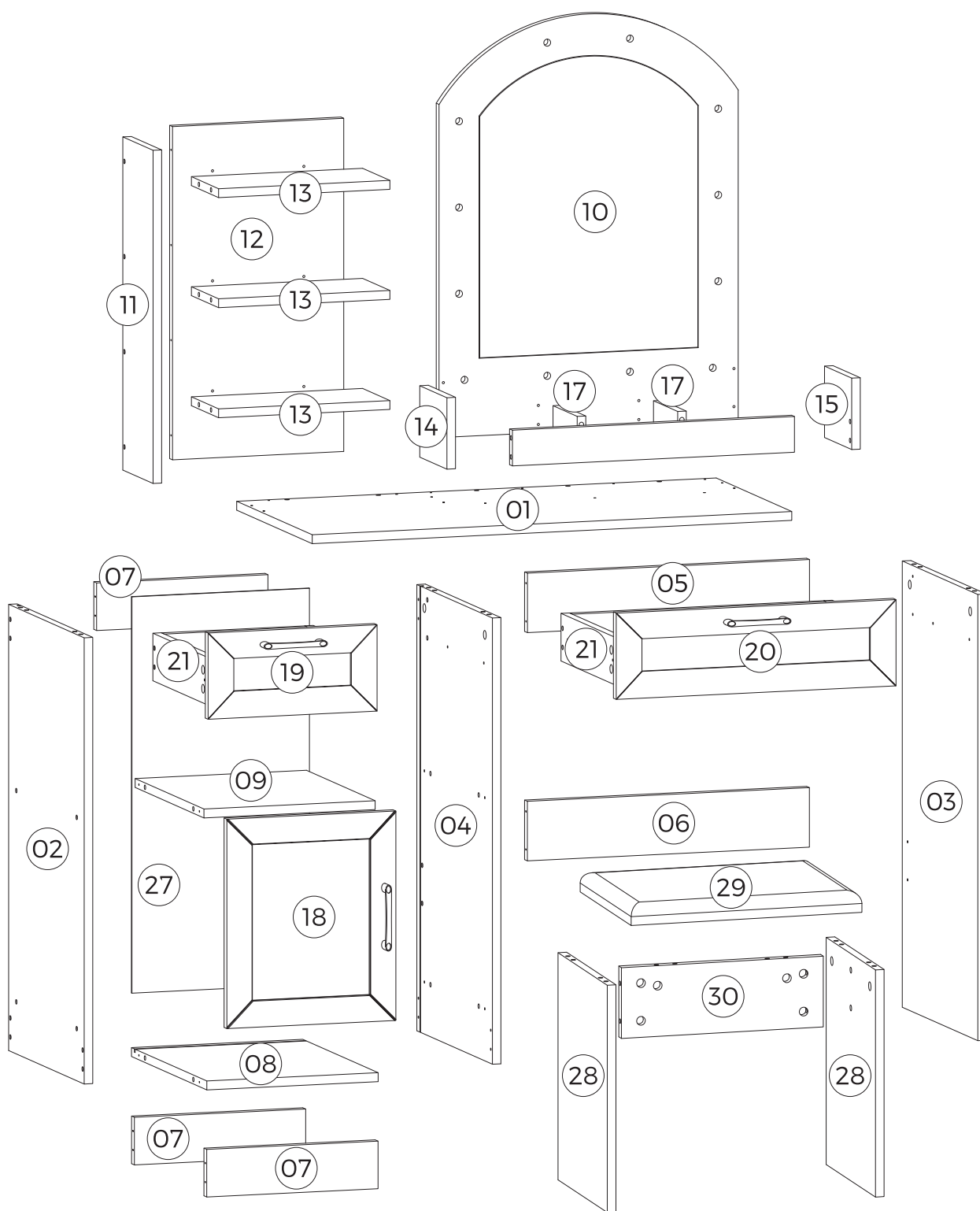
- ! Never use power tools unless specifically instructed. They can damage your components or hardware if used incorrectly.
- ! The most common mistakes made during assembly are using the wrong hardware or getting components back to front.
- ! When assembling the product, it is recommended to do so on top of a soft surface such as a carpet or cardboard to avoid scratches and damages to the furniture surfaces.
- ! Bulky items such as wardrobes should be assembled in the location when the assembled piece will be used to avoid moving them through doors or tight passages.
- ! Never use any glue until you are certain that the parts belong together.
- ! Periodically check that all connections are secured and follow all care and maintenance instructions stated.
- ! If you encounter any assembly difficulties or missing components and/or hardware, please contact our Customer Support for further assistance.

Hardware List

Please ensure that all parts and hardware are in the packaging contents. If there are any missing parts and/or hardware, please contact our Customer Support as soon as possible.

<p>Part A 34pcs Φ6x40mm</p> 	<p>Part B 34pcs Φ15x11mm</p> 	<p>Part C 29pcs Φ8x40mm</p> 	<p>Part E 71pcs ST3.5x35mm</p> 
<p>Part F 40pcs ST3.5x14mm</p> 	<p>Part H 4 Sets H1 2 Sets 4pcs H2 2 Sets 4pcs</p> 	<p>Part J 4pcs</p> 	<p>Part K 2pcs</p> 
<p>Part L 2 pcs Φ6x32mm</p> 	<p>Part M 10pcs</p> 	<p>Part N 3pcs</p> 	<p>Part P 3pcs</p> 
<p>Part Q 6pcs M4x18mm</p> 	<p>Part R 4pcs</p> 	<p>Part S 2pcs</p> 	<p>Part U 12pcs LED Bulb</p> 
<p>Part V 24pcs Φ12mm</p> 			

Parts List



STEP 1

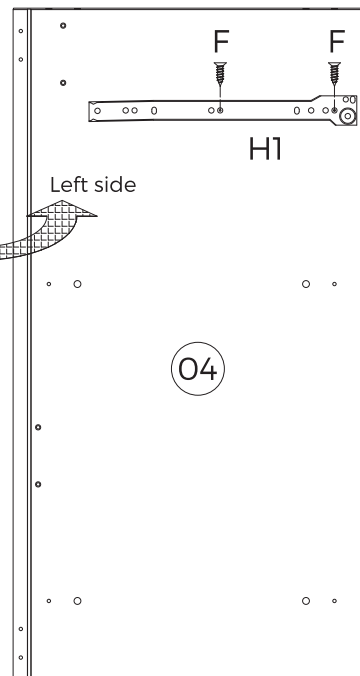
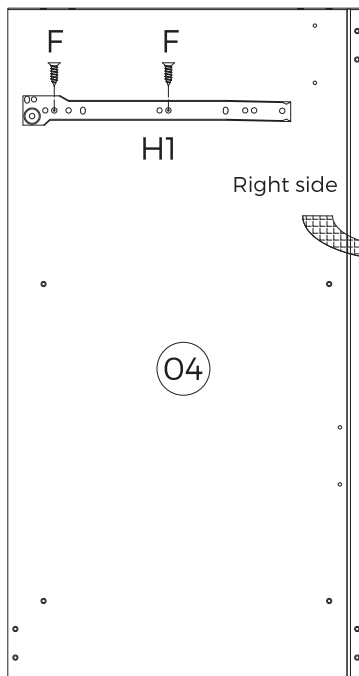
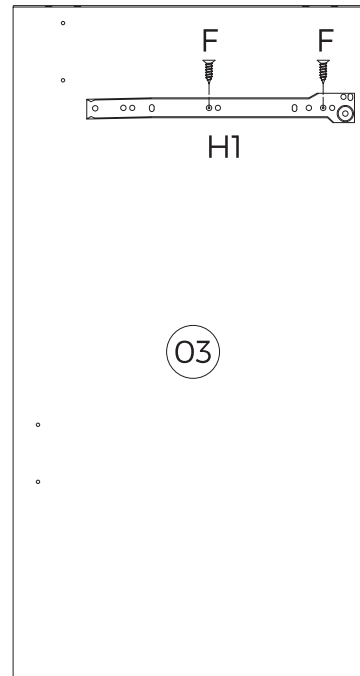
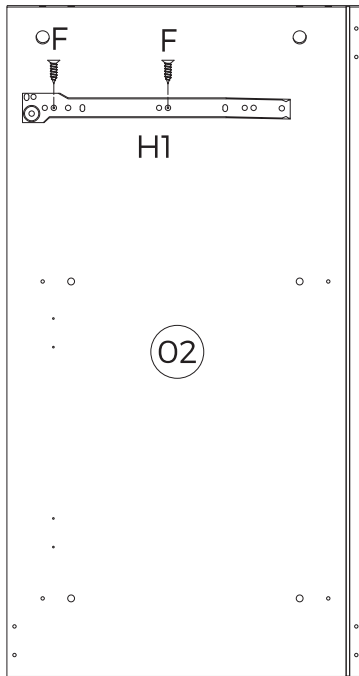
Part F

8pcs
ST3.5x14mm



Part H1

2 Sets
4pcs



STEP 2

Part C

8pcs

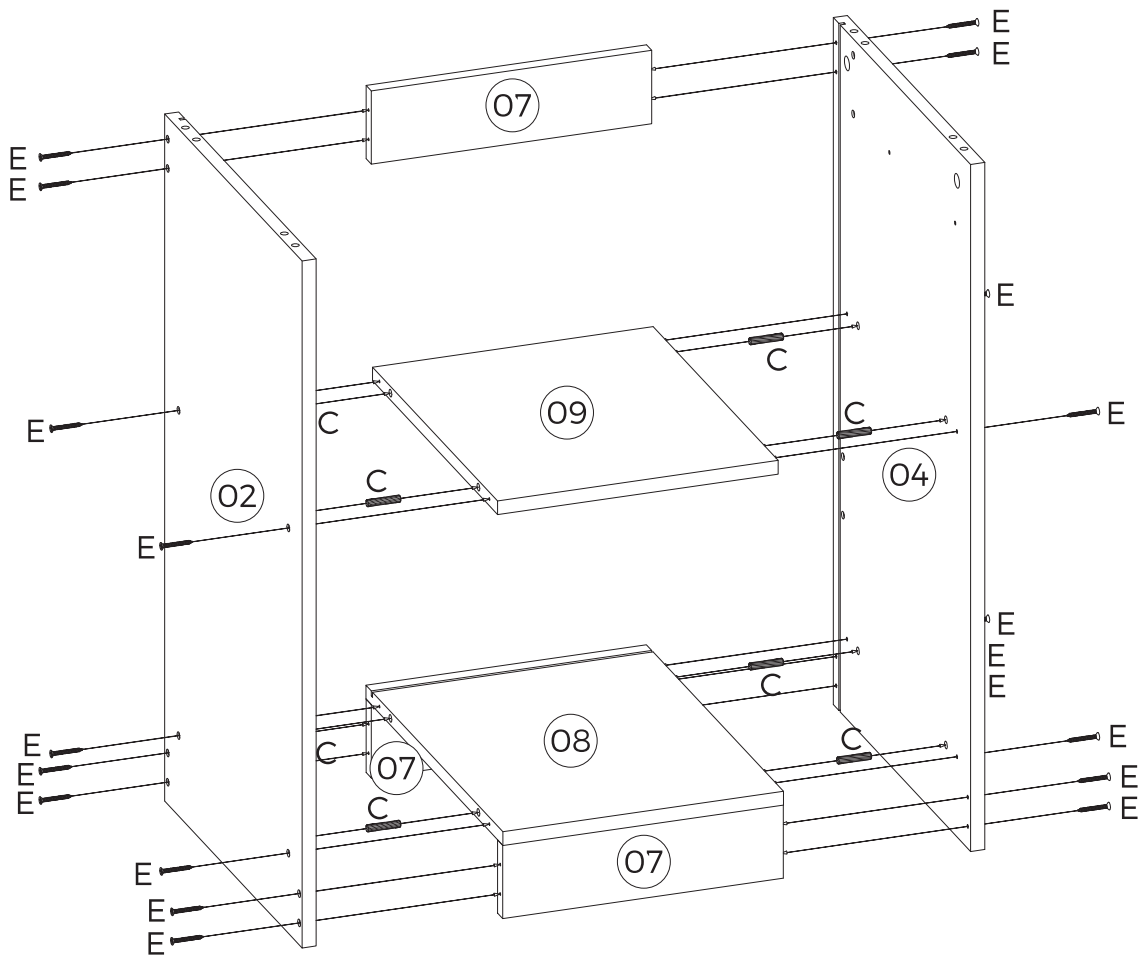
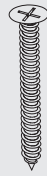
Φ8x40mm



Part E

20pcs

ST3.5x35mm

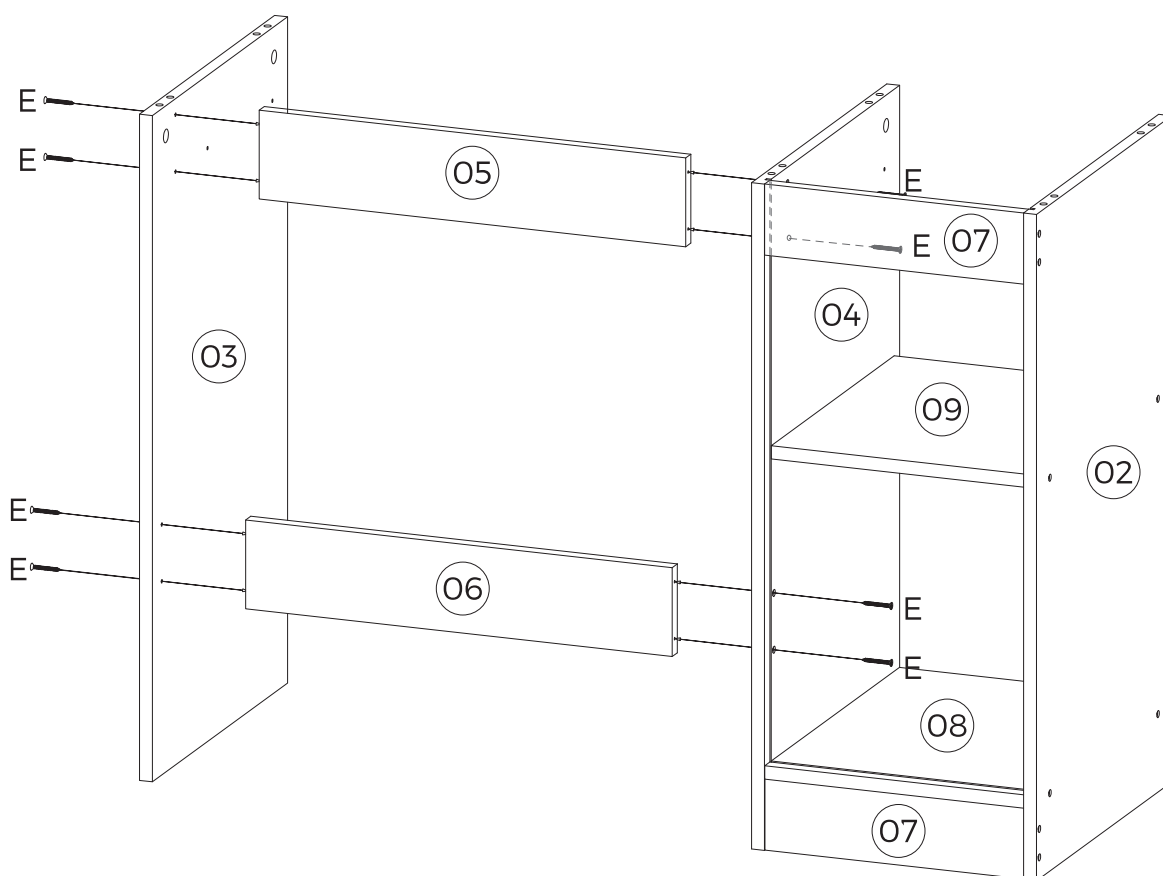


STEP 3

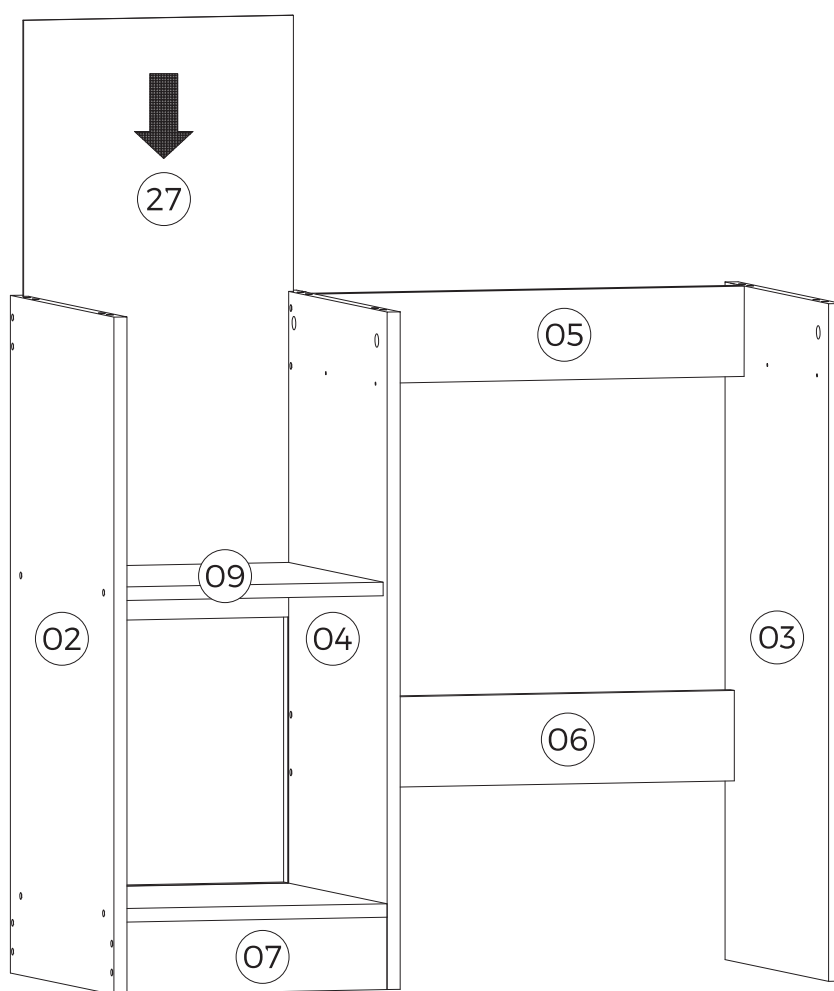
Part E

8pcs

ST3.5x35mm



STEP 4

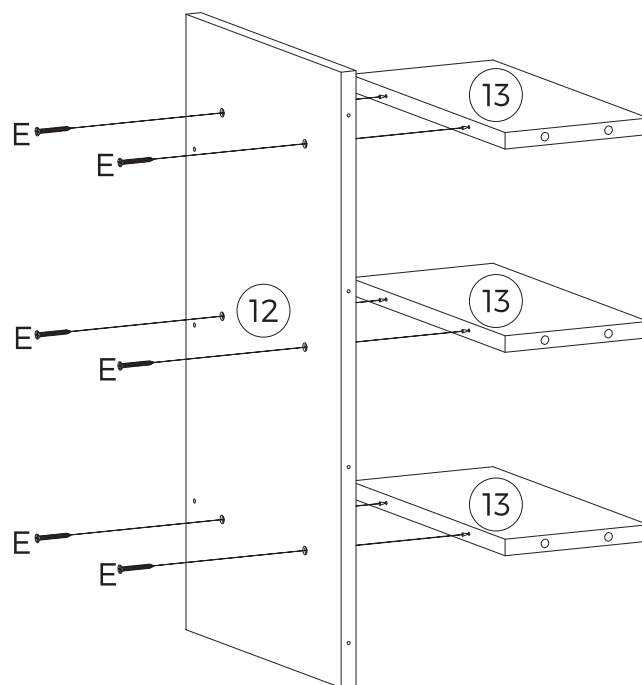


STEP 5

Part E

6pcs

ST3.5x35mm



STEP 6

Part A

6pcs
Φ6x40mm



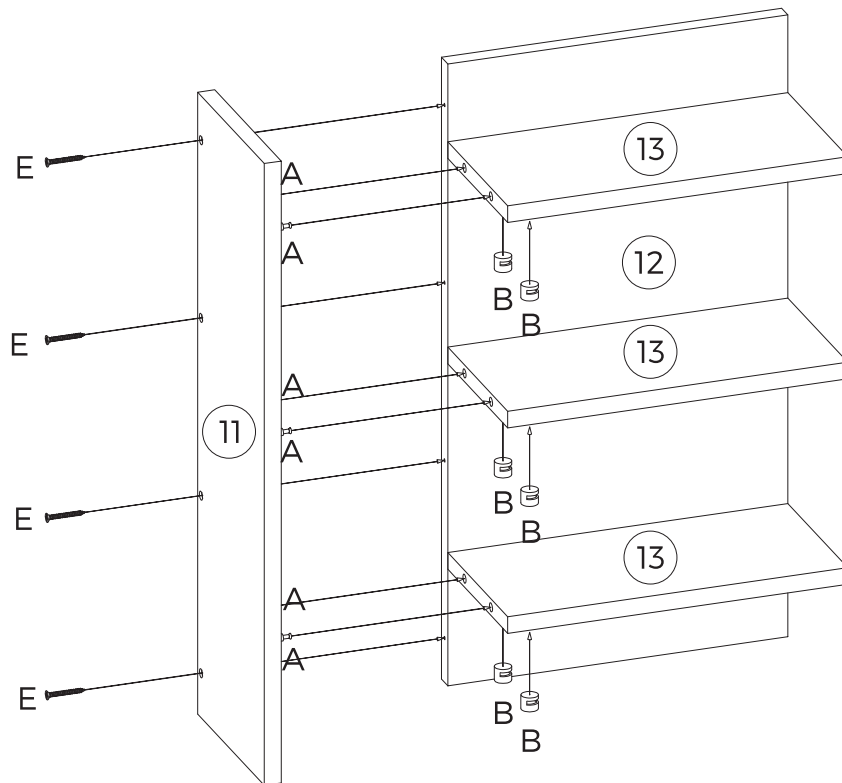
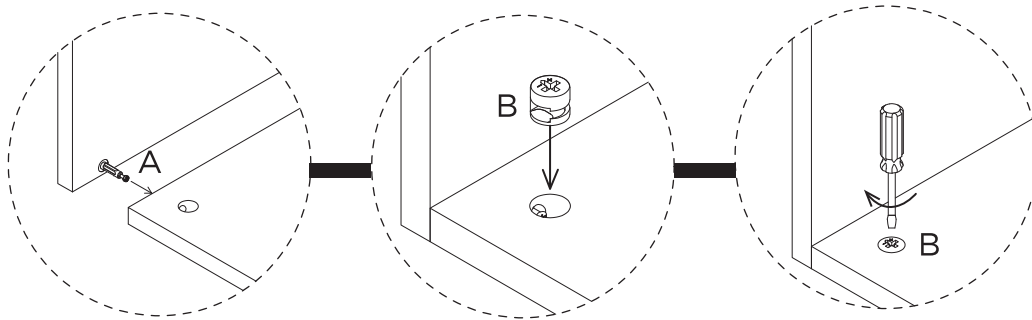
Part B

6pcs
Φ15x11mm



Part E

4pcs
ST3.5x35mm



STEP 7

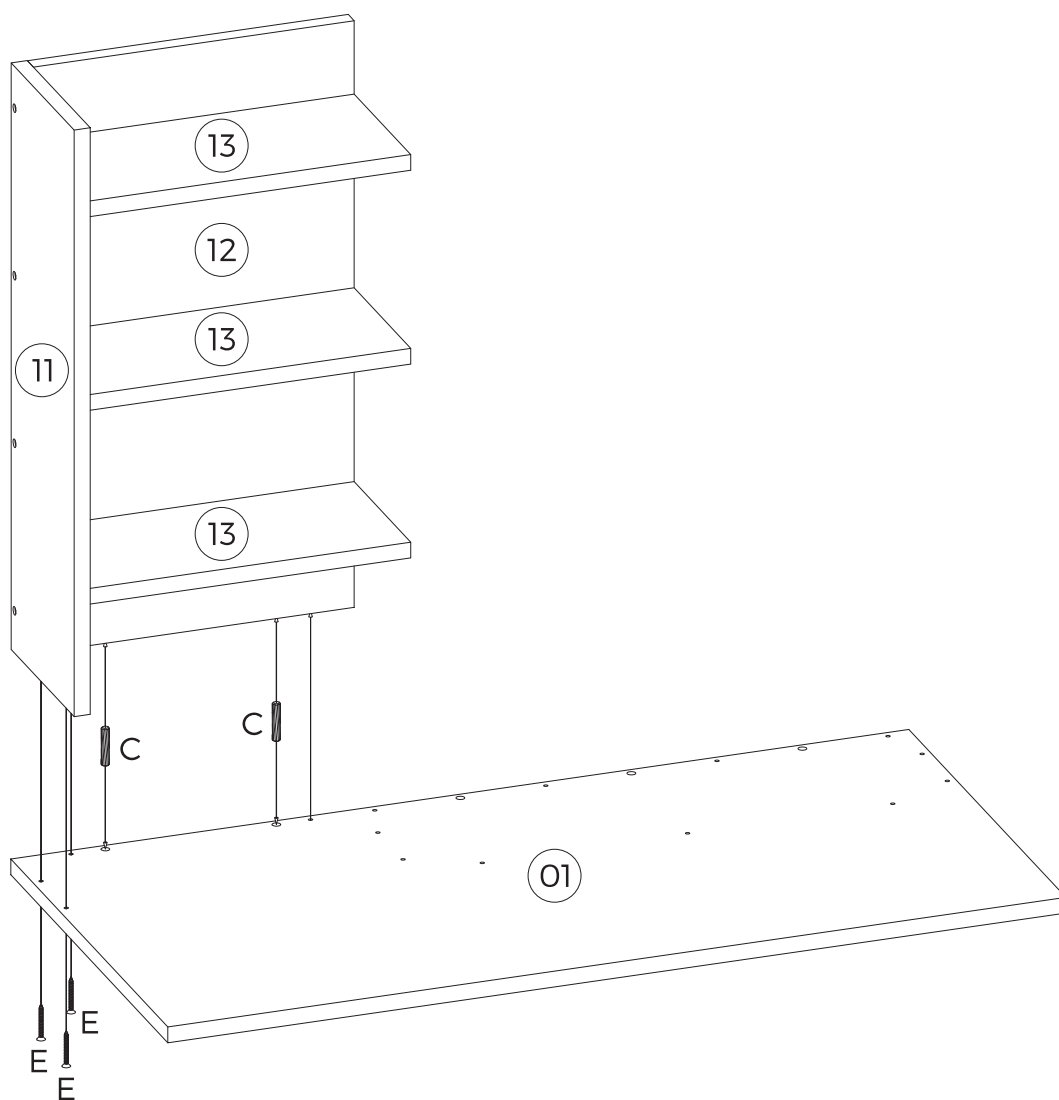
Part C

2pcs
Φ8x40mm



Part E

4pcs
ST3.5x35mm



STEP 8

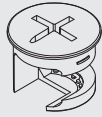
Part A

4pcs
Φ6x40mm



Part B

4pcs
Φ15x11mm



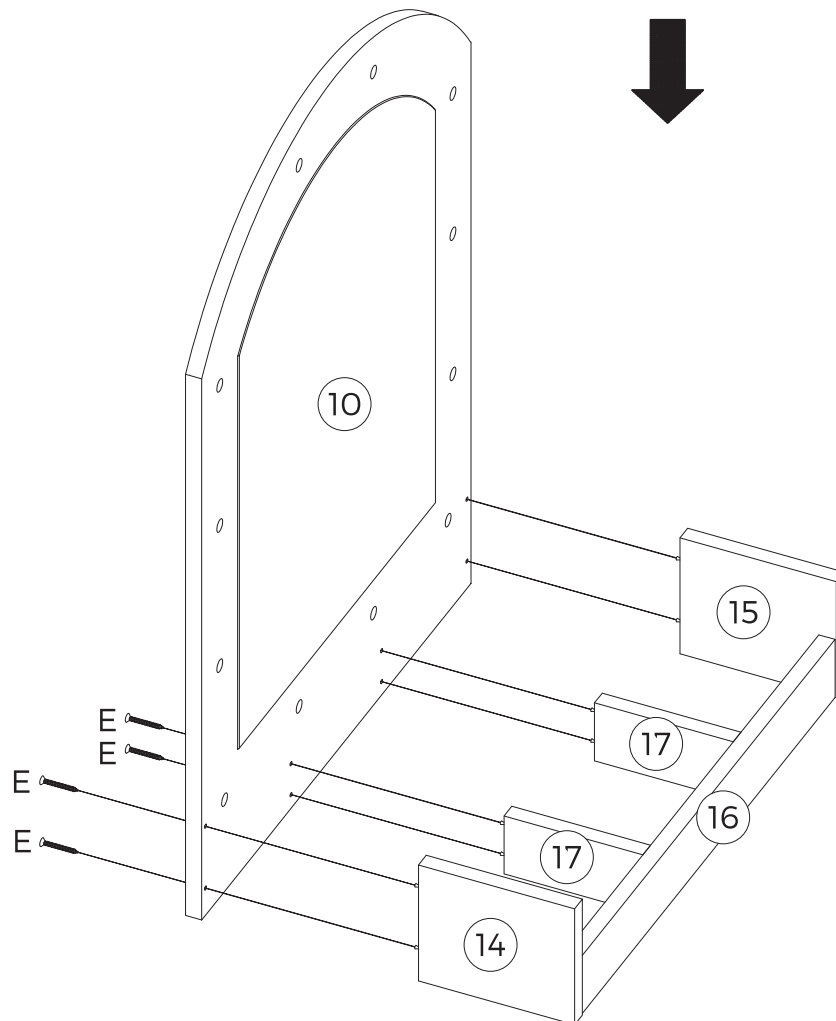
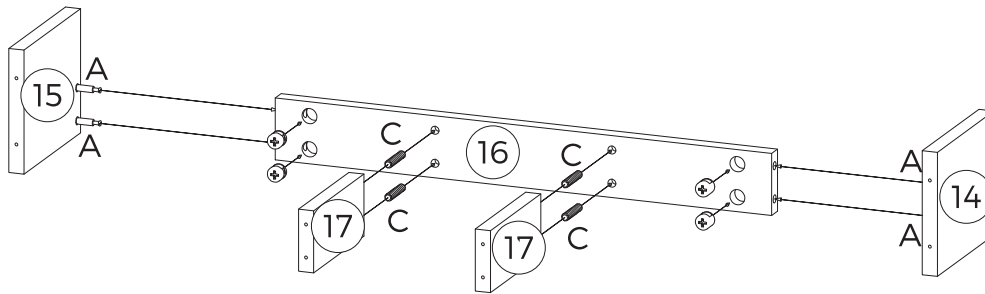
Part C

4pcs
Φ8x40mm



Part E

8pcs
ST3.5x35mm



STEP 9

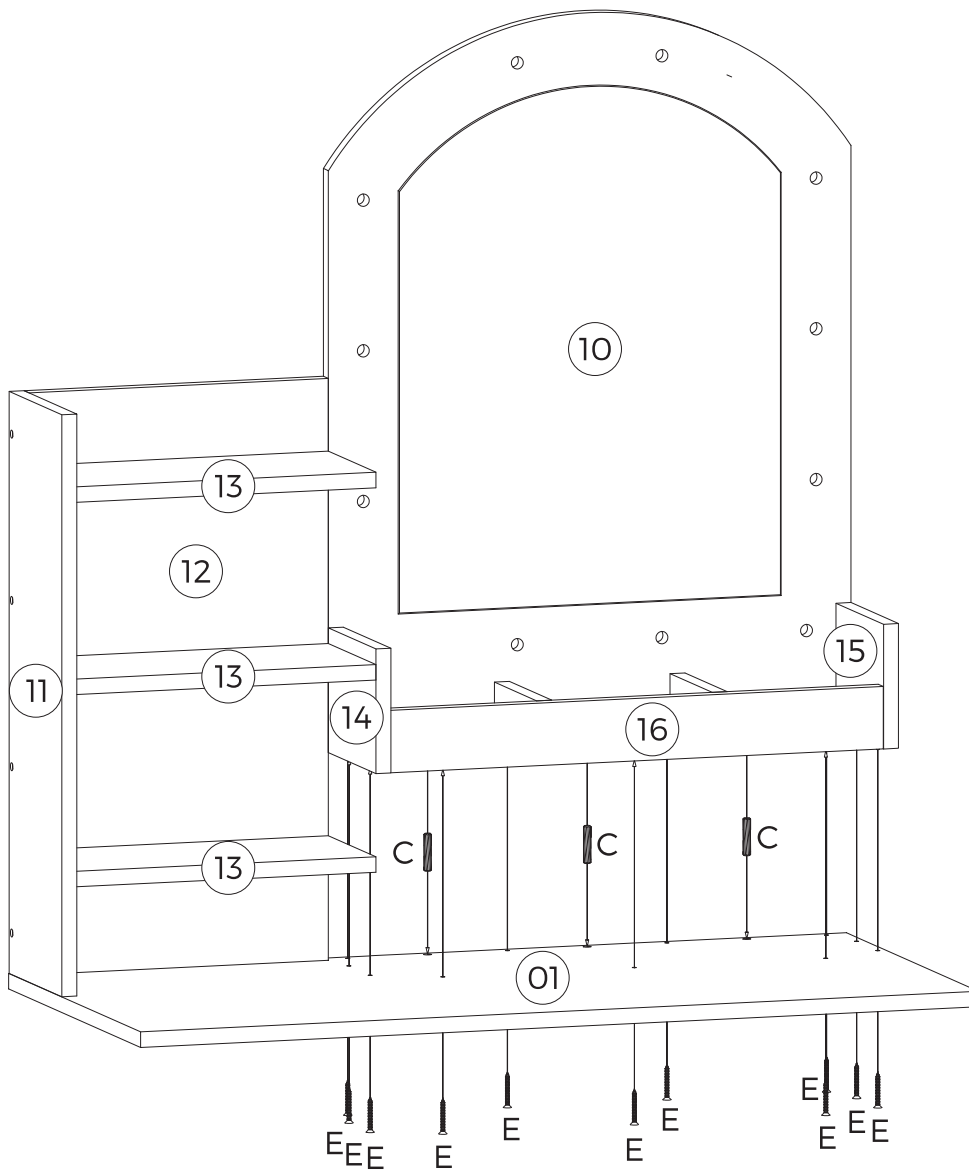
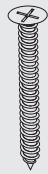
Part C

3pcs
Φ8x40mm



Part E

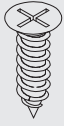
11pcs
ST3.5x35mm



STEP 10

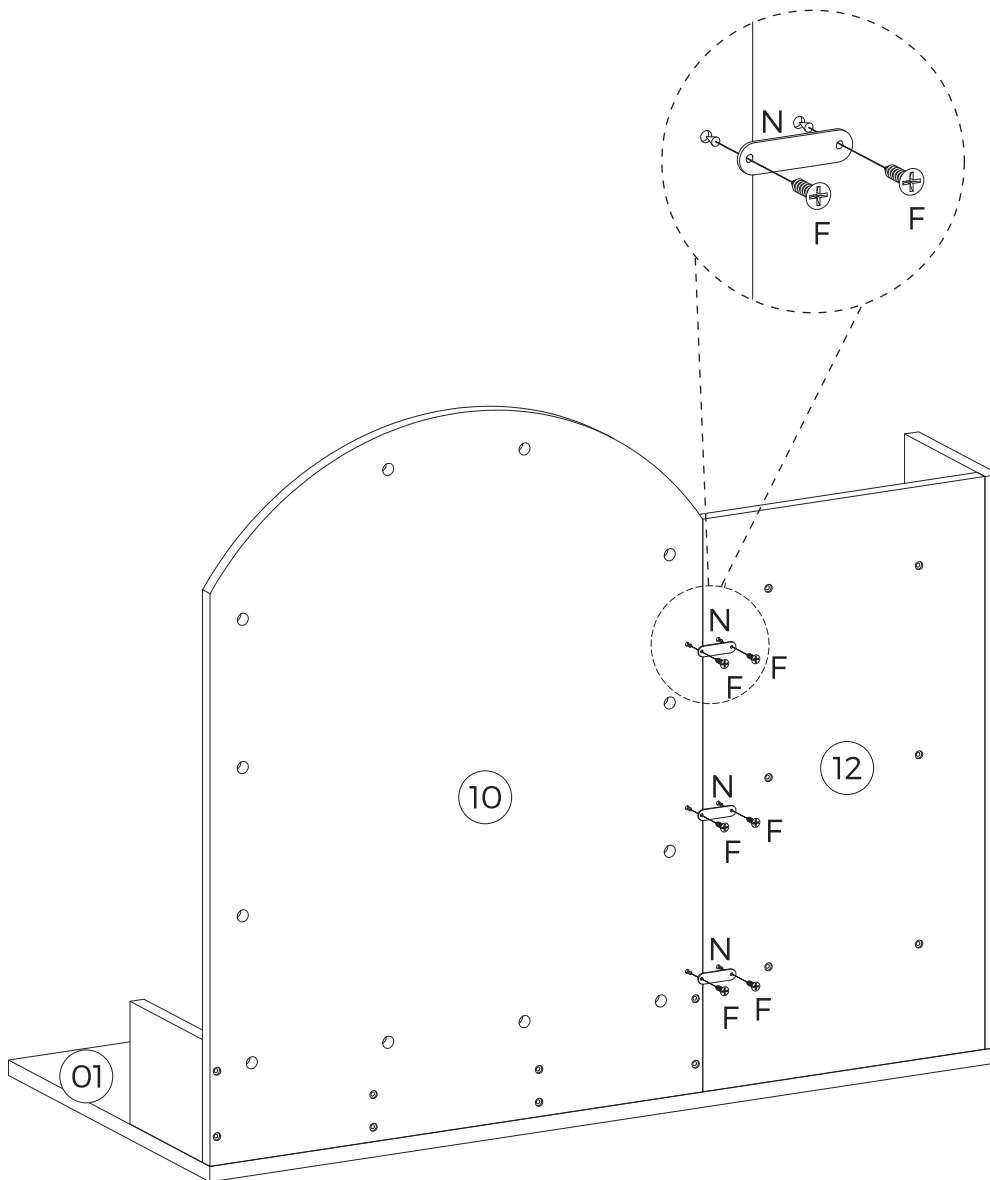
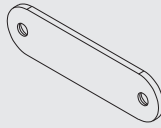
Part F

6pcs
ST3.5x14mm



Part N

3pcs



STEP 11

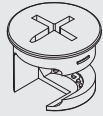
Part A

6pcs
Φ6x40mm



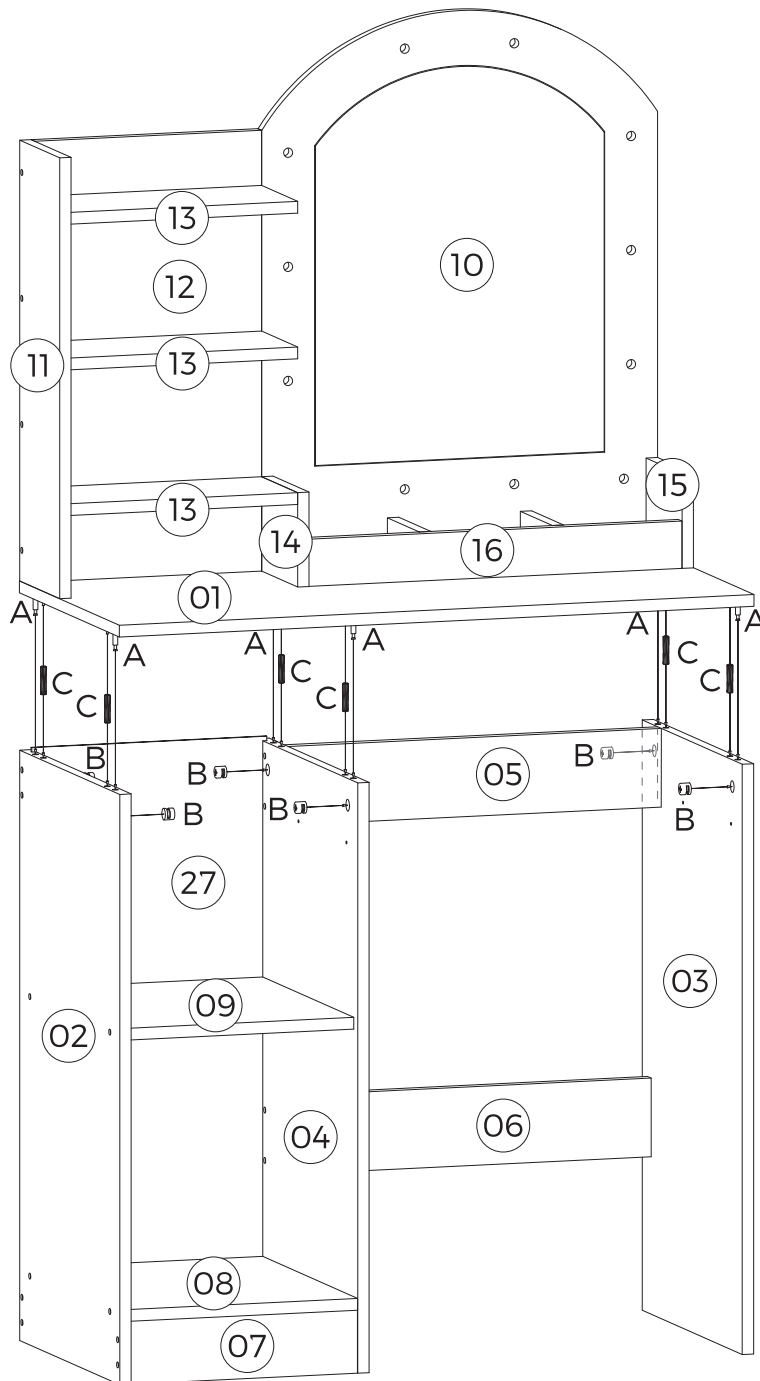
Part B

6pcs
Φ15x11mm



Part C

6pcs
Φ8x40mm



STEP 12

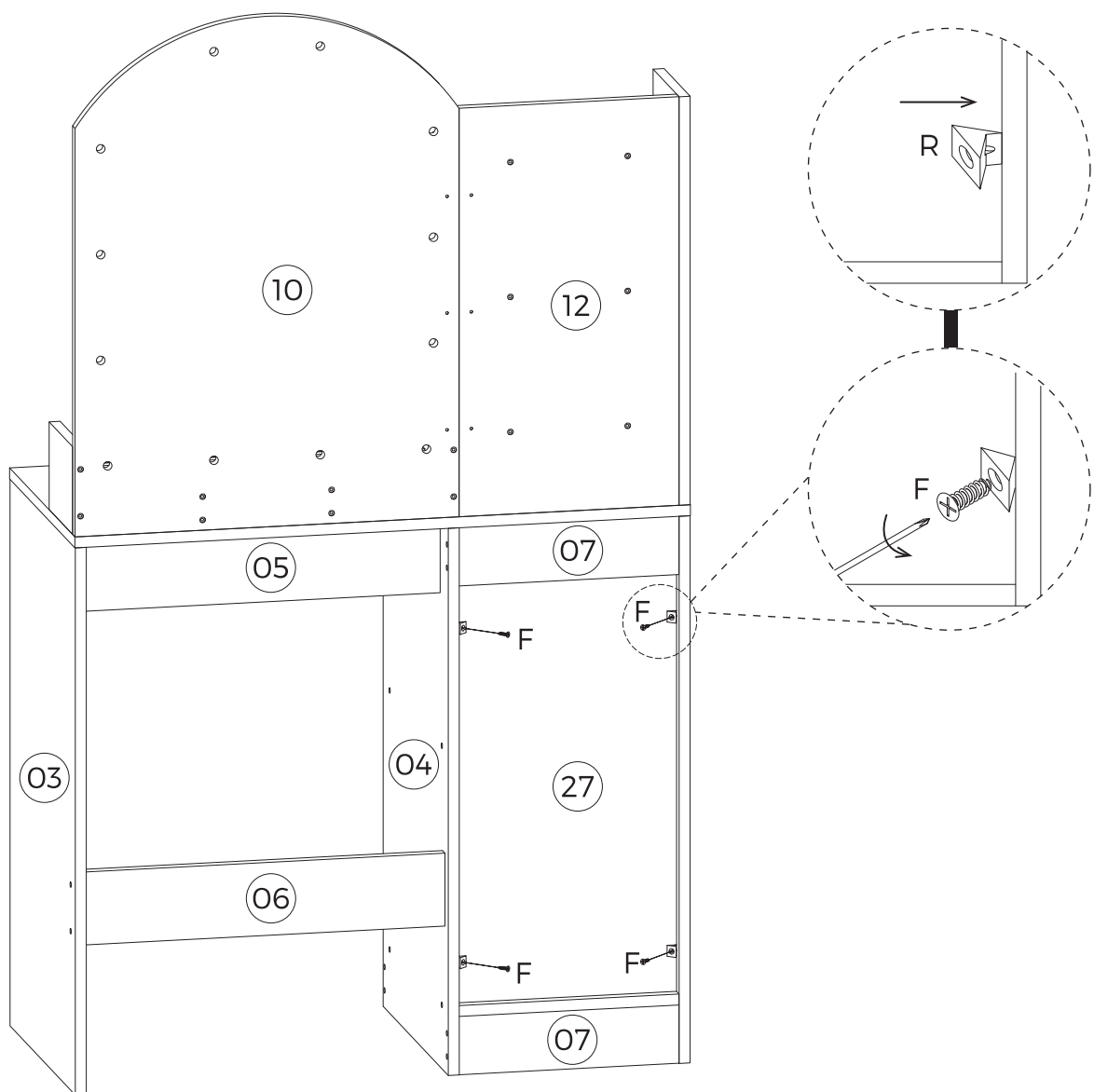
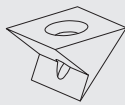
Part F

4pcs
ST3.5x14mm



Part R

4pcs



STEP 13

Part E

2pcs
ST3.5x35mm



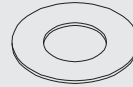
Part F

2pcs
ST3.5x14mm



Part J

4pcs



Part K

2pcs



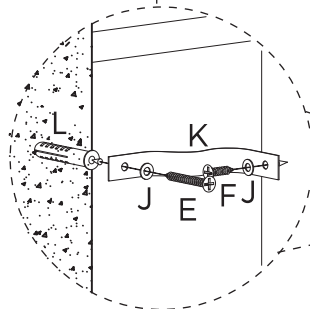
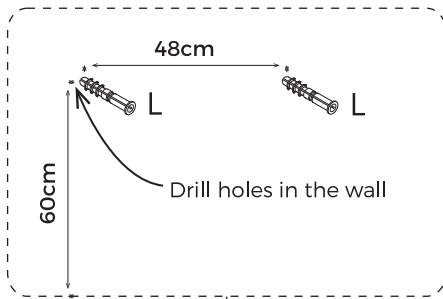
Part L

2pcs
Φ6x32mm



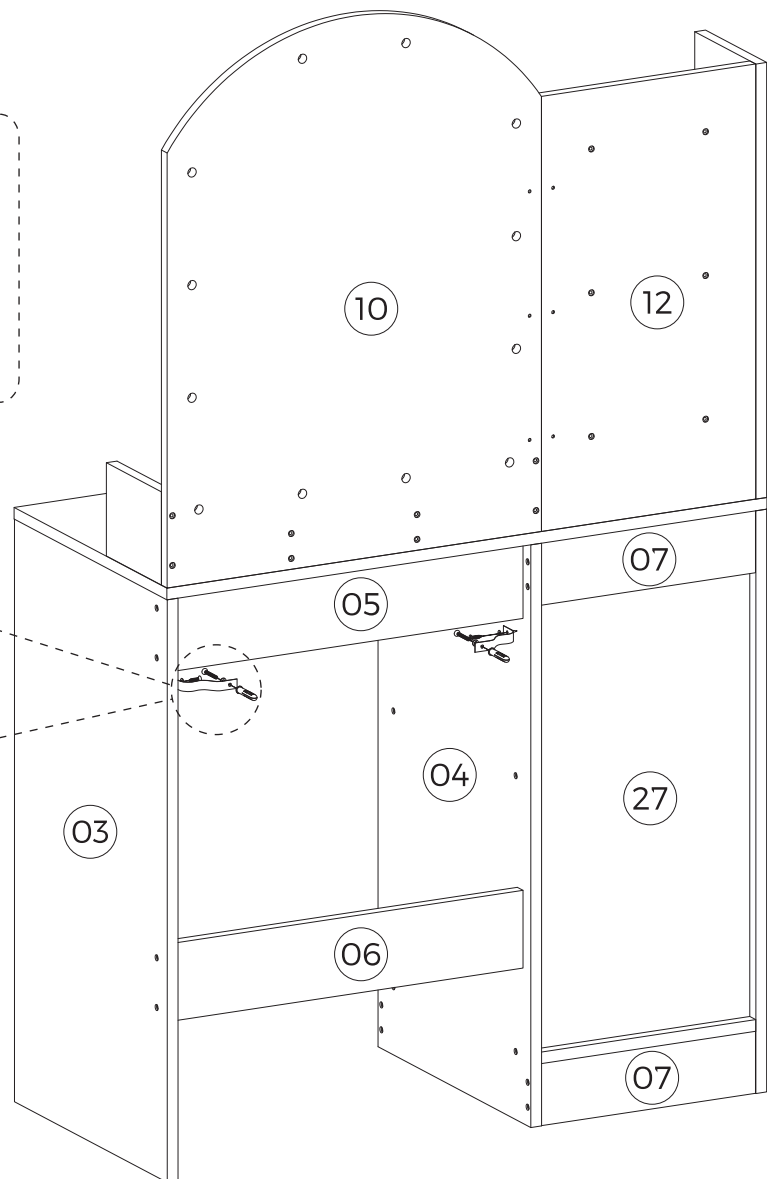
OPTIONAL •

Do this step only if you wish to secure the product to a wall. It is highly recommended that you do so for safety reasons.



x2

Assemble 2 sets



STEP 14

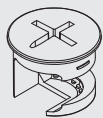
Part A

4pcs
 $\Phi 6 \times 40 \text{mm}$



Part B

4pcs
 $\Phi 15 \times 11 \text{mm}$



Part E

4pcs
 $\text{ST}3.5 \times 35 \text{mm}$



Part F

4pcs
 $\text{ST}3.5 \times 14 \text{mm}$



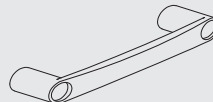
Part H2

1 Set
 2pcs



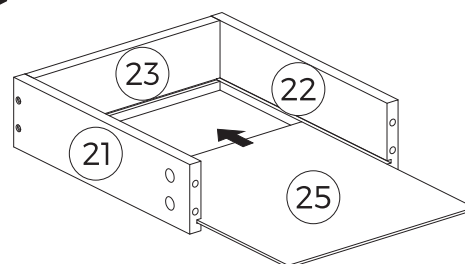
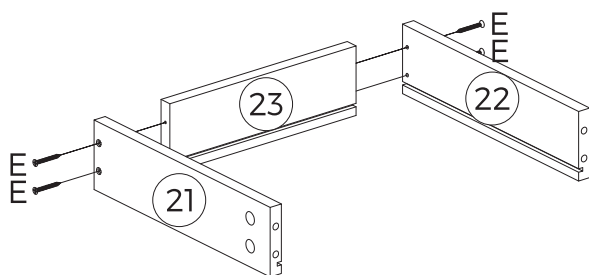
Part P

1pc

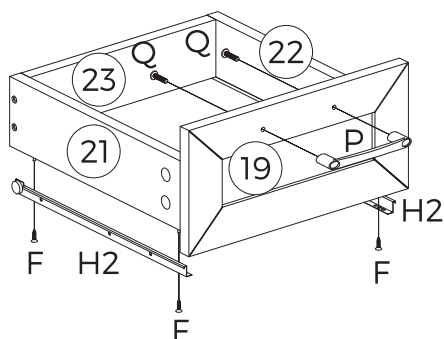
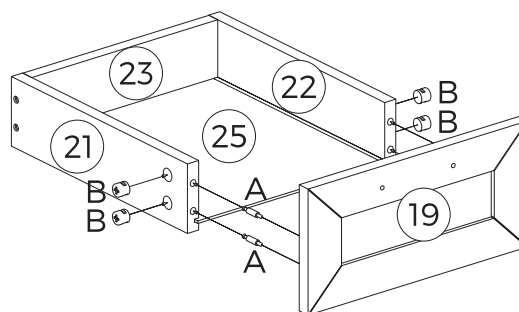


Part Q

2pcs
 $\text{M}4 \times 18 \text{mm}$



Small Drawer



STEP 15

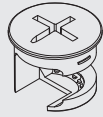
Part A

4pcs
 $\Phi 6 \times 40 \text{mm}$



Part B

4pcs
 $\Phi 15 \times 11 \text{mm}$



Part E

4pcs
 $\text{ST}3.5 \times 35 \text{mm}$



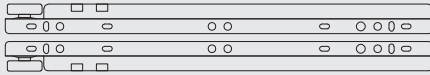
Part F

4pcs
 $\text{ST}3.5 \times 14 \text{mm}$



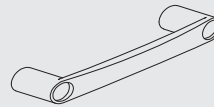
Part H2

1 Set
 2pcs



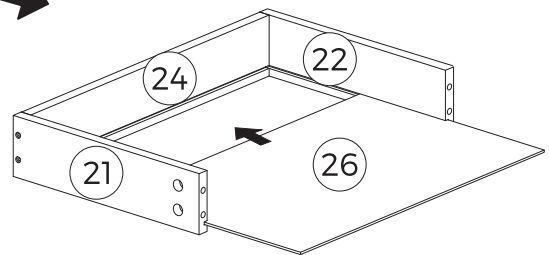
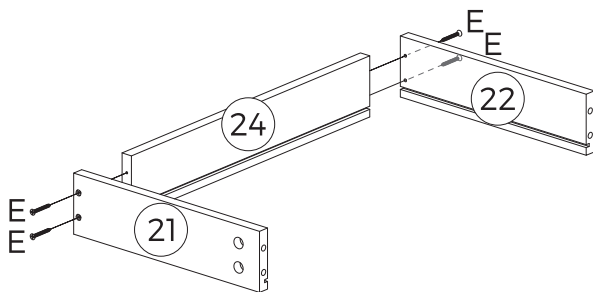
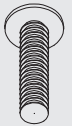
Part P

1pc

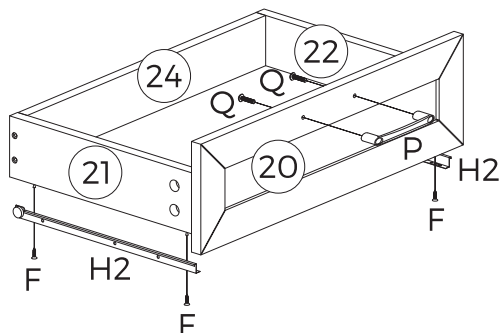
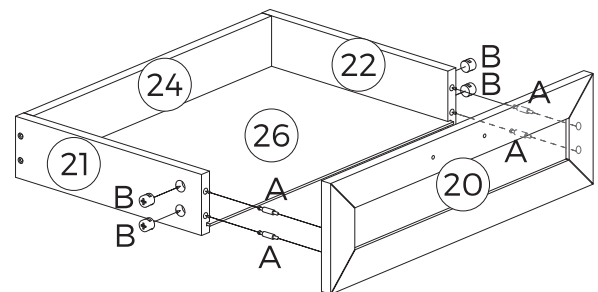


Part Q

2pcs
 $\text{M}4 \times 18 \text{mm}$



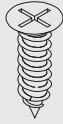
Large Drawer



STEP 16

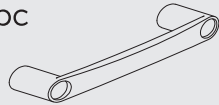
Part F

12pcs
ST3.5x14mm



Part P

1pc



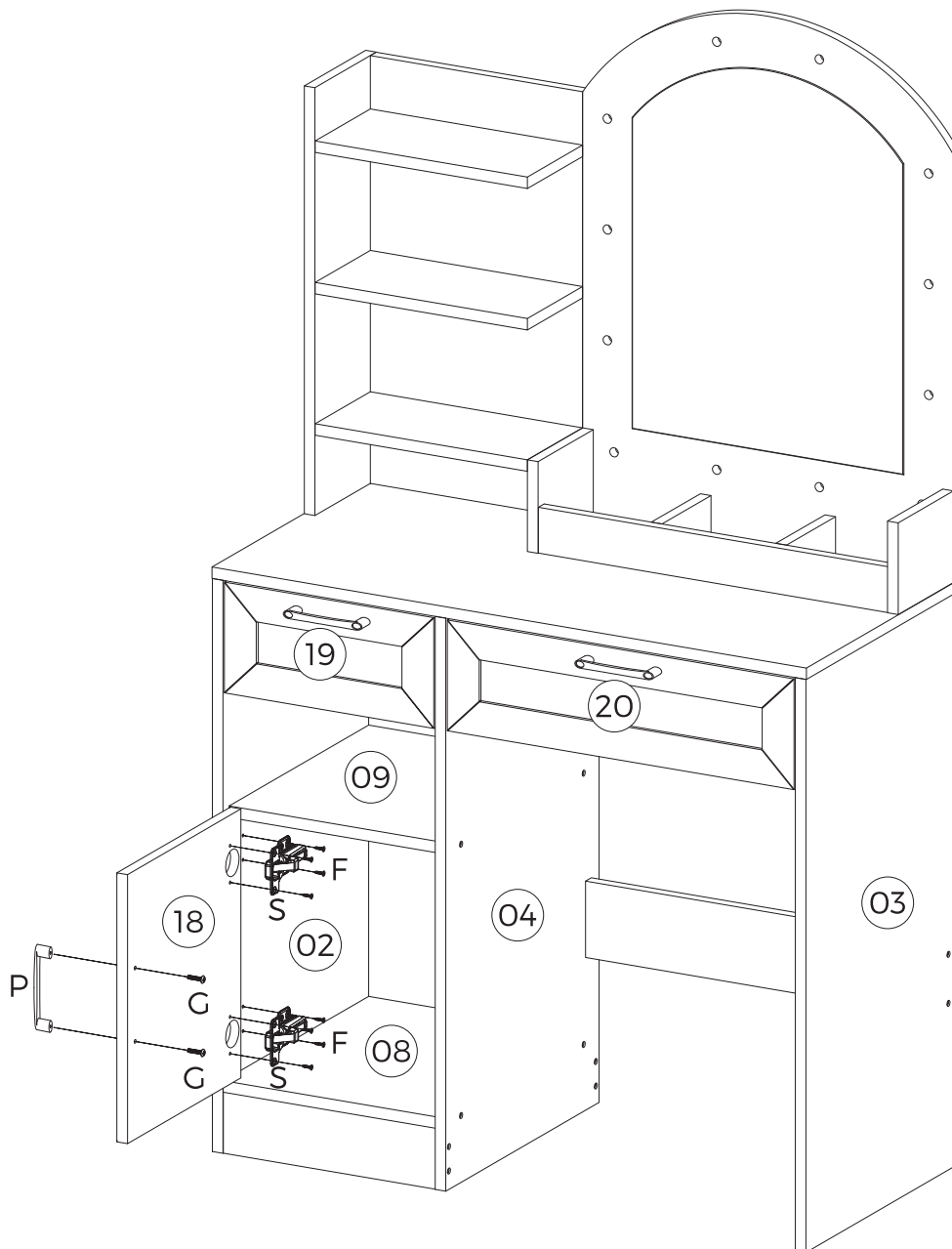
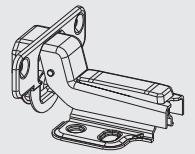
Part Q

2pcs
M4x18mm



Part S

2pcs



STEP 17

Part M

6pcs



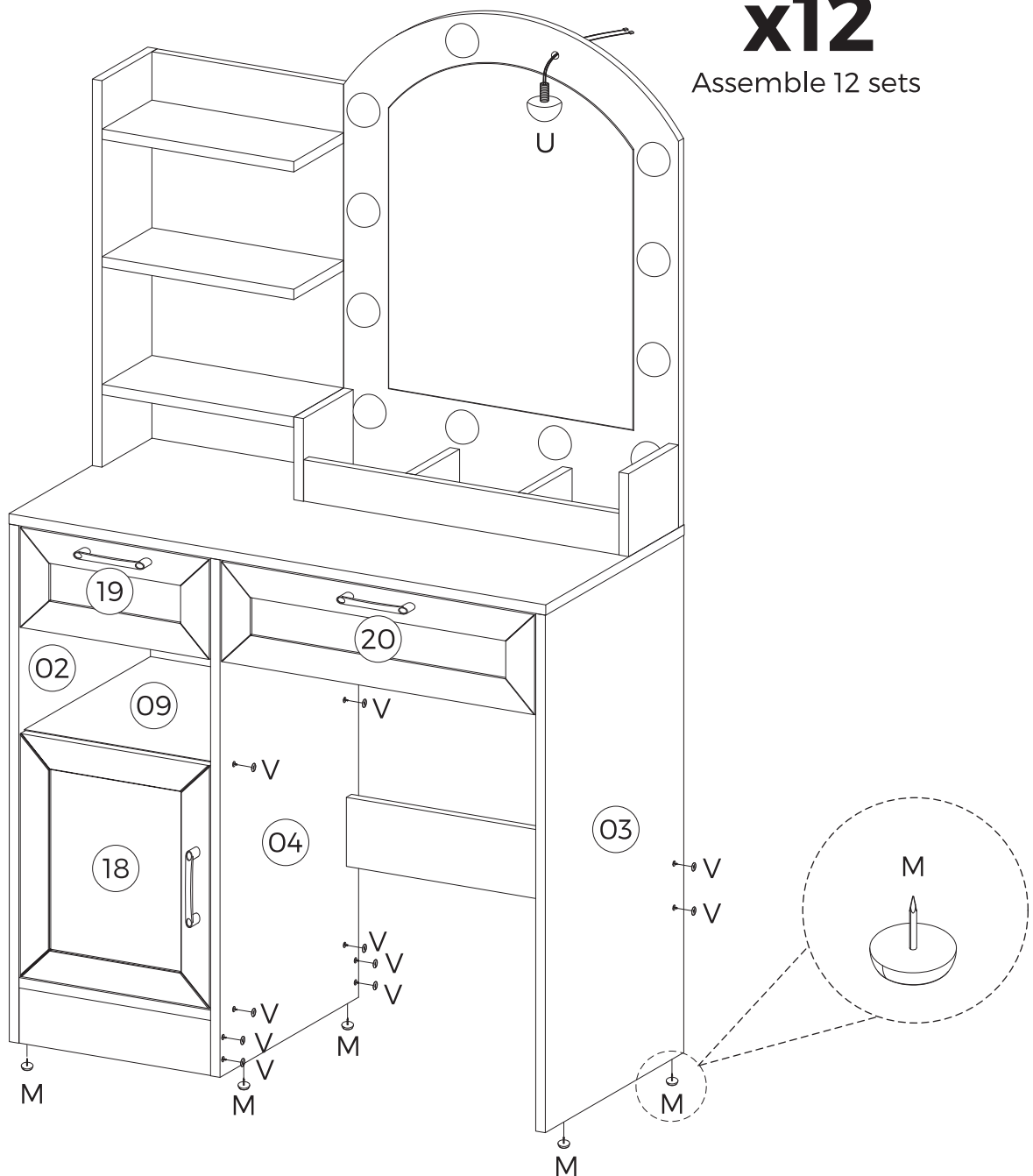
Part U

12pcs
LED Bulb



Part V

24pcs
Φ12mm



STEP 18

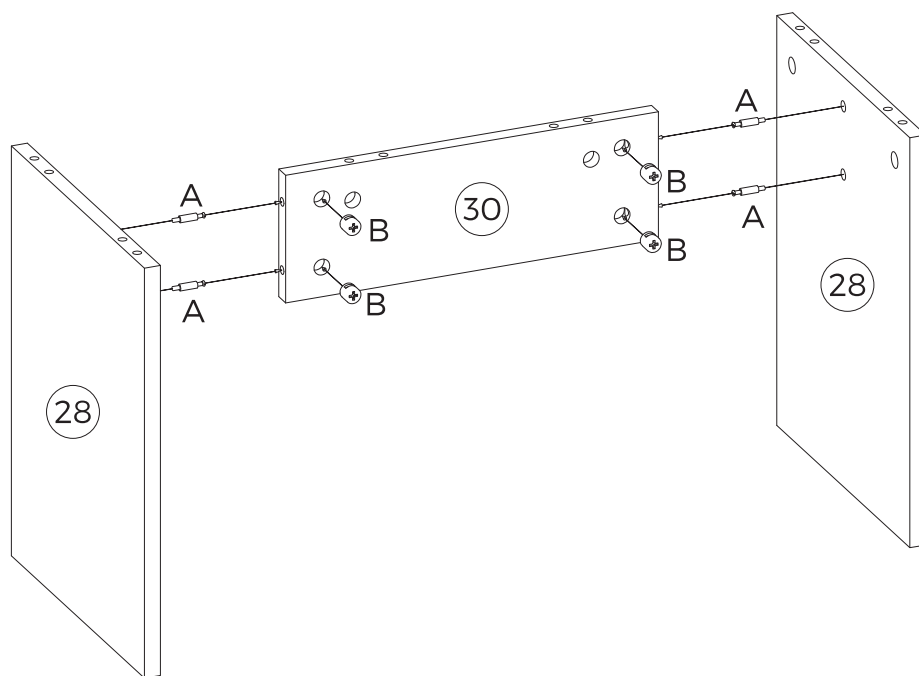
Part A

4pcs
Φ6x40mm



Part B

4pcs
Φ15x11mm



STEP 19

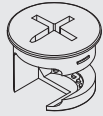
Part A

6pcs
Φ6x40mm



Part B

6pcs
Φ15x11mm



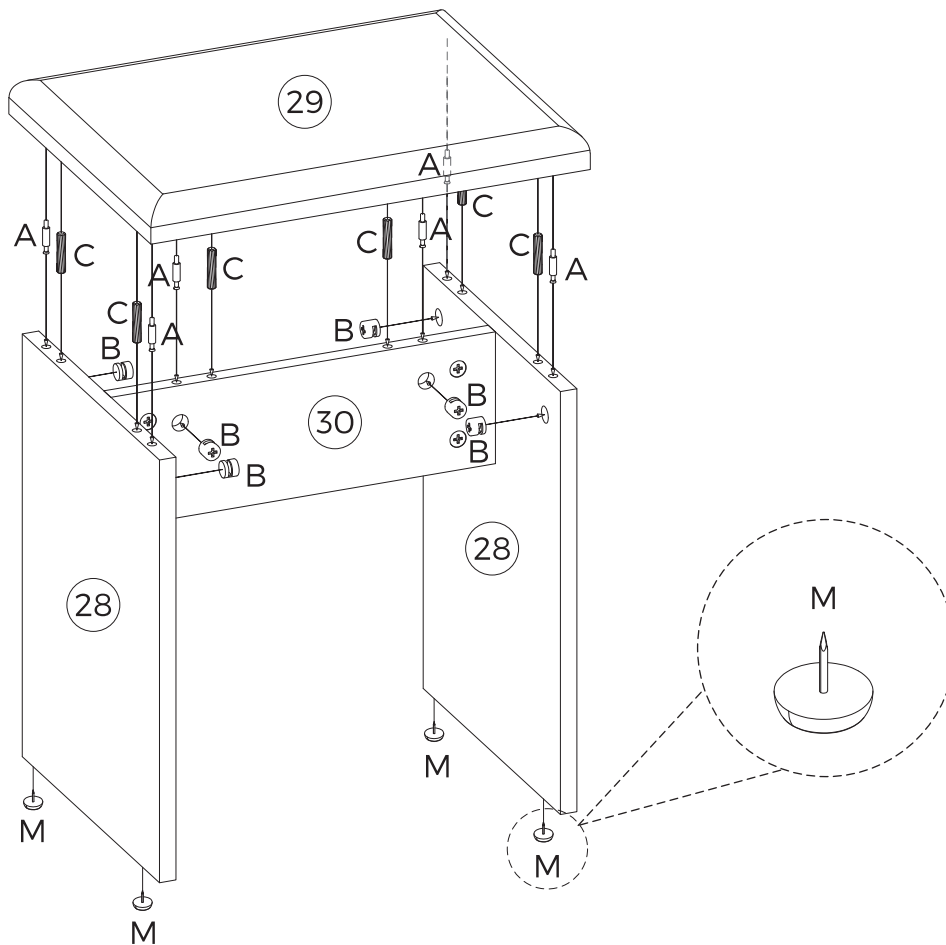
Part C

6pcs
Φ8x40mm

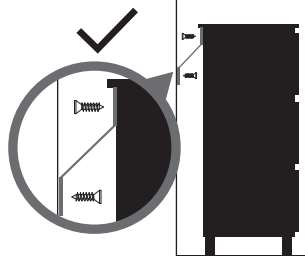


Part M

4pcs



⚠ WARNING



Children have died from furniture tipover.

- ALWAYS secure it with an anchor device.
- NEVER allow children to stand, climb or hang on drawers, doors, or shelves.
- NEVER open more than one drawer at a time.
- Place heavy items down low.

NEVER put a TV on this furniture



Well done!

**Love our furniture?
Share it!**

Tag us on instagram or facebook

@KampradsOikos1943

ikiture[®]