
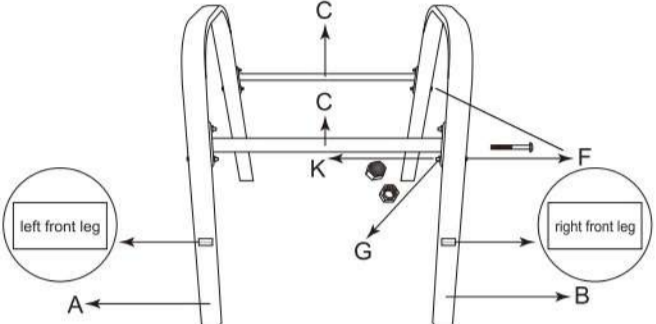

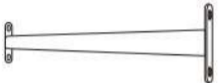

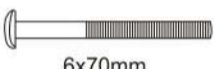








Assembly Instructions

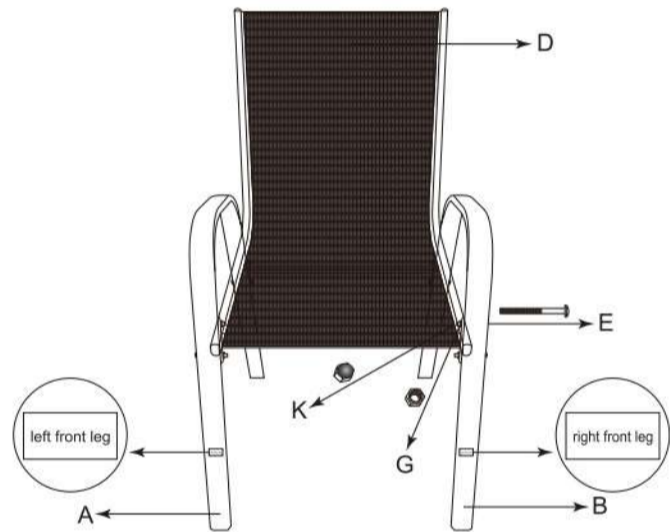
OPS-TXL-CH

Do not fully tighten the screws until all of them are aligned properly with the holes.

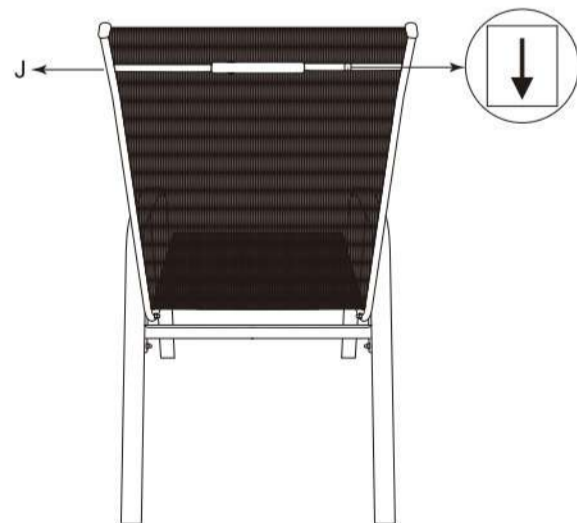
If the legs are uneven on the ground during assembly, loosen some screws and add some pressure on the frame to ensure the legs are even. Then tighten the screws diagonally.

A	 <p>left front leg</p>	1PCS	 <p>1. Install legs together and fasten screw, it is very important that make sure 4 feet be on the same horizontal plane, it is not allowed that each one foot is higher or lower</p>
B	 <p>right front leg</p>	1PCS	
C		2PCS	
D		1PCS	
E	 <p>6x70mm</p>	4PCS	
F	 <p>6x55mm</p>	4PCS	
G		8PCS	
H		1PCS	
I		1PCS	
J		1PCS	
K		8PCS	

1. Install legs together and fasten screw, it is very important that make sure 4 feet be on the same horizontal plane, it is not allowed that each one foot is higher or lower



2. Fix the seat board with chair legs, pls distinguish front leg from rear leg .



3. Fasten back bar. Adjust the length of bar to fit the hole site of chair back. Tighten it in the direction of the arrow.

Don't let the product fully expose under the Sun or in rain.

The lifespan will shorten under prolonged sunshine and raining.