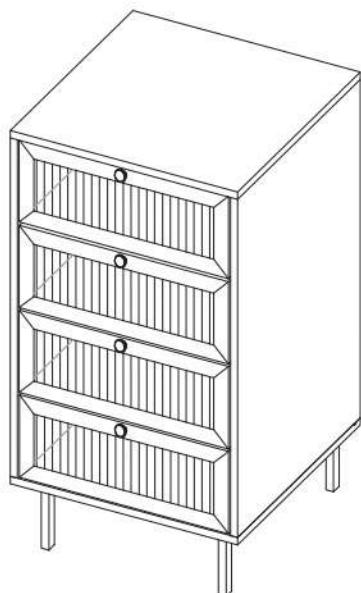


CHEST OF DRAWER

MODEL:COD-UNIQ-02-WH



ASSEMBLY INSTRUCTIONS

Please read instructions carefully before assembly.

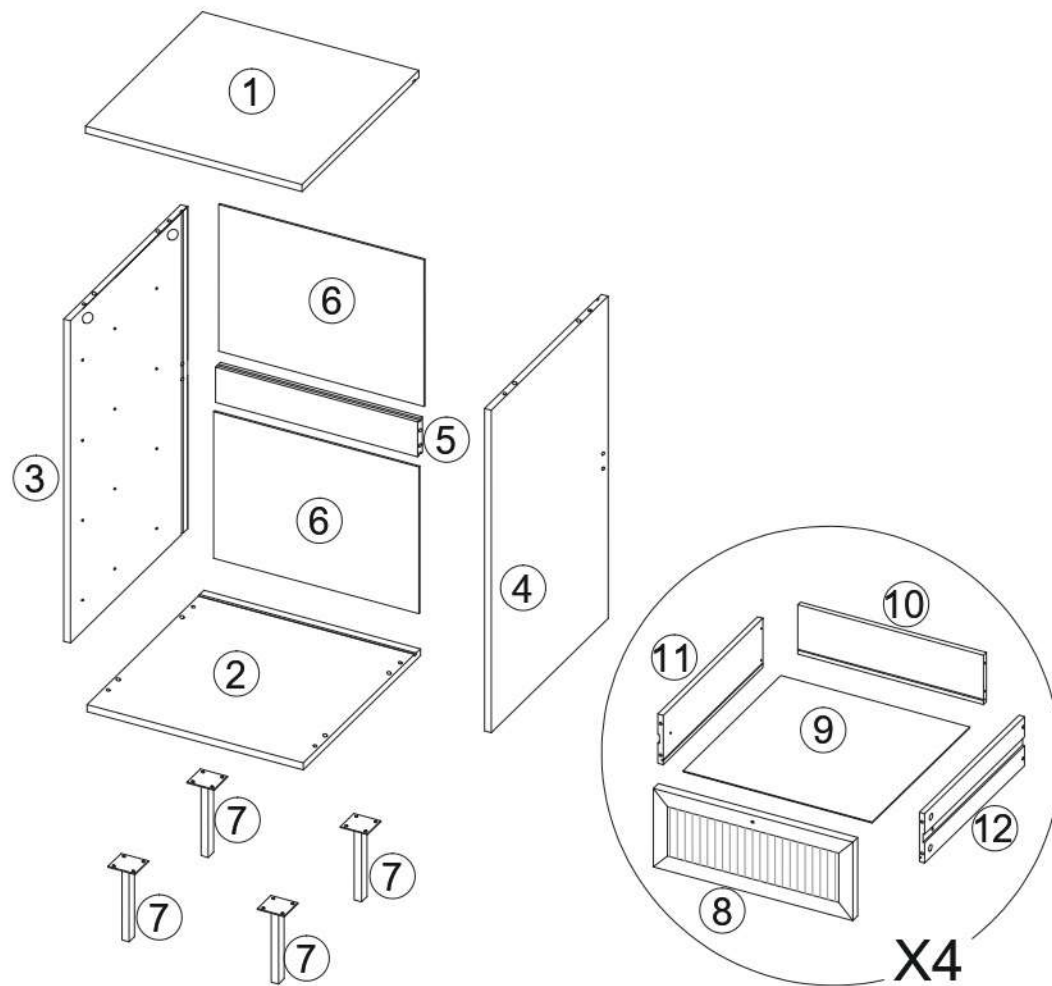


Two persons and tools required for assembly

HARDWARE

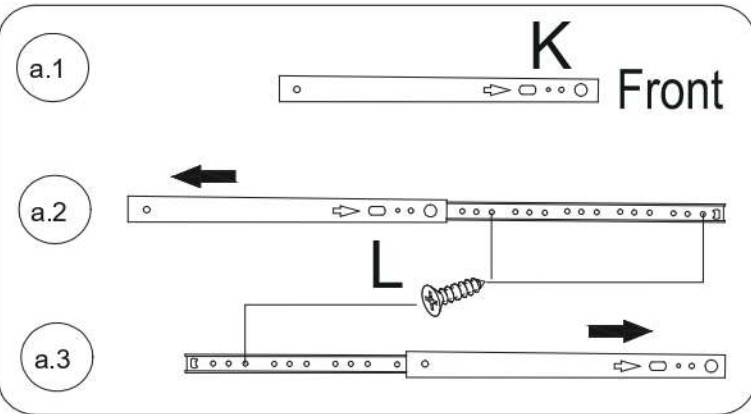
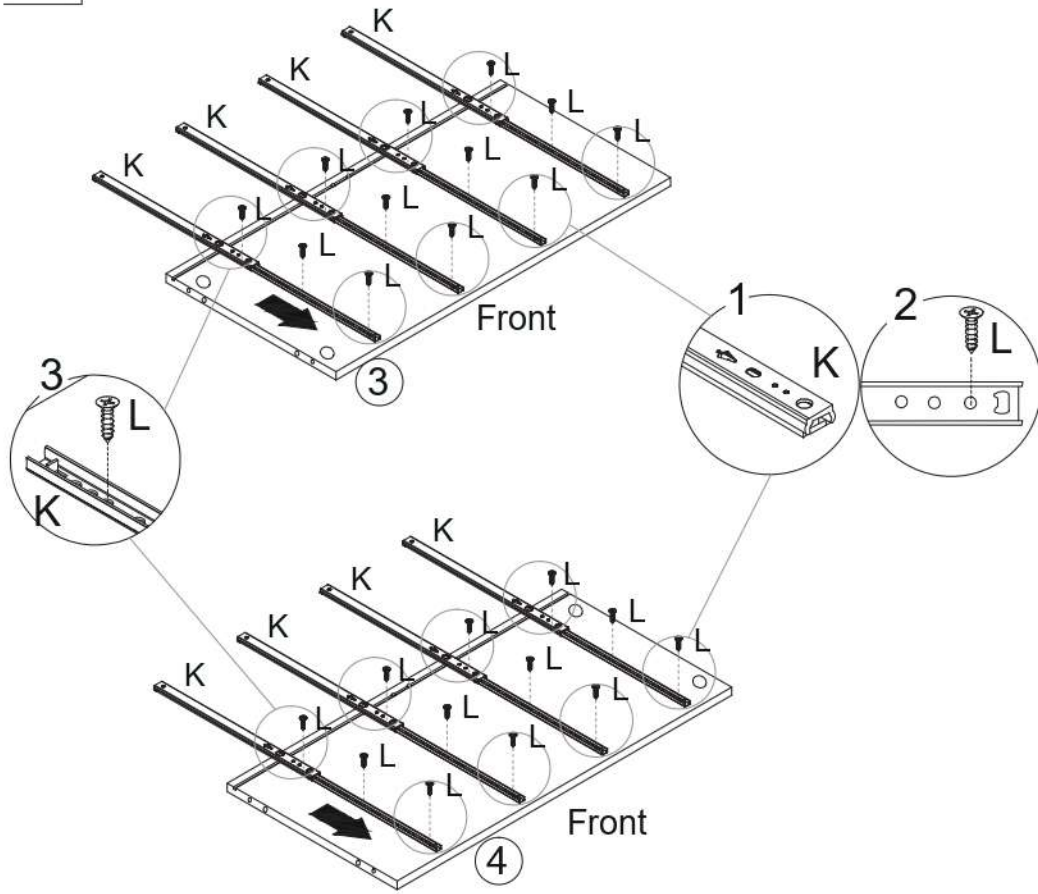
A	x20	B	x4	C	x8	D	x24	E	x4	F	x24
7x35mm		15x12mm		Ø6x30mm		M4x40mm				M3x14mm	
G	x8	H	x16	I	x4	J	x4	K	x8	L	x24
M4x11mm		12x10mm		M4x20mm						M3x12mm	
M	x18	N	x2	O	x2	P	x2				
M4x14mm		M4x30mm									

PARTS

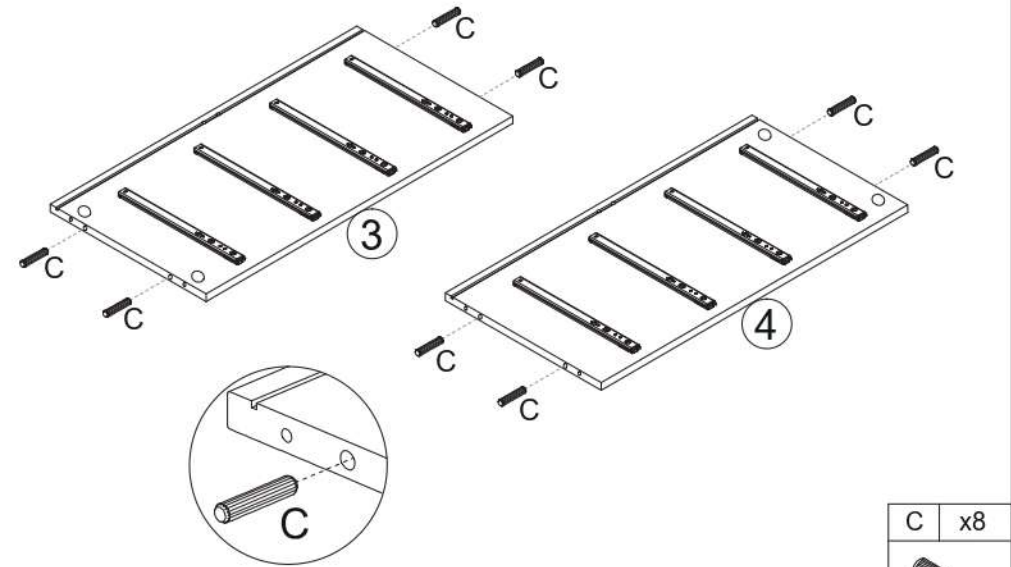


Wipe only with a dry cloth

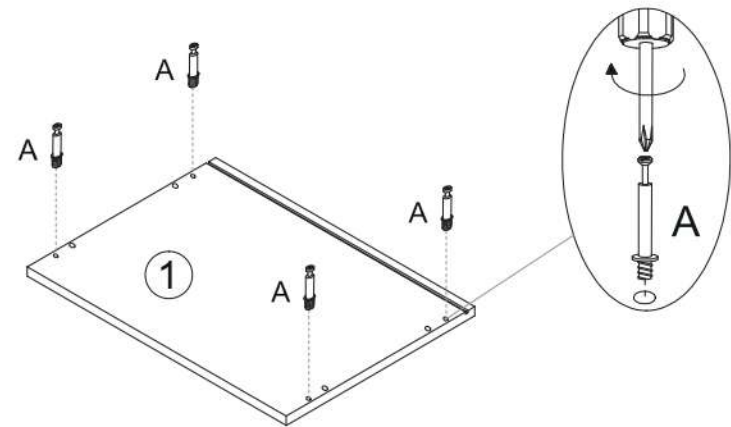
1



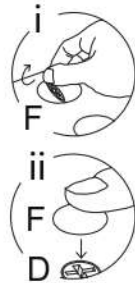
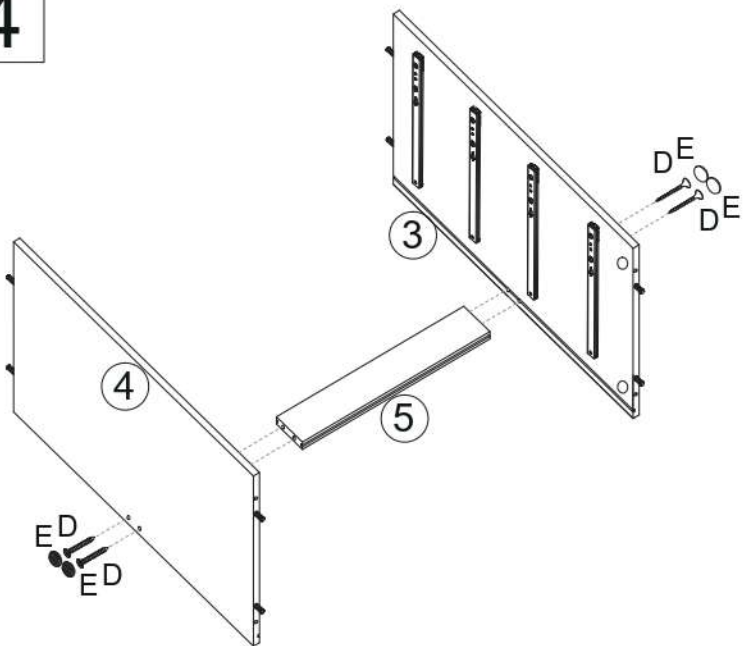
2





3



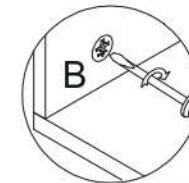
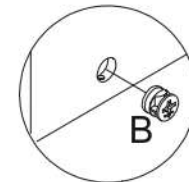
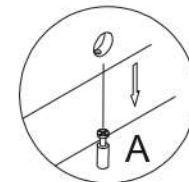
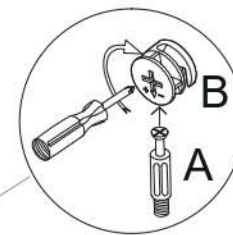
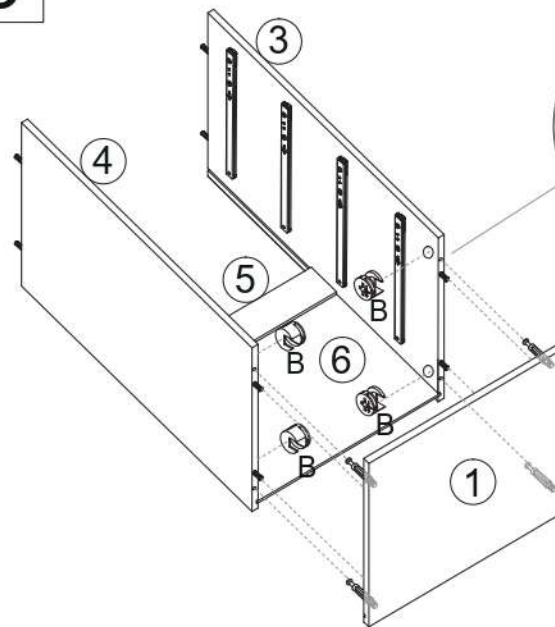
4




Peel off the cover from F and place it over D

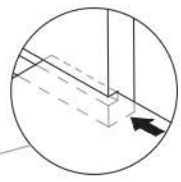
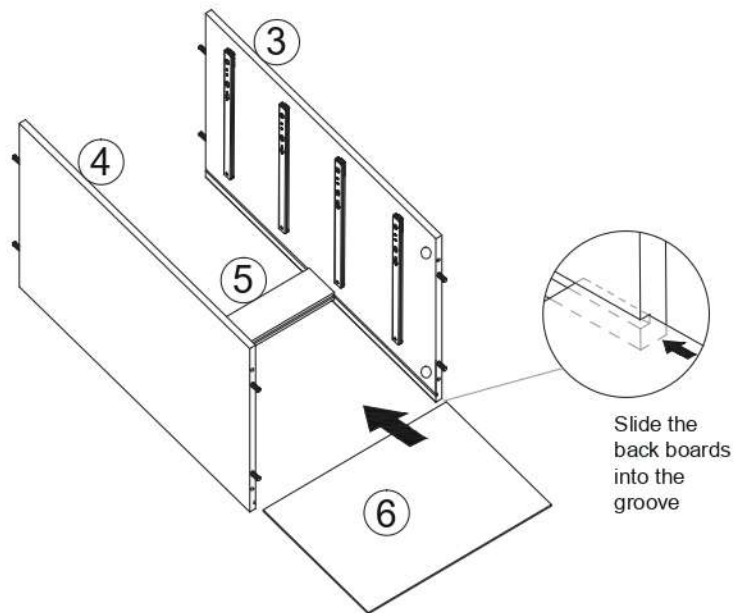
D	x4	E	x4
			
M4x40mm			

6



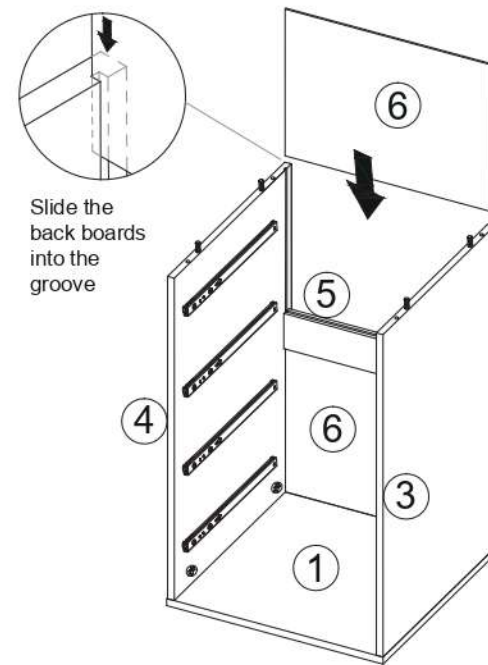
B	x4
	
15x12mm	

5



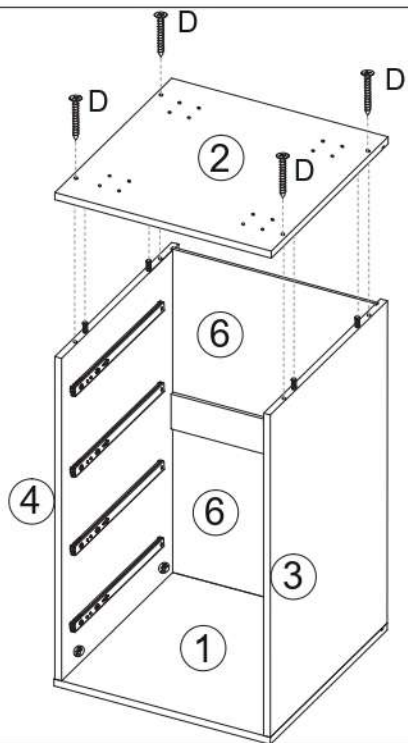
Slide the back boards into the groove


7



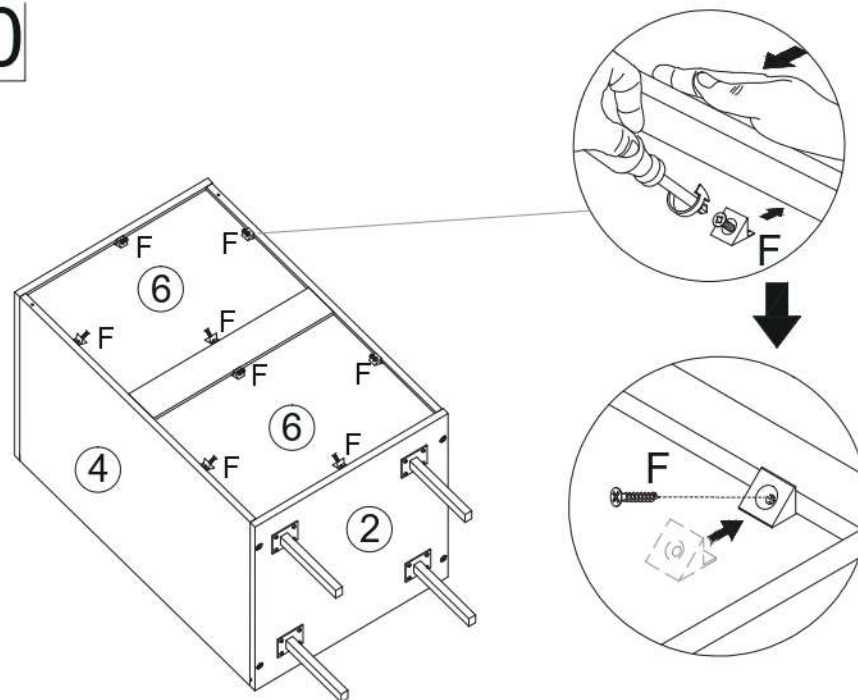
Slide the back boards into the groove


8



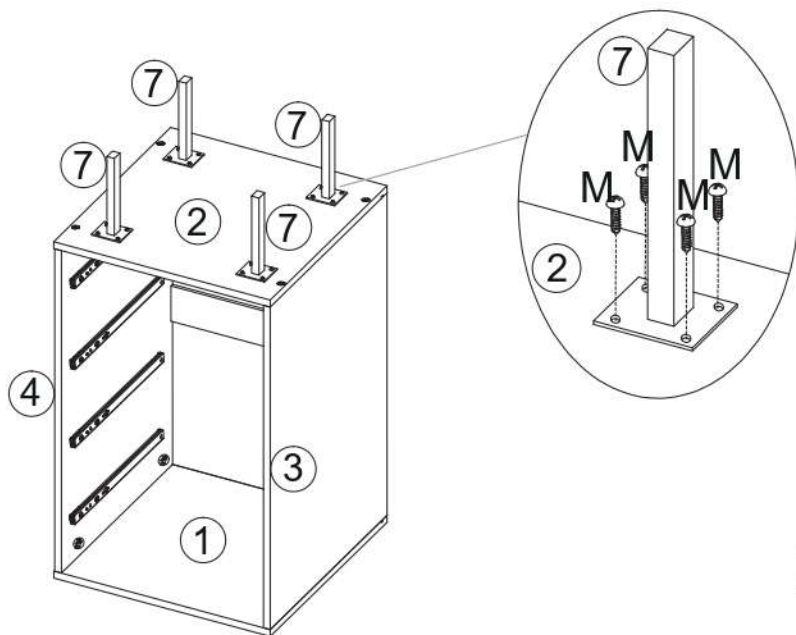
D	x4
	
M4x40mm	

10



F	x8
	
M3x14mm	

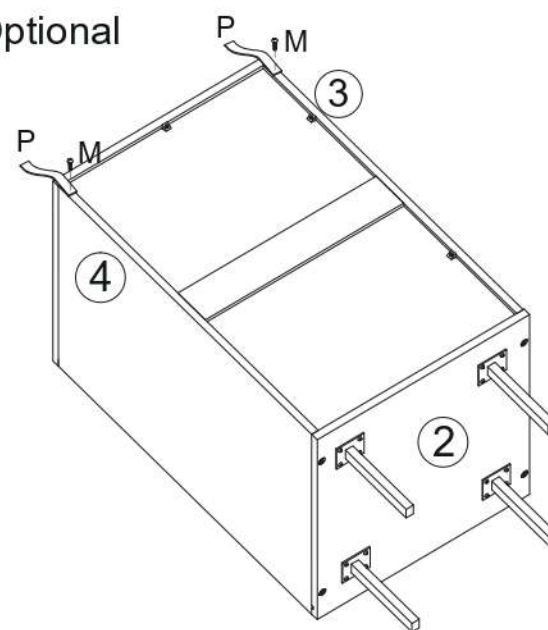
9





M	x16
	
M4x14mm	

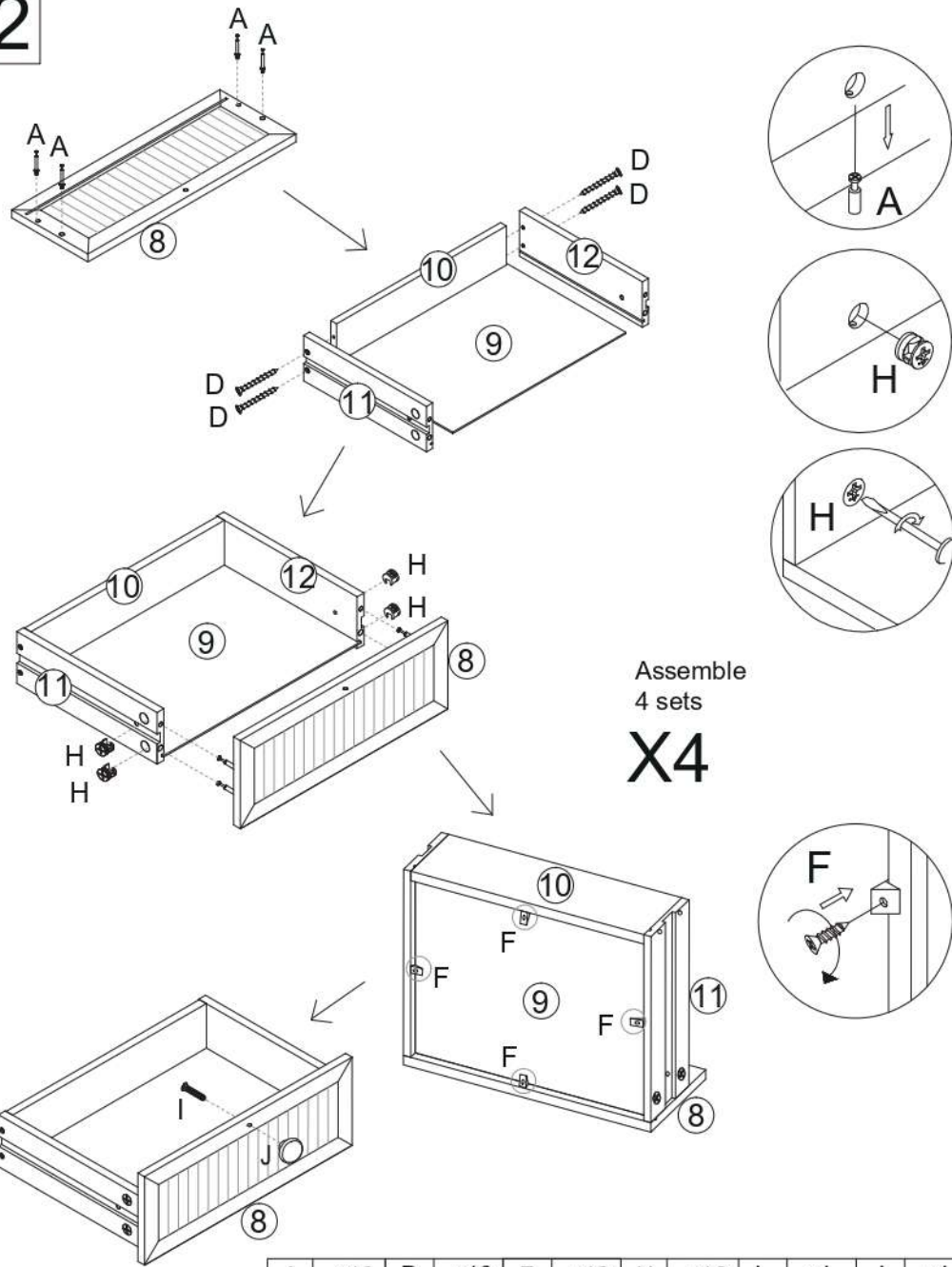
11

Optional



M	x2	P	x2
			
M4x14mm			

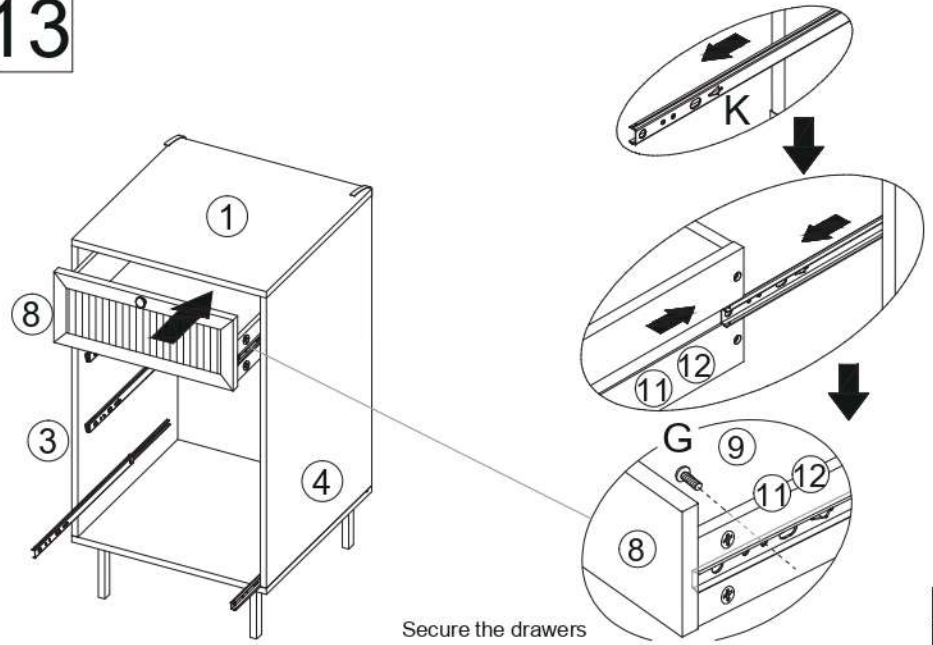
12



Assemble
4 sets
X4

A	x16	D	x16	F	x16	H	x16	I	x4	J	x4
7x35mm		M4x40mm		M3x14mm		12x10mm		M4x20mm			

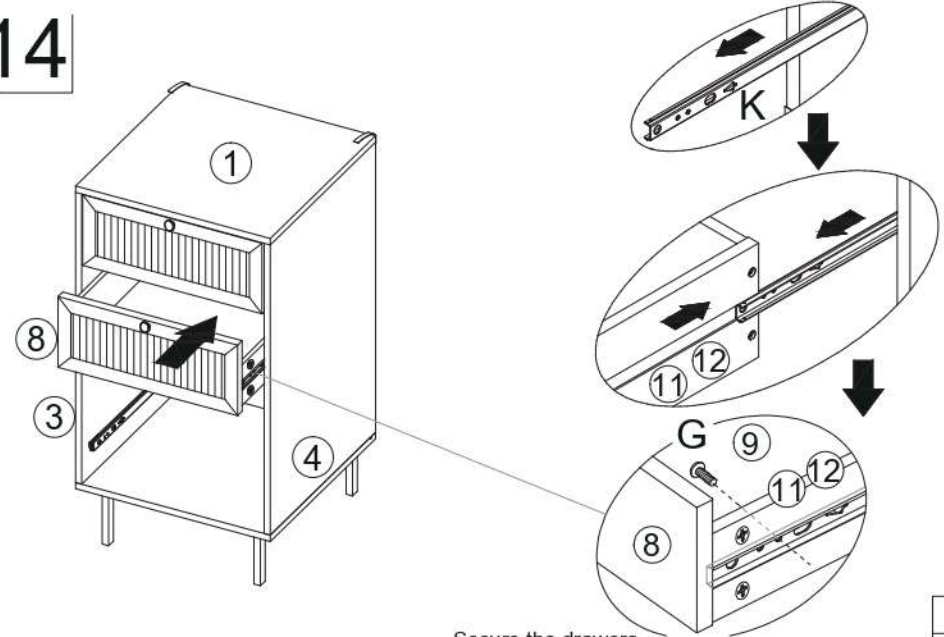
13



Secure the drawers
to the rails with
screws G from inside
of the drawers

G	x2
M4x11mm	

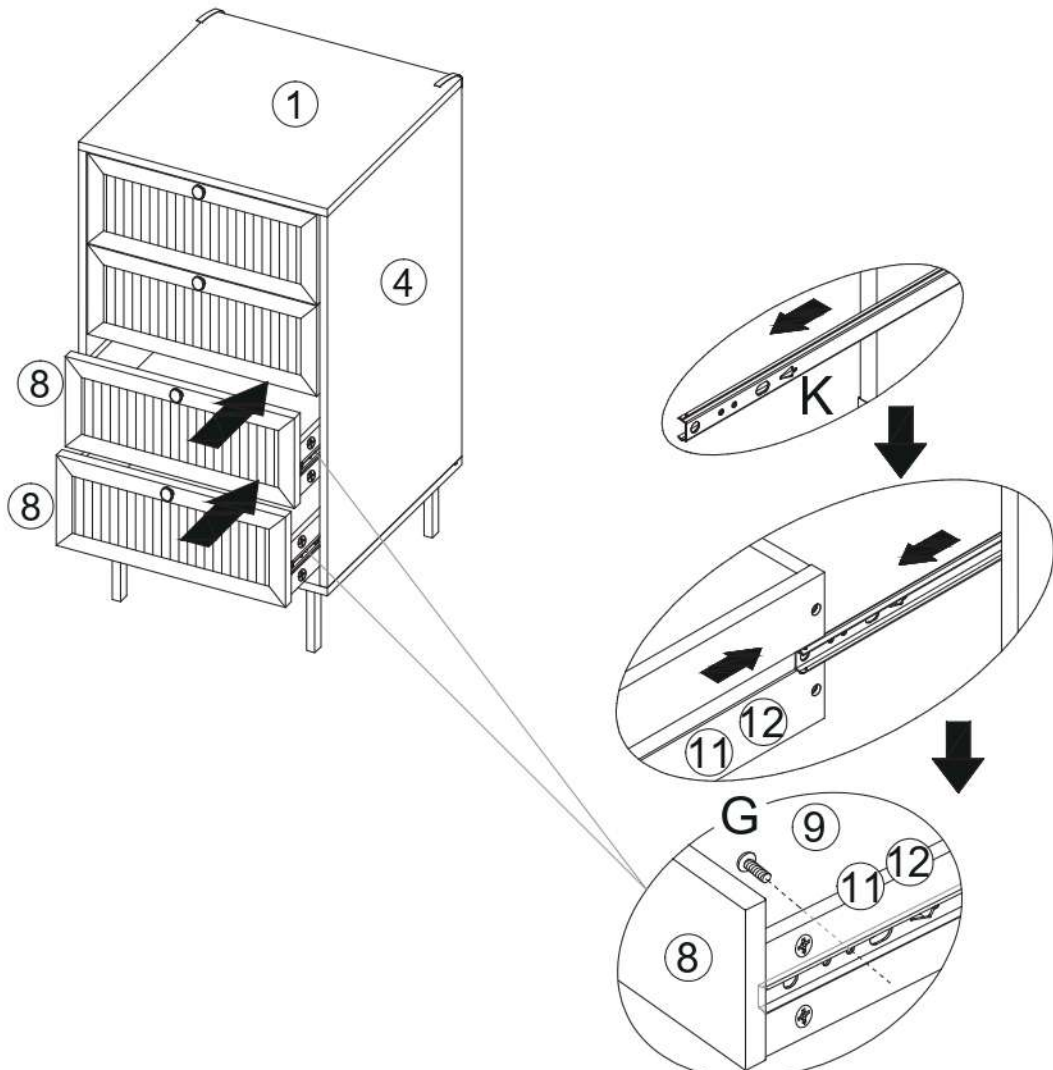
14



Secure the drawers
to the rails with
screws G from inside
of the drawers

G	x2
M4x11mm	

15



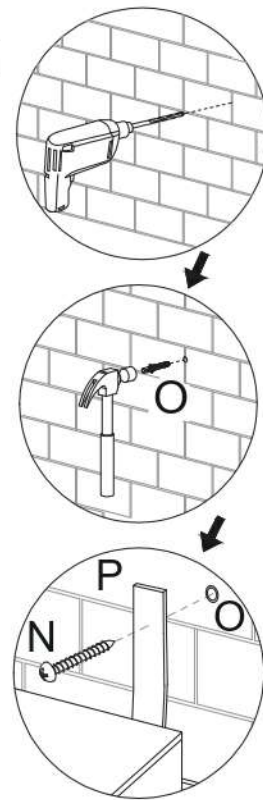
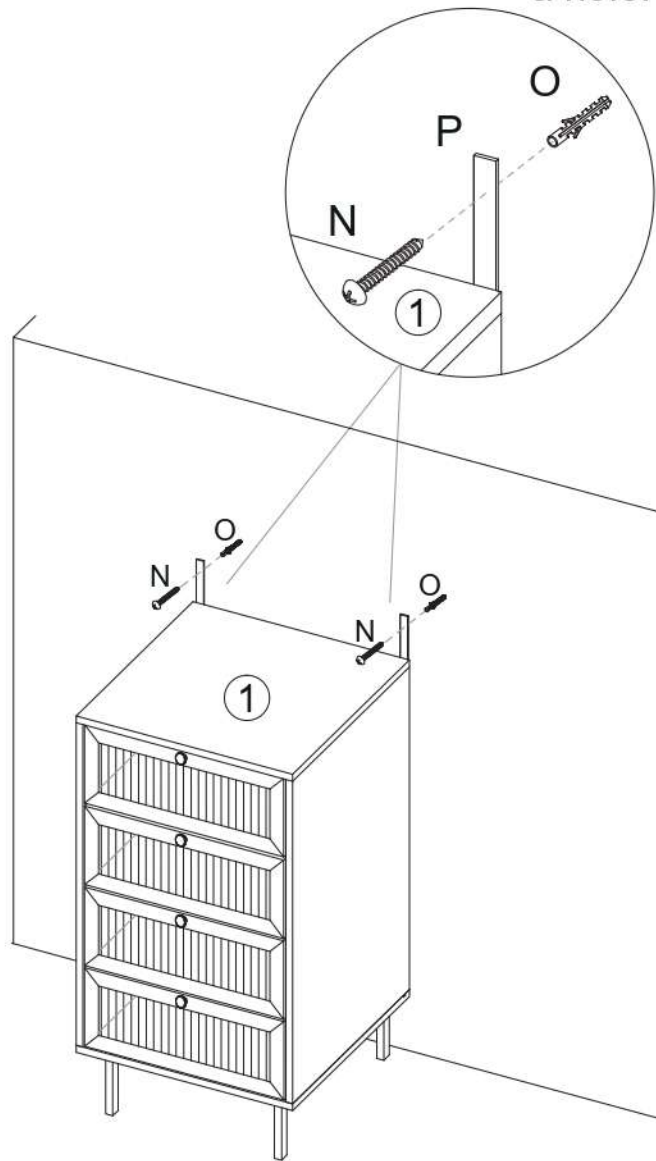
Secure the drawers to the rails with screws G from inside of the drawers



G	x4
	
M4x11mm	

16

Optional

Mark out the position on a wall and drill a hole.



N	x2	O	x2
			
M4x30mm			