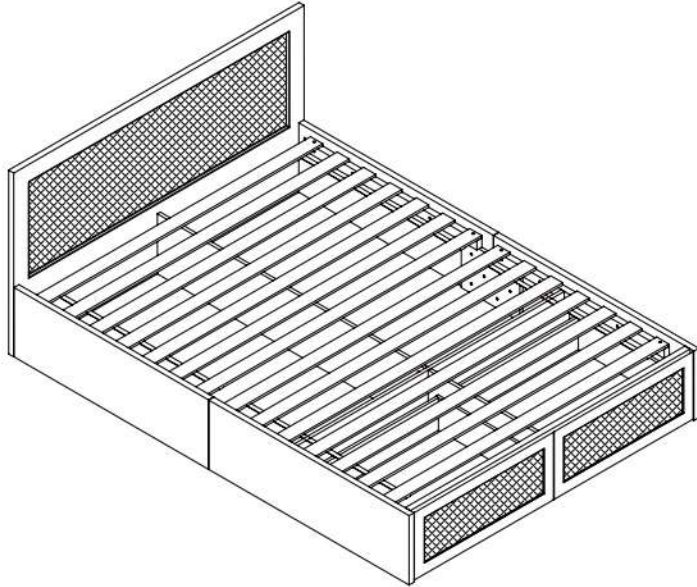


BED FRAME

MODEL:BF-MARX-D-WD/BF-MARX-Q-WD



ASSEMBLY INSTRUCTIONS

Please read instructions carefully before assembly.



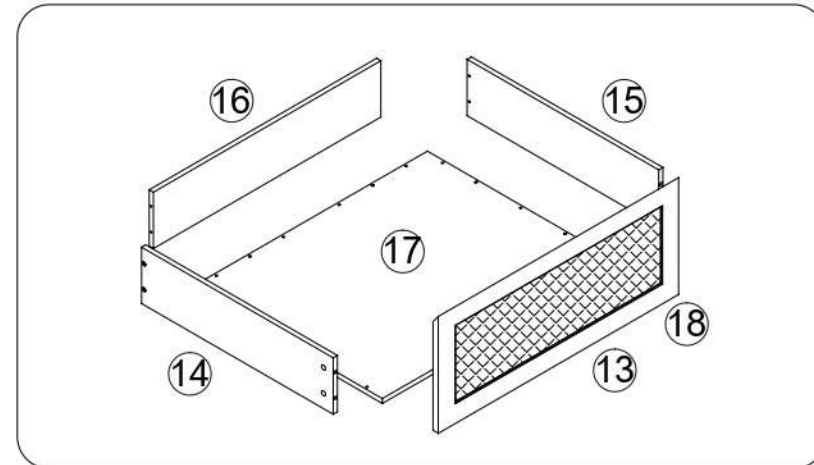
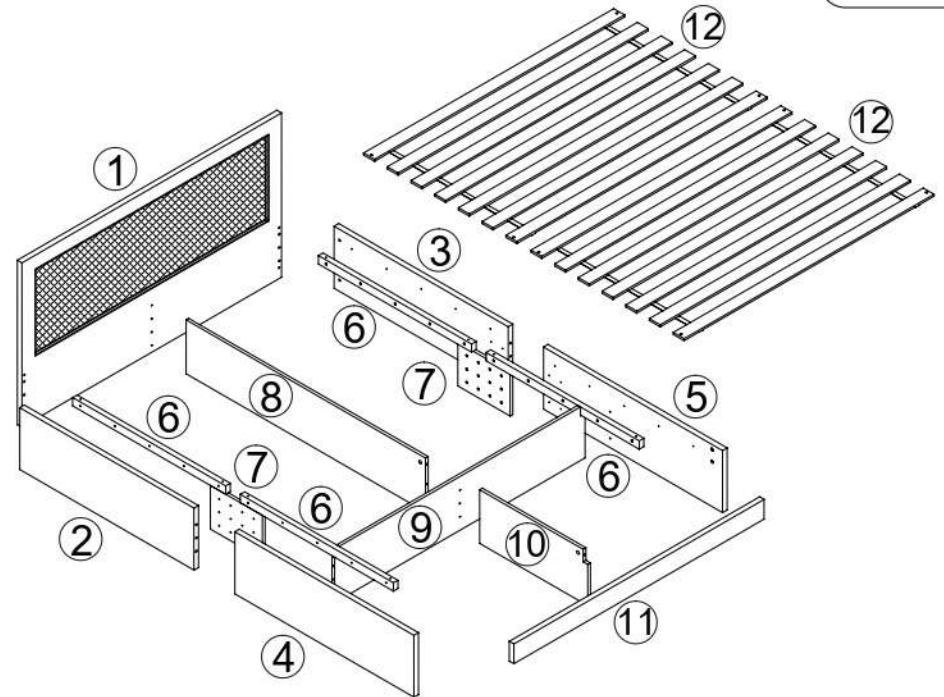
Two persons and tools required for assembly

HARDWARE

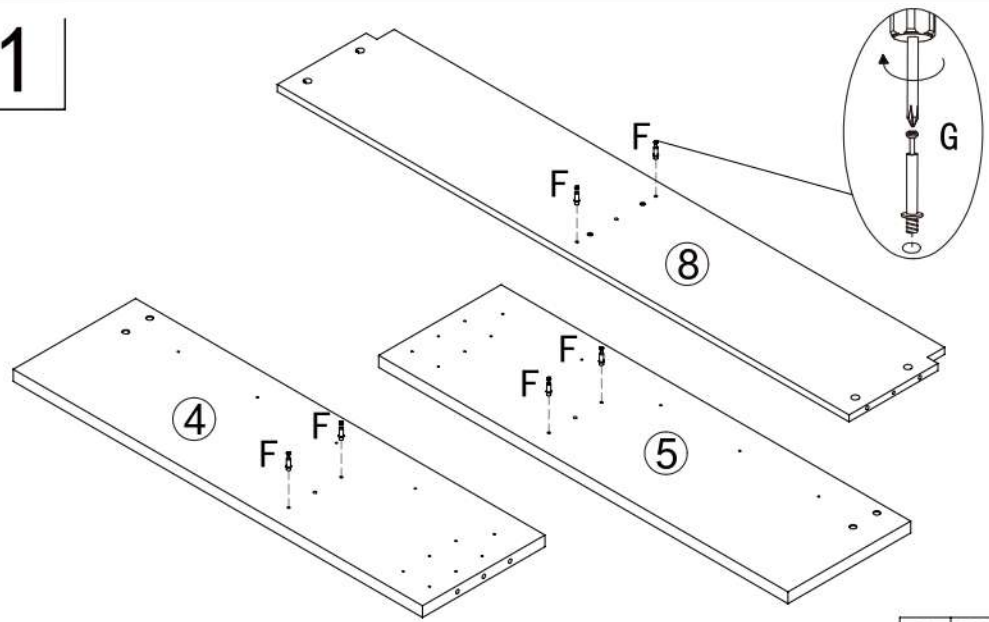
A	x4	B	x4	C	x1	D	x16	E	x50	F	x15	G	x7
M8x20mm	M6x60mm	M5	M4x12mm	M4x40mm							15x12mm		
H	x2	I	x14	J	x8	K	x10	L	x8	M	x1	N	x1
M5x60mm	Ø6x30mm	12x10mm	M4x20mm										
O	x16	P	x32	Q	x3	R	x12	S	x4	T	x1	U	x4
M3x12mm	M4x30mm	Ø6x50mm	Ø8x50mm		M4								
V	x10												

PARTS

Wipe with dry cloths

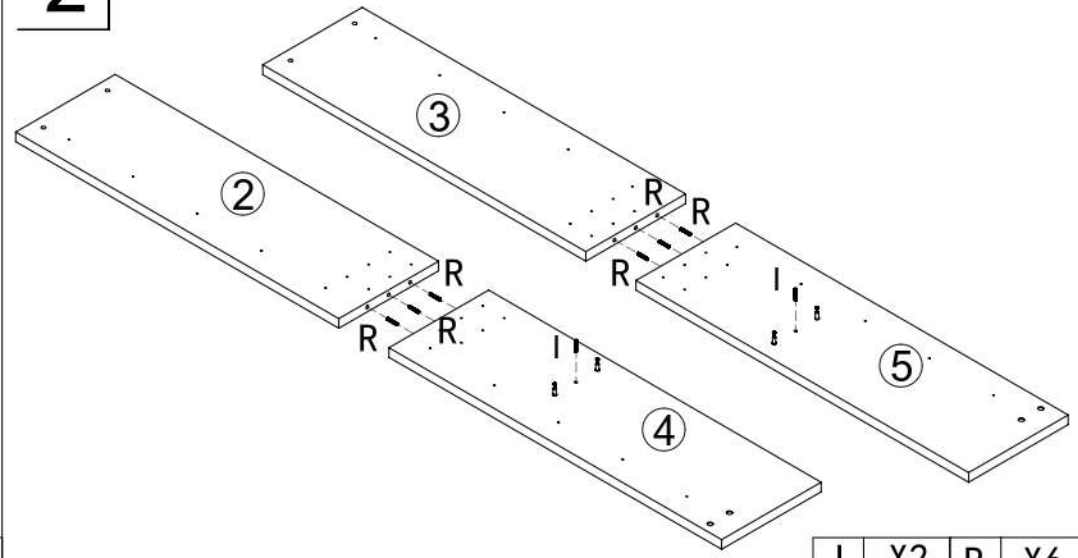


1



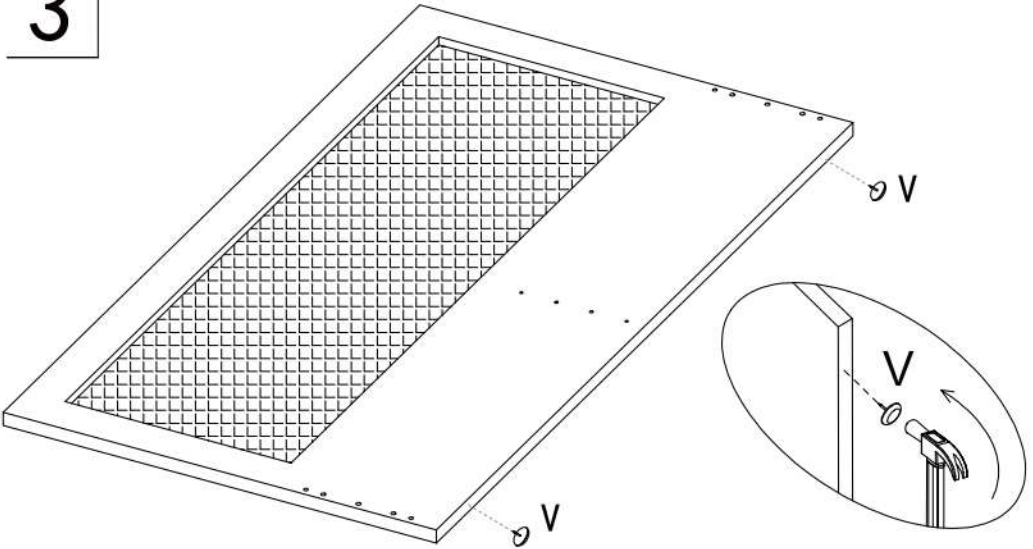
F	X6

2



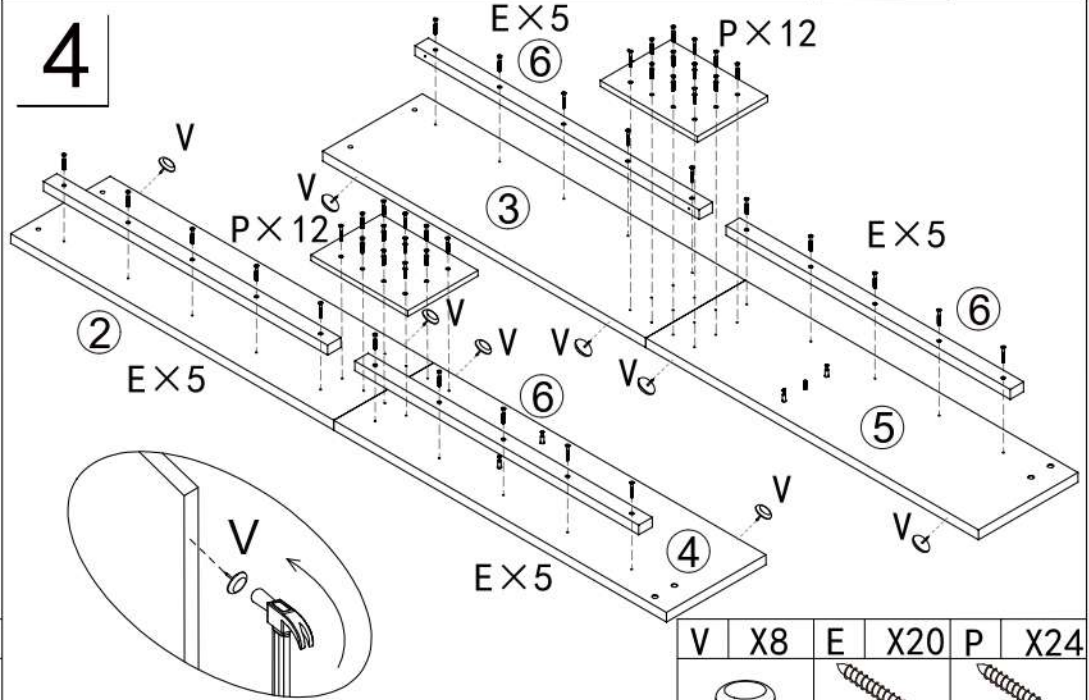
I	X2	R	X6
Ø6x30mm		Ø8x50mm	

3



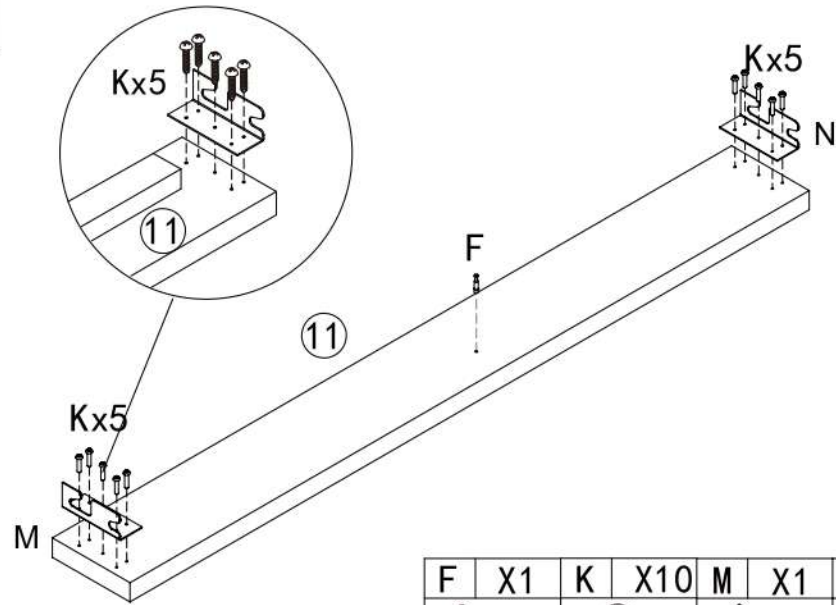
V	X2





4



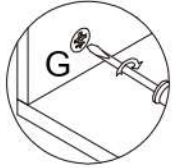
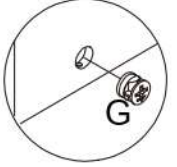
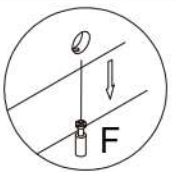
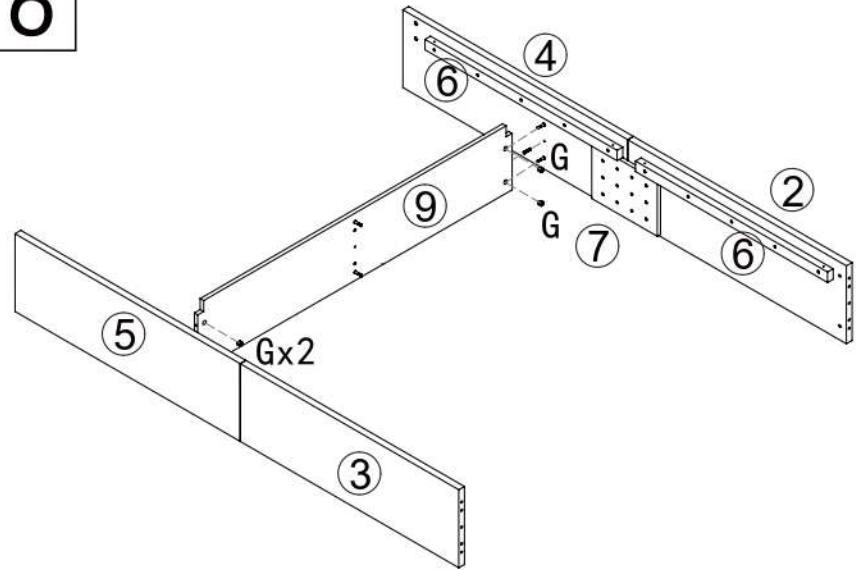
V	X8	E	X20	P	X24
		M4x40mm		M4x30mm	


5



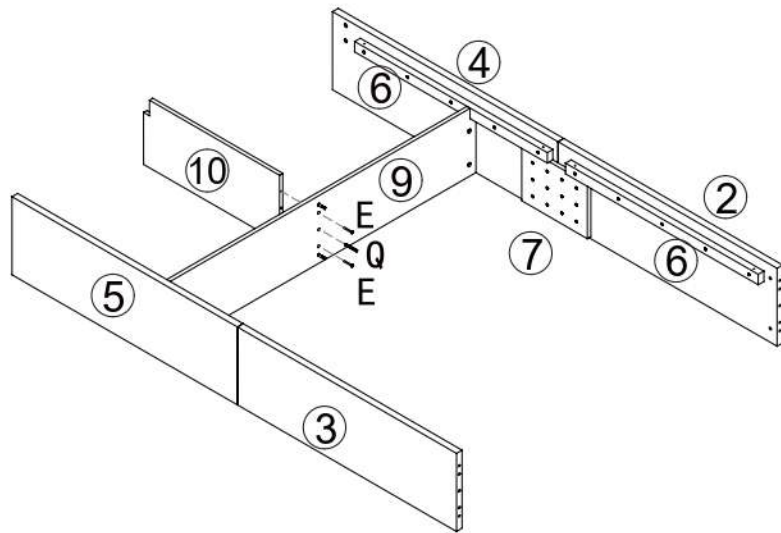
F	X1	K	X10	M	X1	N	X1
			M4x20mm				

6



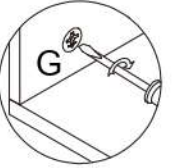
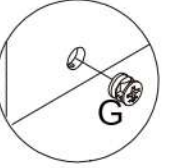
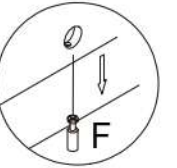
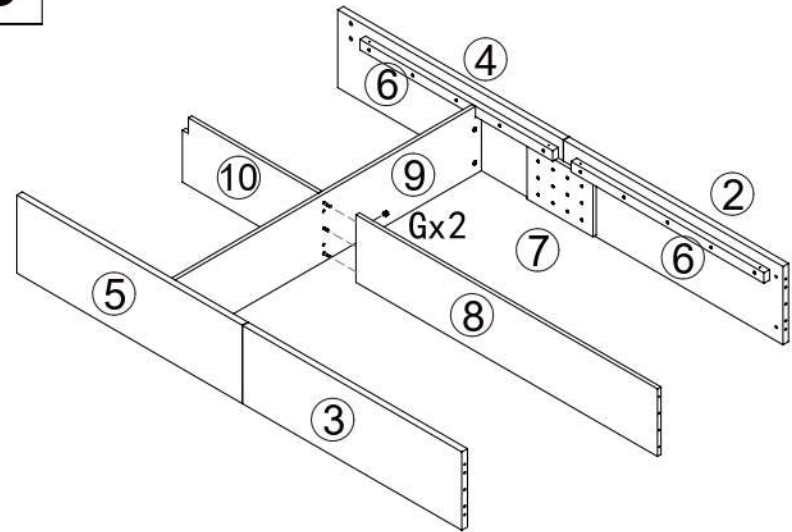
G	X4
	15x12mm


7



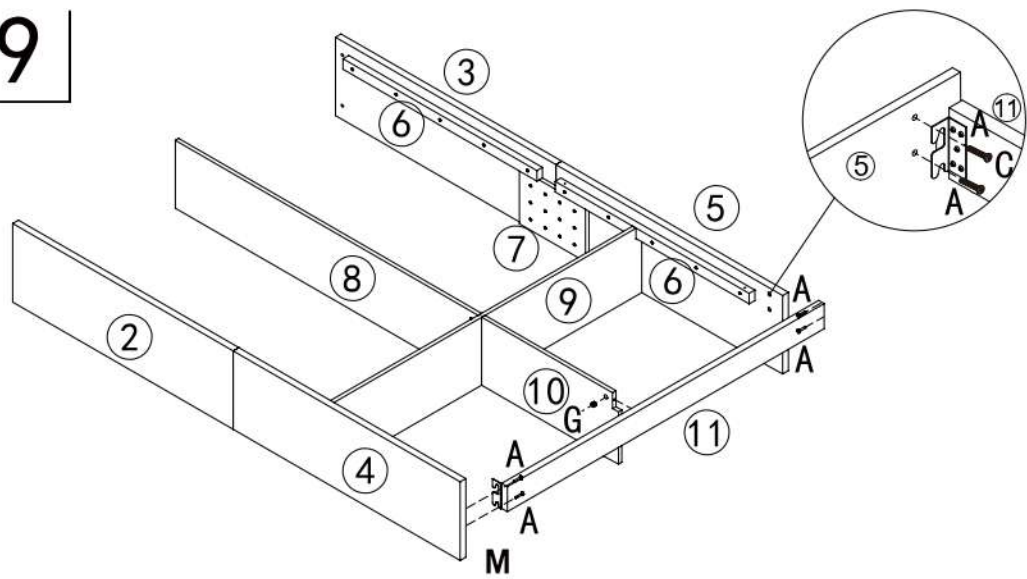
Q	X1	E	X2
	Ø6x50mm		M4x40mm

8



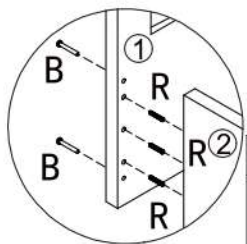
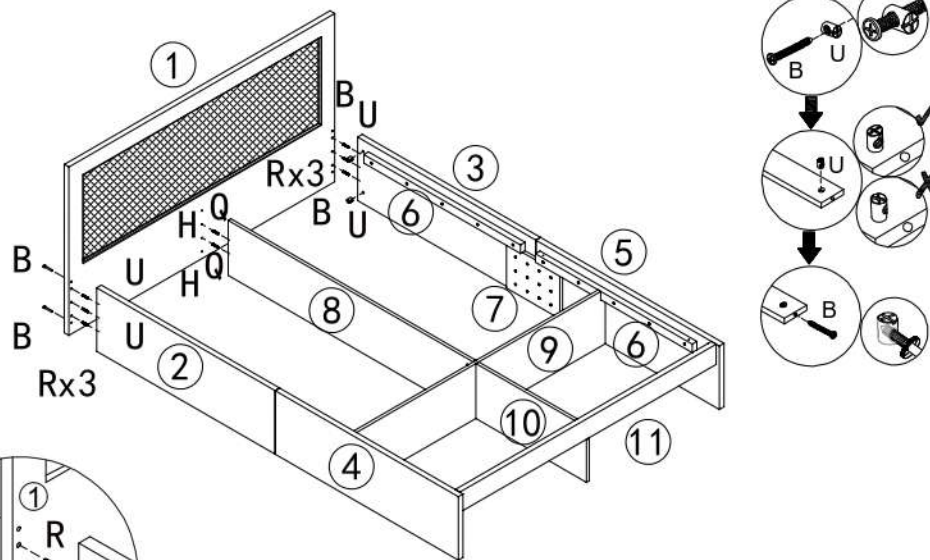
G	X2
	15x12mm

9



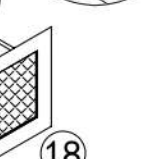
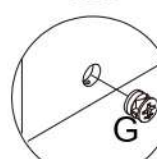
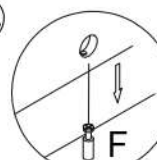
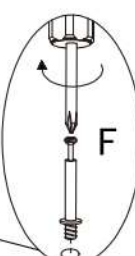
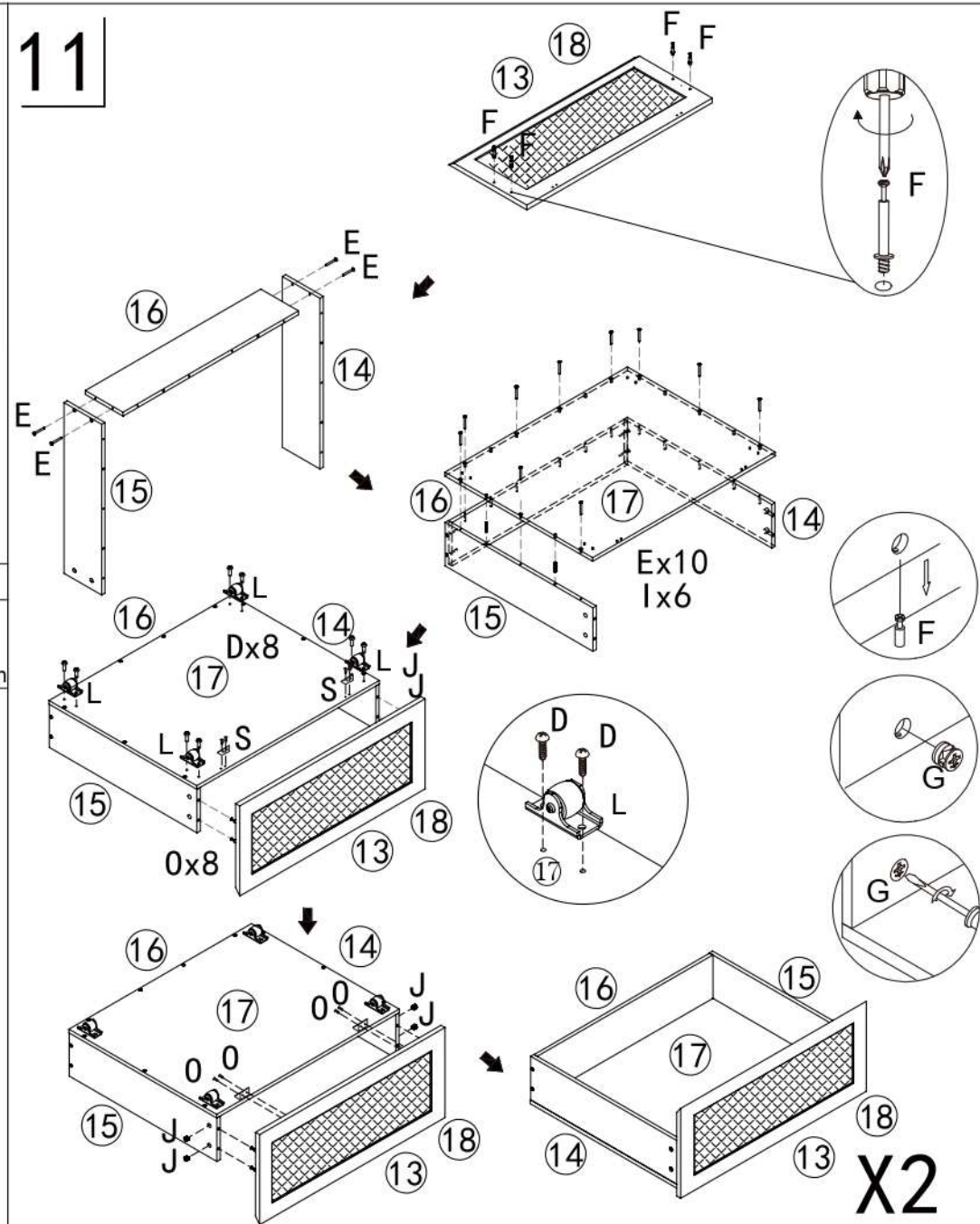
G	X1	C	X4	A	X4
15x12mm		M5		M8x20mm	

10



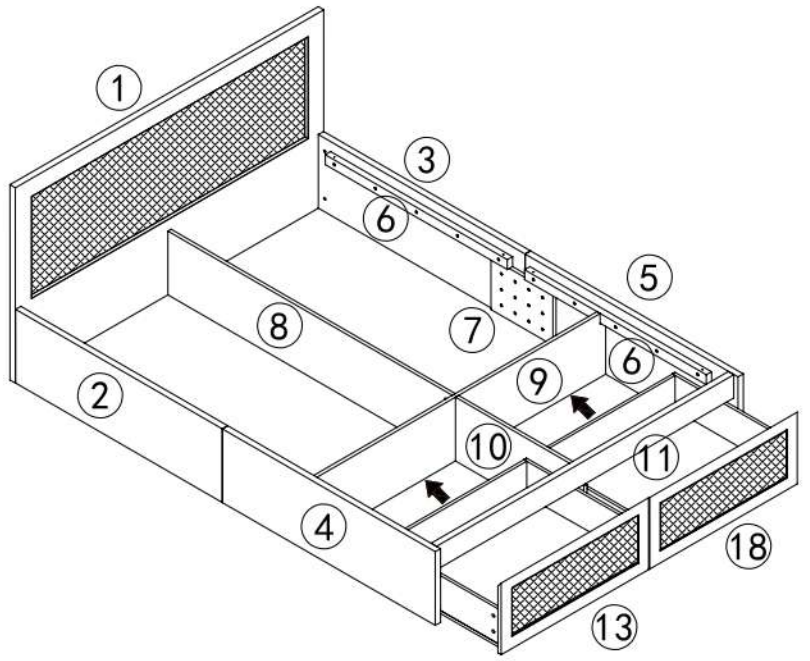
U	X4	T	X1	B	X4	R	X6	Q	X2	H	X2	D	X16	O	X16	S	X4	L	X8	J	X8	I	X12	E	X28	F	X8
		M4		M6x60mm		Ø8x50mm		Ø6x50mm		M5x60mm		M4x12mm	M3x12mm														

11

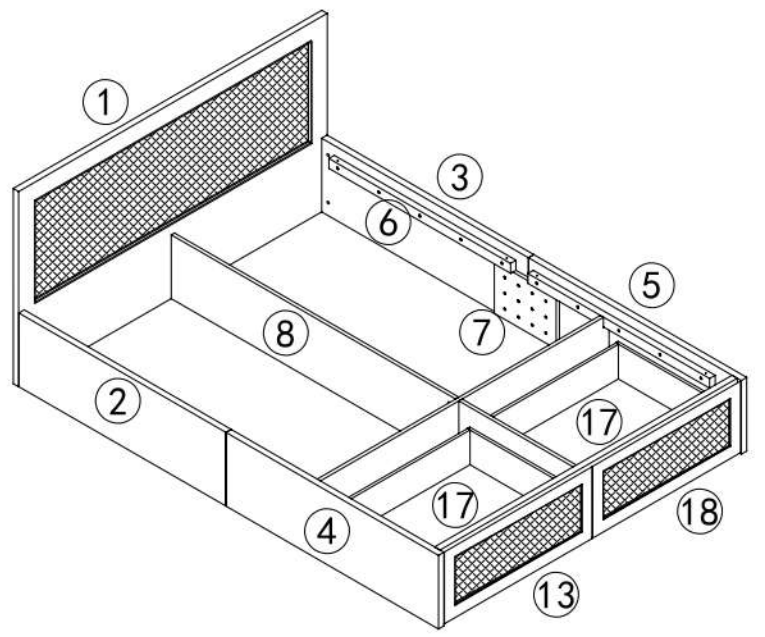


X2

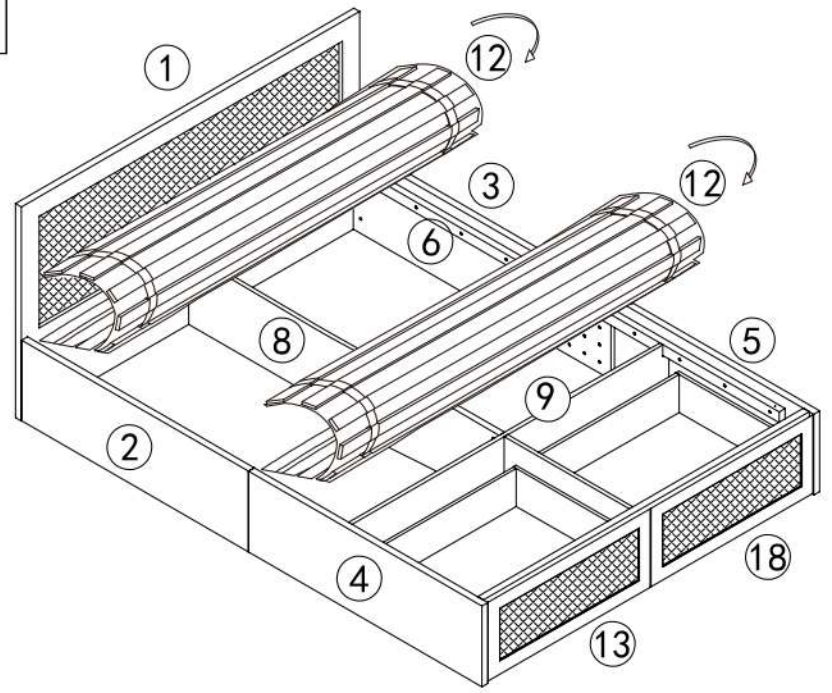
12



13



14



15

