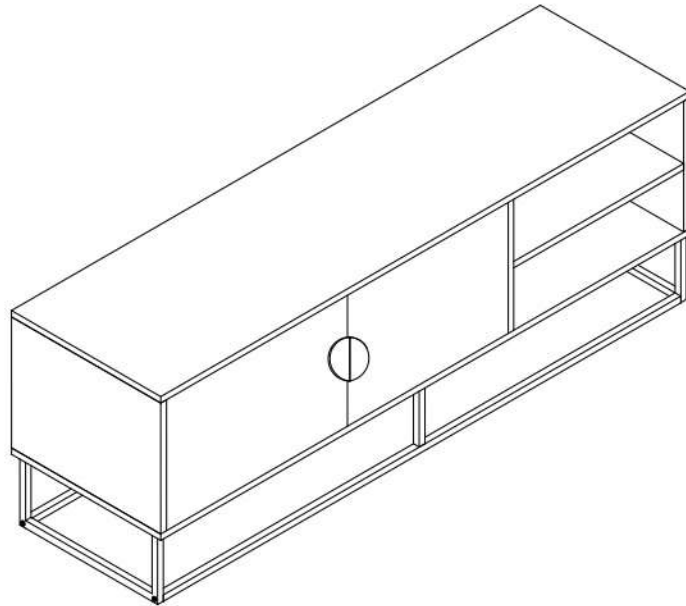


ENTERTAINMENT UNIT

MODEL:EU-MOCO-140-WH





















ASSEMBLY INSTRUCTIONS

Please read instructions carefully before assembly.



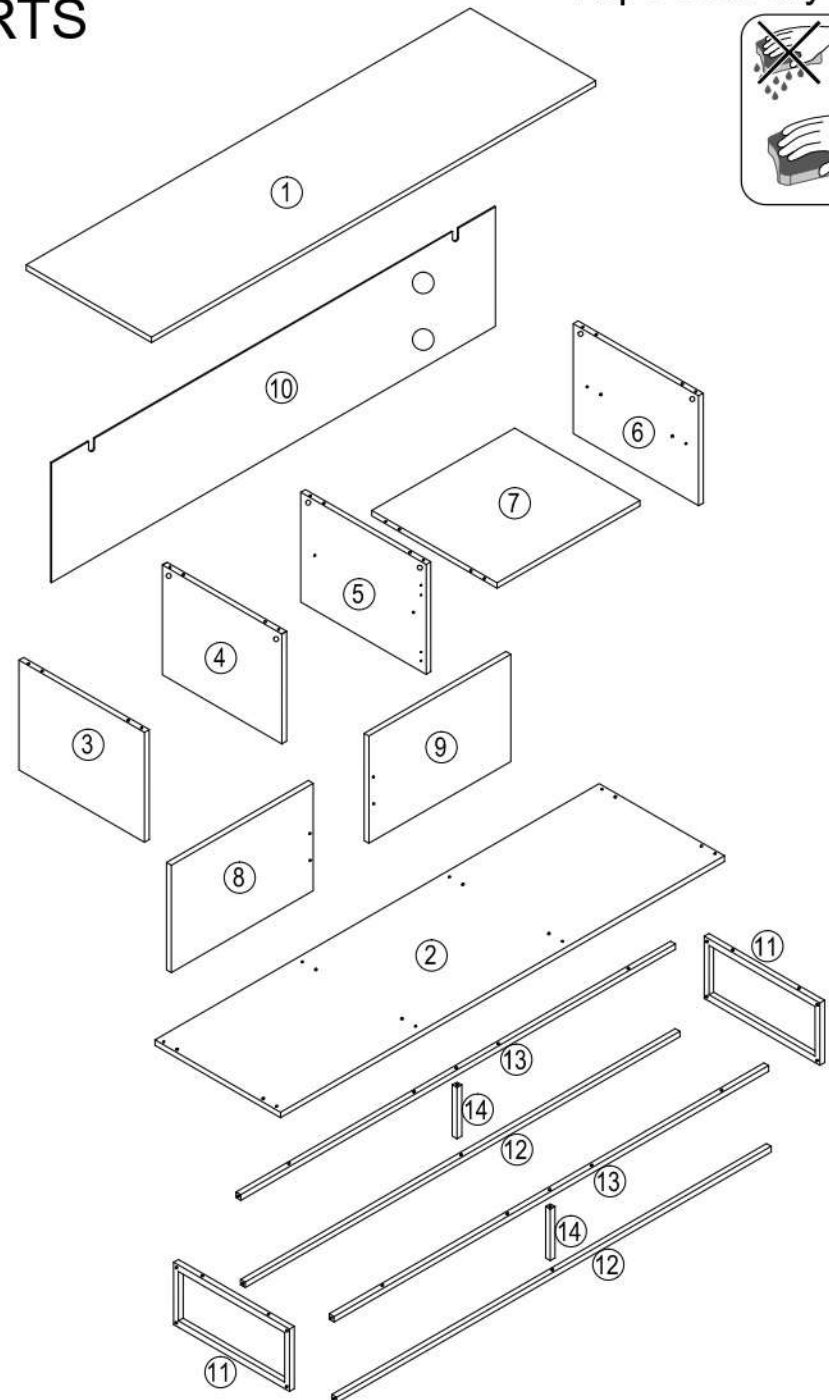
Two persons and tools required for assembly

HARDWARE

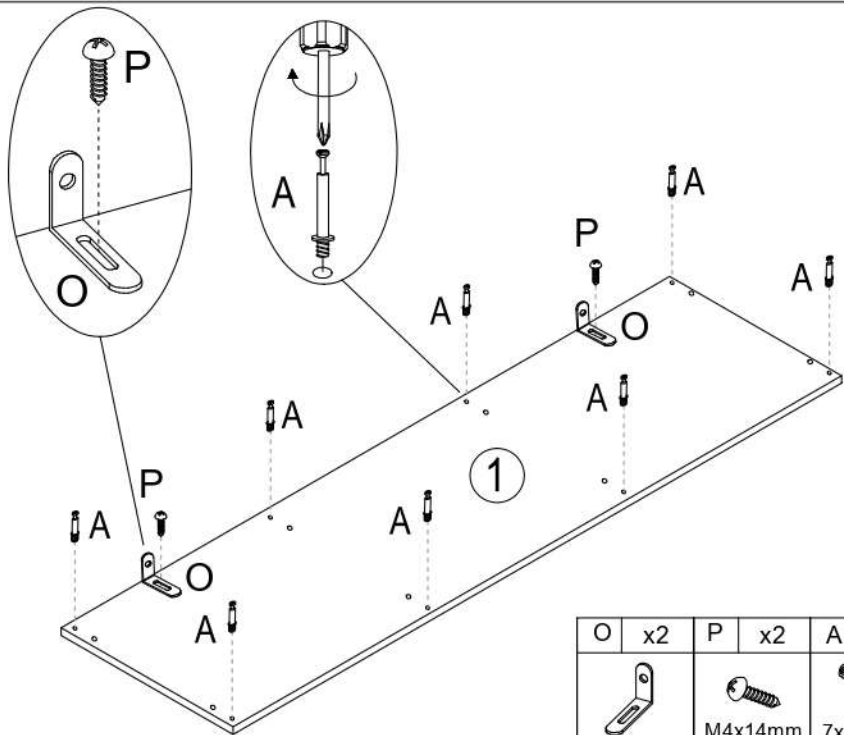
A	x8	B	x8	C	x20	D	x12	E	x18	F	x4	G	x1
													
7x35mm	15x12mm	Ø6x30mm	M4x40mm										
H	x16	I	x2	J	x8	K	x12	L	x12	M	x4	N	x4
													
M3.5x14mm		M6x35mm	M6x25mm		M4x20mm	M6x25mm							
O	x2	P	x2	Q	x2	R	x2						
													
	M4x12mm	M4x30mm											

PARTS

Wipe with dry cloths

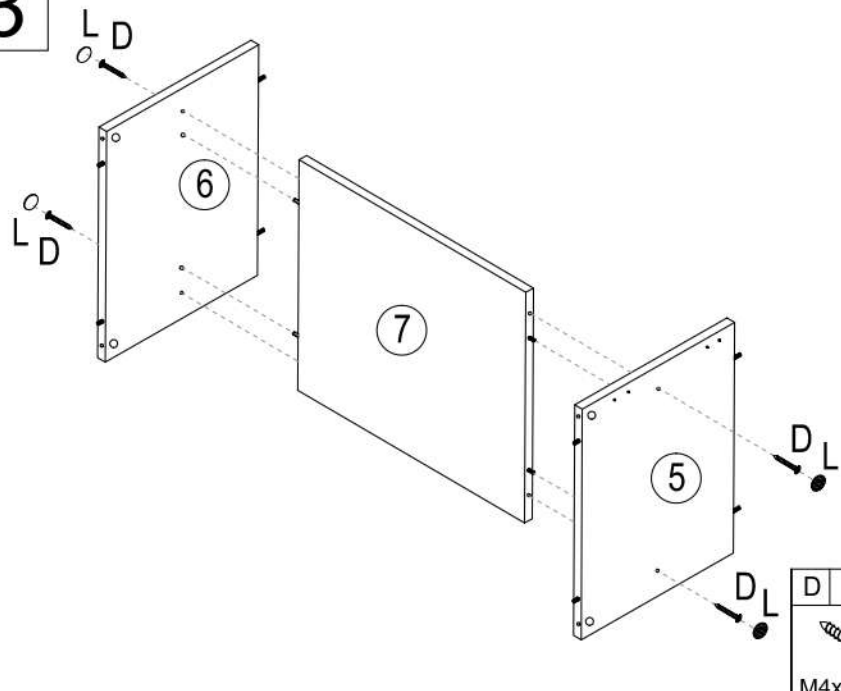


1



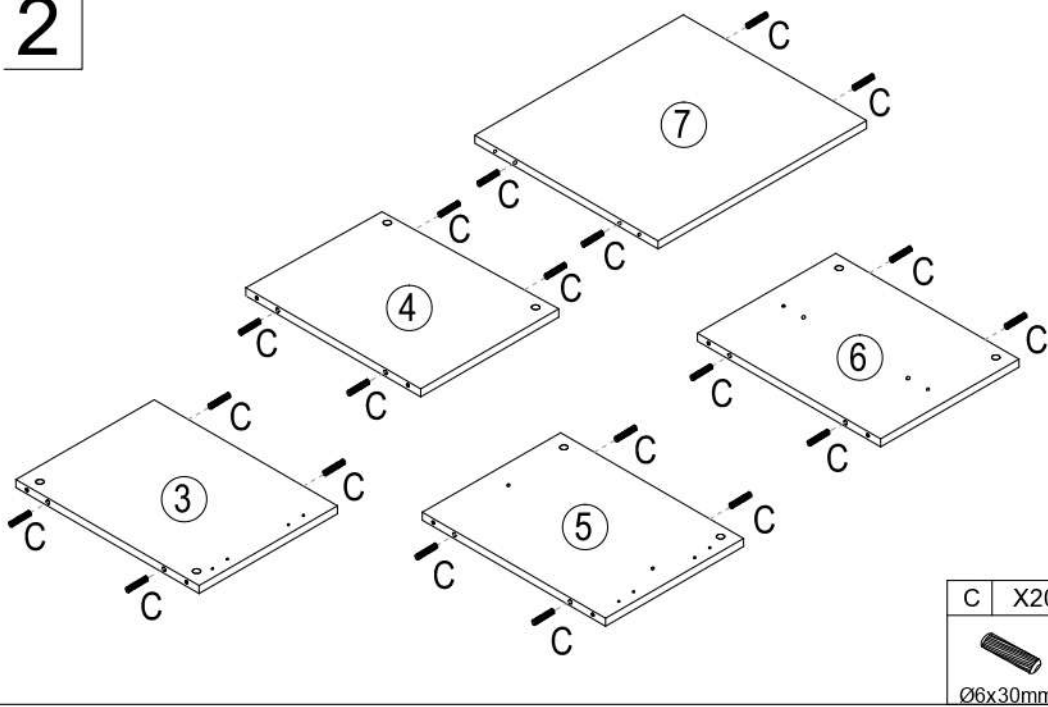
O	x2	P	x2	A	x8
		M4x14mm		7x35mm	

3



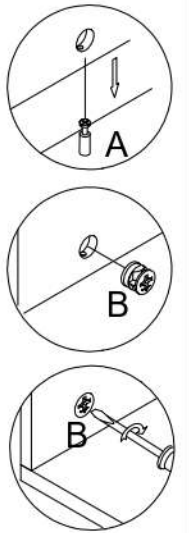
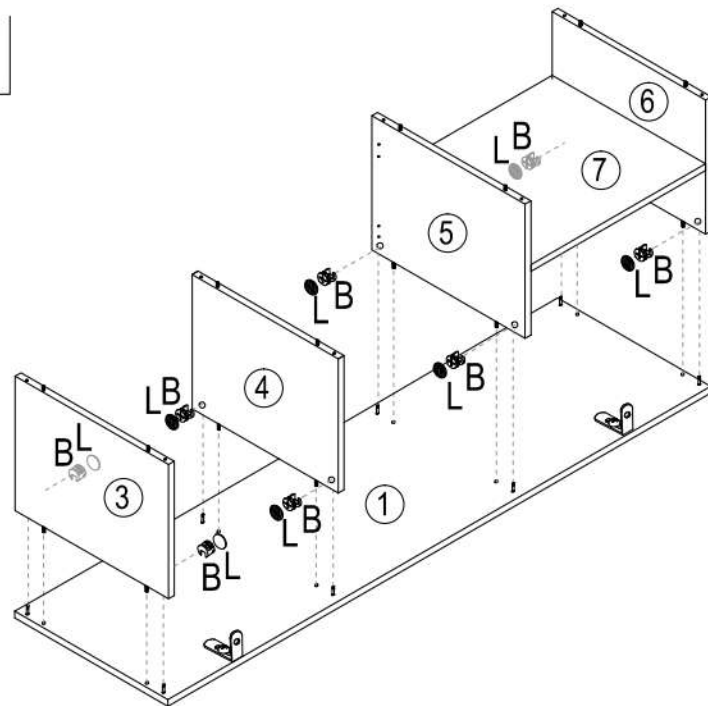
D	x4	L	x4
M4x40mm			

2



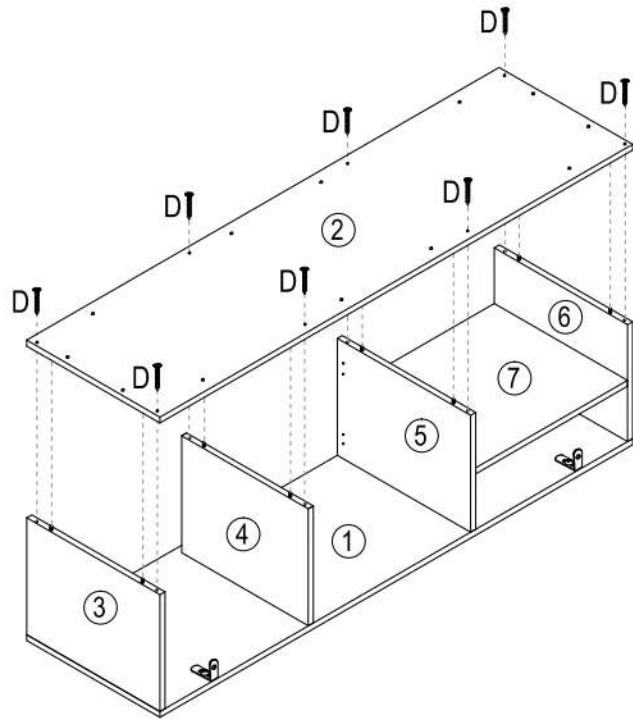
C	X20
Ø6x30mm	


4



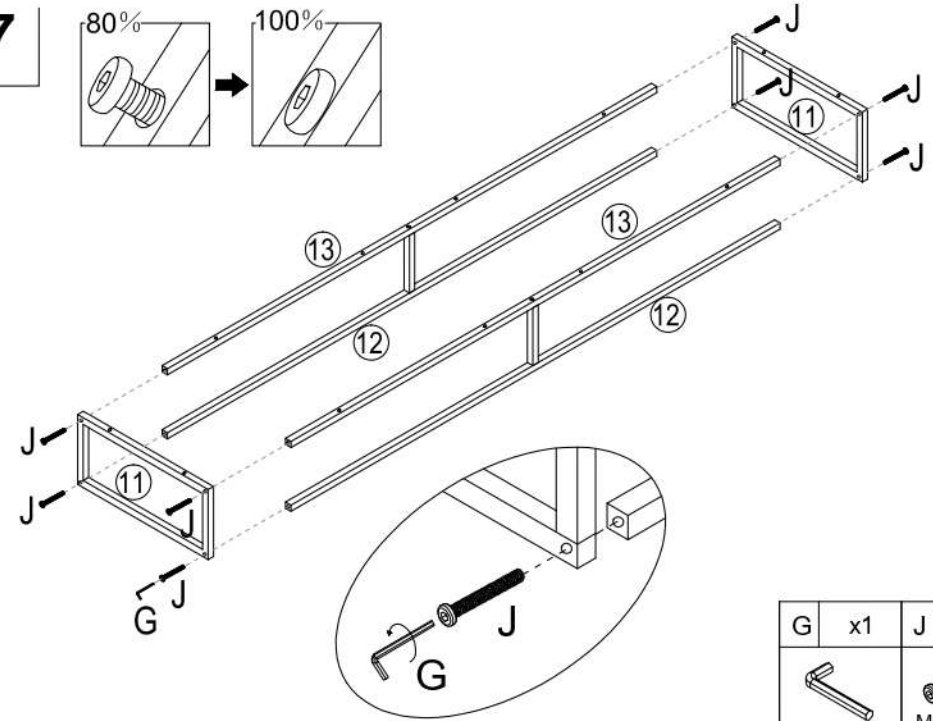
B	x8	L	x8
15x12mm			



5



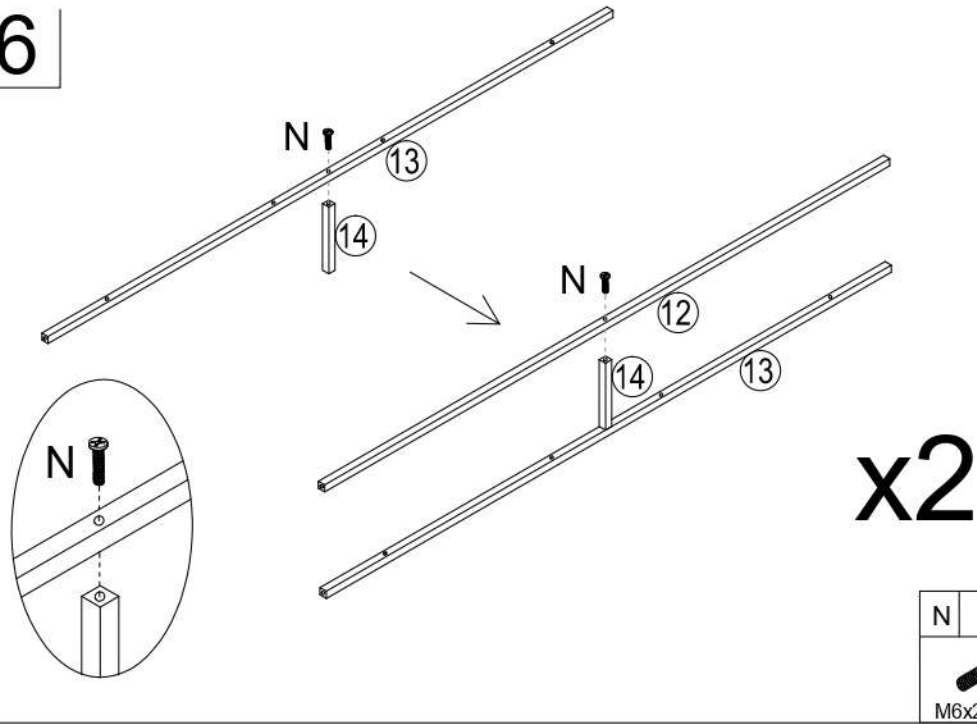
D	x8
	
M4x40mm	

7



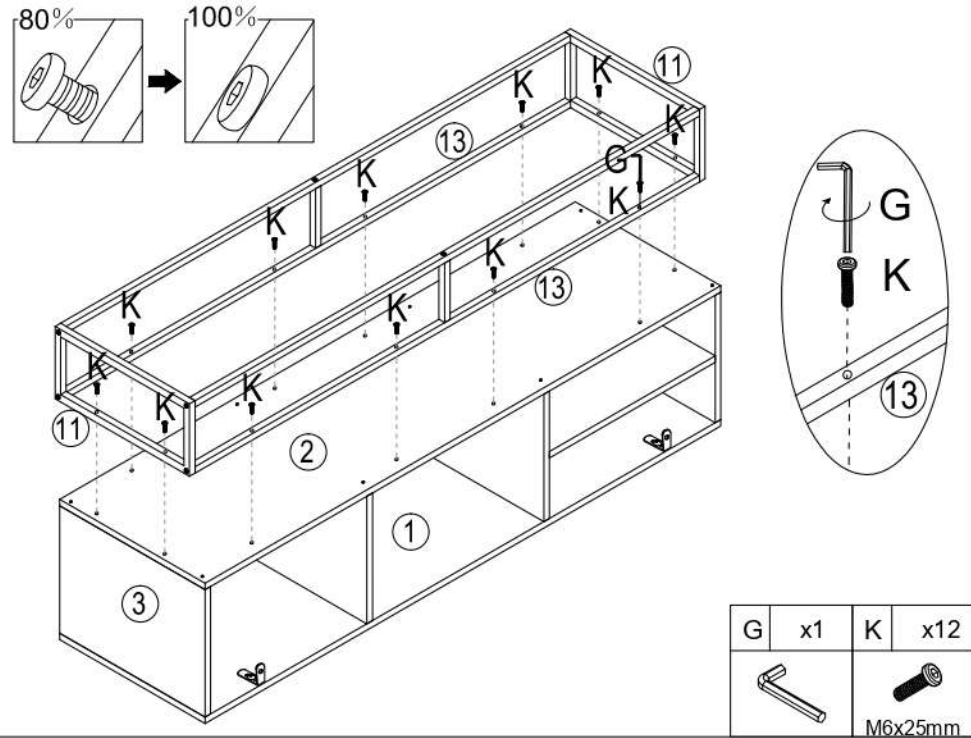
G	x1	J	x8
			
		M6x35mm	



6



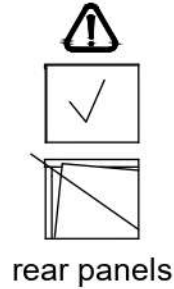
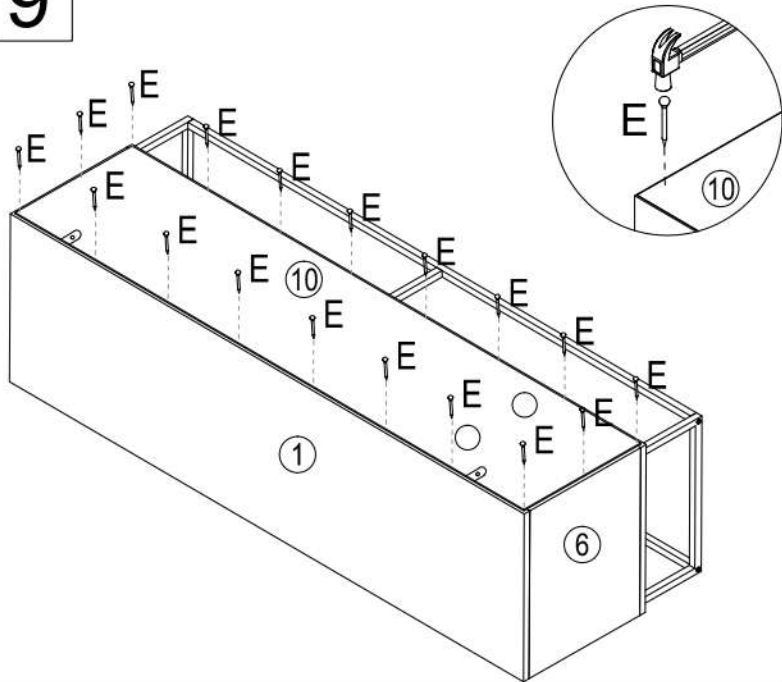
N	x4
	
M6x25mm	

8



G	x1	K	x12
			
		M6x25mm	

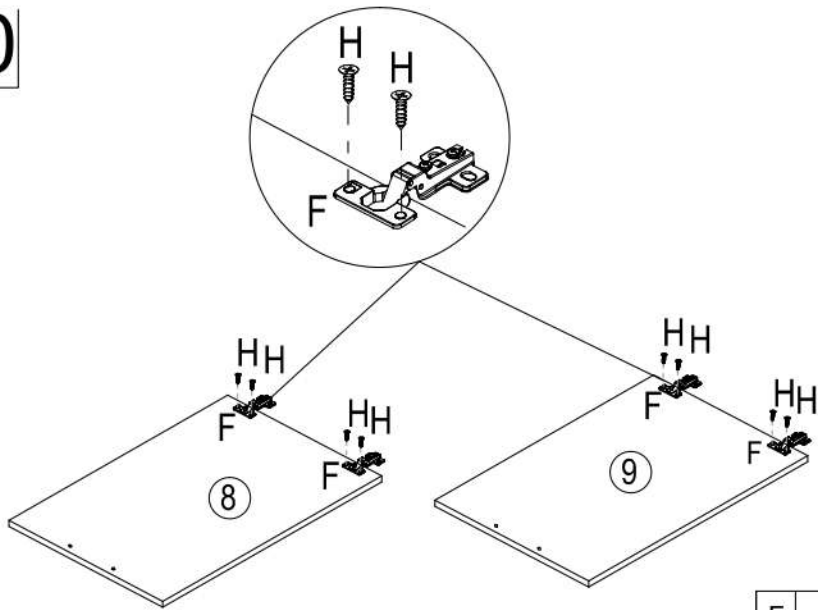
9



E x18



10

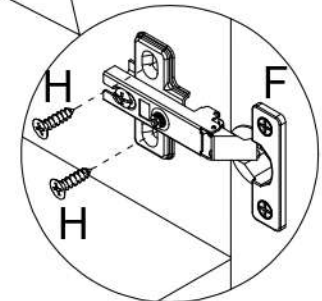
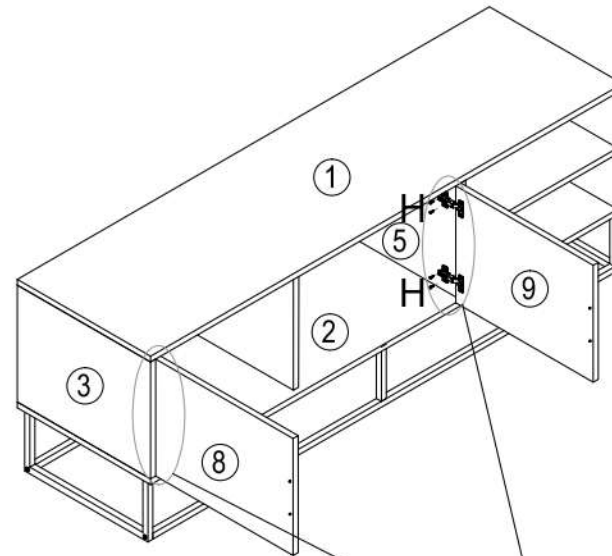
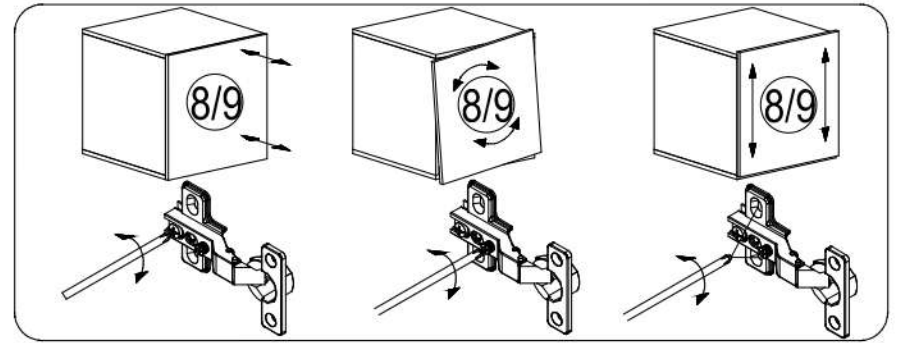


F x4 H x8



M3.5x14mm

11

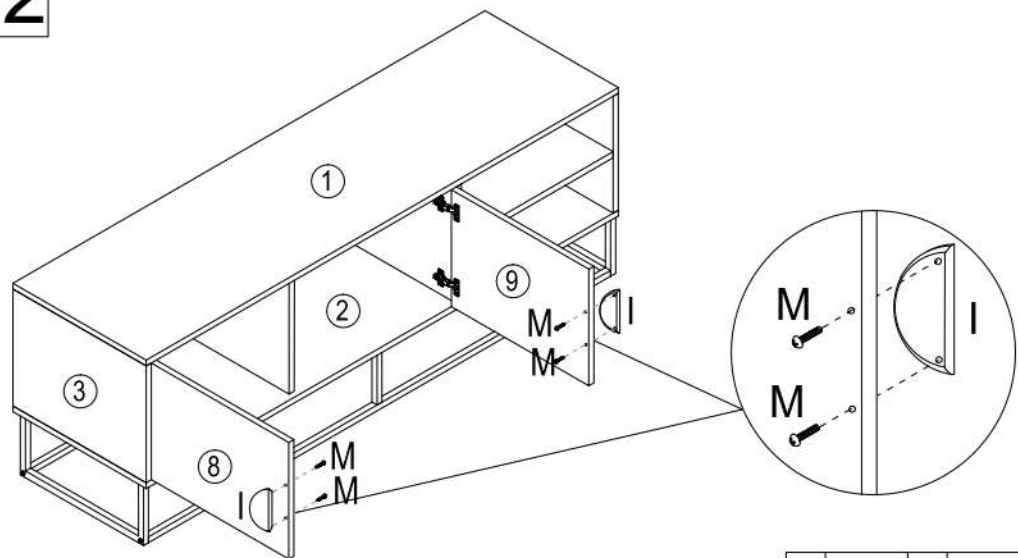




H x8

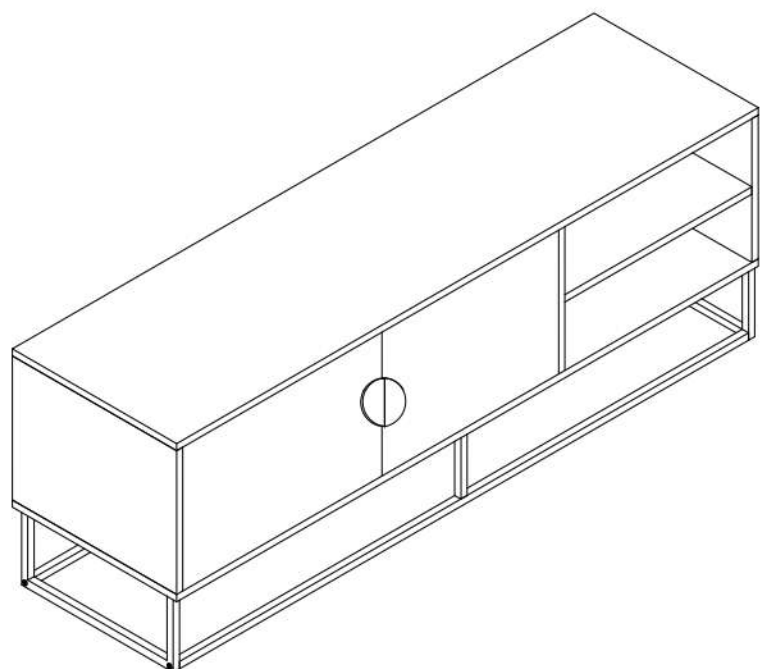


M3.5x14mm

12

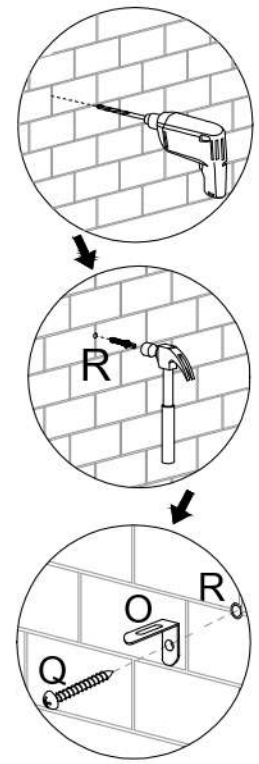
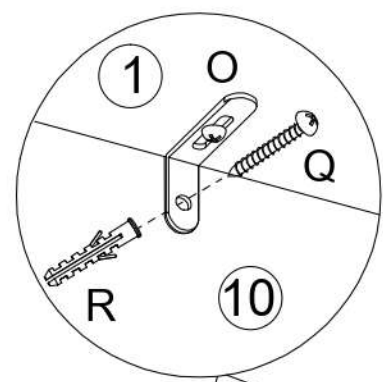




M	x4	I	x2
			
M4x20mm			



13

Pre-drilled hole at wall



Q	x2	R	x2
			
M4x30mm			