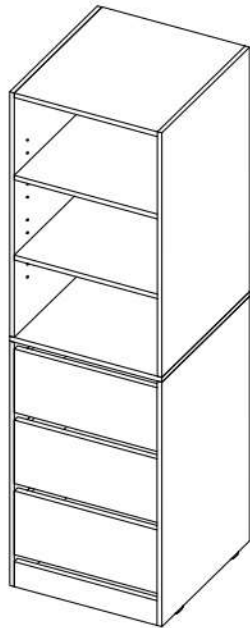


WARDROBE

MODEL:WA-MEXI-WH/WD



ASSEMBLY INSTRUCTIONS

Please read instructions carefully before assembly.



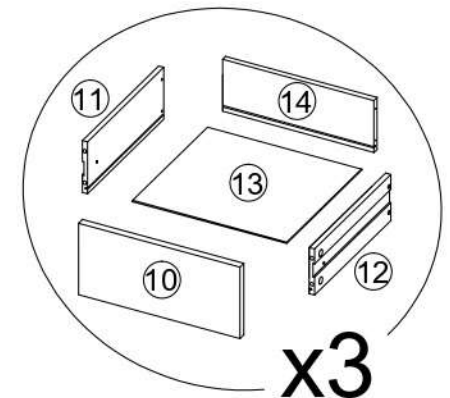
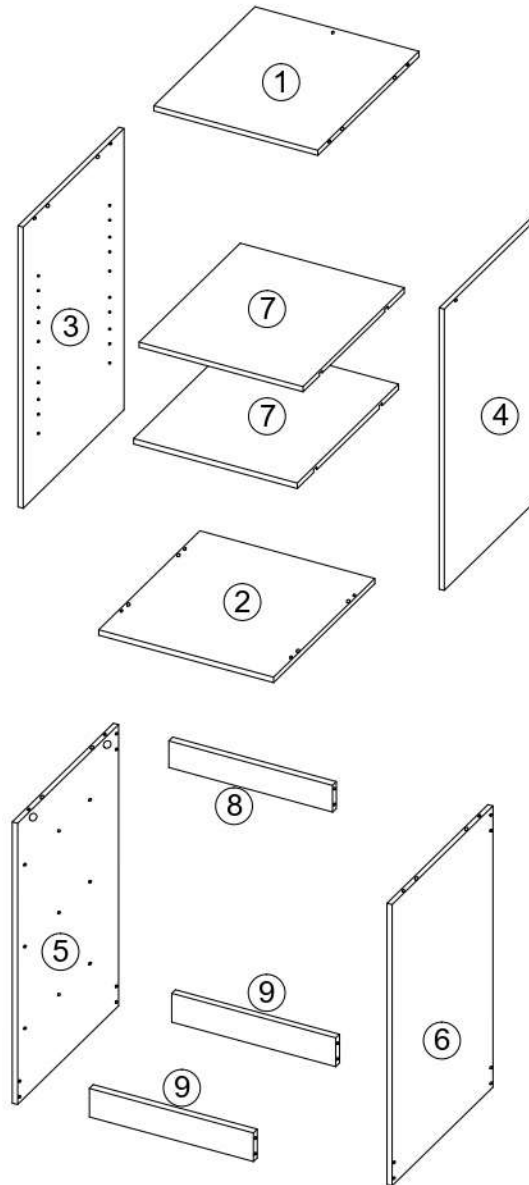
Two persons and tools required for assembly

HARDWARE

A	x16	B	x4	C	x4	D	x32	E	x16	F	x1
7x35mm	15x12mm	Ø6x30mm	M4x40mm		M4x30mm						
G	x1	H	x1	I	x1	J	x6	K	x6	L	x18
M4x14mm			M4x10mm		M3x12mm						
M	x12	N	x26	O	x2	P	x12	Q	x4	R	x4
M3x14mm			12x10mm		Ø6x50mm						
S	x8										
7x8mm											

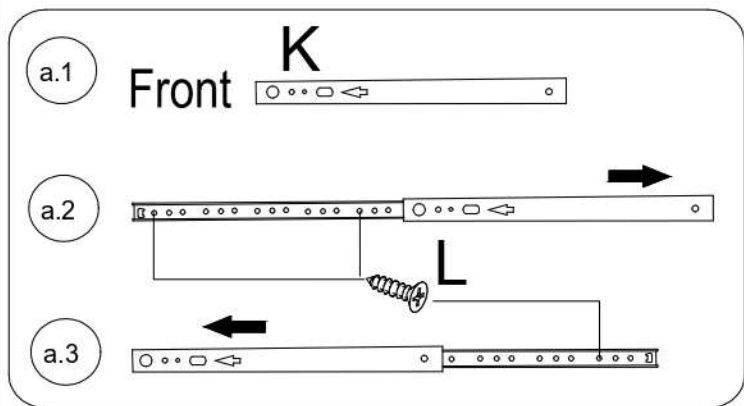
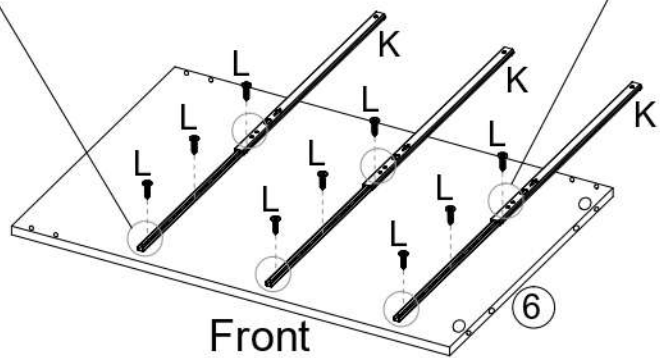
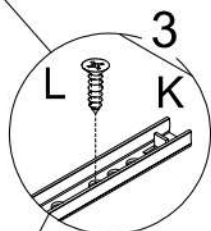
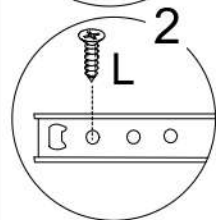
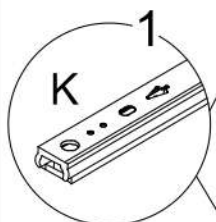
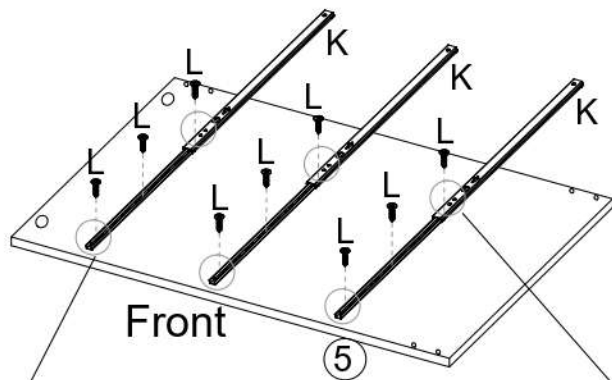
PARTS

Wipe with dry cloths



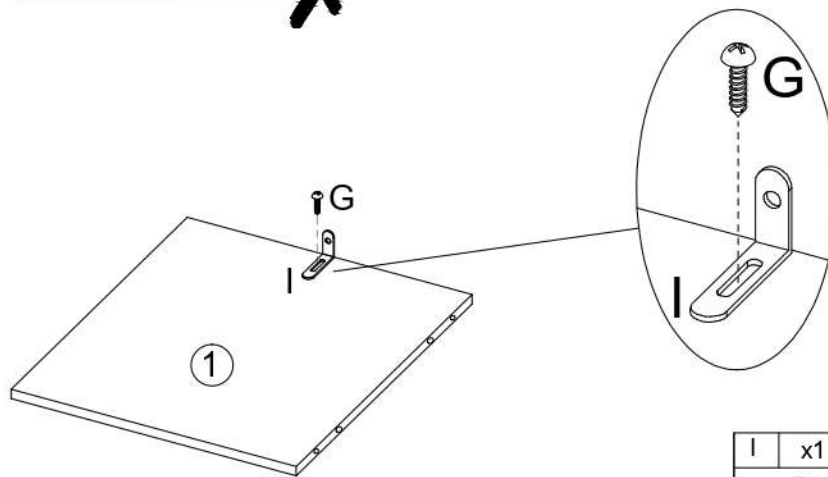
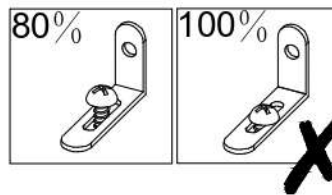
x3

1



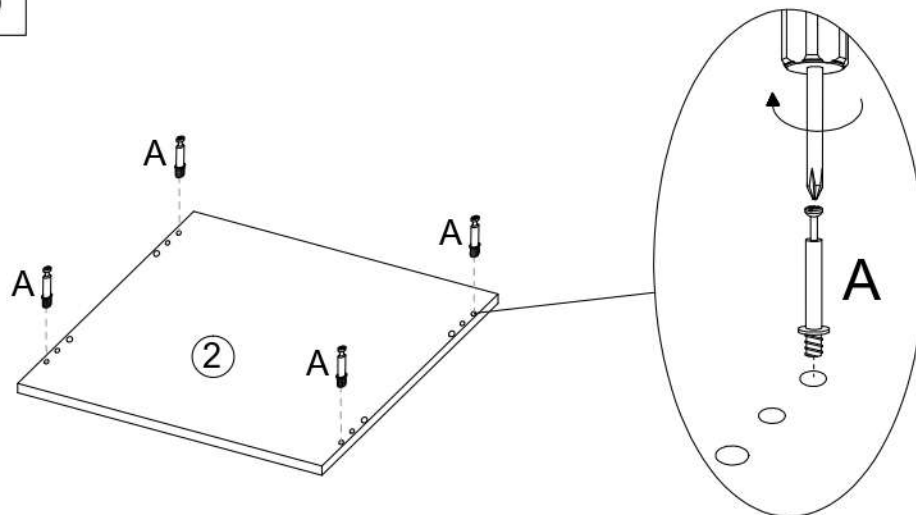
L	x18	K	x6
M3x12mm			

2



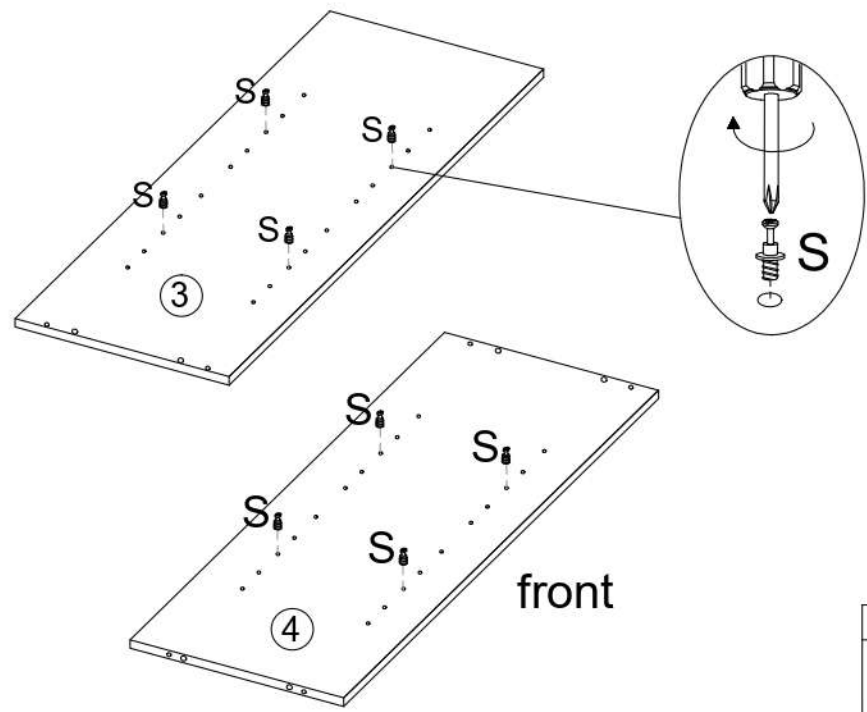
I	x1	G	x1
		M4x12mm	

3



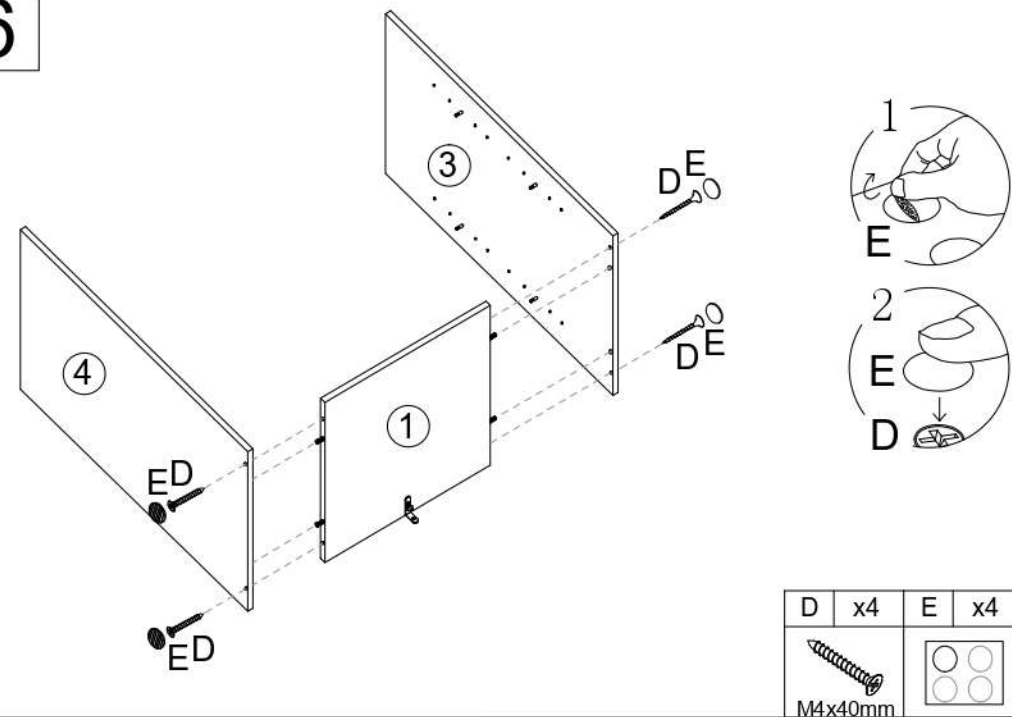
A	x4
7x35mm	



4



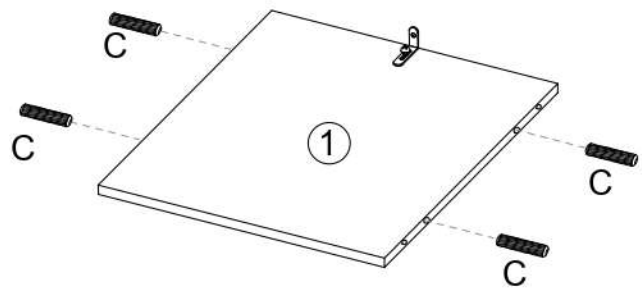
S	x8
	
7x8mm	

6



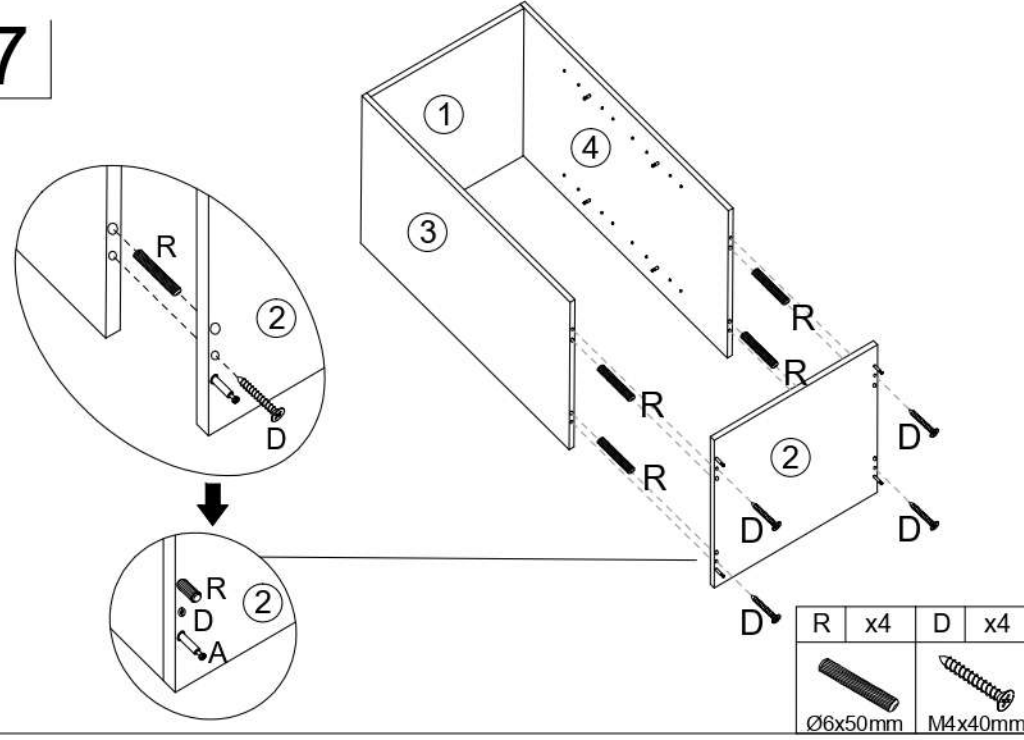
D	x4	E	x4
			
M4x40mm			



5



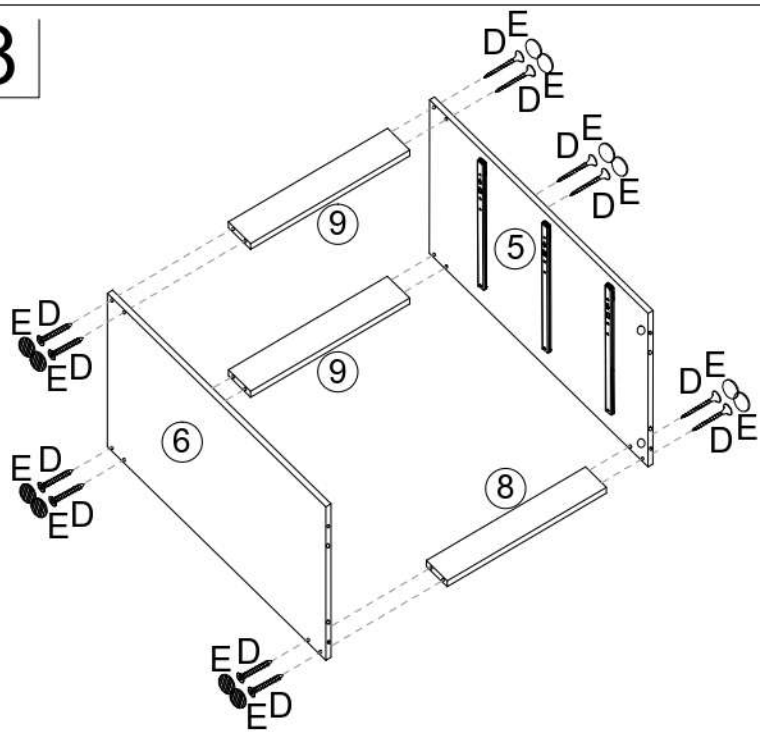
C	x4
	
Ø6x30mm	

7



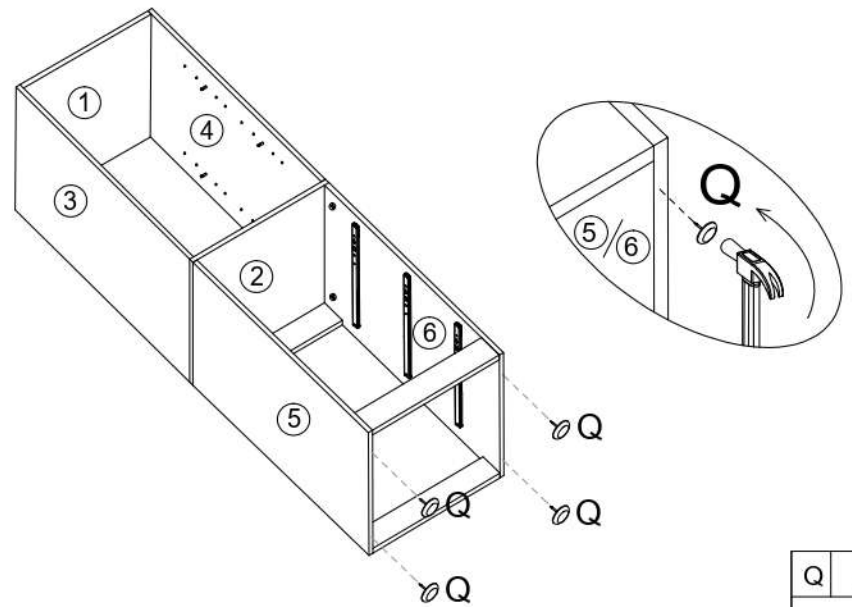
R	x4	D	x4
			
Ø6x50mm		M4x40mm	

8



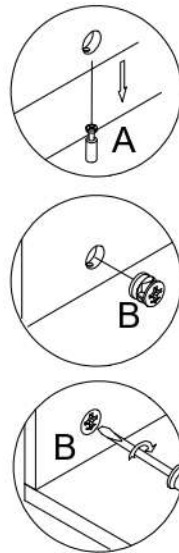
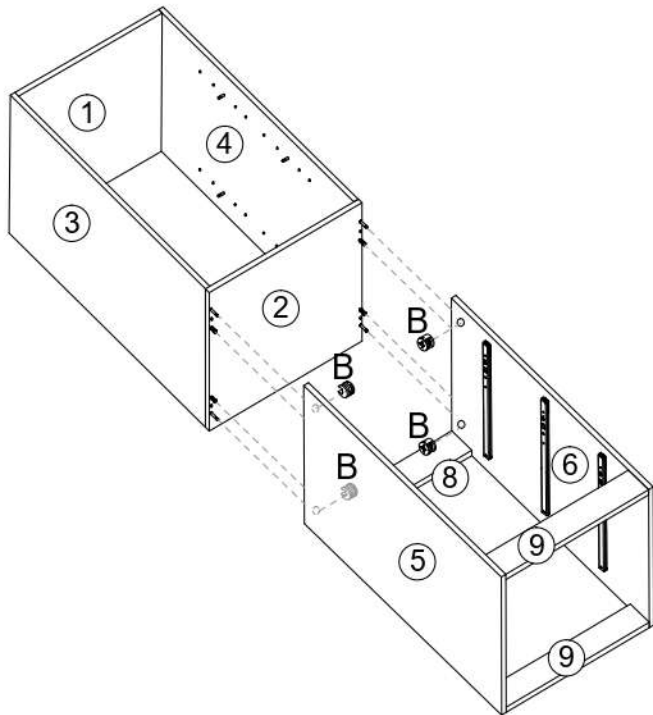
D	x12	E	x12
M4x40mm			

10



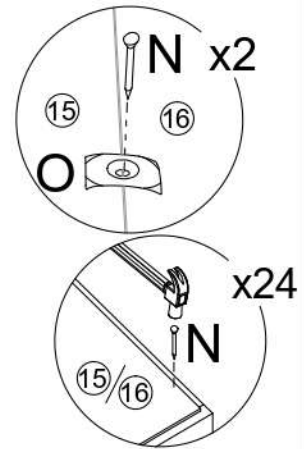
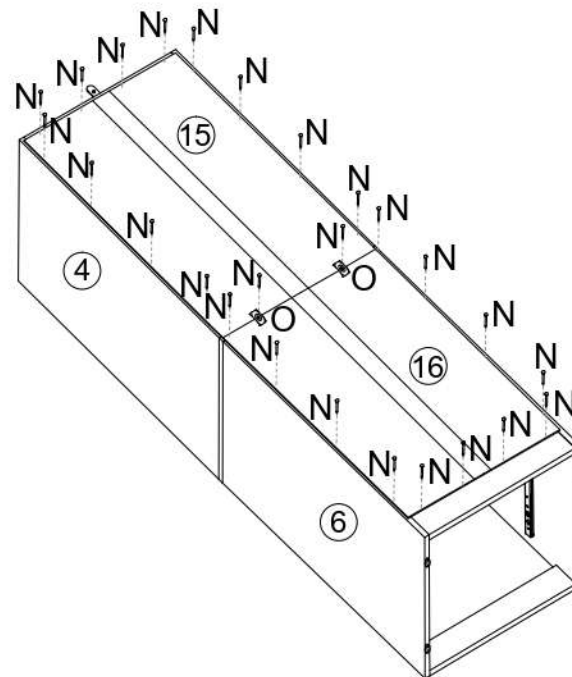
Q	x4

9

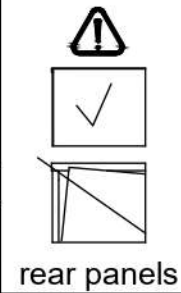


B	x4
15x12mm	

11

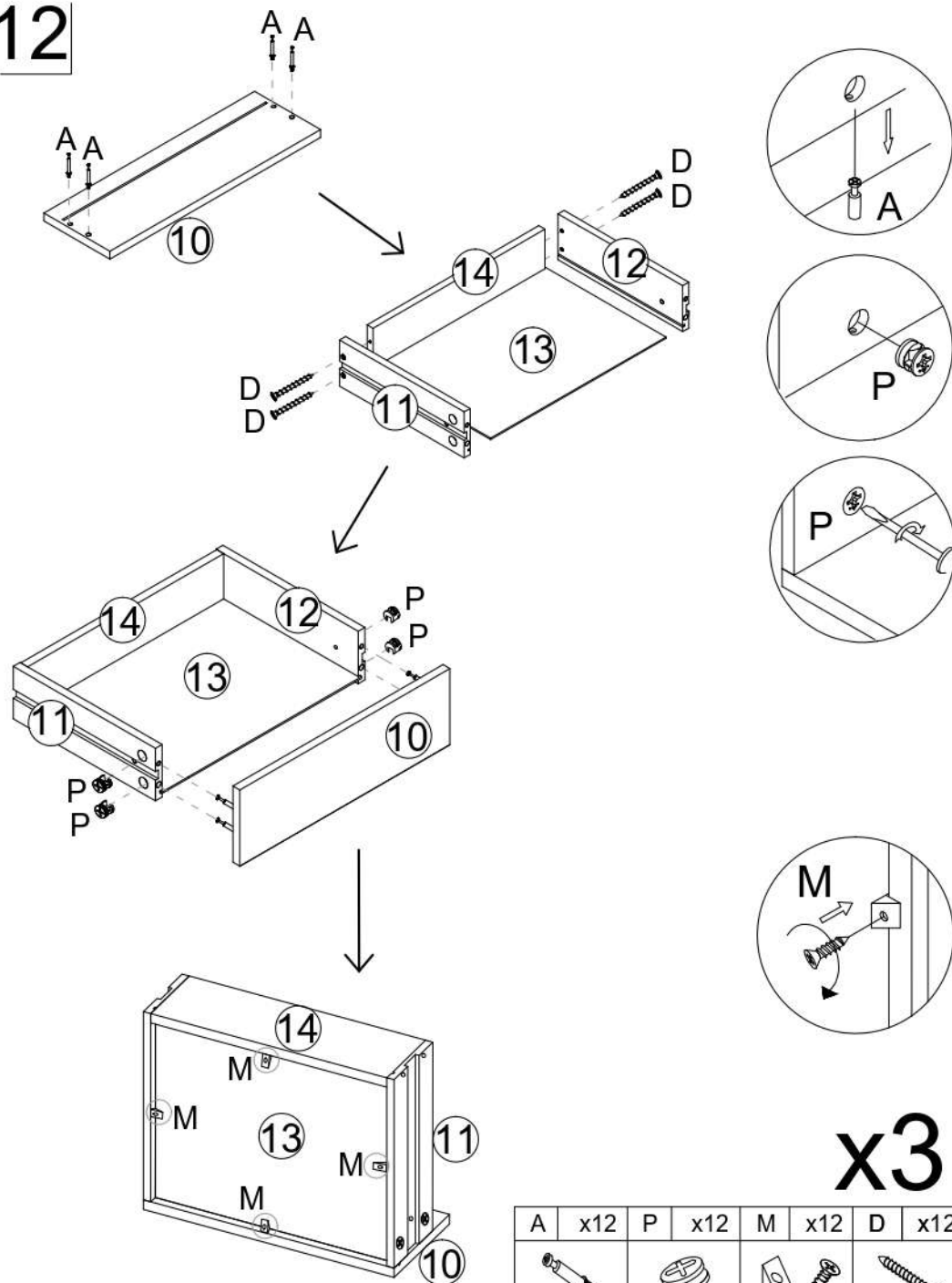


O	x2	N	x26



rear panels

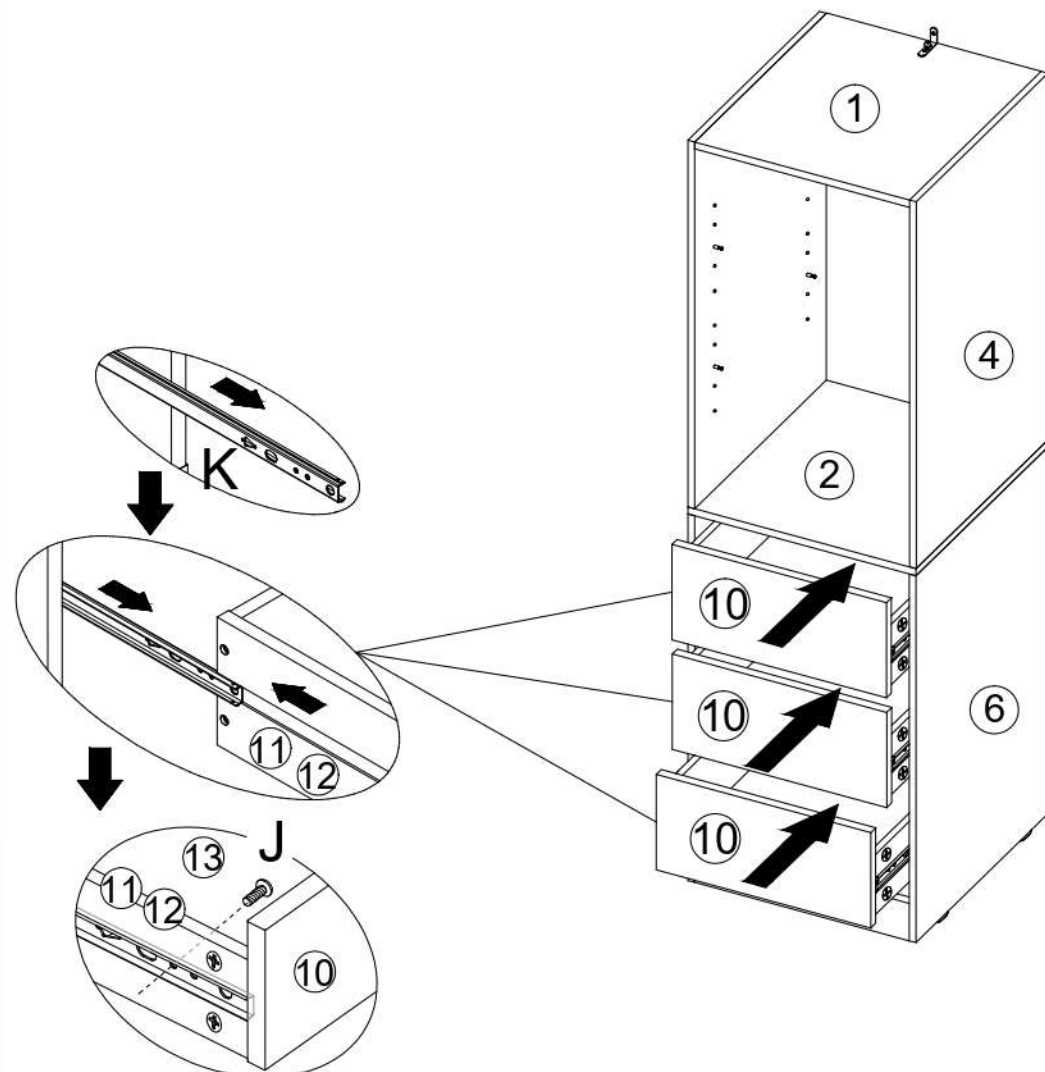
12



x3

A	x12	P	x12	M	x12	D	x12
7x35mm		12x10mm		M3x14mm		M4x40mm	

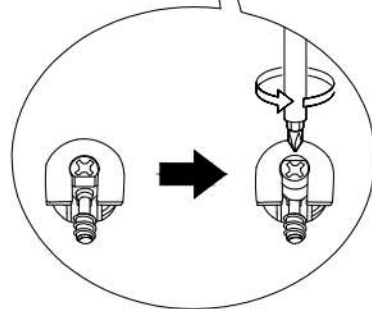
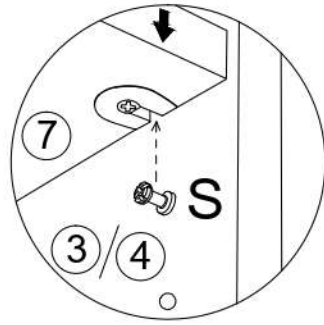
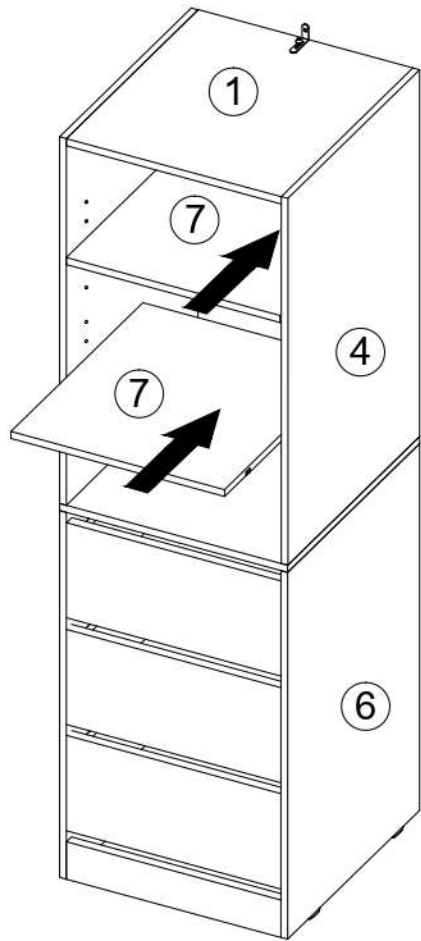
13



Screw from the inside of the drawers

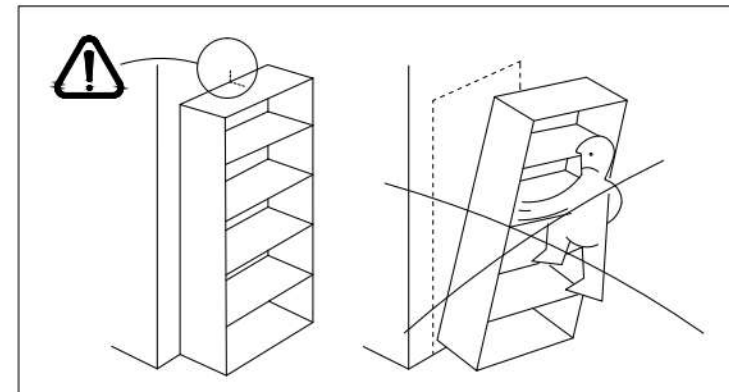
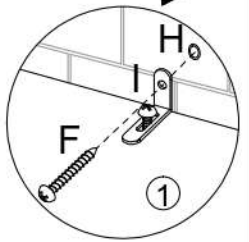
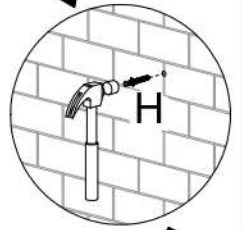
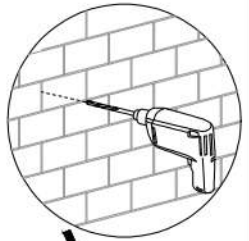
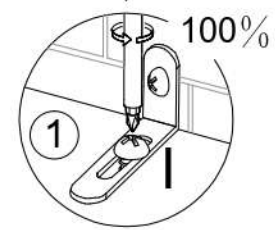
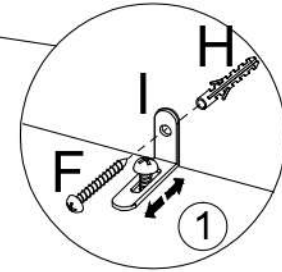
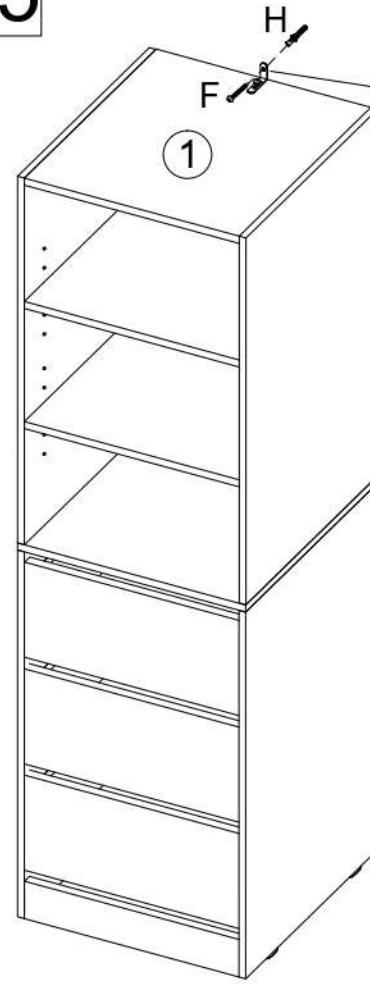
J	x6
M4x10mm	



14



15

Pre-drilled hole at wall



H	x1	F	x1
			
M4x30mm			