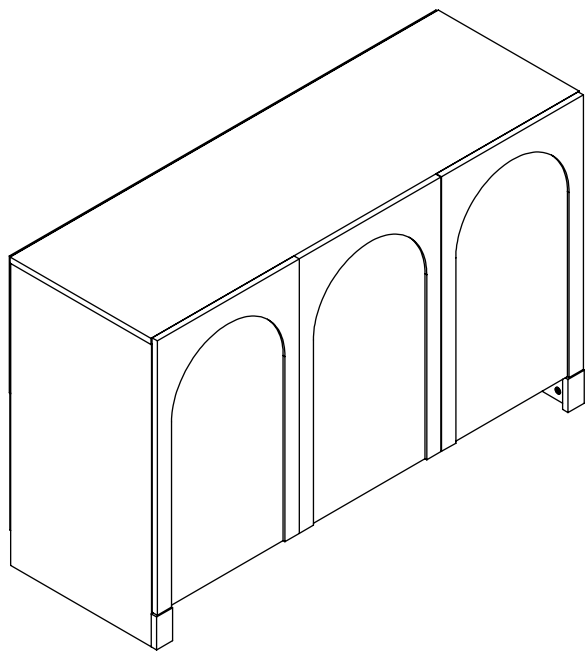


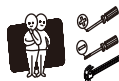
# SIDEBORD

MODEL:SB-WYNN-02-WH-A/B





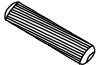







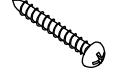





## ASSEMBLY INSTRUCTIONS

Please read instructions carefully before assembly.



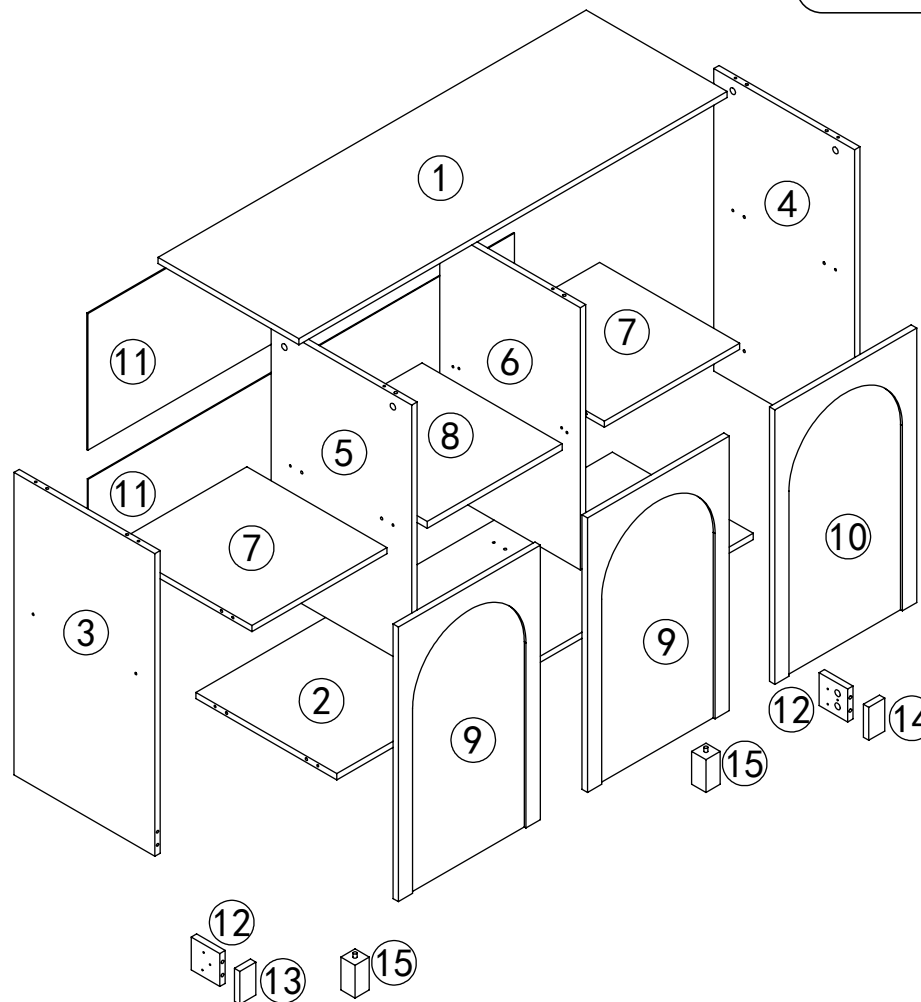
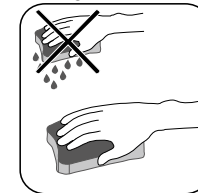
Two persons and tools required for assembly

### HARDWARE

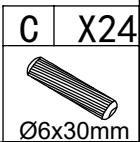
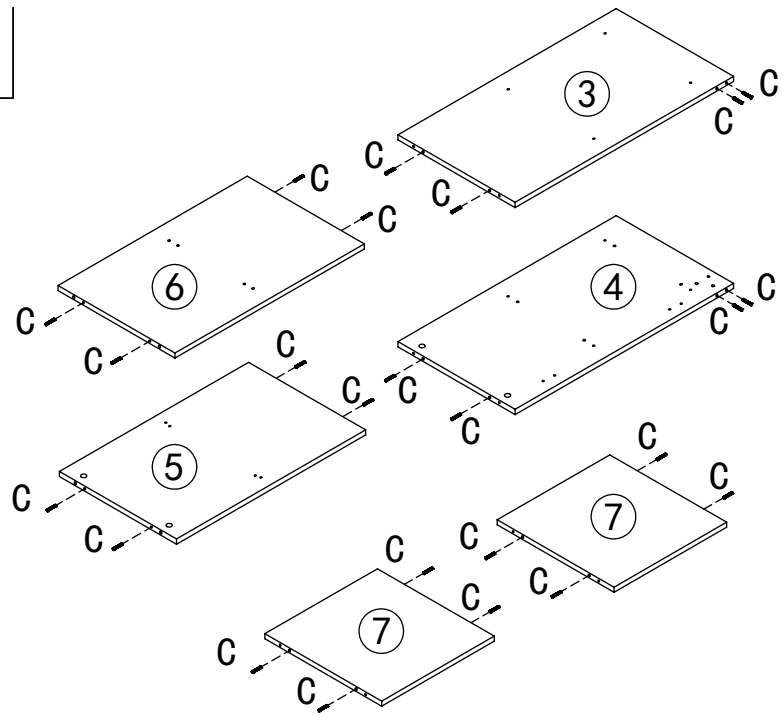
A	x12	B	x12	C	x28	D	x6	Q	x2	F	x24	G	x16
													
7x35mm	15x12mm	Ø6x30mm			M3.5x14mm	M4x40mm							
H	x2	I	x2	J	x2	K	x2	L	x4	M	x20	N	x6
													
	M4x14mm		M4x30mm										
O	x8	P	x4										
													

## PARTS

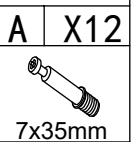
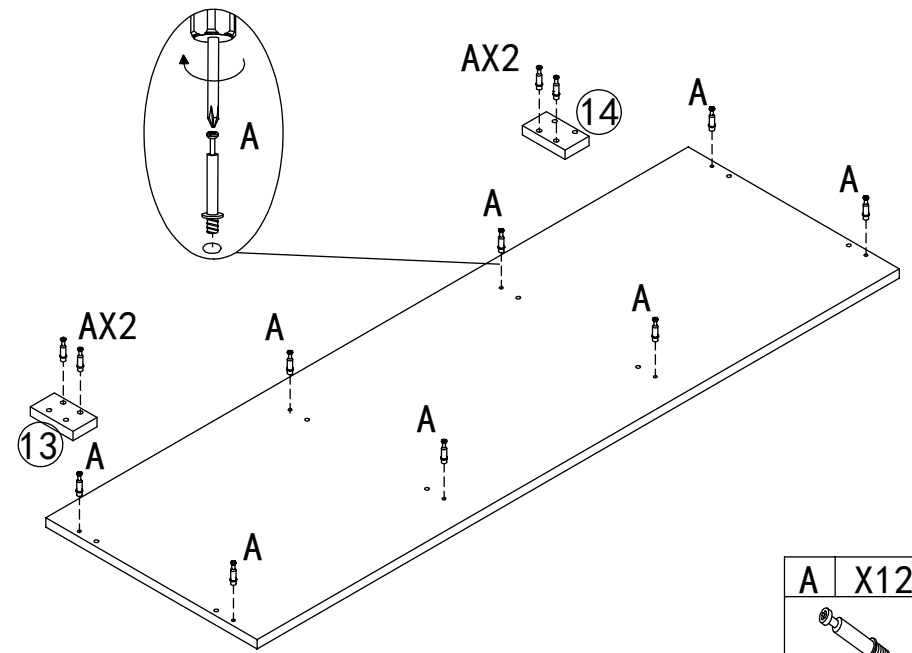
Wipe with dry cloths



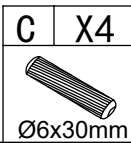
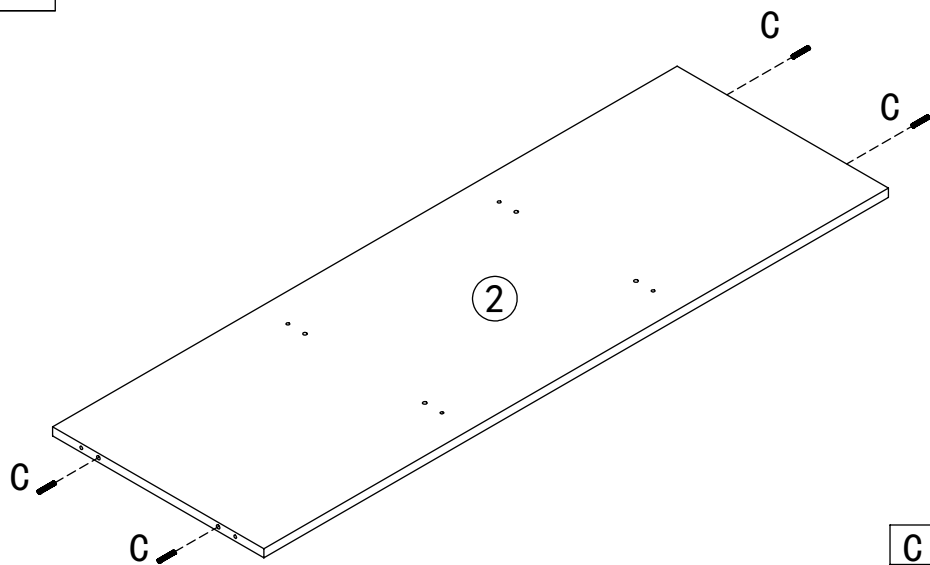
1



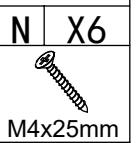
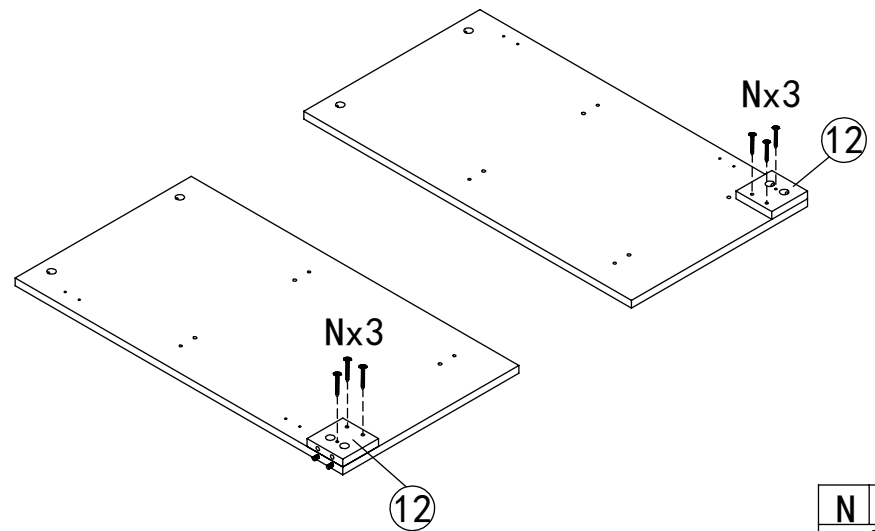
2



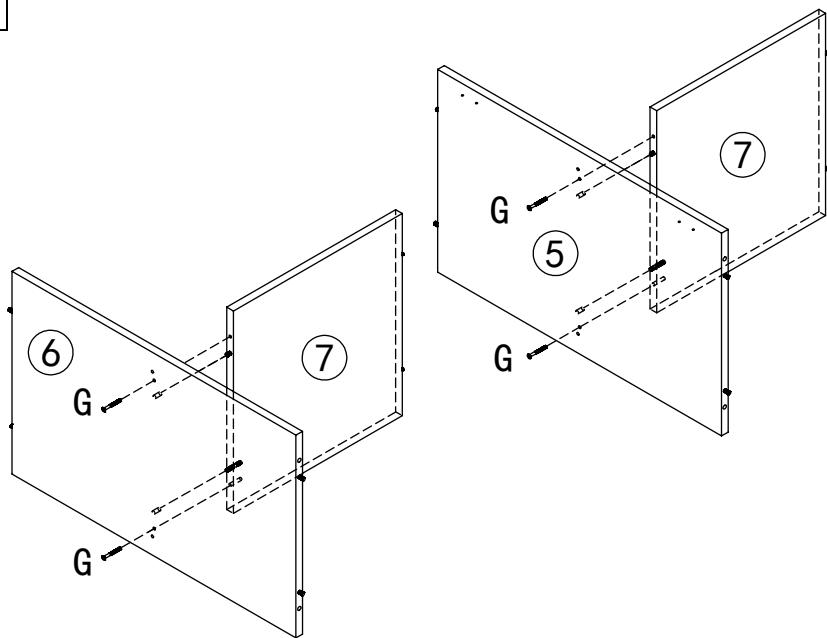
3




4

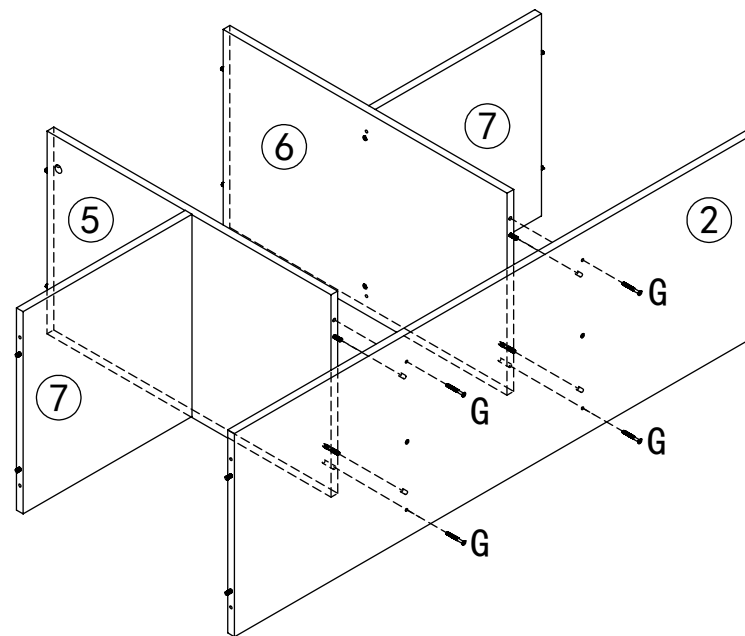


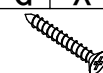
5



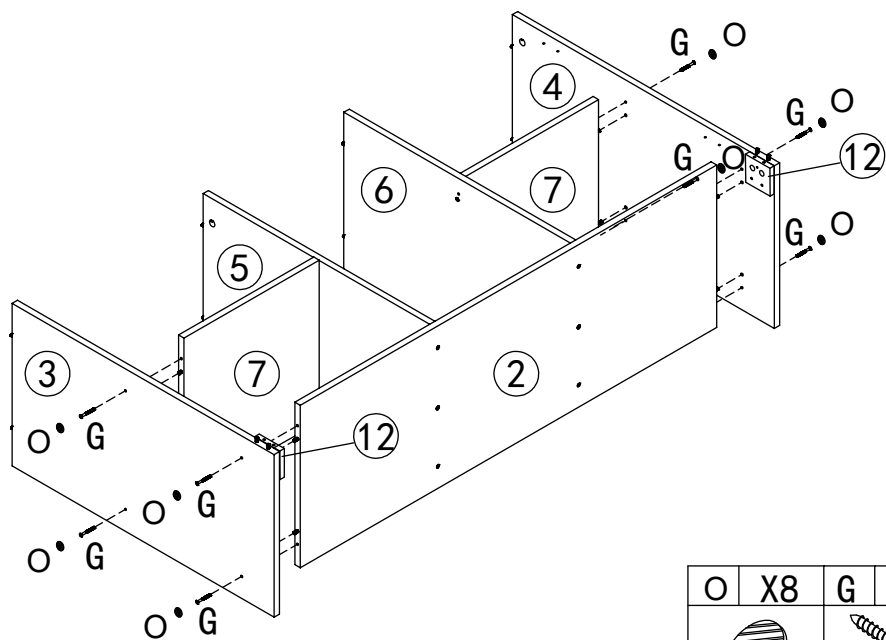
G	X4
	
M4x40mm	


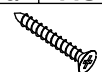
6



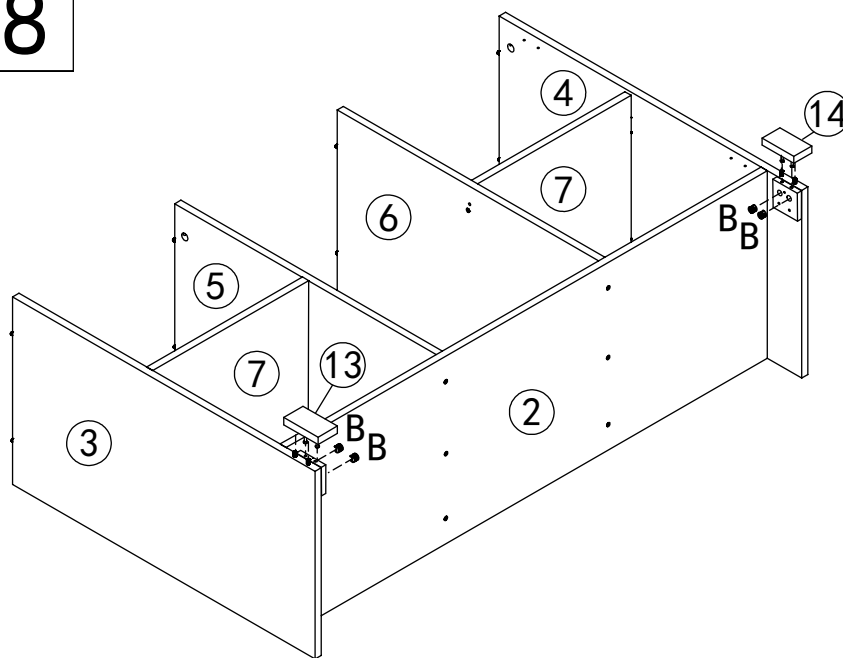
G	X4
	
M4x40mm	


7



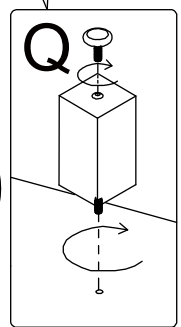
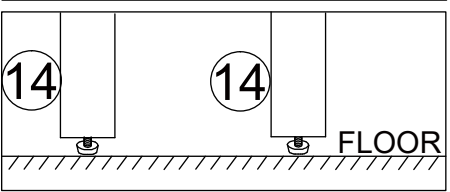
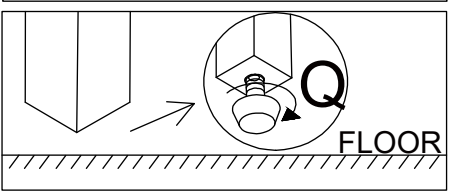
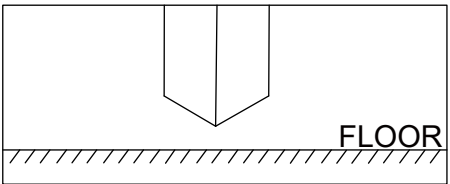
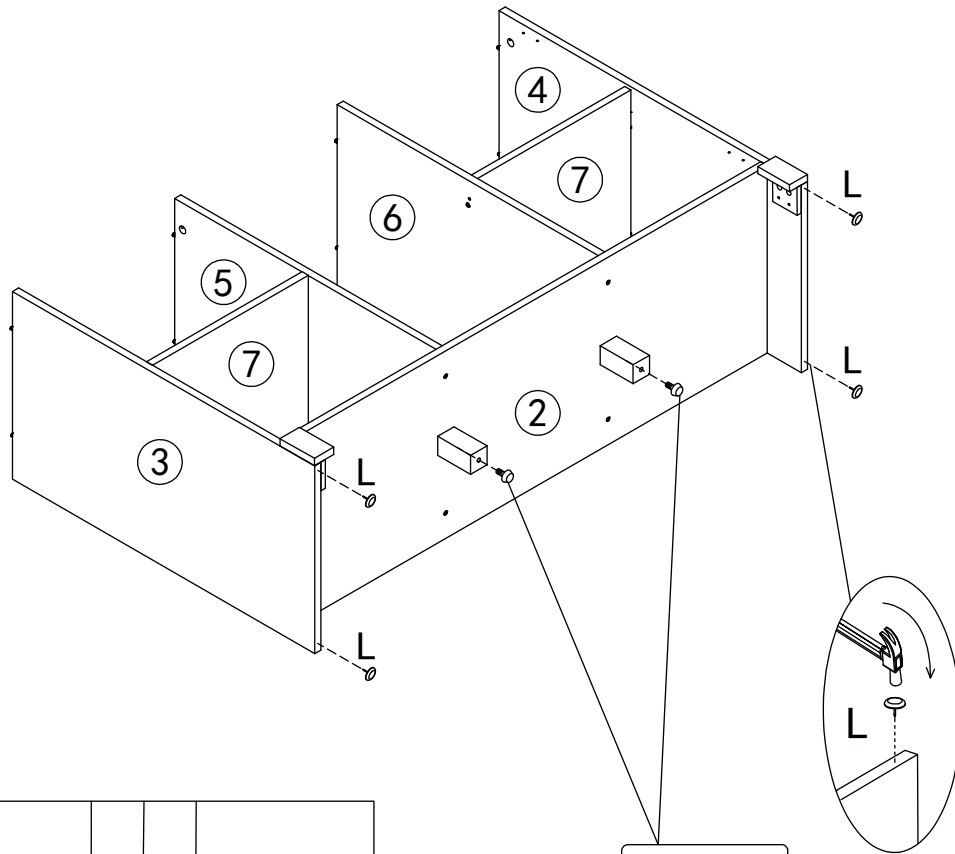
O	X8	G	X8
			
M4x40mm			

8



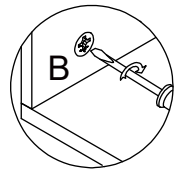
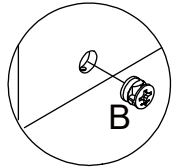
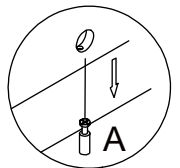
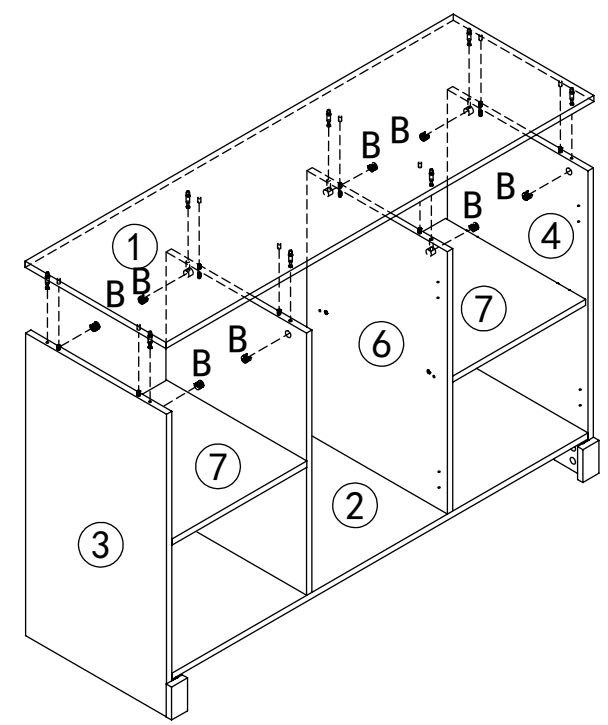
B	X4
	
15x12mm	

9



L	X4	Q	X2

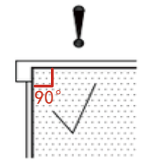
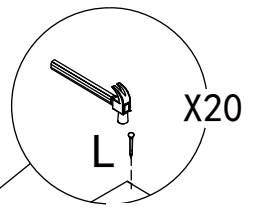
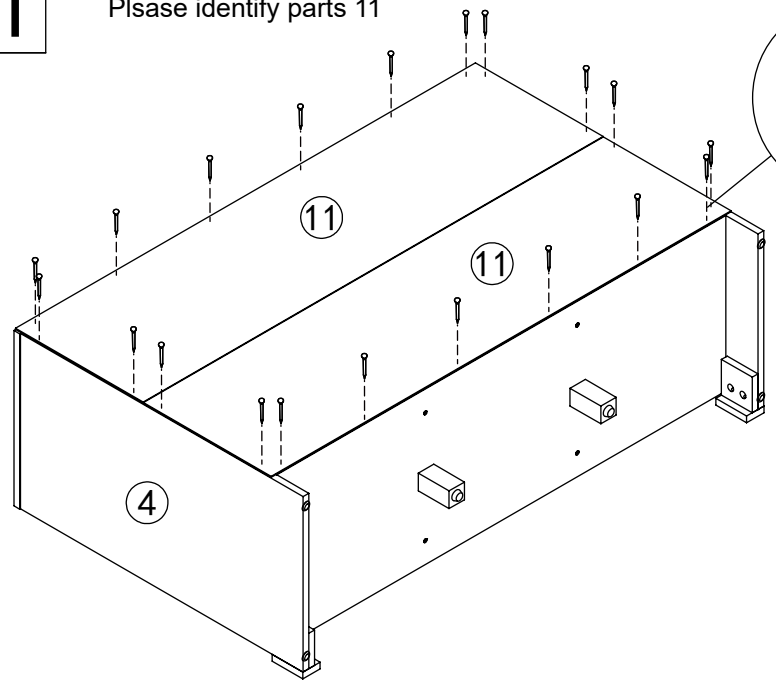
10



B	X8
15x12mm	

11

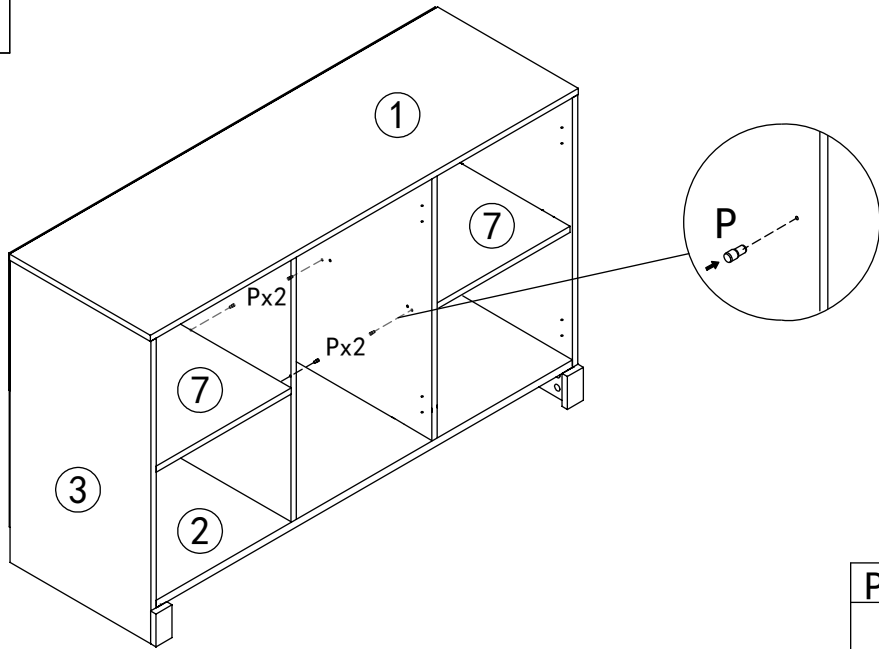
Plsase identify parts 11

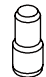


Ensure the rear panels are aligned correctly before installing L.

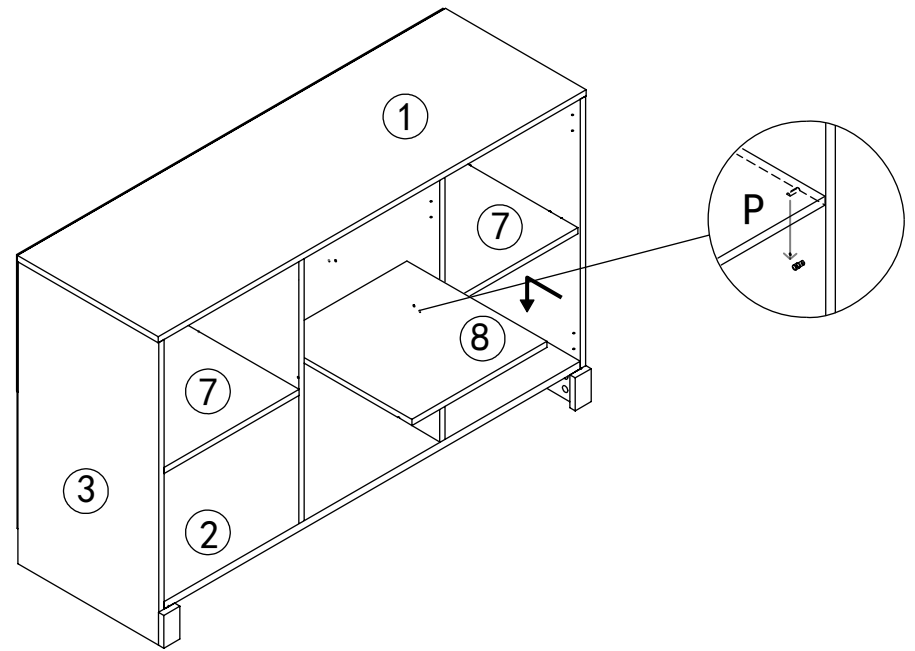
L	X20

12

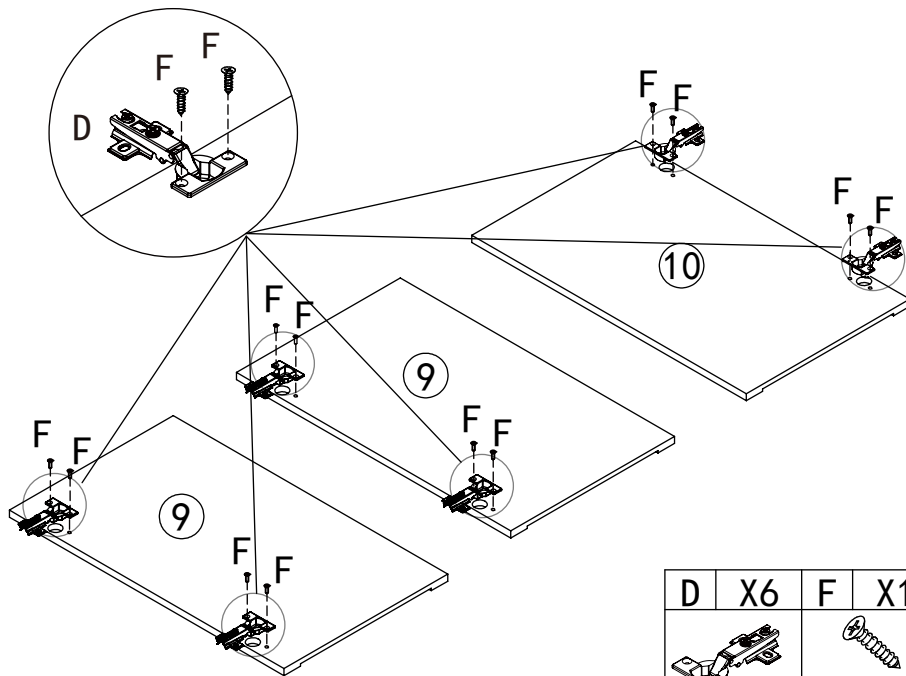


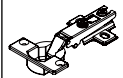

P	X4
	

13

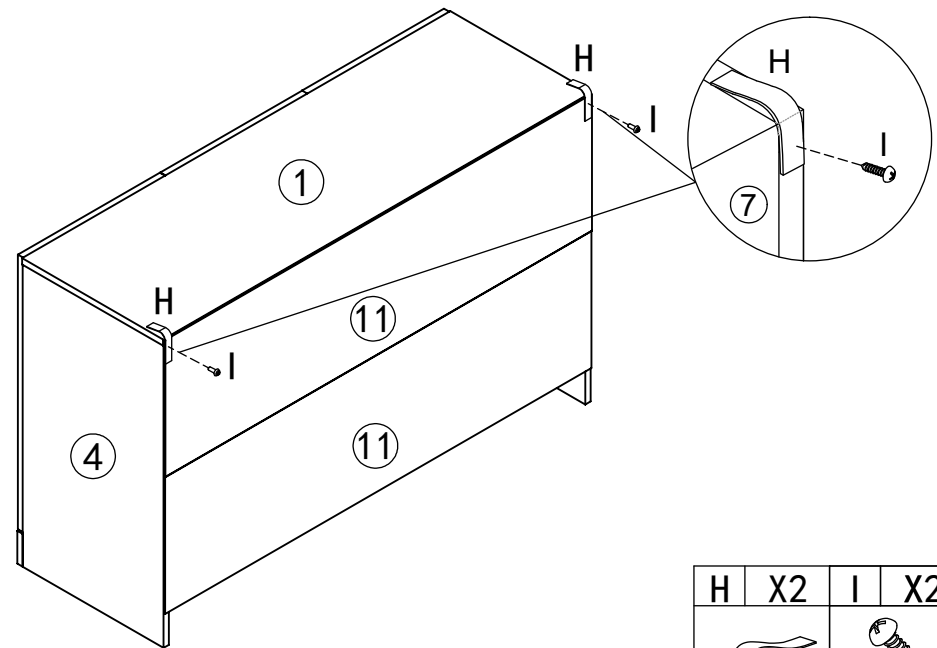




14



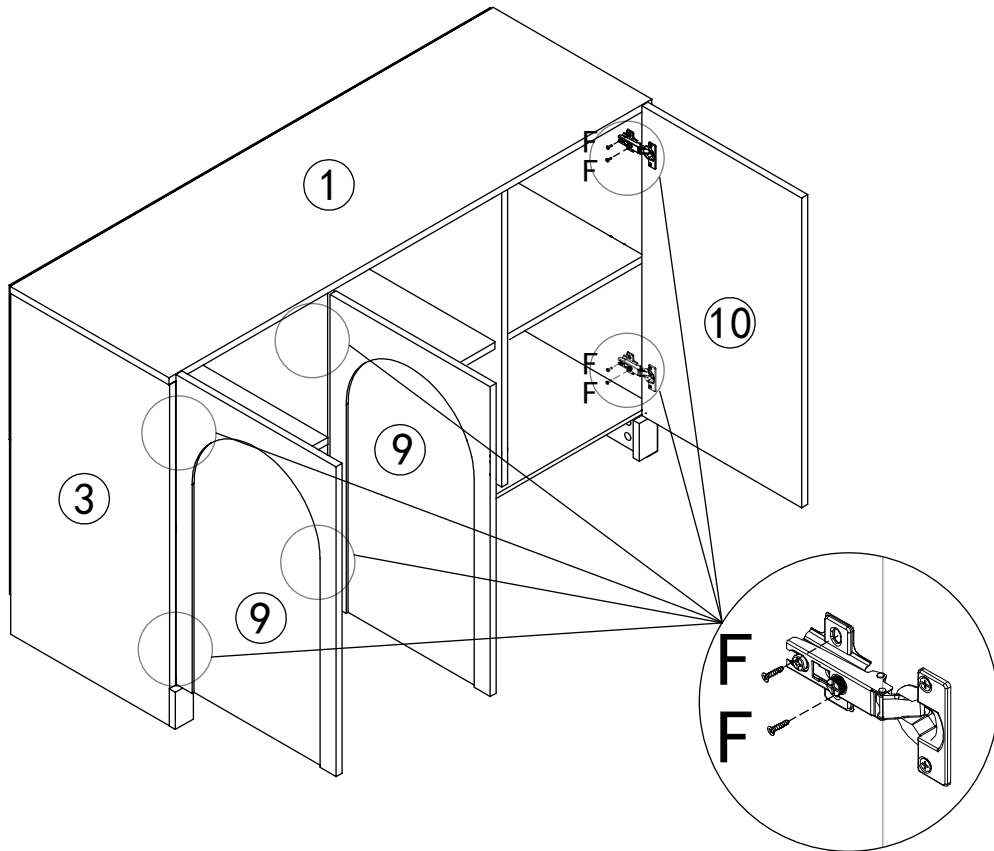
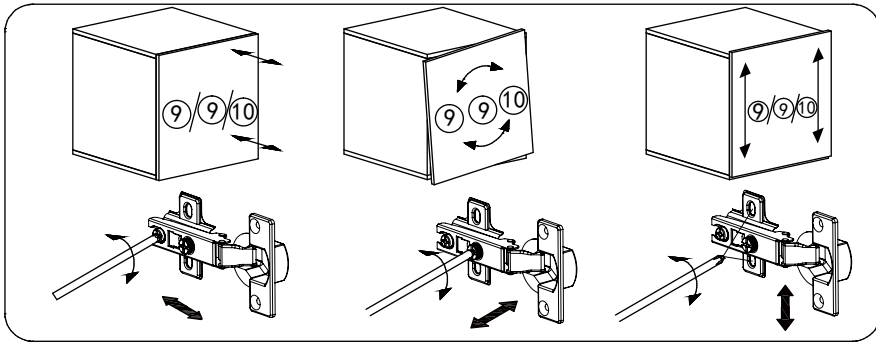
D	X6	F	X12
			
M3x14mm			

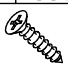
15



H	X2	I	X2
			
M4x14mm			

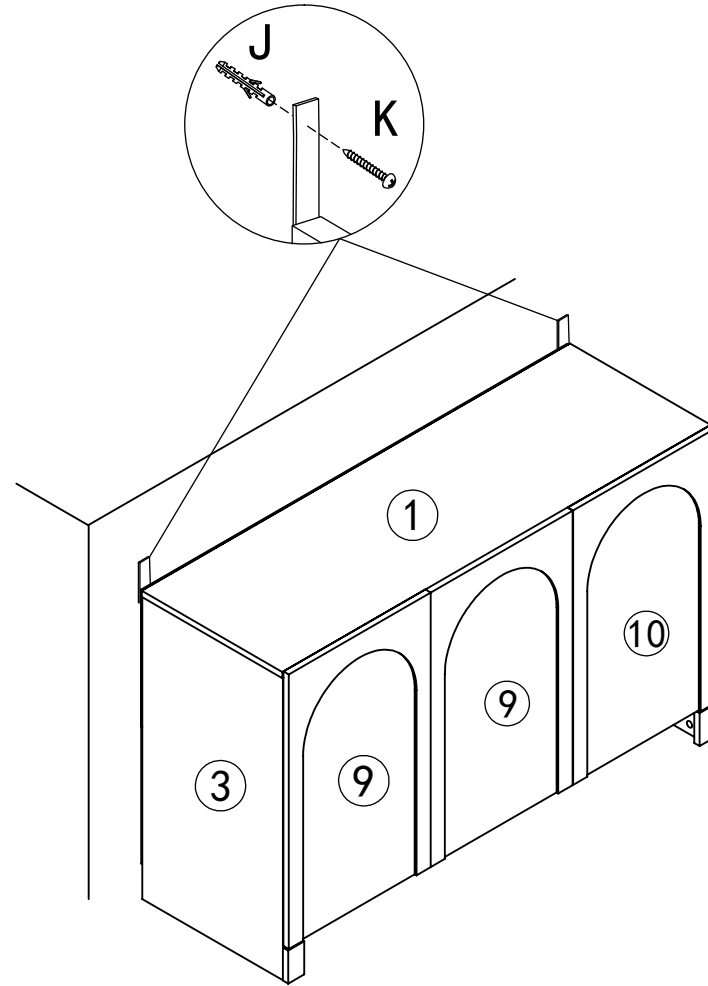
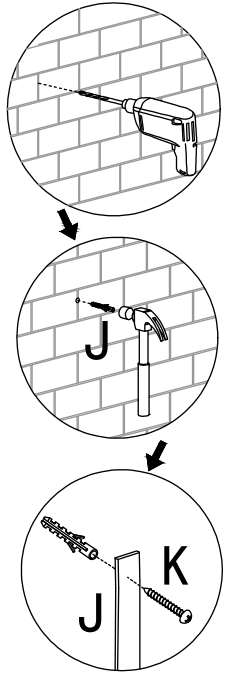
16


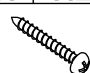


F	X12
 M3x14mm	

17

Pre-drilled hole at wall



J	X2	K	X2
 		 M4x30mm	