


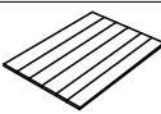







Assembly Instructions

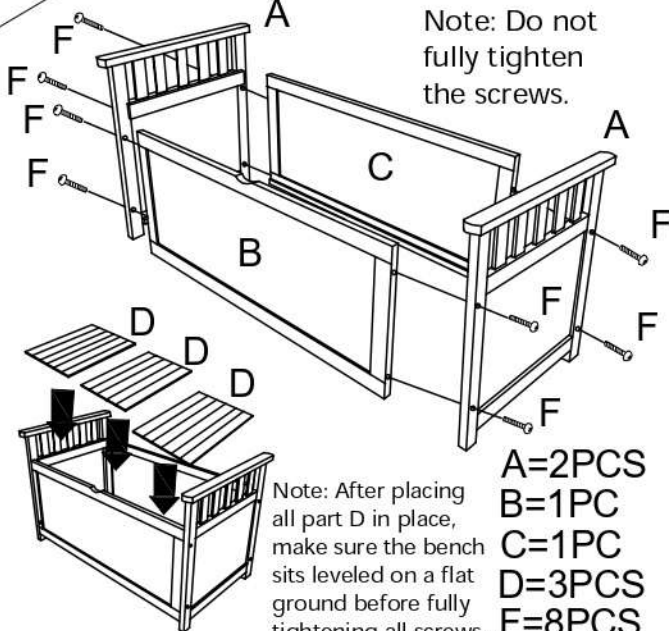
SKU: OSBE-WD-500L-CA/WH

Caution: Don't put the product in extremely dry humid environments. Wooden panel is prone to cracking in moisture content under 6% or above 16%.



A (2pcs) 	B (1pc) 	C (1pc) 
D (3pcs) 	E (1pc) 	F (8pcs) 
G (9pcs) 	H (1set) 	
		H2 (5pcs) 

1

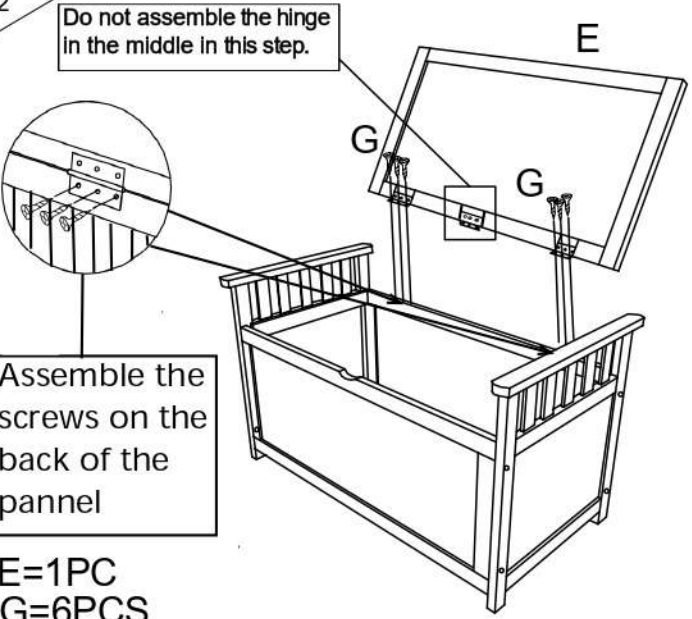


Note: Do not fully tighten the screws.

Note: After placing all part D in place, make sure the bench sits leveled on a flat ground before fully tightening all screws.

A=2PCS
B=1PC
C=1PC
D=3PCS
F=8PCS

2

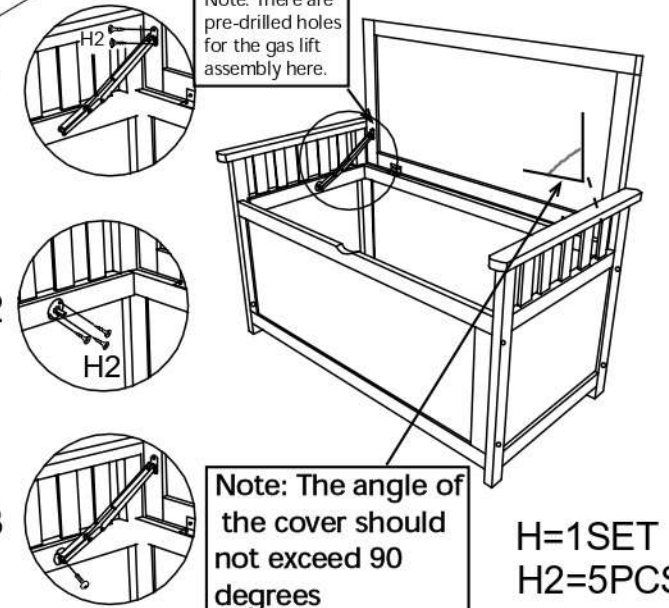


Do not assemble the hinge in the middle in this step.

Assemble the screws on the back of the pannel

E=1PC
G=6PCS

3

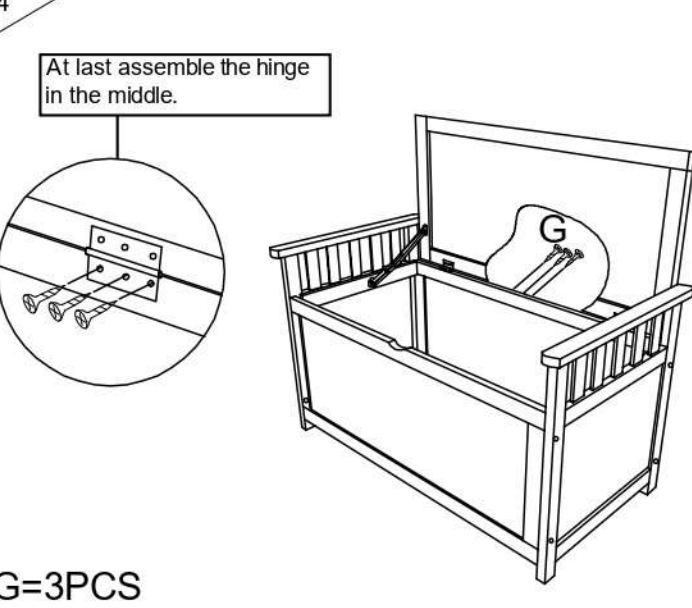


Note: There are pre-drilled holes for the gas lift assembly here.

Note: The angle of the cover should not exceed 90 degrees

H=1SET
H2=5PCS

4



At last assemble the hinge in the middle.

G=3PCS