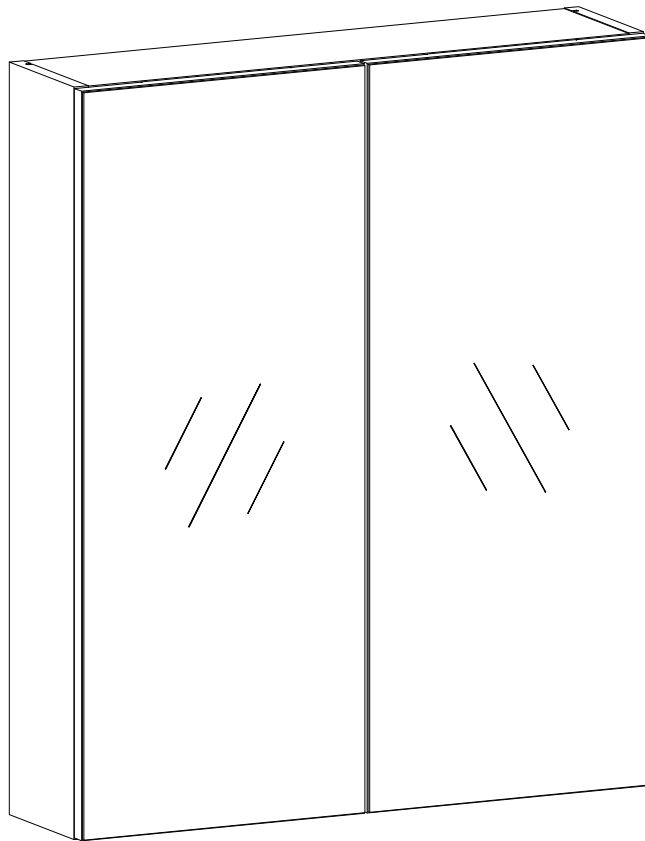




Bathroom Cabinet

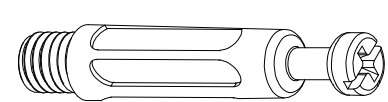
Name: ST-BD-MR75-WH

Size: 750×150×720 mm

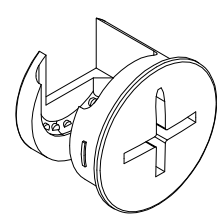


Hardware

A × 8 PCS
Φ6×40mm



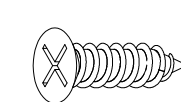
B × 8 PCS
Φ15×11mm



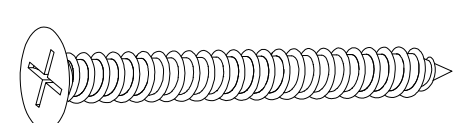
C × 8 PCS
Φ8×40mm



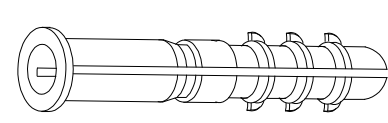
E × 24 PCS
ST3.5*14



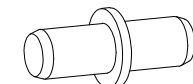
F × 4 PCS
ST4*80



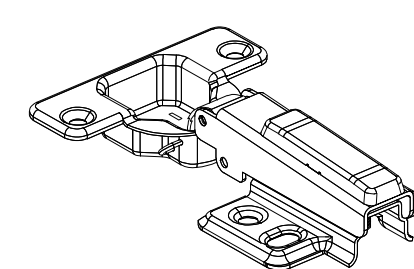
G × 4 PCS
Φ6×60mm



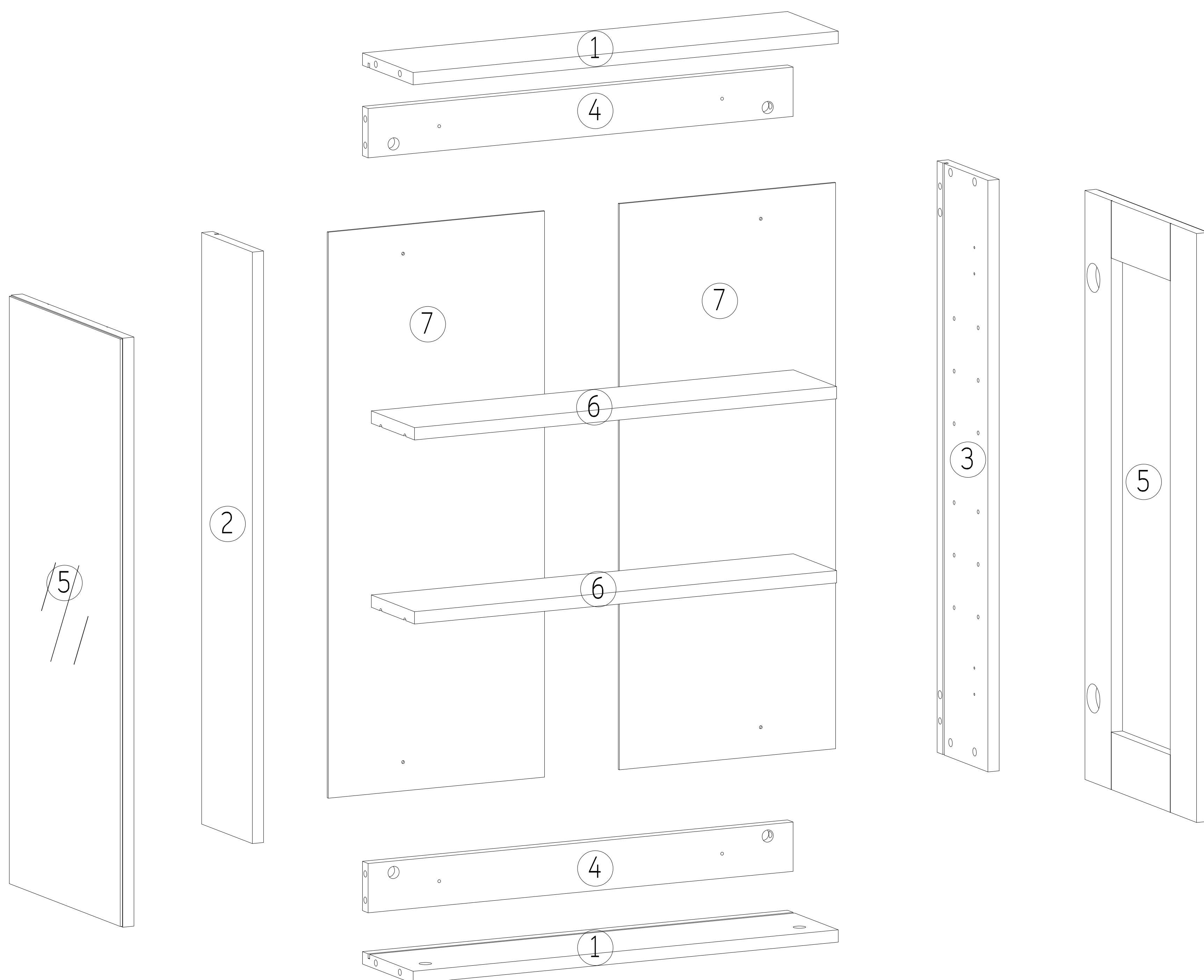
H × 8 PCS



J × 4 PCS



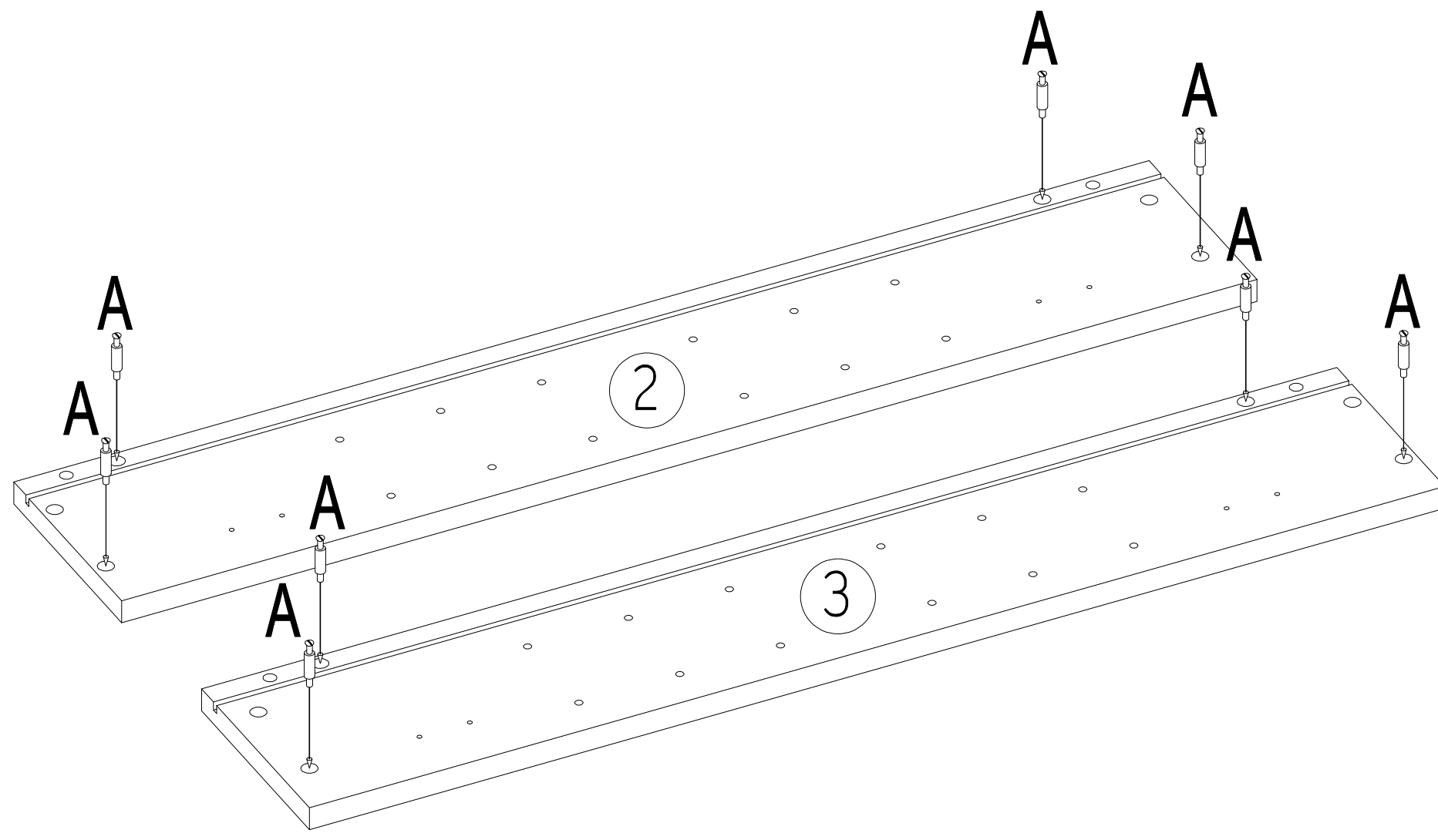
Exploded view





1

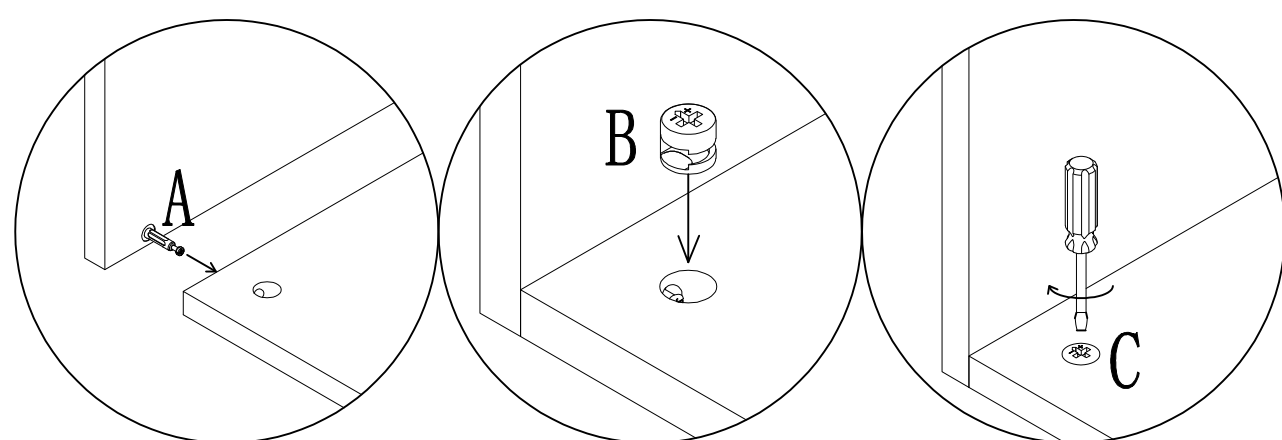
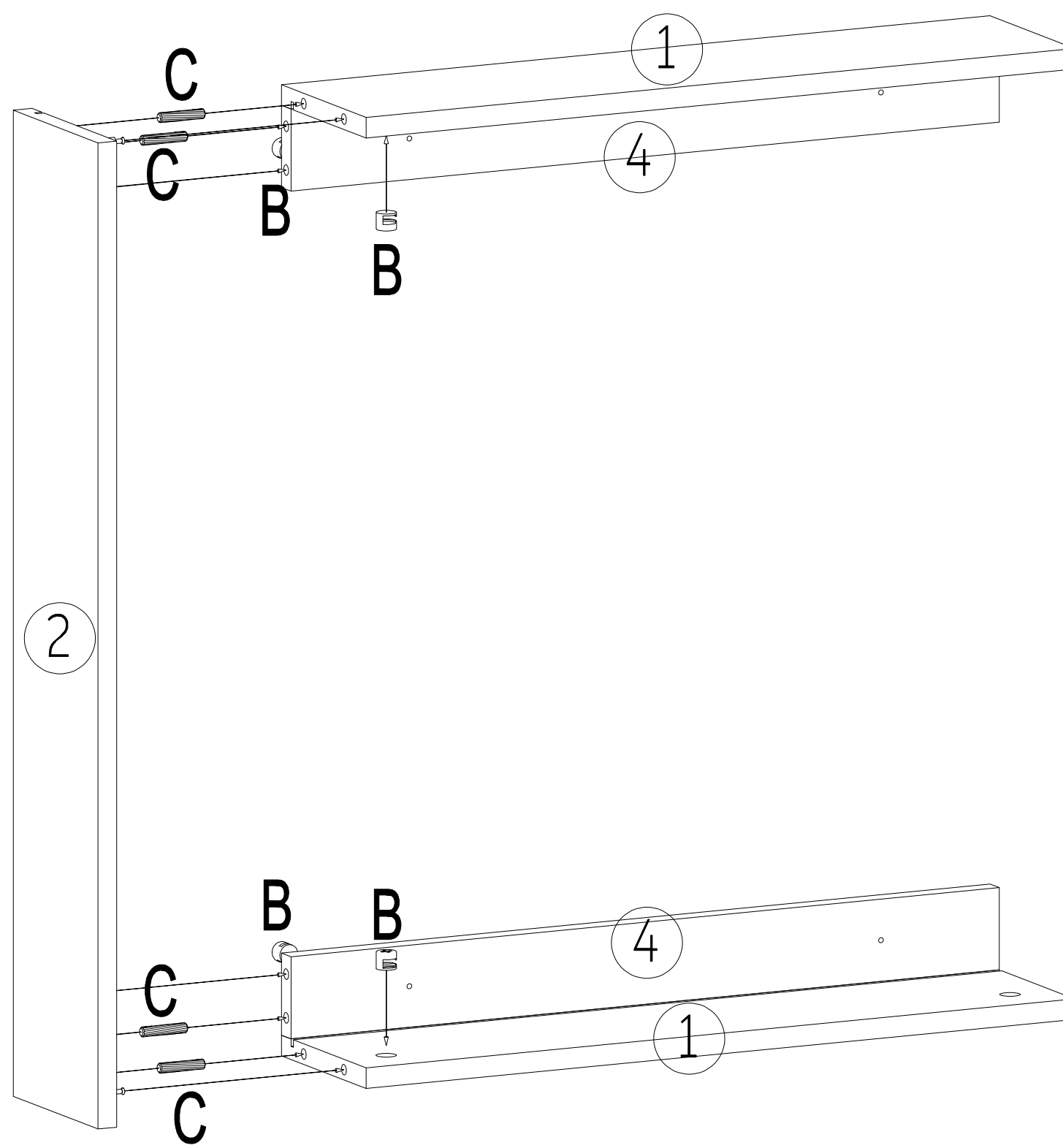
A x 8 PCS



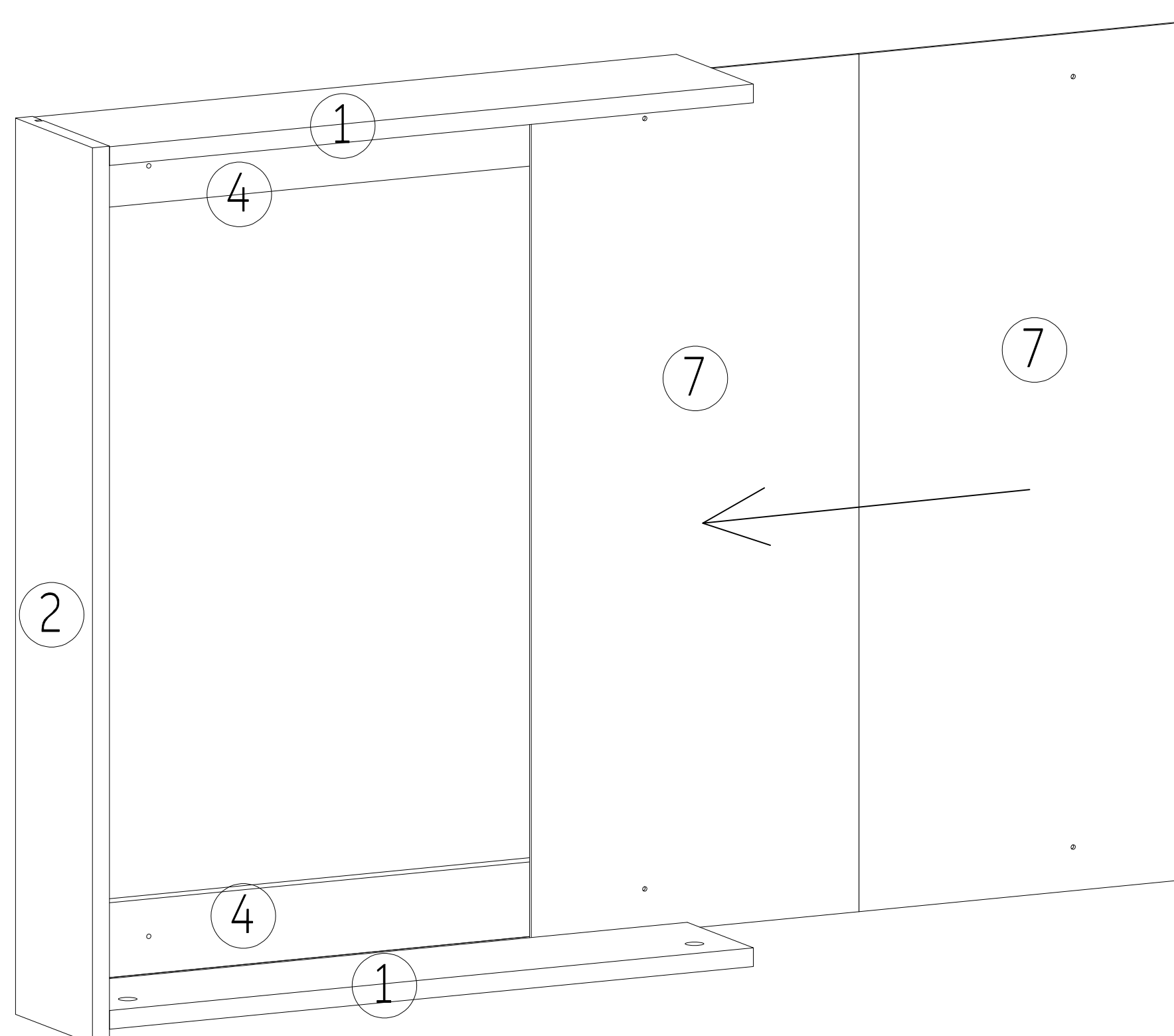
2

B x 4 PCS

C x 4 PCS



3

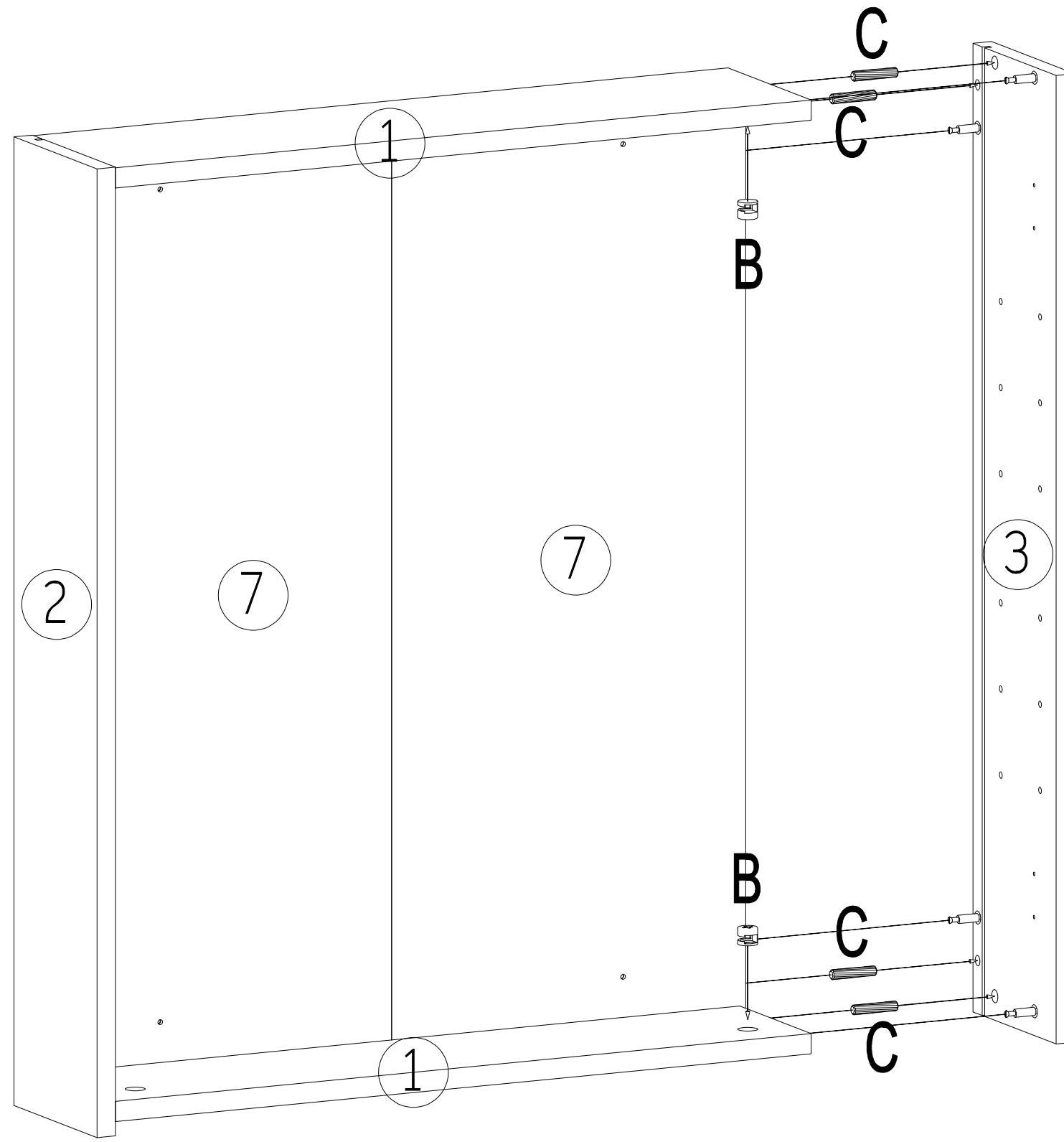


4

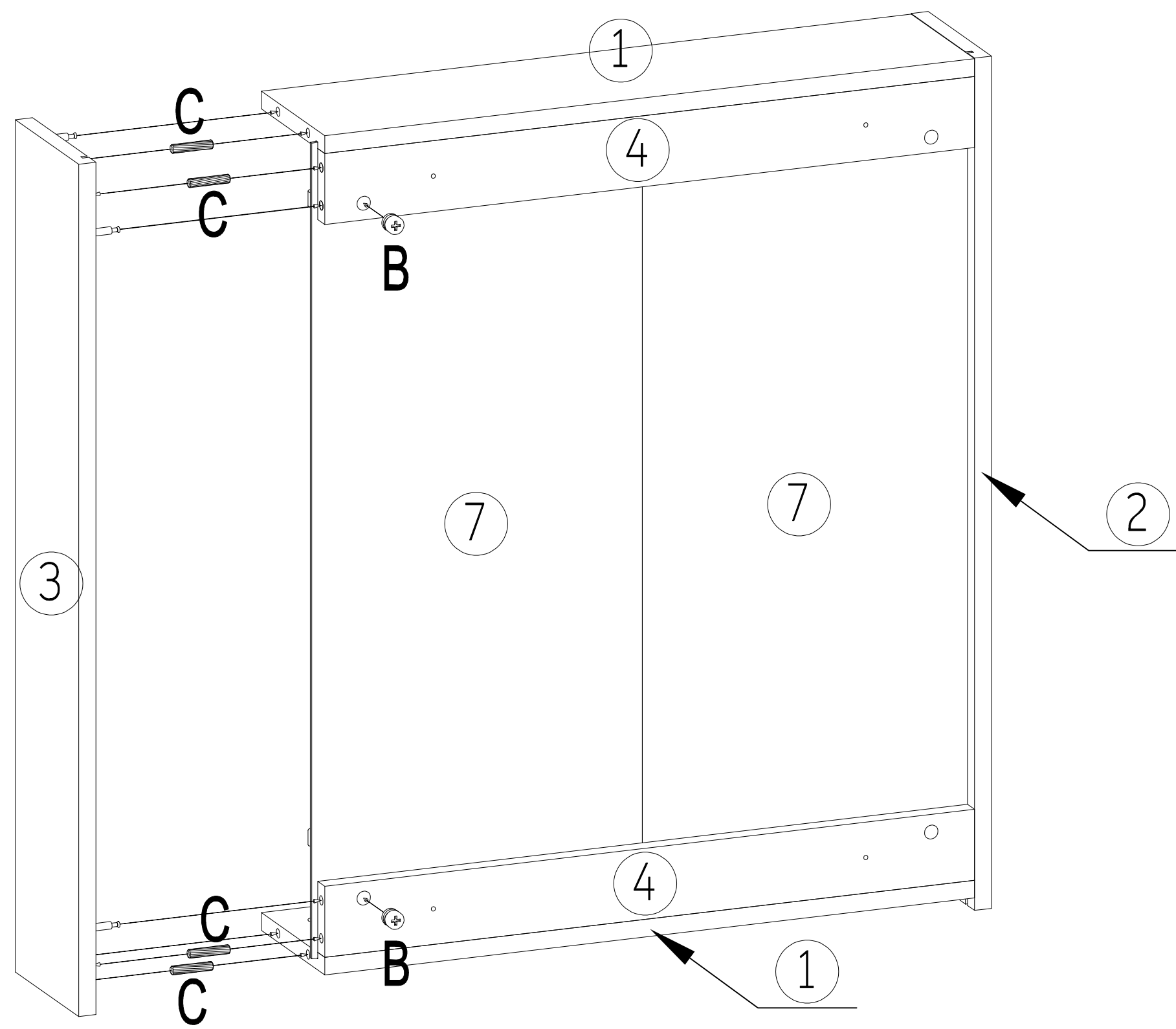
Front view

B x 4 PCS

C x 4 PCS



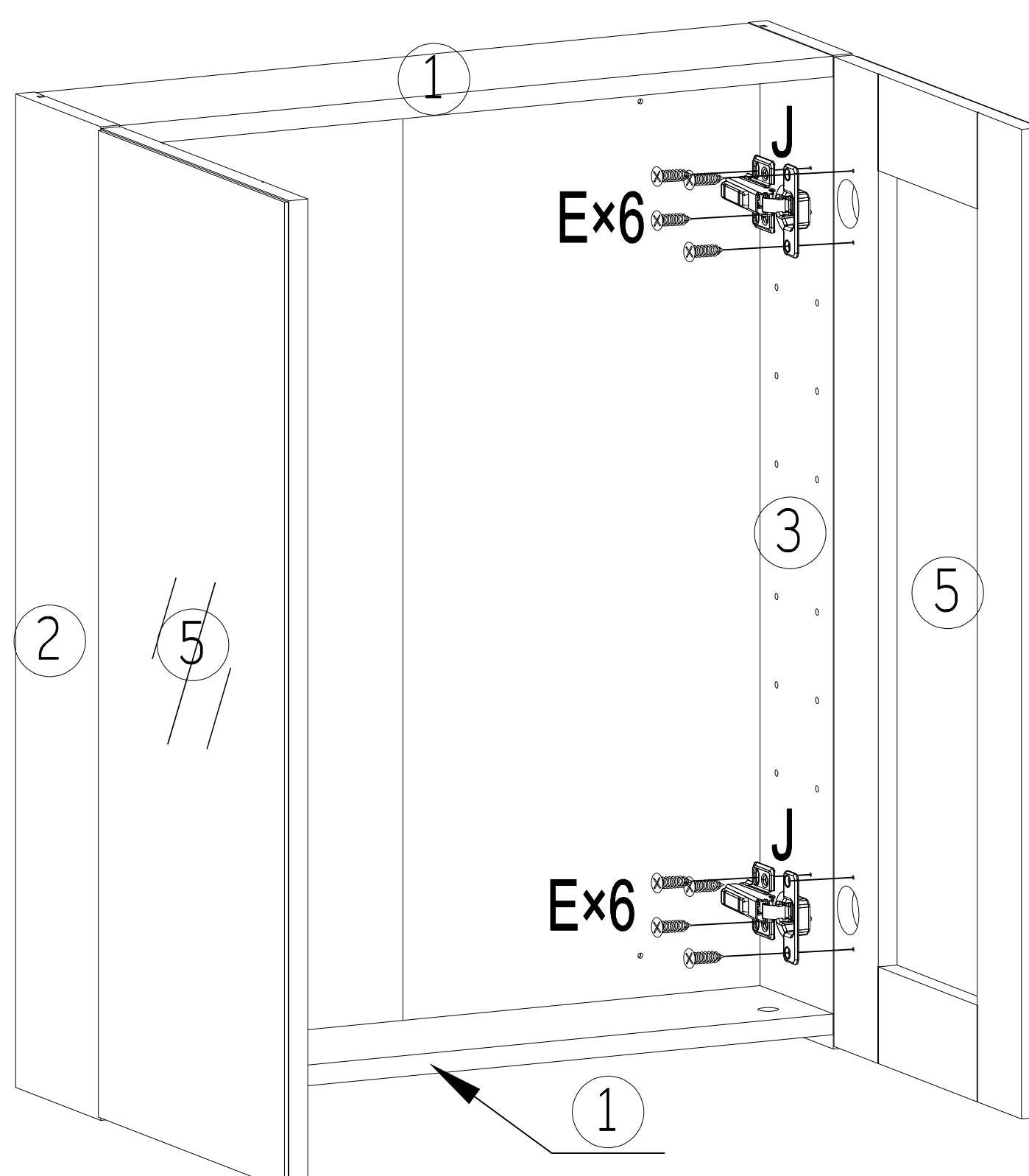
Back view



5

E x 24 PCS

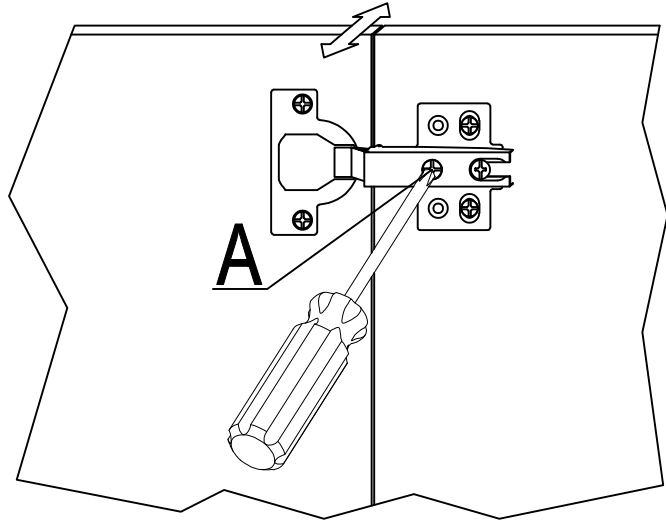
J x 4 PCS



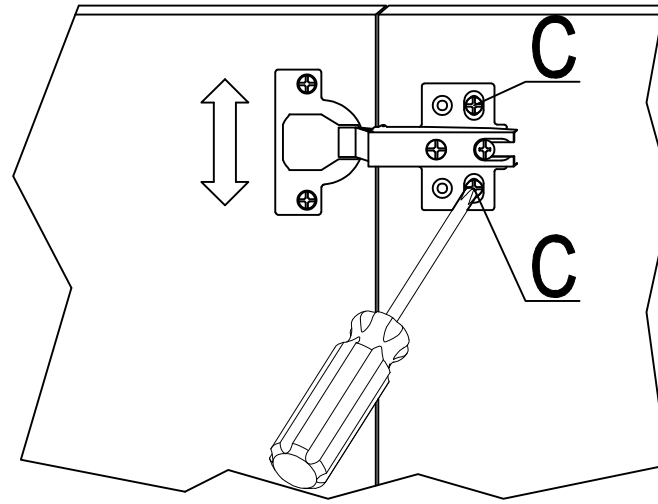
6

Hinge Adjustment

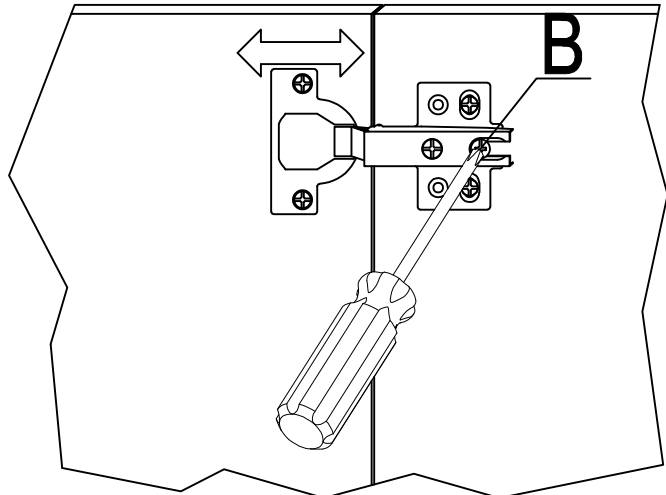
If the doors do not appear square or aligned, loosen or tighten the appropriate screws on each case hinge as illustrated.



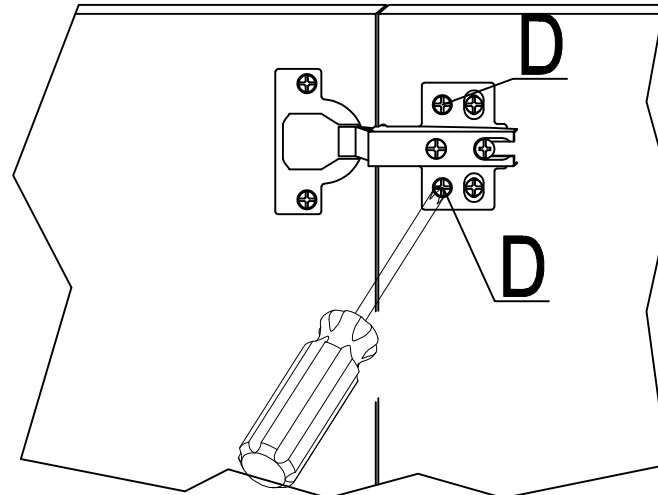
1) Side to side adjustment:
Adjust the clearance between door and cabinet by turning screw A.



3) Height adjustment:
Loosen screw C, adjust door height and lock screw C.



2) Depth adjustment:
Loosen screw B, push hinge arm forwards or backwards, and then lock screw B.

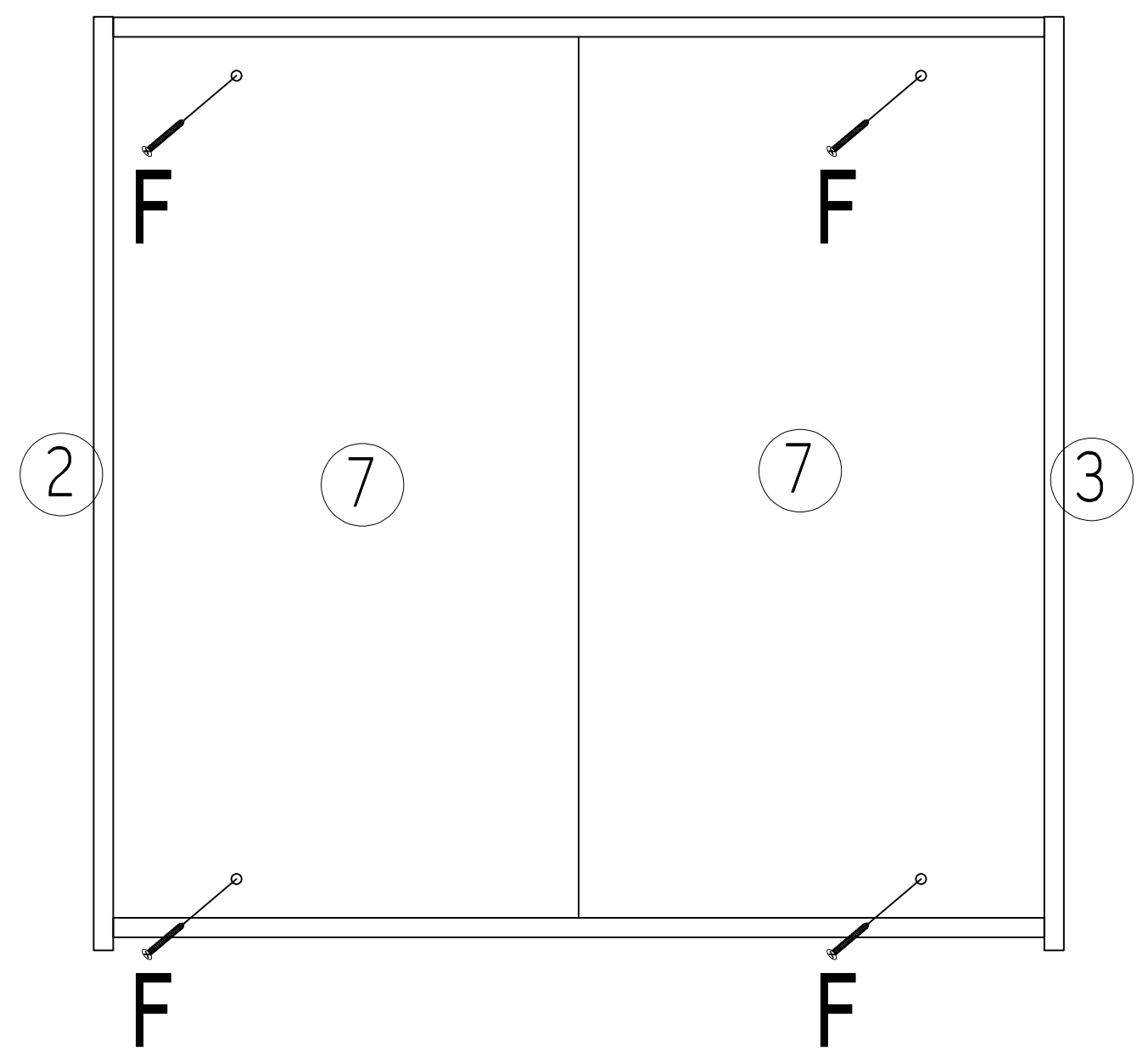
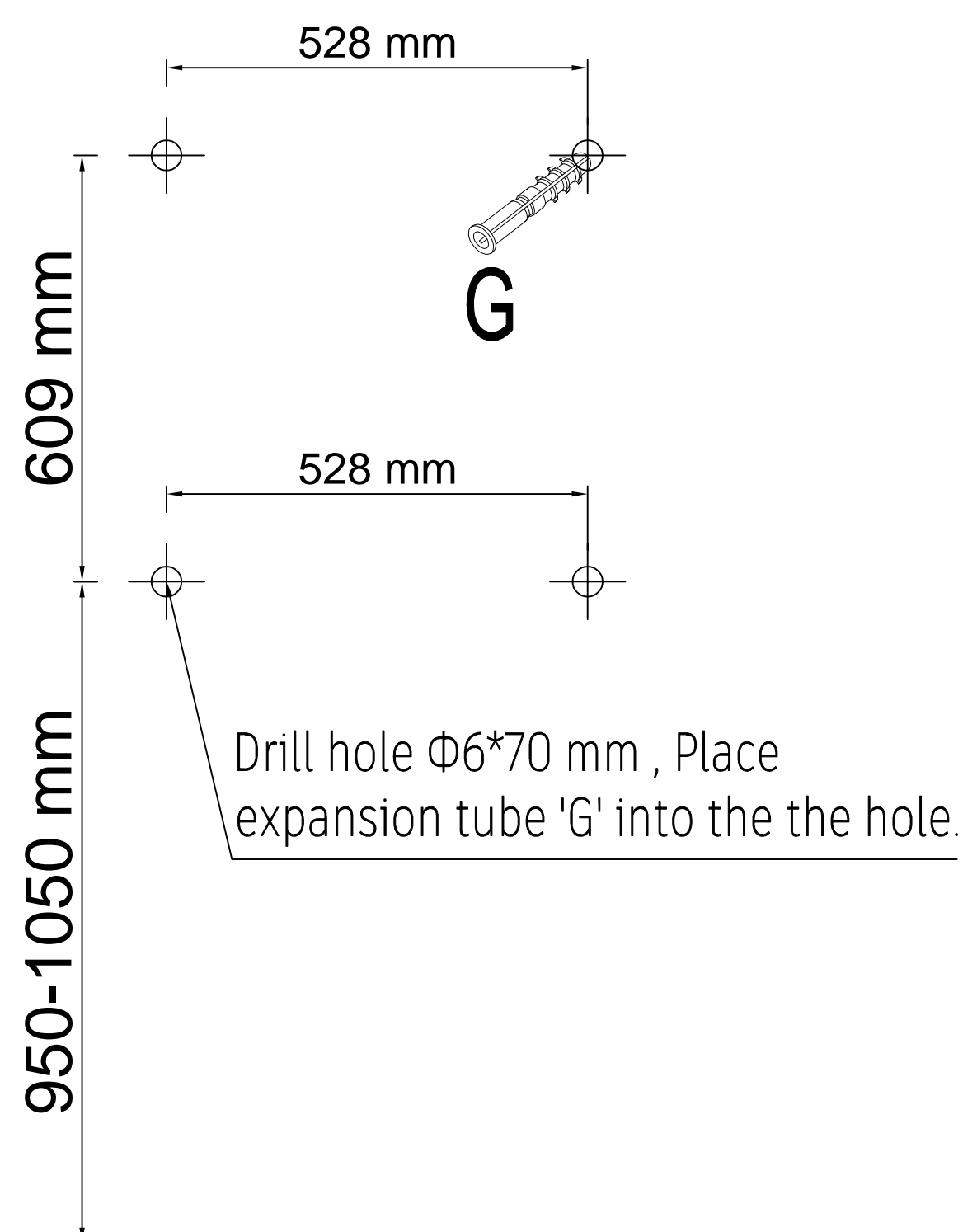


4) Fixed:
After adjustment, lock screw D. Make the hinge can't move.

7

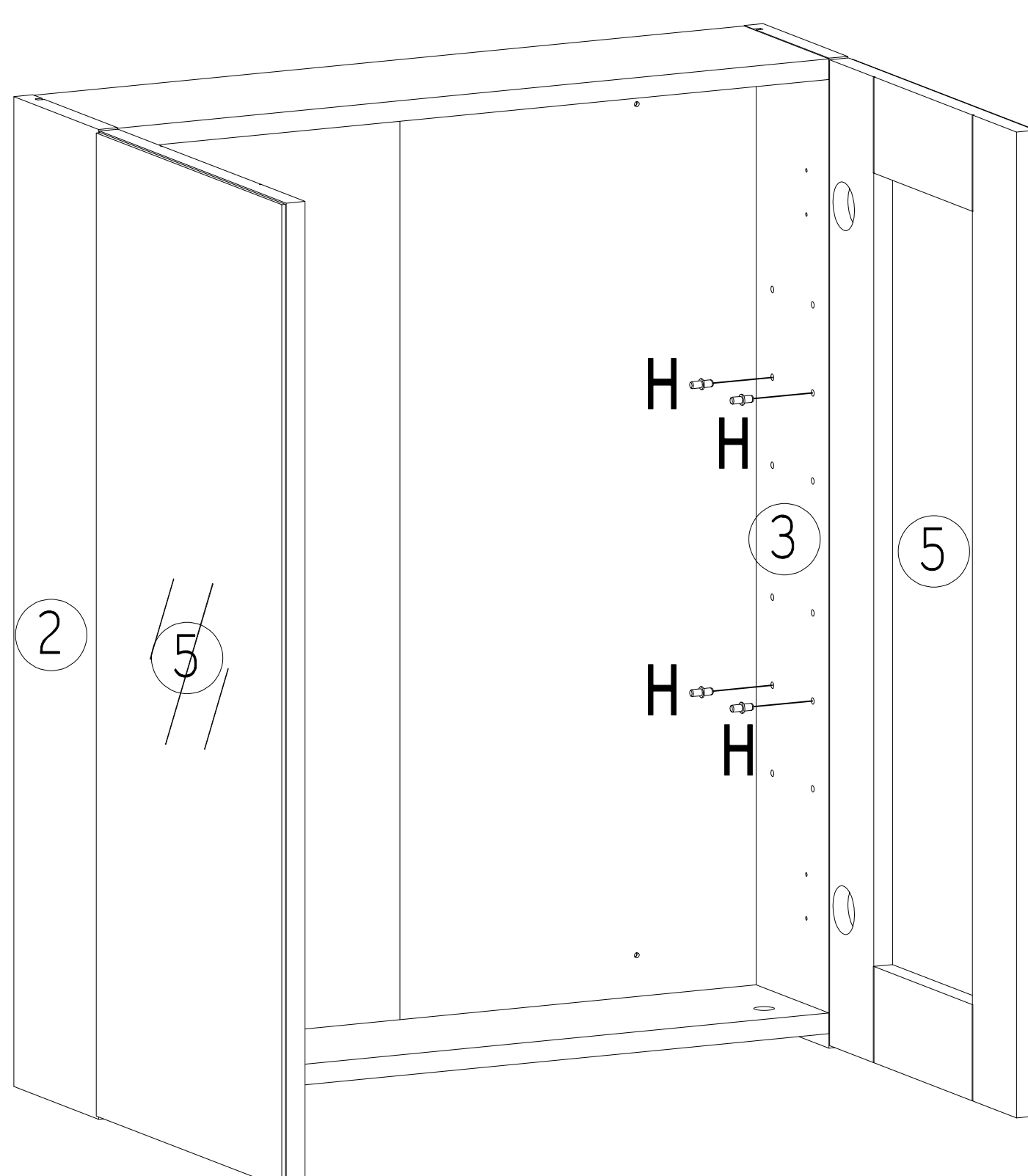
F x 4 PCS

G x 4 PCS



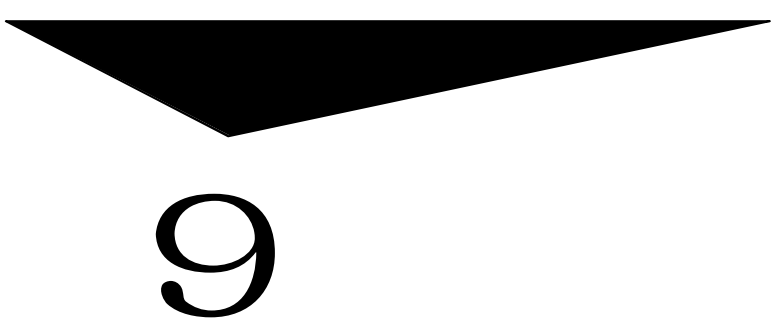
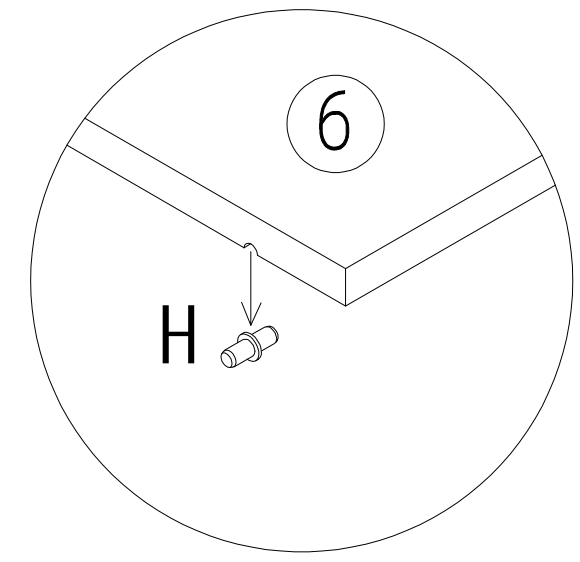
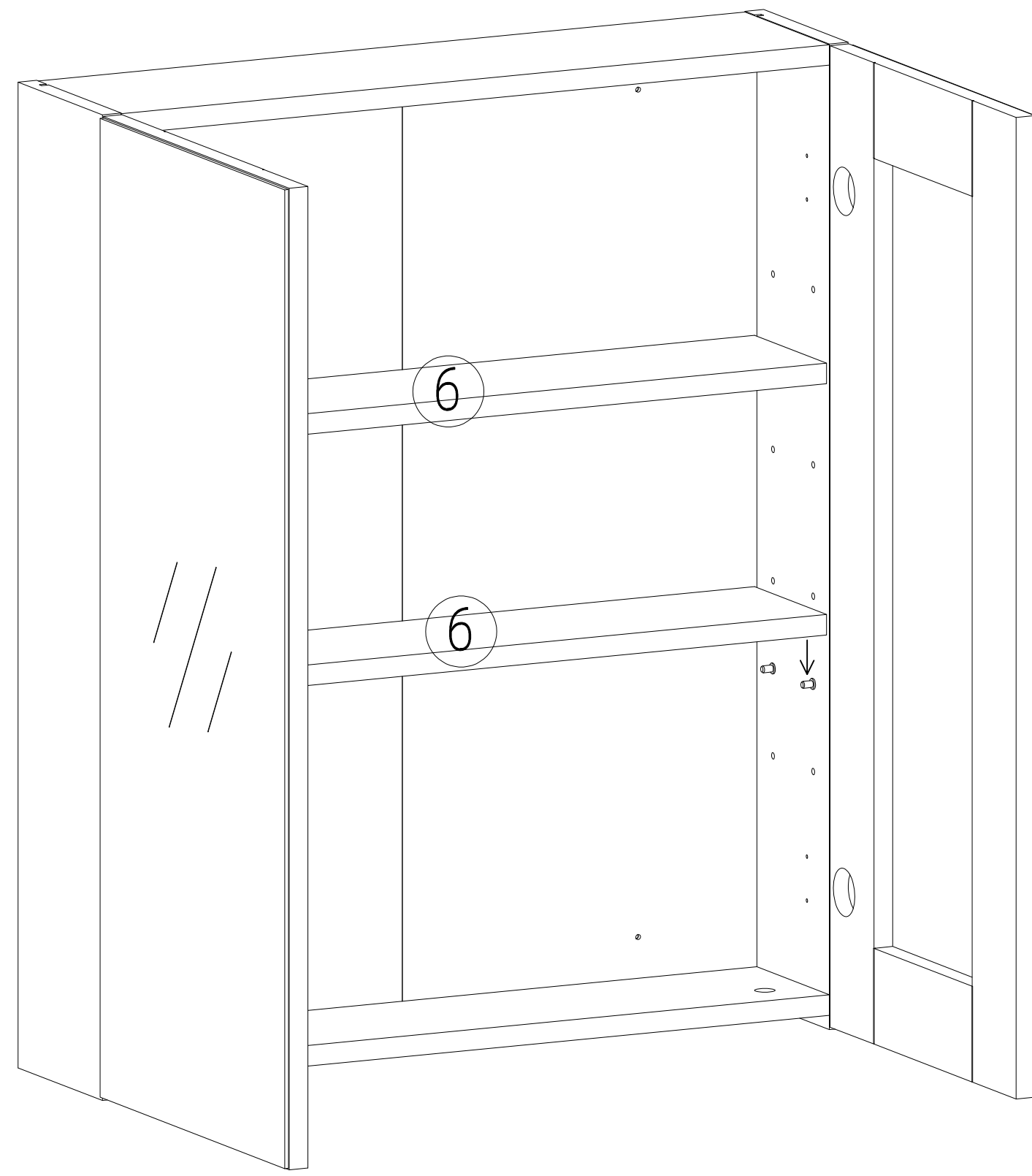
8

H x 8 PCS

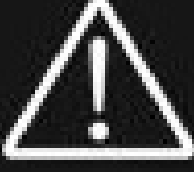





8



9

 WARNING	
	<p>Children have been killed by furniture tip-overs. To reduce the risk of such hazards, please observe the following:</p> <ul style="list-style-type: none">• Always install an anti-tipping device and restraint provided.• Never allow children to stand, climb or hang on drawers, doors or shelves.• Never open more than one drawer at a time.• Place the heaviest items on the lowest shelves or drawers.
