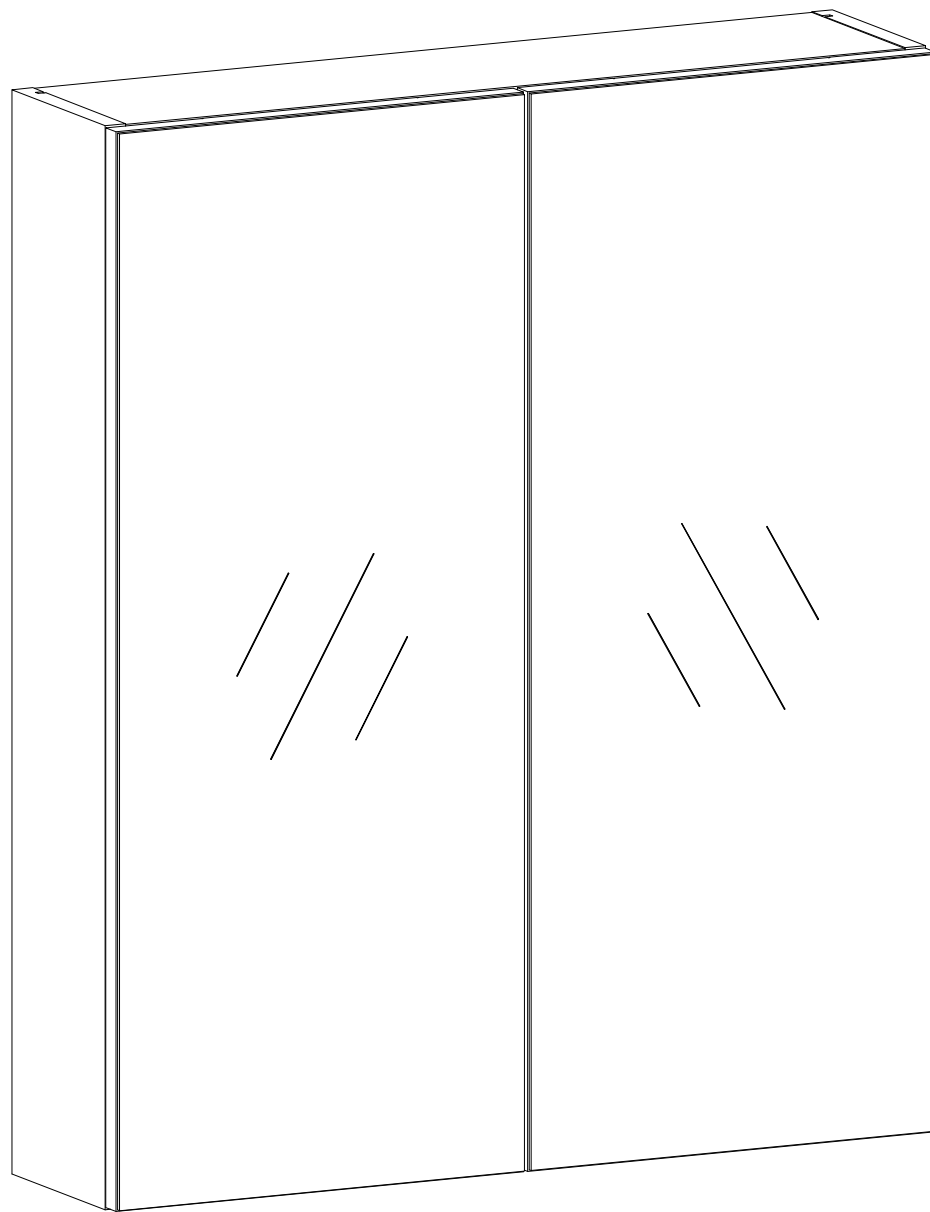




Bathroom Cabinet

Name: ST-BD-MR60-WH

Size: 600×150×720 mm



Hardware

A × 8 PCS
Φ6×40mm



B × 8 PCS
Φ15×11mm



C × 8 PCS
Φ8×40mm



E × 24 PCS
ST3.5*14



F × 4 PCS
ST4*80



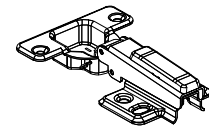
G × 4 PCS
Φ6×60mm



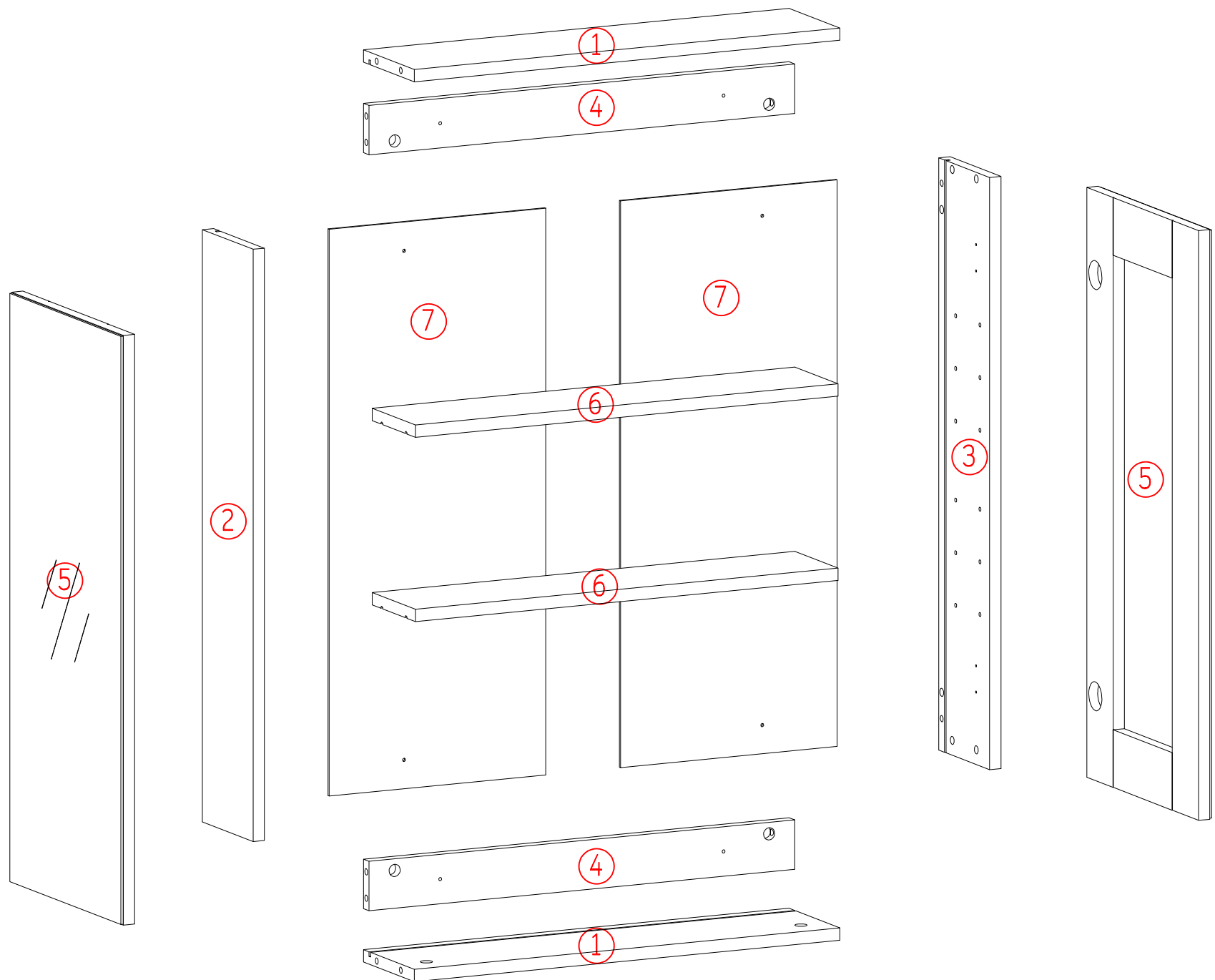
H × 8 PCS



J × 4 PCS



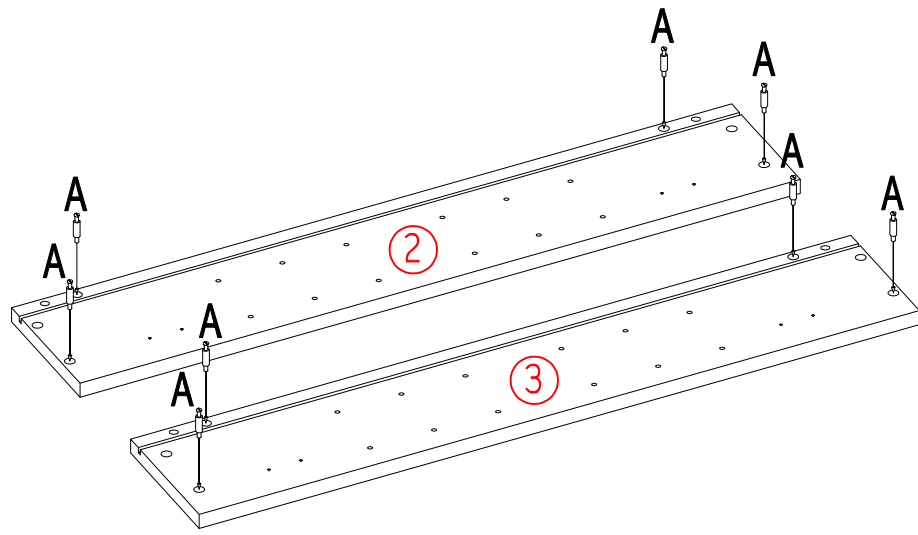
Exploded view





1

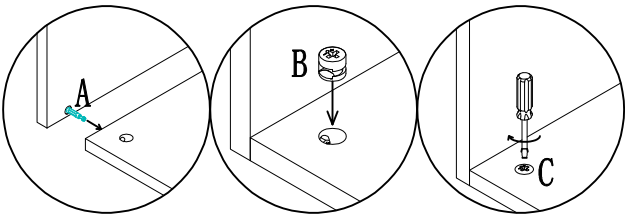
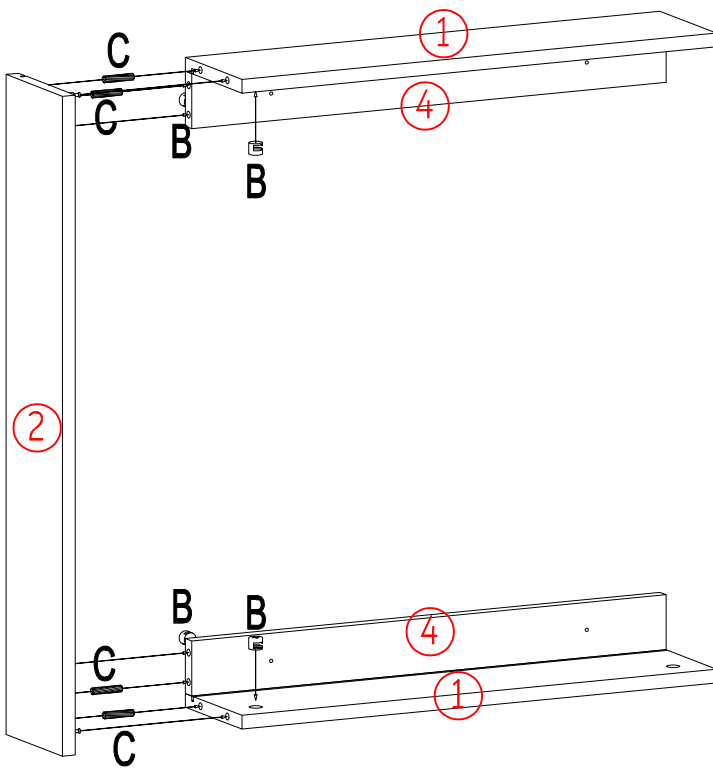
A x 8 PCS



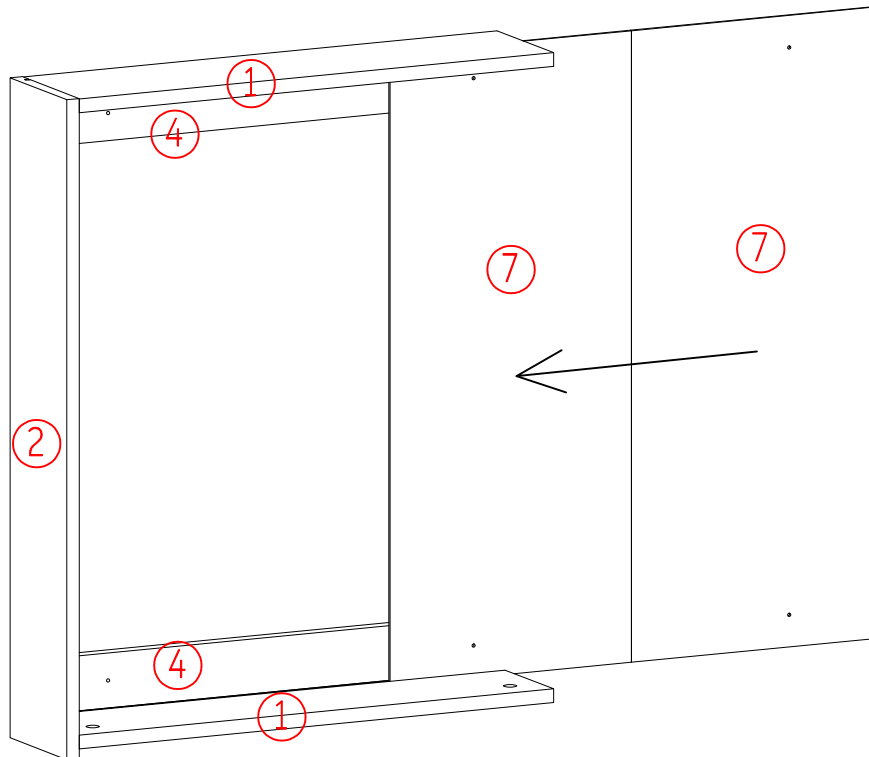
2

B x 4 PCS

C x 4 PCS



3



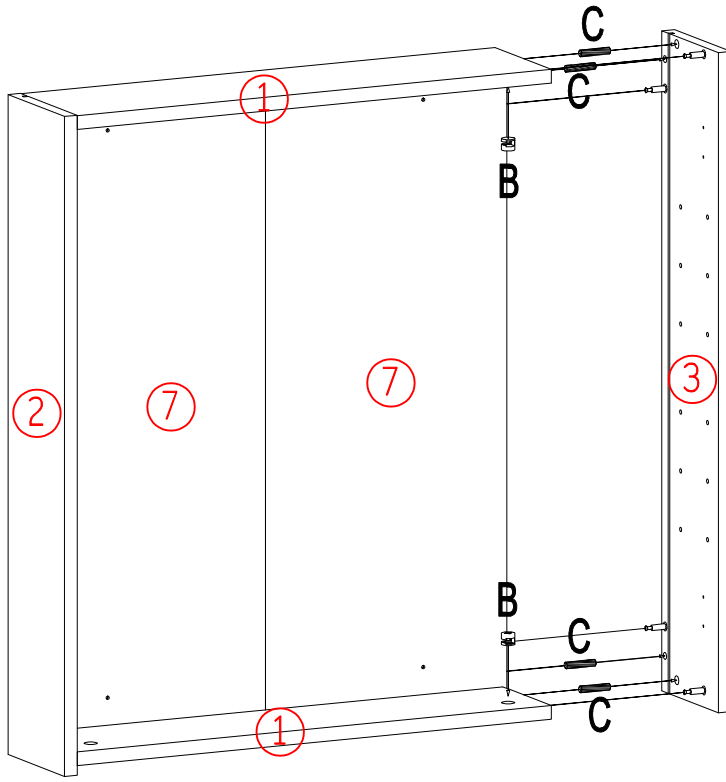


4

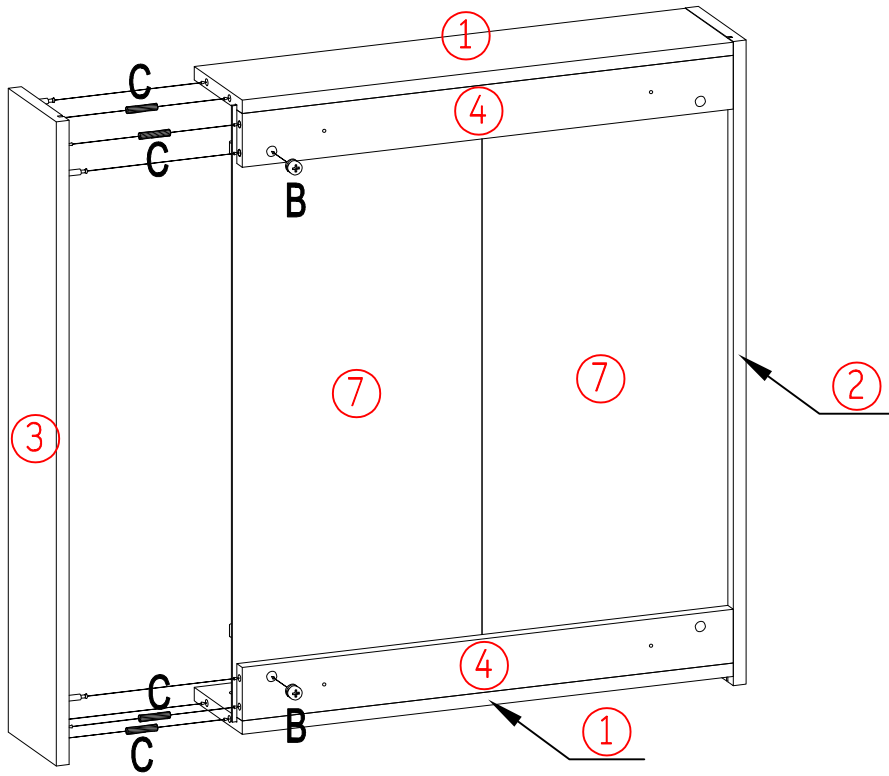
Front view

B × 4 PCS

C × 4 PCS



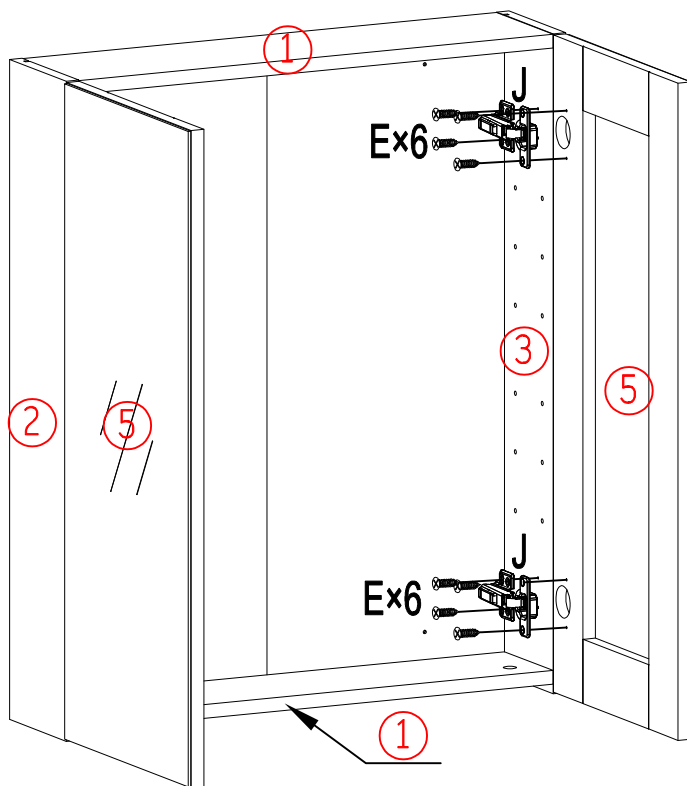
Back view



5

E × 24 PCS

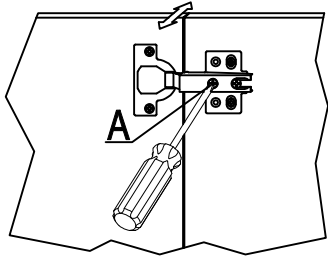
J × 4 PCS



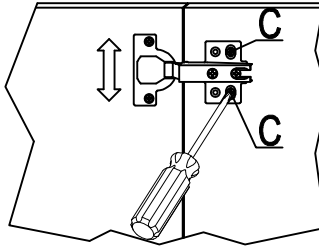
6

Hinge Adjustment

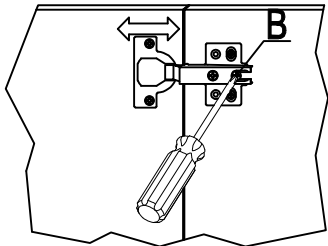
If the doors do not appear square or aligned, loosen or tighten the appropriate screws on each case hinge as illustrated.



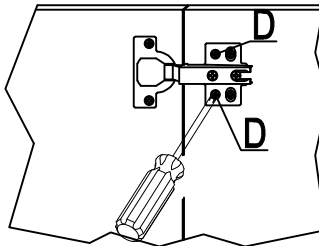
1) Side to side adjustment: Adjust the clearance between door and cabinet by turning screw A.



3) Height adjustment: Loosen screw C, adjust door height and lock screw C.



2) Depth adjustment: Loosen screw B, push hinge arm forwards or backwards, and then lock screw B.

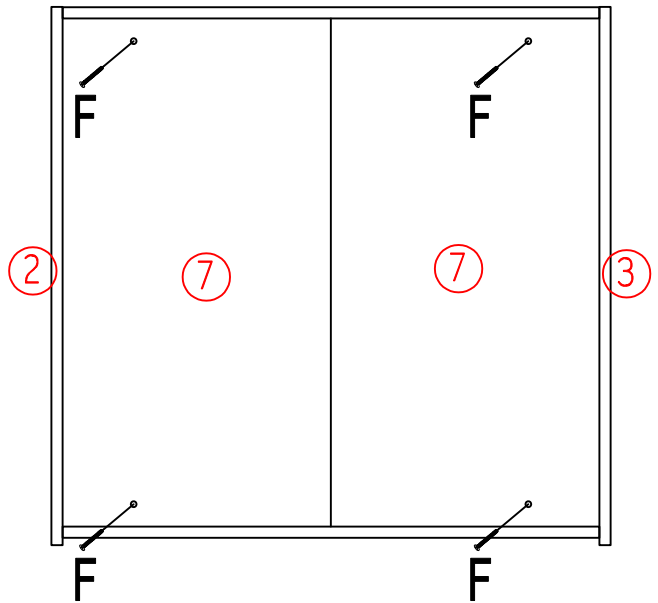
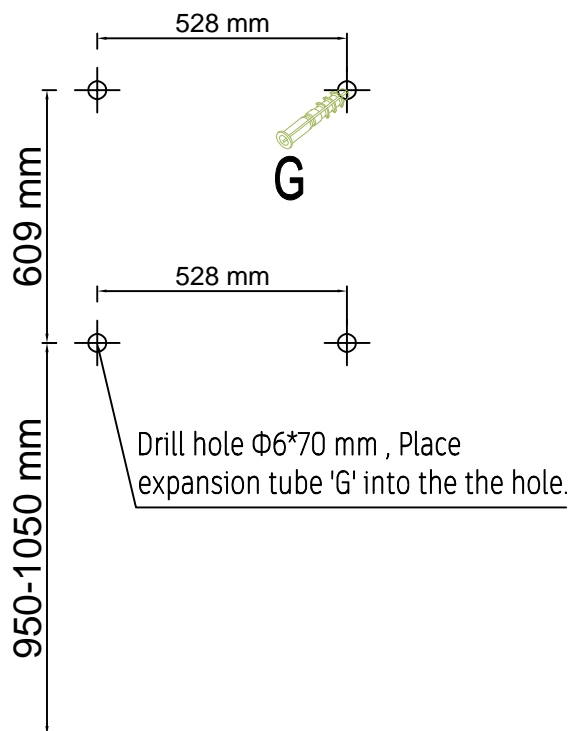


4) Fixed: After adjustment, lock screw D. Make the hinge can't move.

7

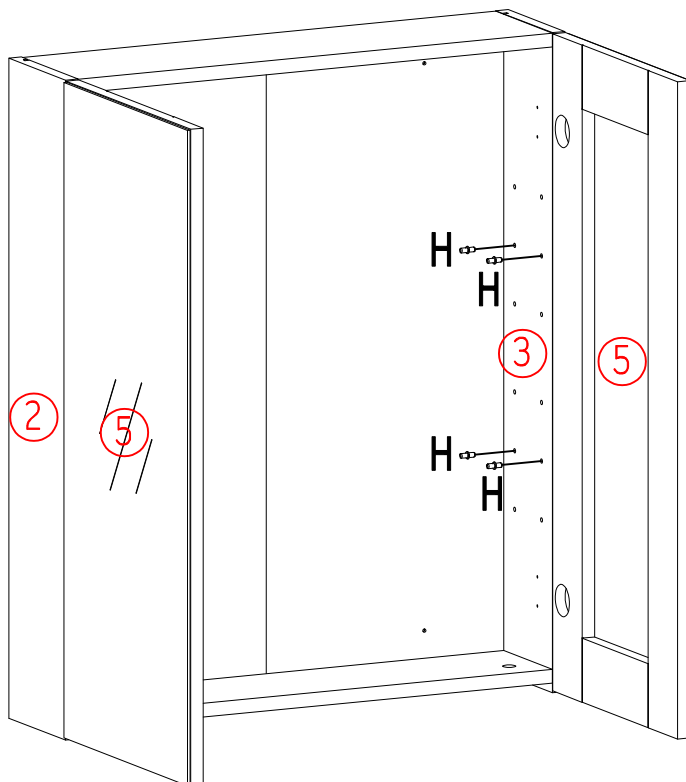
F x 4 PCS

G x 4 PCS



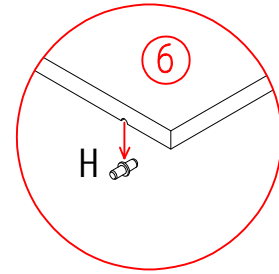
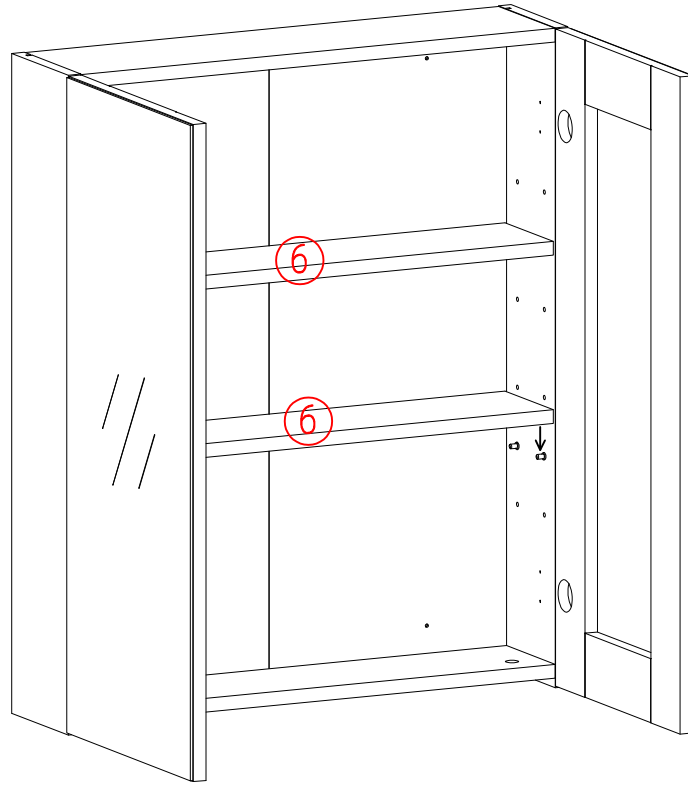
8

H x 8 PCS





8



9

|  WARNING | |
|--|---|
|  | <p>Children have been killed by furniture tip-overs. To reduce the risk of such hazards, please observe the following:</p> <ul style="list-style-type: none">• Always install an anti-tipping device and restraint provided.• Never allow children to stand, climb or hang on drawers, doors or shelves.• Never open more than one drawer at a time.• Place the heaviest items on the lowest shelves or drawers. |
|  | |