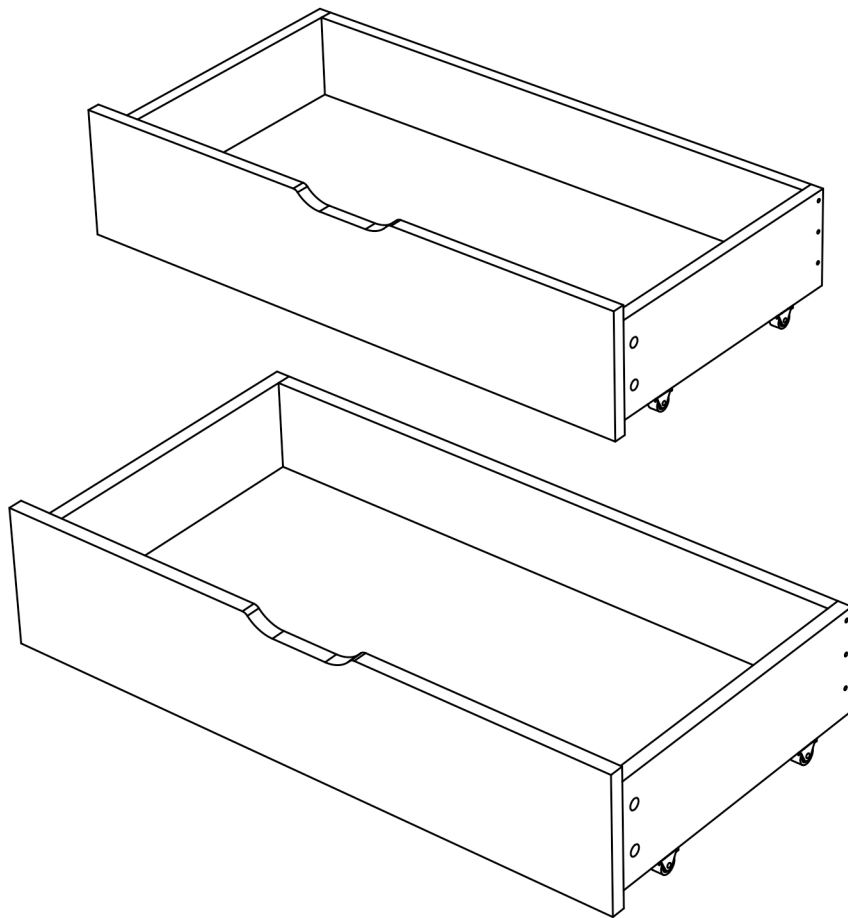




WOODEN BED FRAME DRAWERS
MODEL: BF-W-B-2DRAW-WD



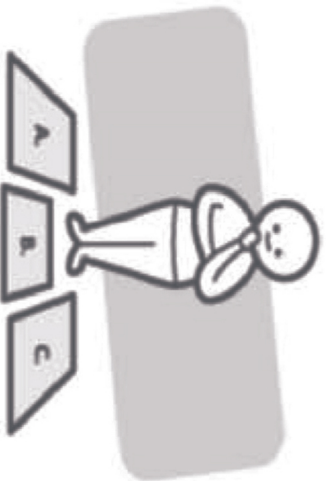
ASSEMBLY INSTRUCTIONS

Please read the instructions carefully
before assembling and using the product.

ASSEMBLY CHECKLIST



Read through the instructions carefully before starting assembly.



Identify and lay out all parts to familiarise yourself with them.



Make sure that you have the required tools. Do not use power tools.

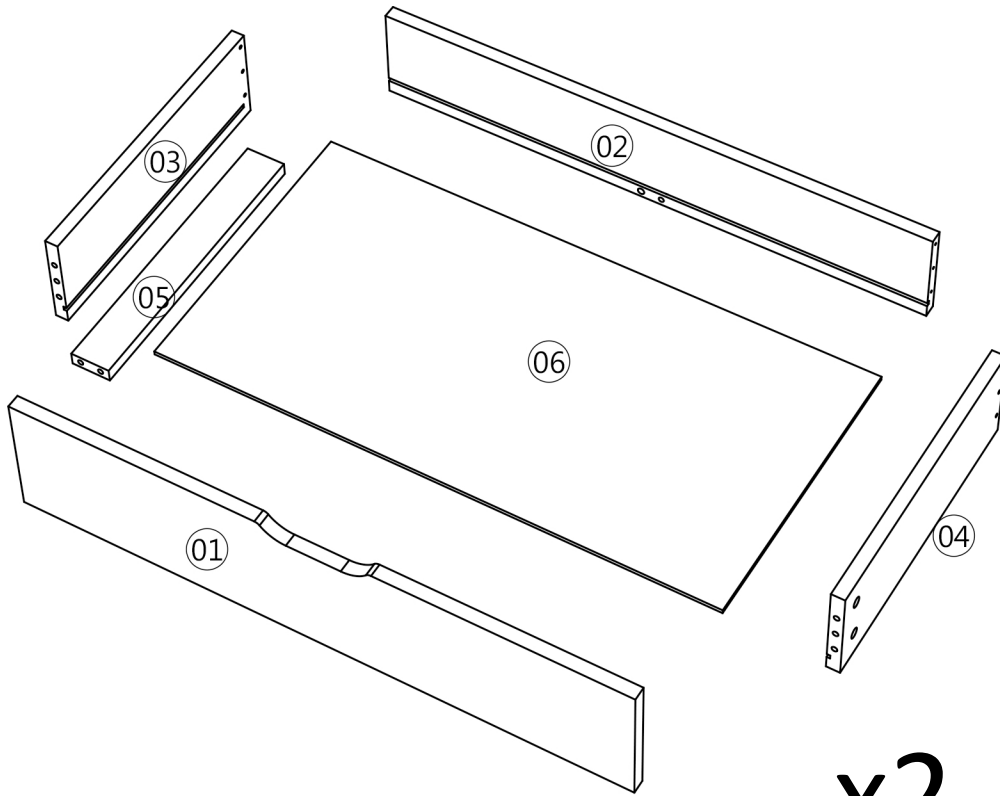


Do not fully tighten all screws until the step or process has been completed.

USEFUL INFORMATION

1. Never use power tools for assembly. They can damage the components or hardware if used incorrectly.
2. The most common mistakes made during assembly are using the wrong hardware or getting components from back to front.
3. Always assemble the product on a soft surface such as a carpet or cardboard to avoid scratching or damaging the surface of the product.

PARTS



x2
Two sets

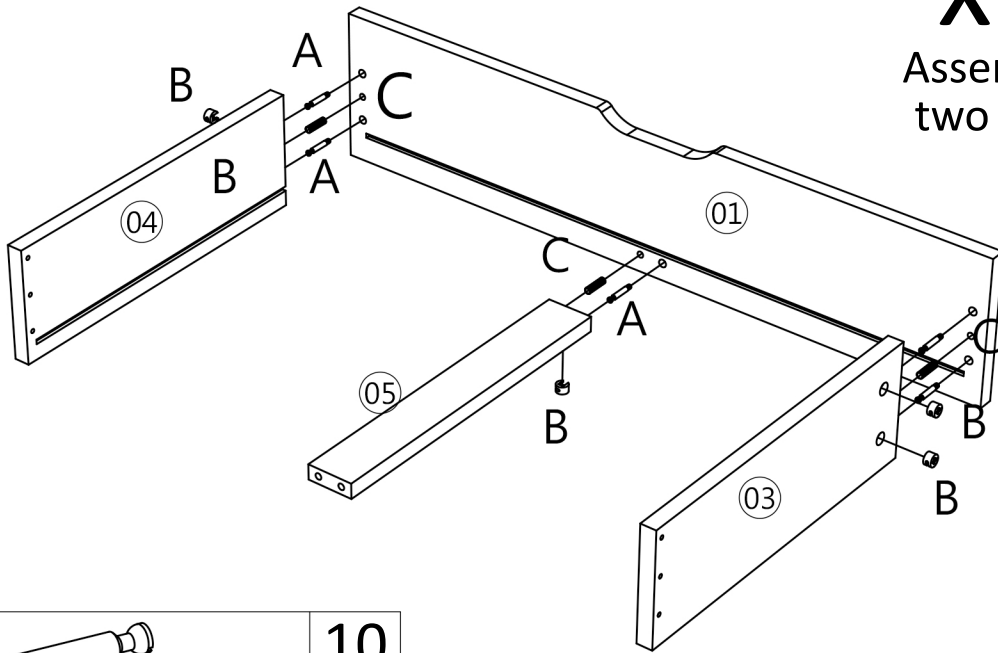
HARDWARE




A		12 pcs
B		12 pcs
C	M8x30mm	8 pcs

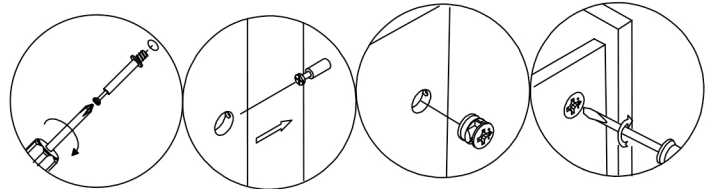
E	Ø4x30mm	12 pcs
F		8 pcs
G	Ø3x16mm	16 pcs

1

x2
Assemble
two sets

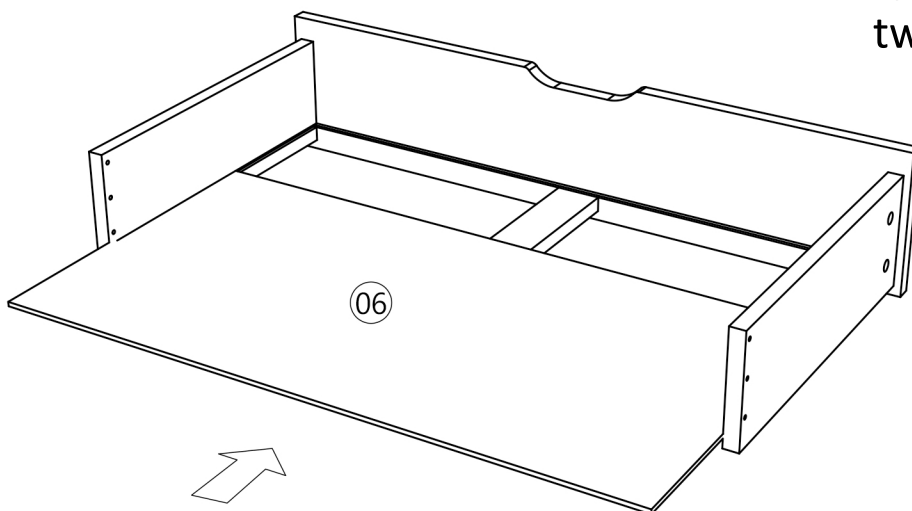


A		10 pcs
B		10 pcs
C	 M8x30mm	6 pcs



2

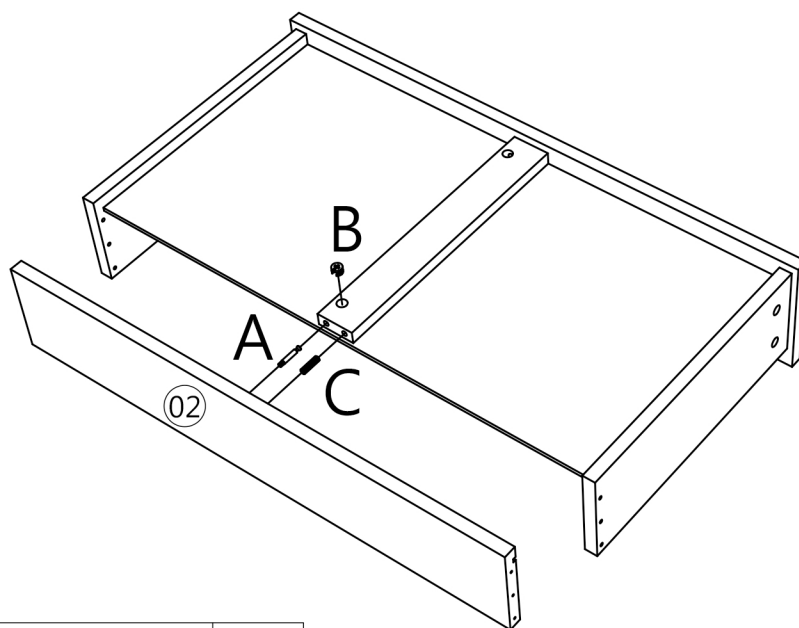
x2
Assemble
two sets






3

x2

Assemble
two sets

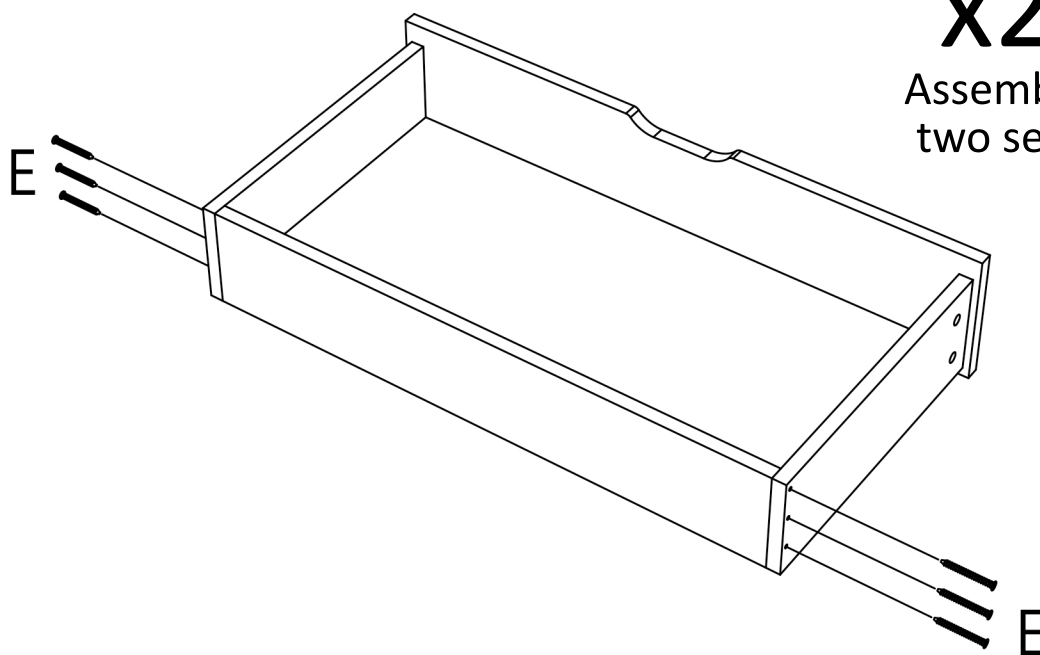



A		2 pcs
B		2 pcs
C	 M8x30mm	2 pcs

4

x2

Assemble
two sets

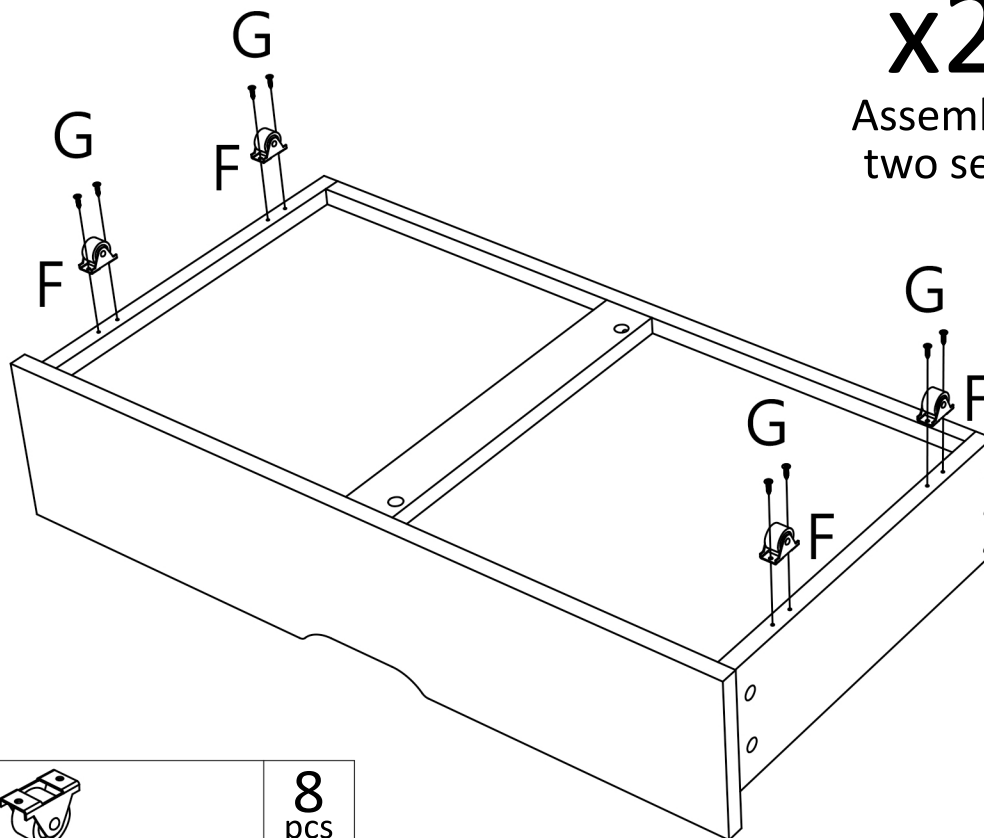




E	 Ø4x30mm	12 pcs
---	---	-----------

5

x2

Assemble
two sets



F		8 pcs
G	 Ø3x16mm	16 pcs

