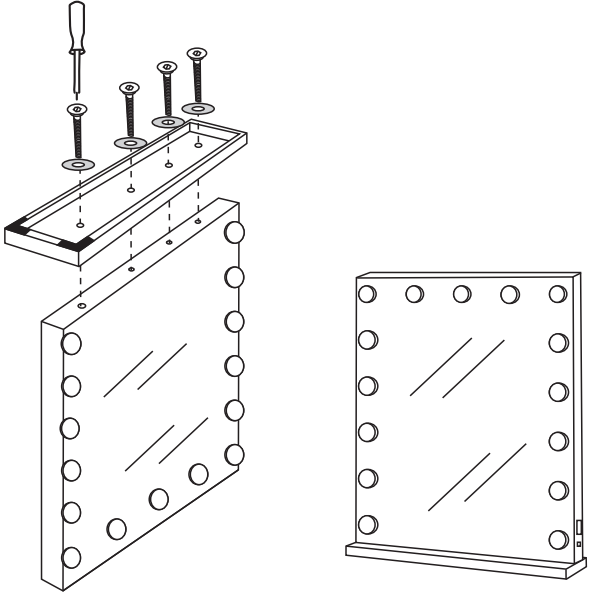
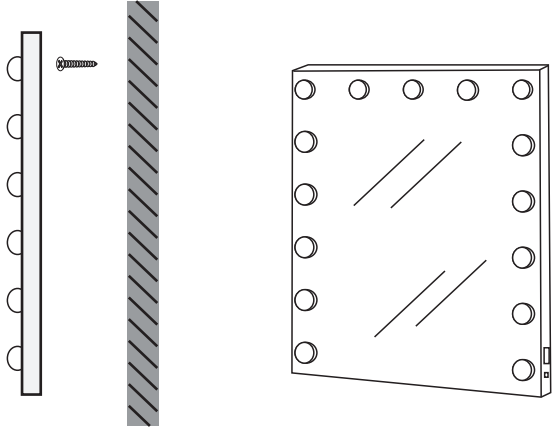


INSTALLATION 1



1. Align the holes in the mirror base and bottom, then tighten the screws.
2. Installation is complete.

INSTALLATION 2



When hanging a mirror onto the wall, please use a screw driver to drive screw to the wall. As the figure shown as follows, then hang the mirror on the wall.

INSTRUCTIONS



Press the button "M" choose the correct light color.



Touch one time for turning on light; touch again for turning off light.



Long press "P" button to change brightness.

PART LIST

A 1PC	B 1PC	C 1PC	
D 1PC	E 1PC	F 1PC	
G 2PC	H 2PC	I 4PC	J 4PC