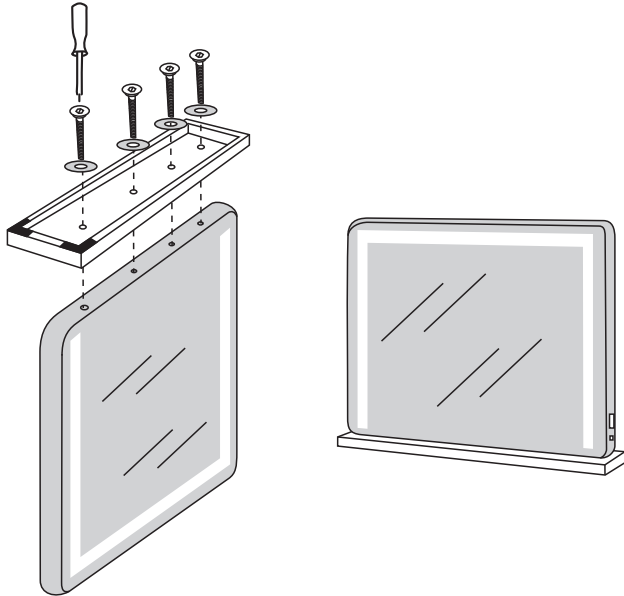
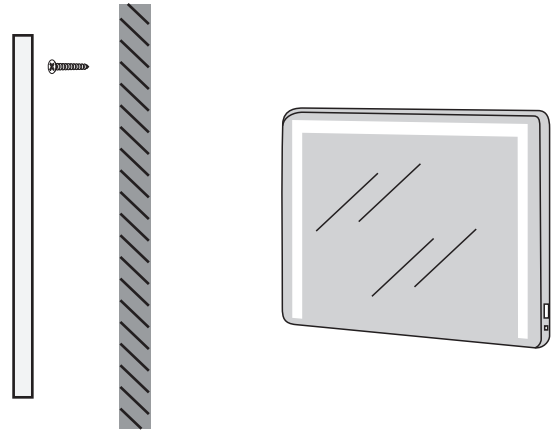


## INSTALLATION 1



1. Align the holes in the mirror base and bottom, then tighten the screws.
2. Installation is complete.

## INSTALLATION 2



When hanging a mirror onto the wall, please use a screw driver to drive screw to the wall. As the figure shown as follows, then hang the mirror on the wall.

## INSTRUCTIONS



Press the left button to play the previous song, long press the left button to increase the volume.



Press the right button to play the next song, long press the right button to decrease the volume.



Press the Bluetooth button to pause/play the music. Long press to connect/disconnect the Bluetooth.



Press the button to choose the correct light color , long press button to change brightness. After 15 seconds, press the light button to turn off the light directly and then press the light button again to turn on the light , with memory function.

## PART LIST

