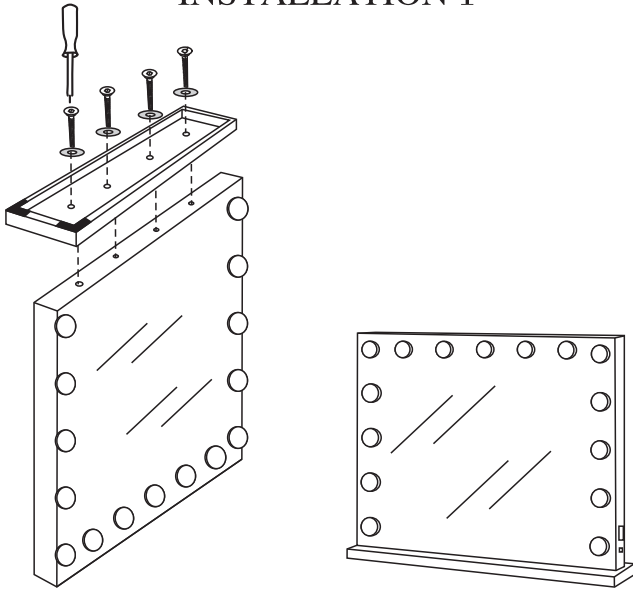
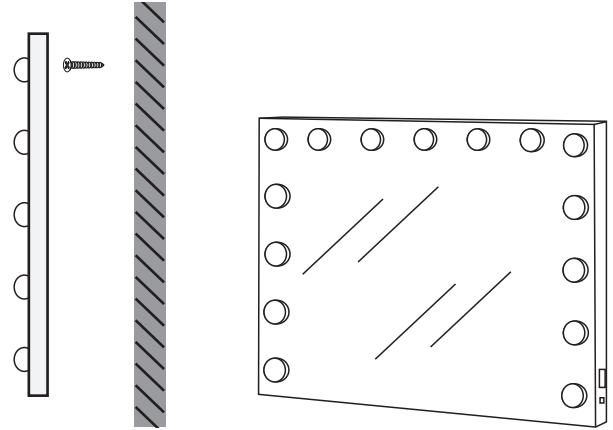


INSTALLATION 1



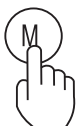
1. Align the holes in the mirror base and bottom, then tighten the screws.
2. Installation is complete.

INSTALLATION 2



When hanging a mirror onto the wall, please use a screw driver to drive screw to the wall. As the figure shown as follows, then hang the mirror on the wall.

INSTRUCTIONS



Cold White
Warm White
Warm Yellow

Press the button "M" choose the correct light color.



ON/OFF

Touch one time for turning on light;
touch again for turning off light.



Dimmable Light

Long press "P" button to change brightness.

PART LIST

