



WOODEN TABLE AND CHAIRS

MODEL: DIN-RONI-SET5-WHWD



ASSEMBLY INSTRUCTIONS

Please read the instructions carefully
before assembling and using the product

ASSEMBLY CHECKLIST



Read through the instructions carefully before starting assembly.



Identify and lay out all parts to familiarise yourself with them.



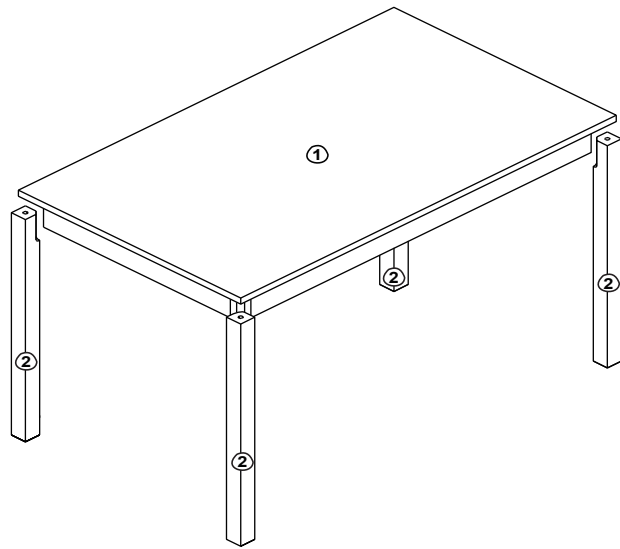
Make sure that you have the required tools. Do not use power tools.


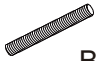






Do not fully tighten all screws until the step or process has been completed.

USEFUL INFORMATION

1. Never use power tools for assembly. They can damage the components or hardware if used incorrectly.
2. The most common mistakes made during assembly are using the wrong hardware or getting components from back to front.
3. Always assemble the product on a soft surface such as a carpet or cardboard to avoid scratching or damaging the surface of the product.

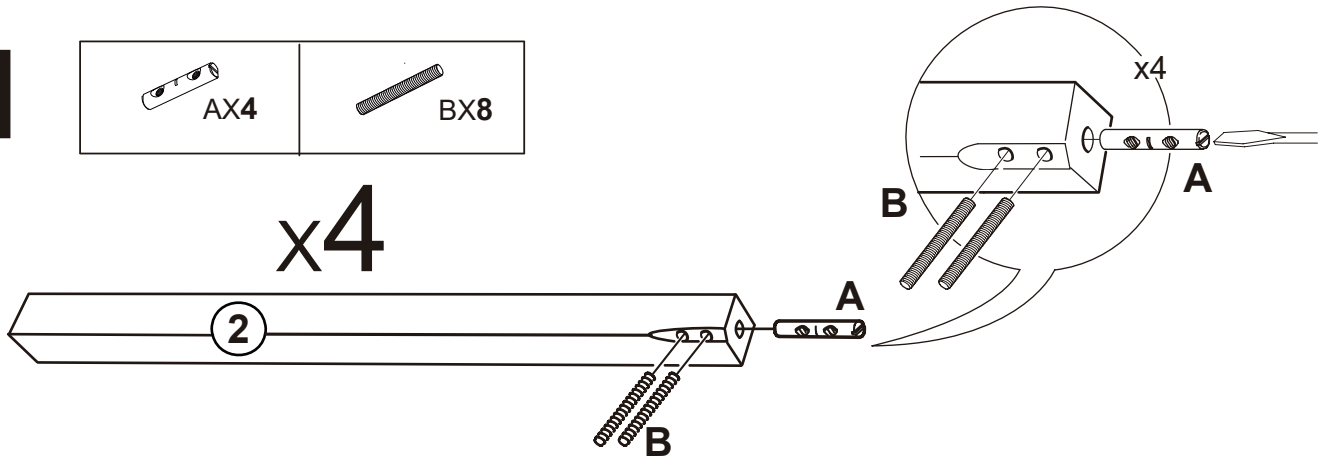


 AX4	 M8x56mm BX8	 Φ8 CX8	 M8 DX8	 M13 IX1	 30x30mm Floor protectors JX4
--	---	--	--	---	---

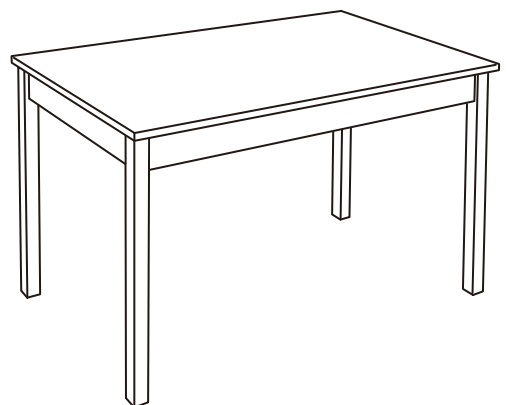
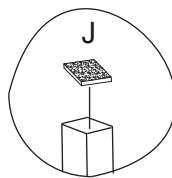
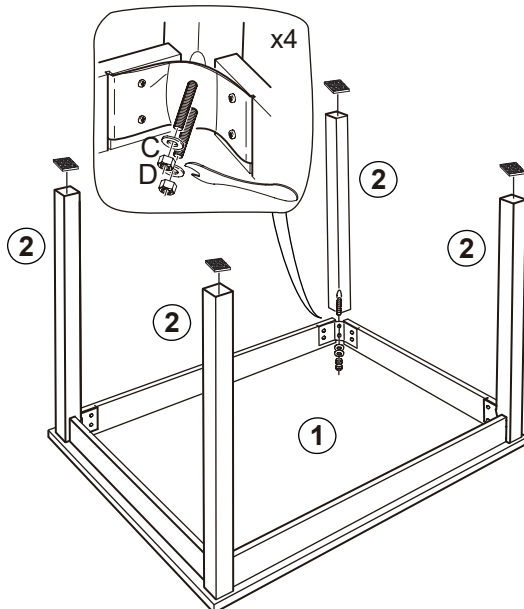
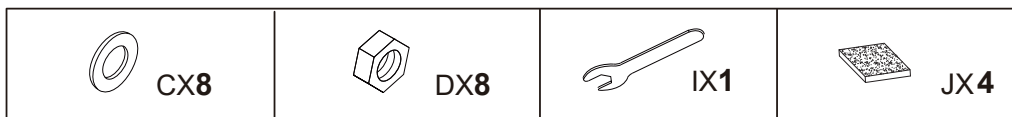
1

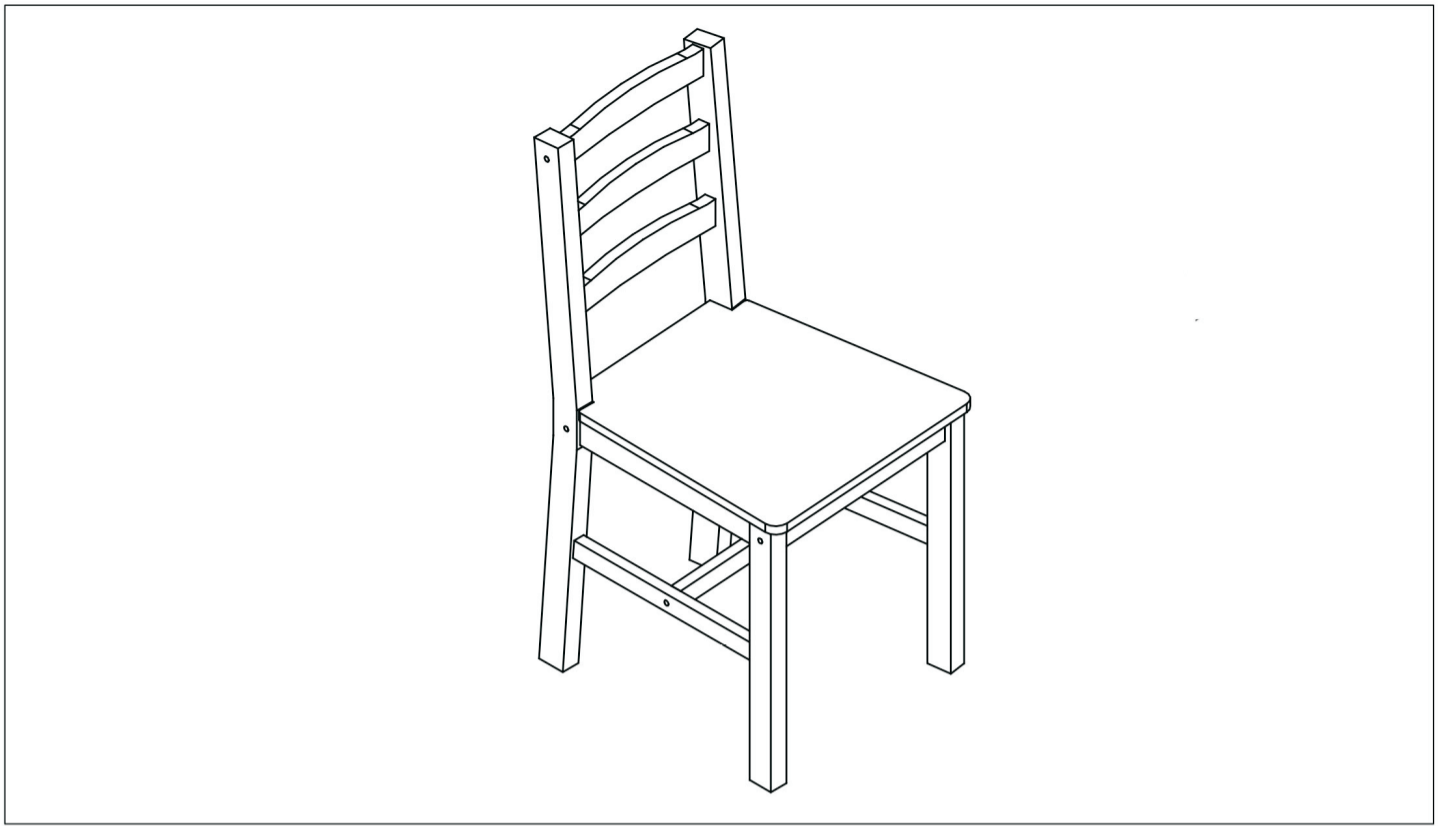


x4



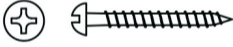




2

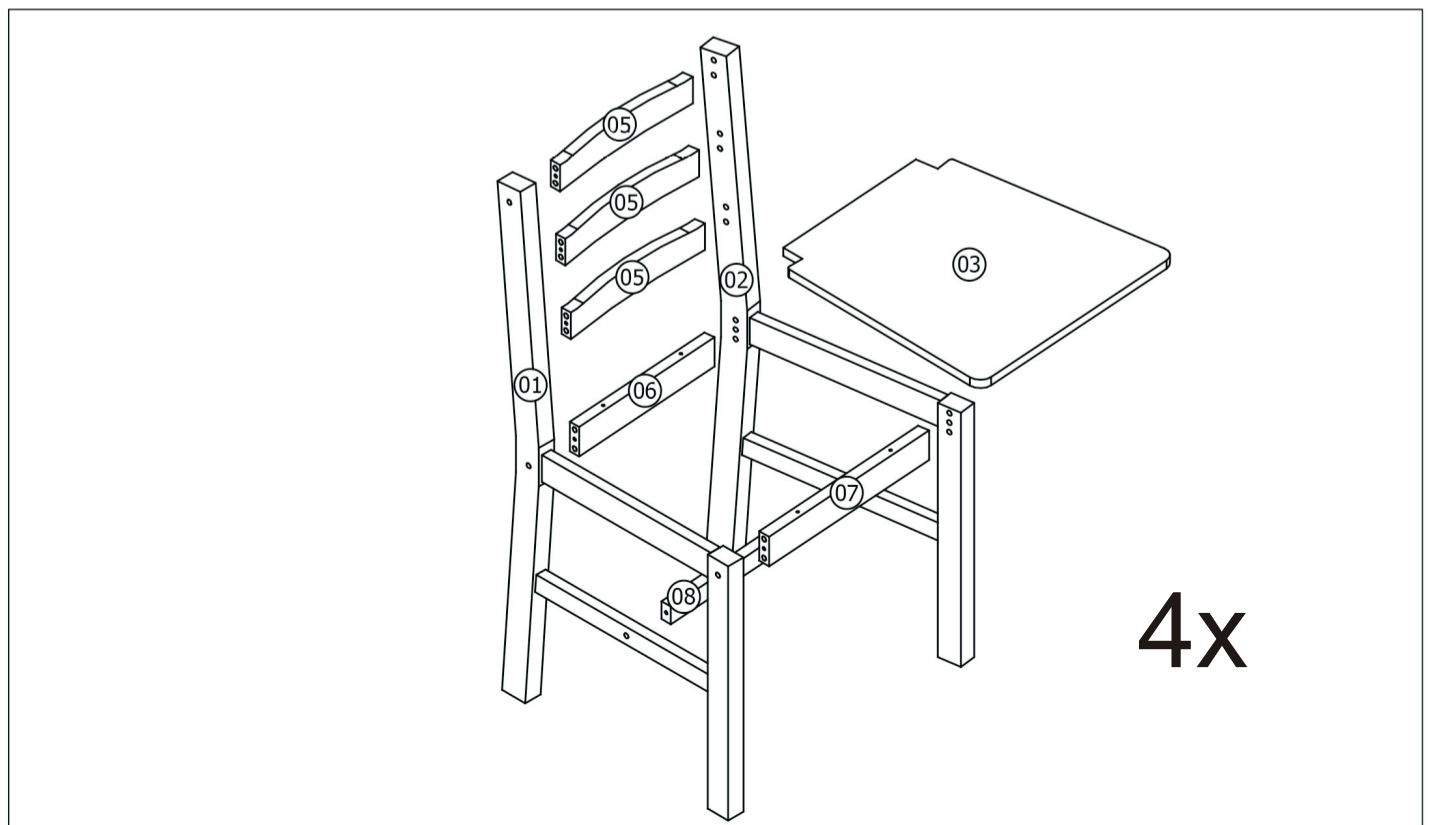




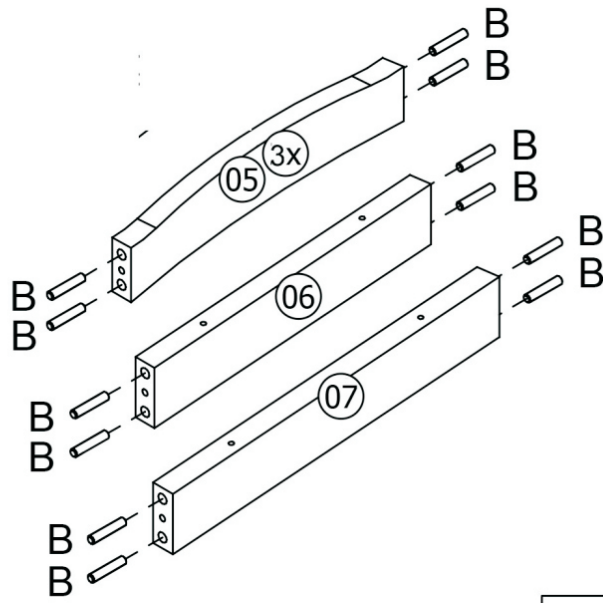
HARDWARE

A	 $\Phi 7 \times 60 \text{mm}$	32
B	 $\Phi 8 \times 30 \text{mm}$	80
C	 $\Phi 4 \times 50 \text{mm}$	16


D	 4mm	01
E	Floor protectors  20x20mm	16



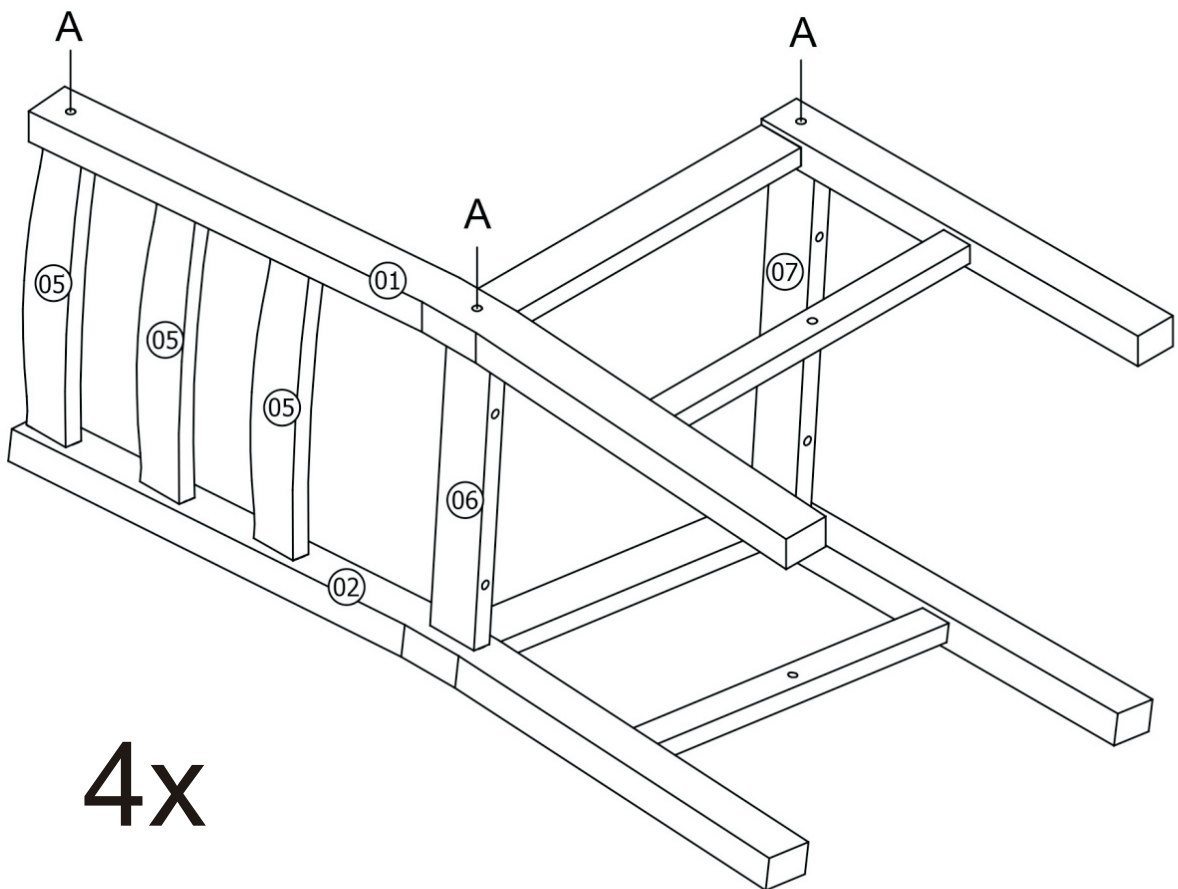
01





4x

B		80
---	---	----

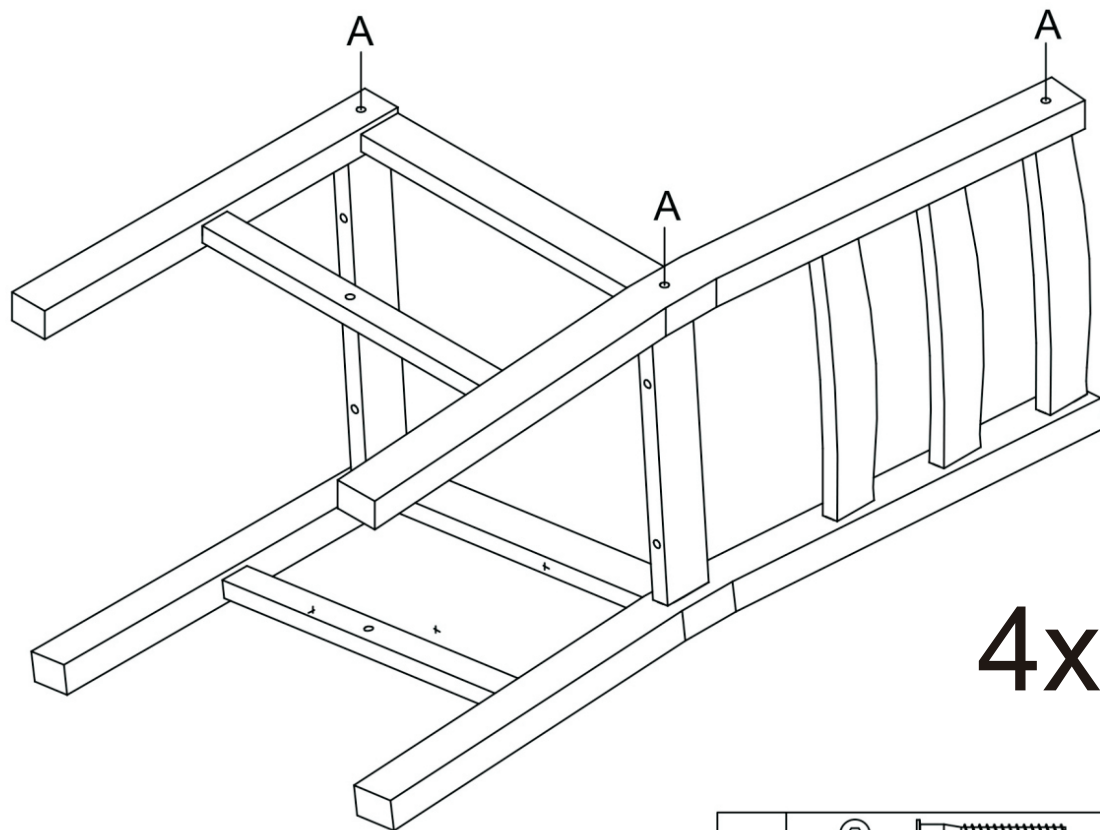
02



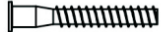
4x

A			12
---	---	---	----

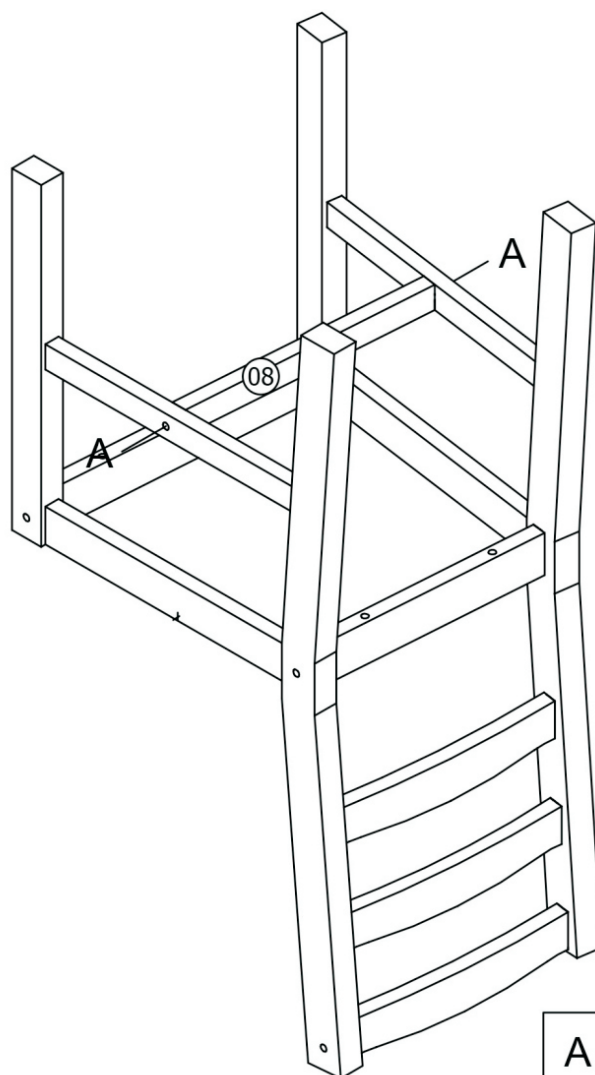
03




4x

A	⊙		12
---	---	---	----

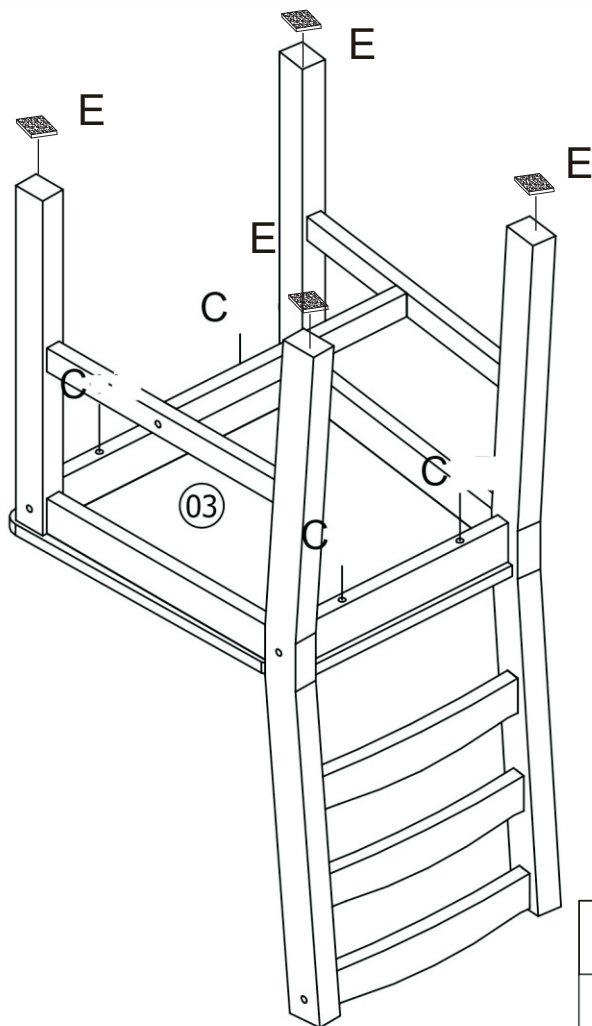
04




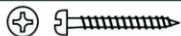
4x

A	⊙		08
---	---	---	----

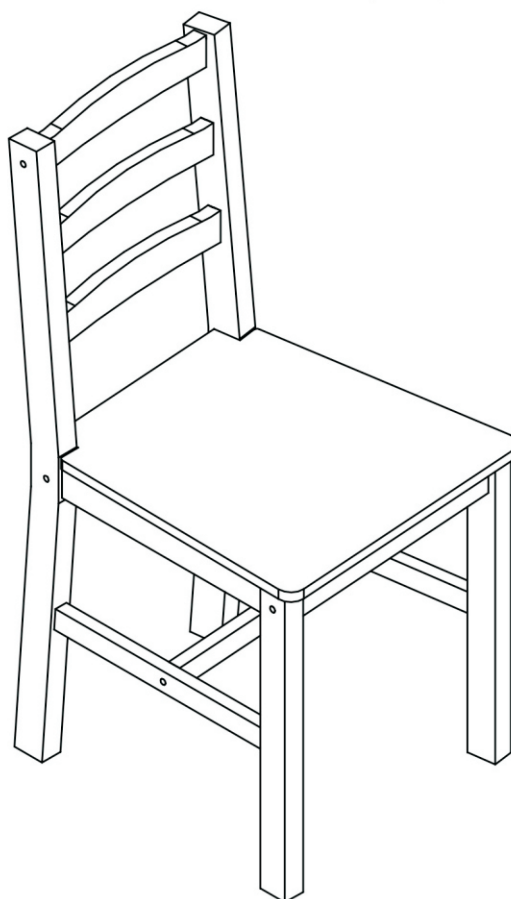
05



4x

E		16
C		16

06



4x