


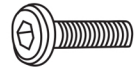





# DINING CHAIR

MODEL: DCH-AHB9-WH-2PC

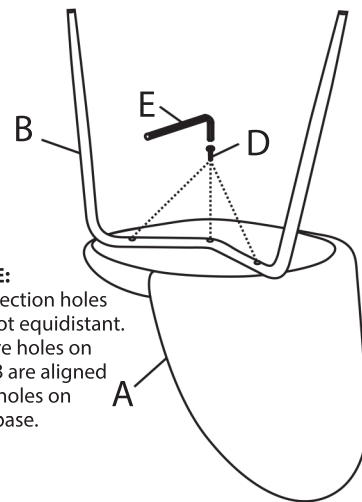
# ASSEMBLY INSTRUCTIONS

- Do not fully tighten the screws until their connections properly aligned.
- If the chair is uneven on the ground, loosen some screws, apply some pressure on the seat to ensure that all legs are in contact with the ground and then tighten the screws diagonally.
- If the chair is still uneven after the adjustments, please contact our Customer Service for assistance.

A 1pc 	D 6pcs  6x30mm
B 1pc 	E 1pc 
C 1pc 	

## STEP 1

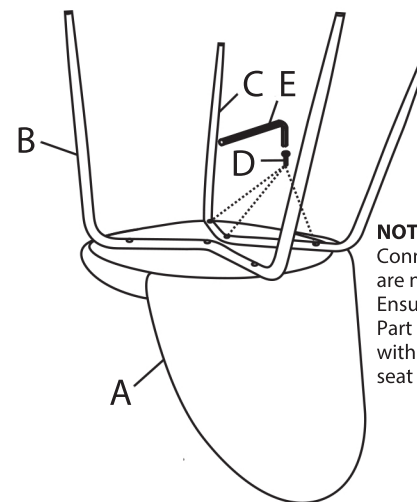
Make sure that the correct leg frame Part B is used for the first step.



**NOTE:**  
Connection holes are not equidistant. Ensure holes on Part B are aligned with holes on seat base.

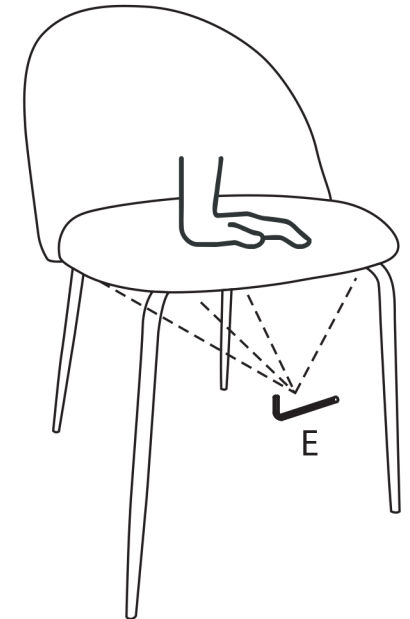
## STEP 2

Make sure that the correct leg frame Part C is used for the second step.



**NOTE:**  
Connection holes are not equidistant. Ensure holes on Part C are aligned with holes on seat base.

## LEGS ADJUSTMENTS



If the chair is uneven on the ground, loosen some screws, apply some pressure on the seat to ensure that all legs are in contact with the ground and then tighten the screws diagonally.

## WARNING

- Do not stand on the chair or use it as a stepping stool.
- Do not use the product until all screws are securely fastened.
- Do not use a sharp object to open any packaging.

**ATTENTION:** Part B and Part C are not similar or symmetrical. Please ensure that the correct part is used when aligning the leg frame holes with the seat frame holes. It is advised to dry fit the leg frames to the seat base holes to ensure correct alignment of all connections.