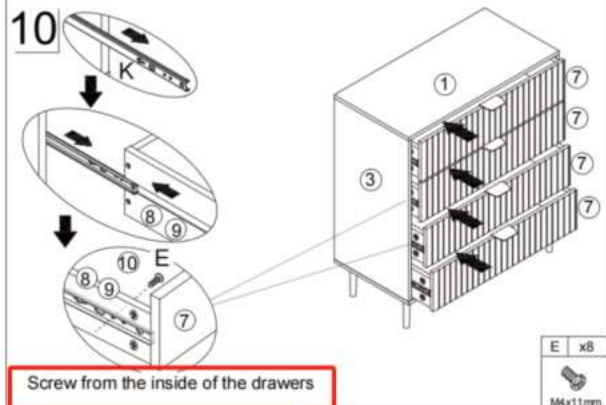
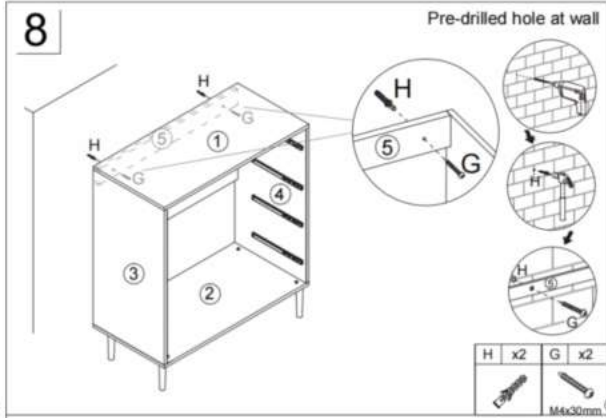


K	x8	L	x24
---	----	---	-----

M3x12mm



Screw from the inside of the drawers

E	x8
---	----

M4x11mm