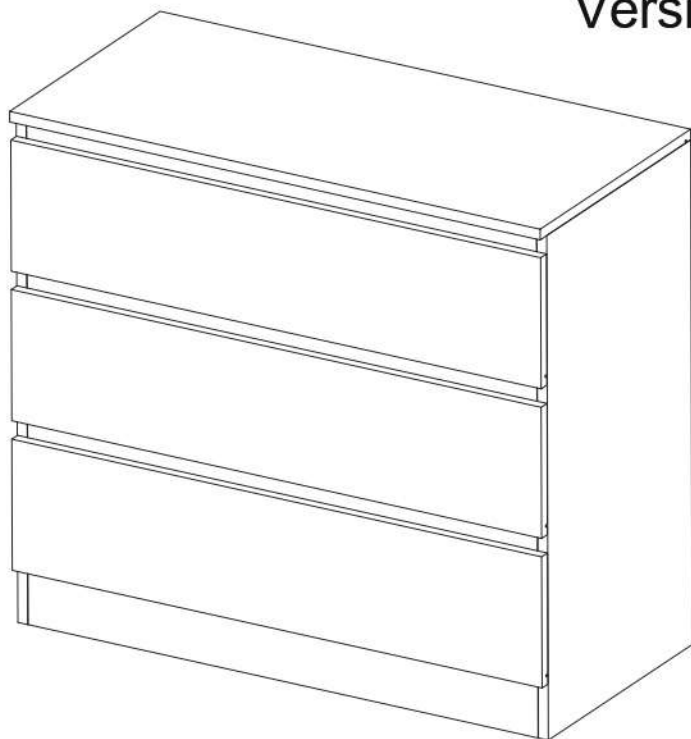


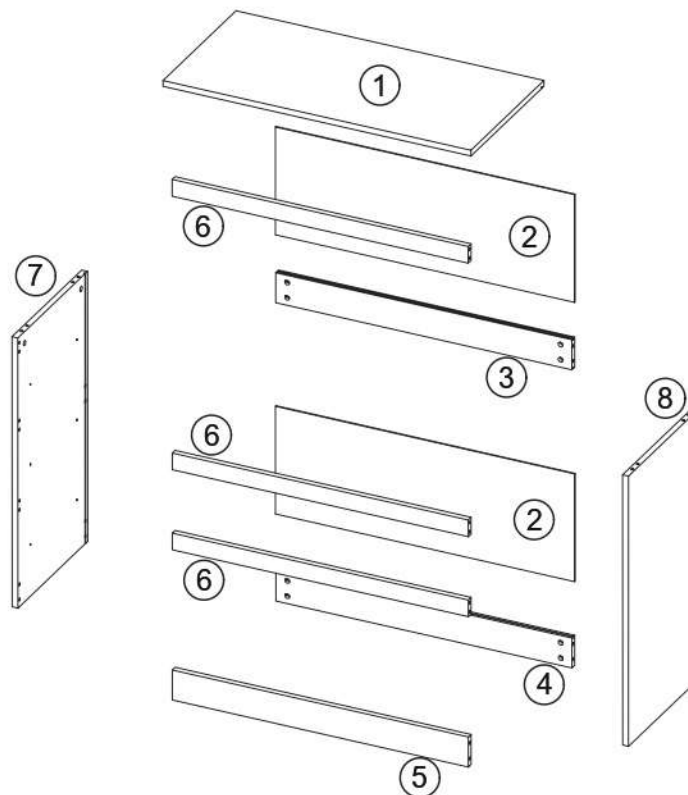
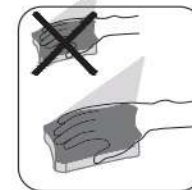
Chest of Drawer

MODEL:COD-VJ-LIZ-3D
Version : 2.0



PARTS

Wipe with dry cloths



ASSEMBLY INSTRUCTIONS

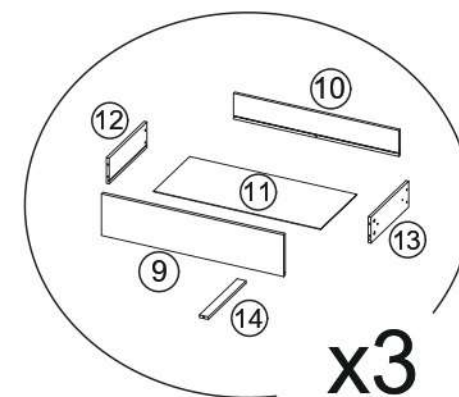
Please read instructions carefully before assembly.



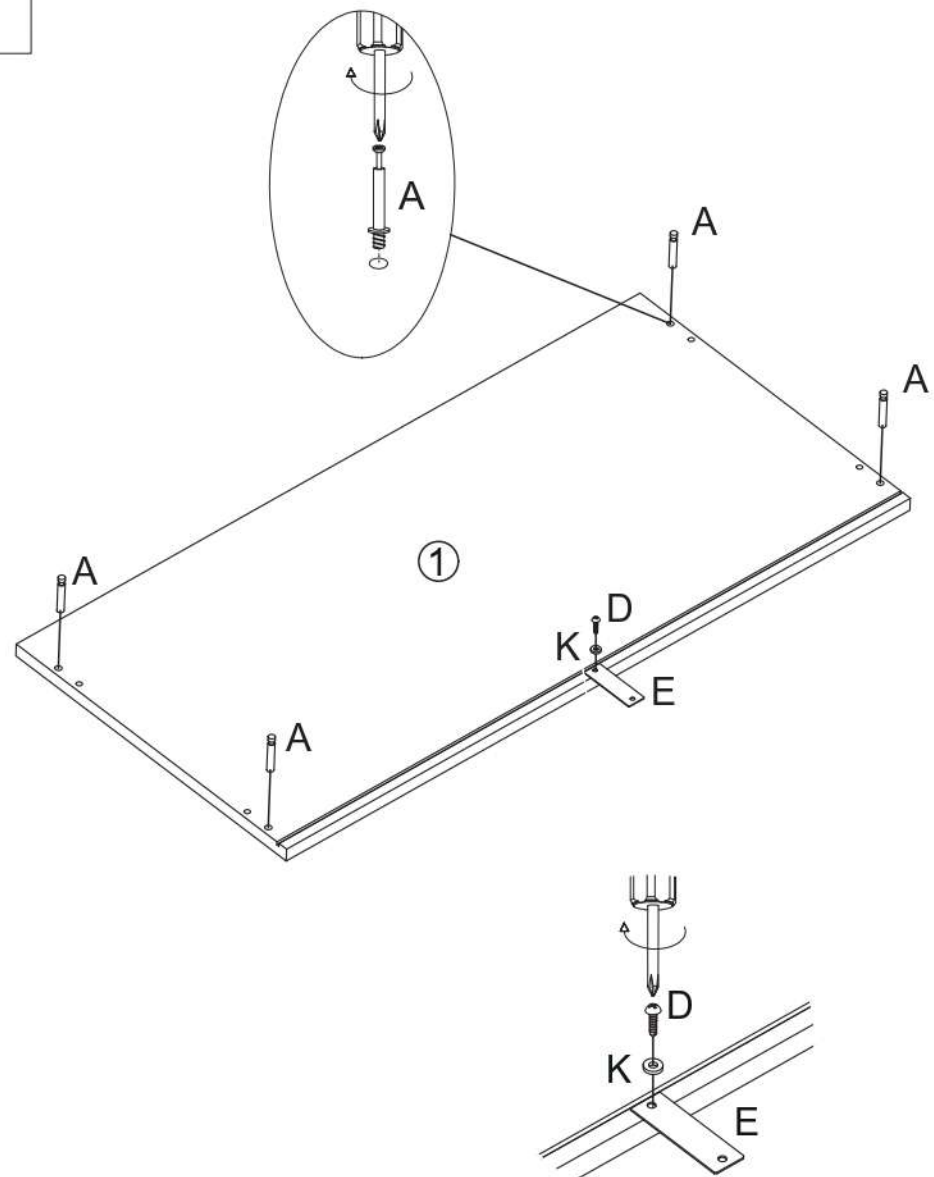
Two persons and tools required for assembly





HARDWARE

A	x37	B	x37	C	x10	D	x1	E	x1	F	x24
6x35mm		12x10mm		Ø6x30mm		M4x14mm				M3x12mm	
G1	x6	G2	x6	H	x8	I	x16	J	x1	K	x2
				M3x14mm		M4x30mm					

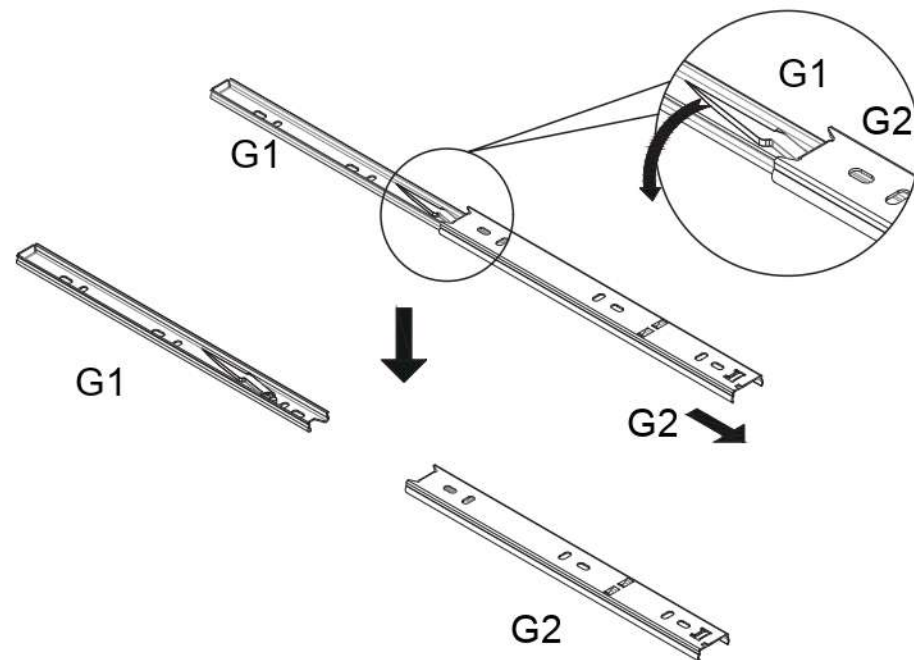


1



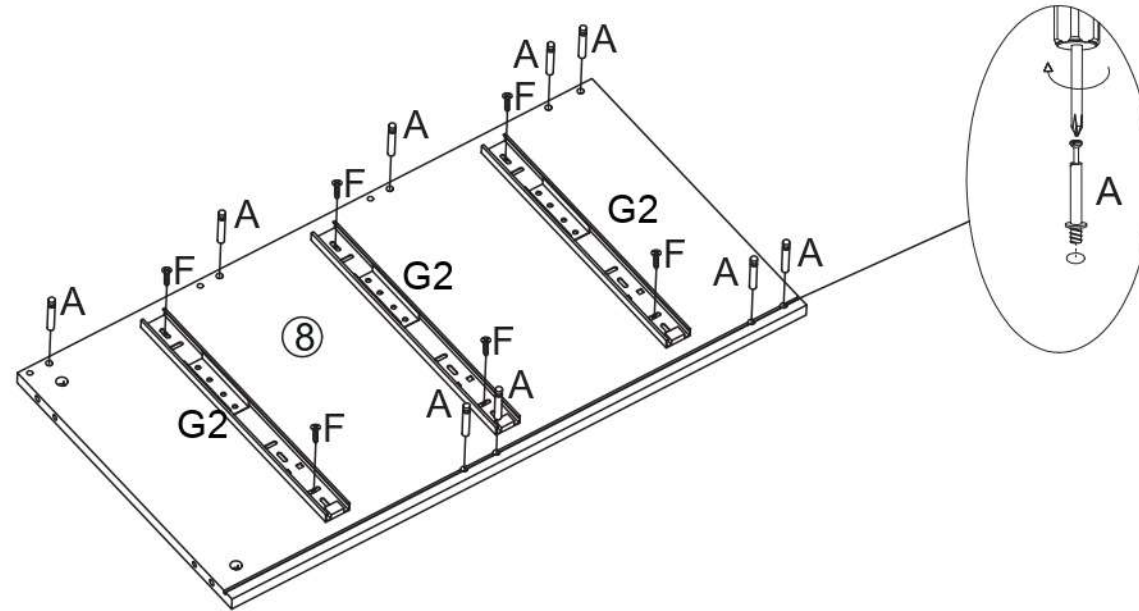
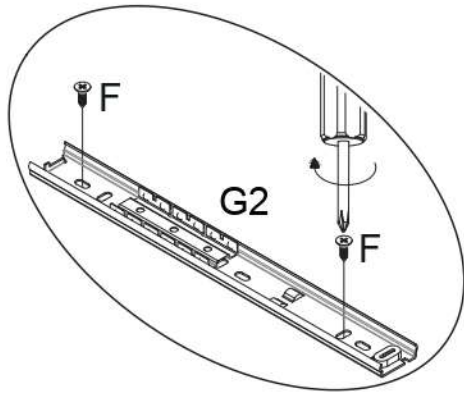
A	x4	D	x1	K	x1	E	x1
							
6x35mm		M4x14mm					




2



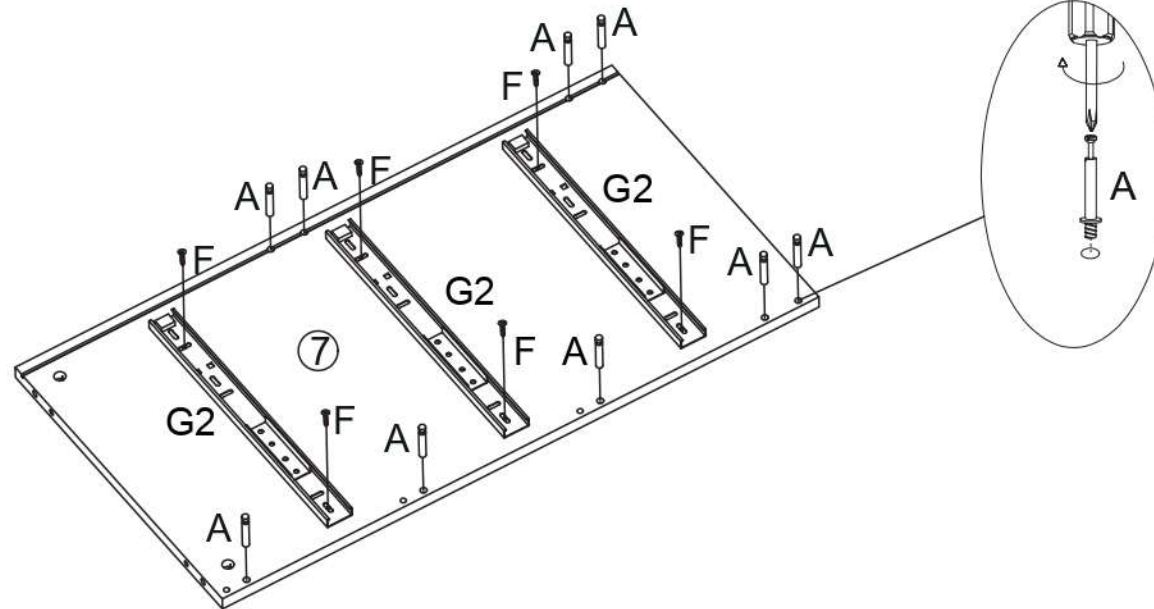
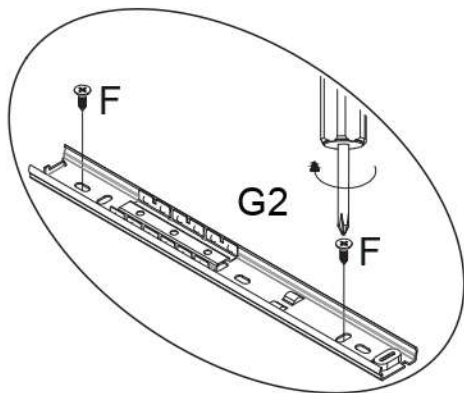
x6




3



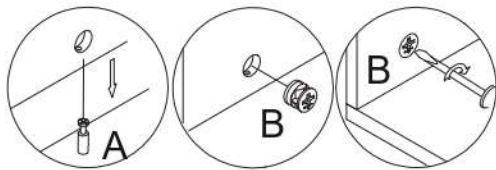
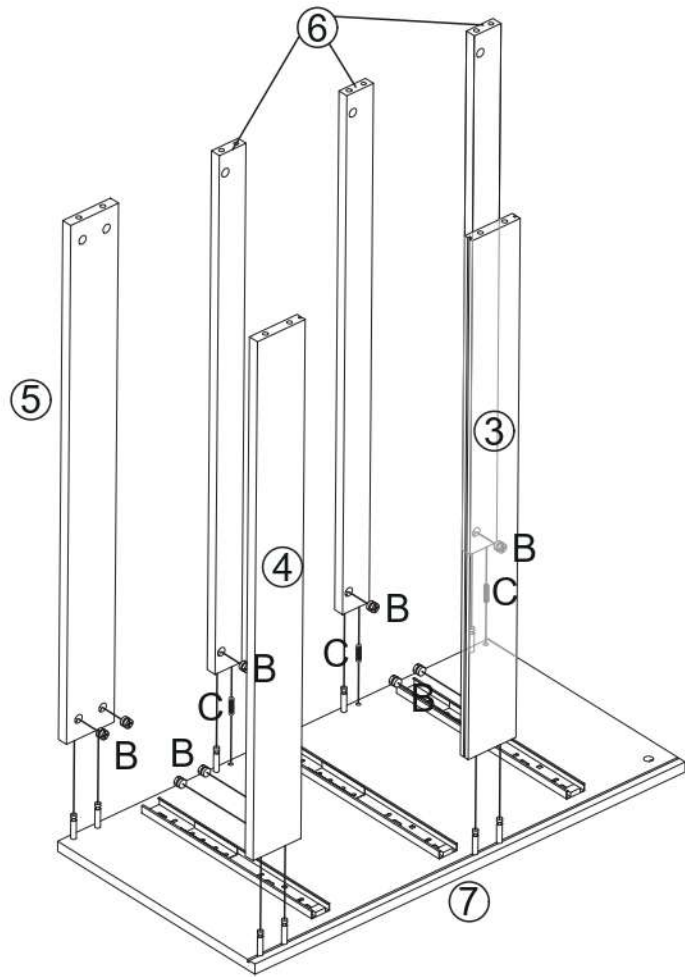
A	x9	F	x6	G2	x3
					
6x35mm		M3x12mm			



4



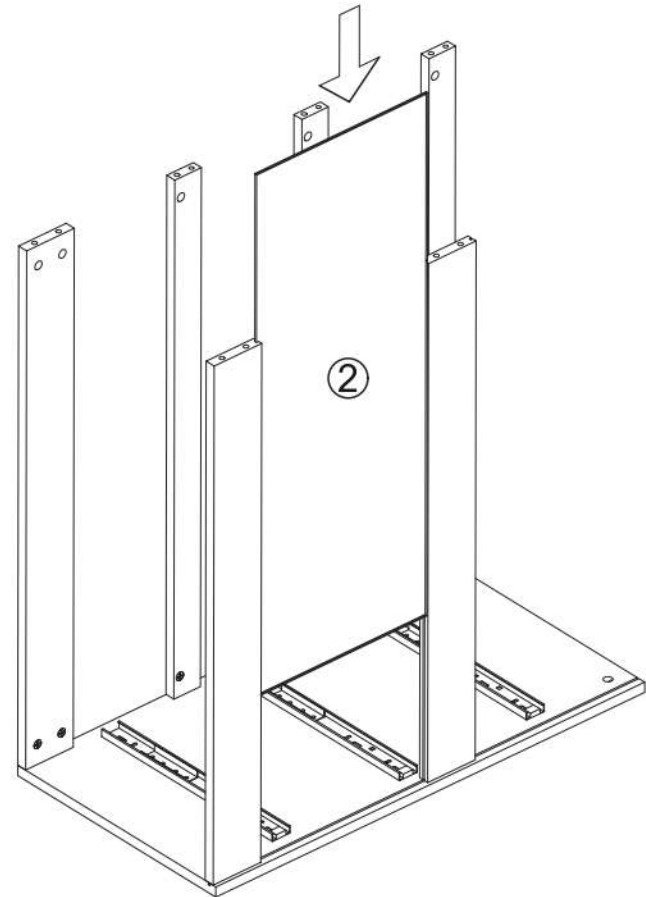
A	x9	F	x6	G2	x3
					
6x35mm		M3x12mm			

5

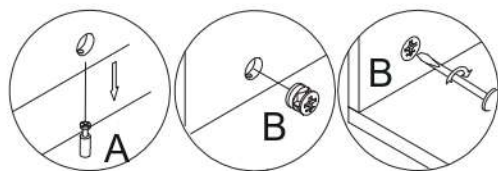
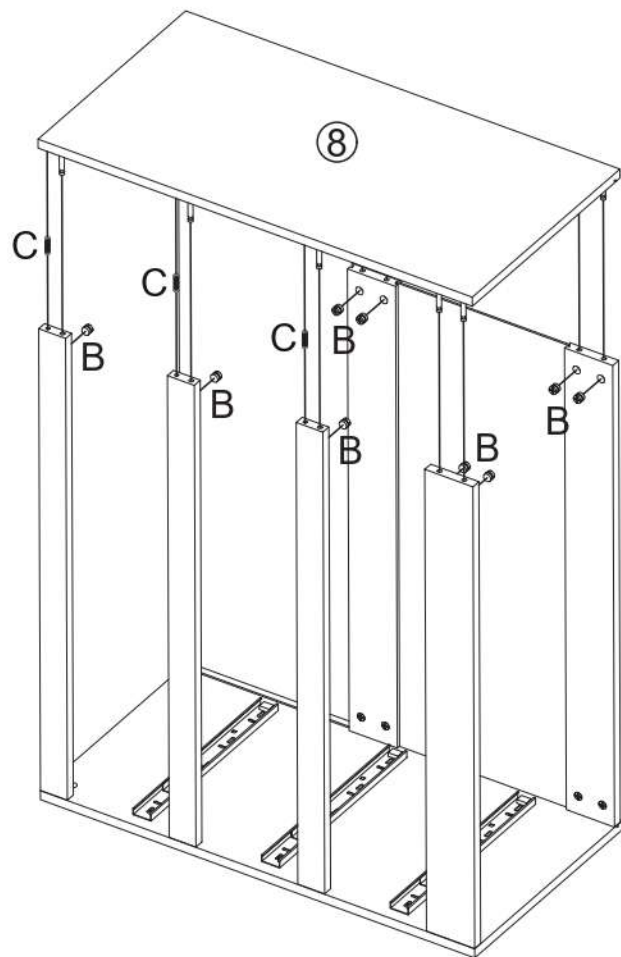




B	x9	C	x3
			
12x10mm		Ø6x30mm	

6

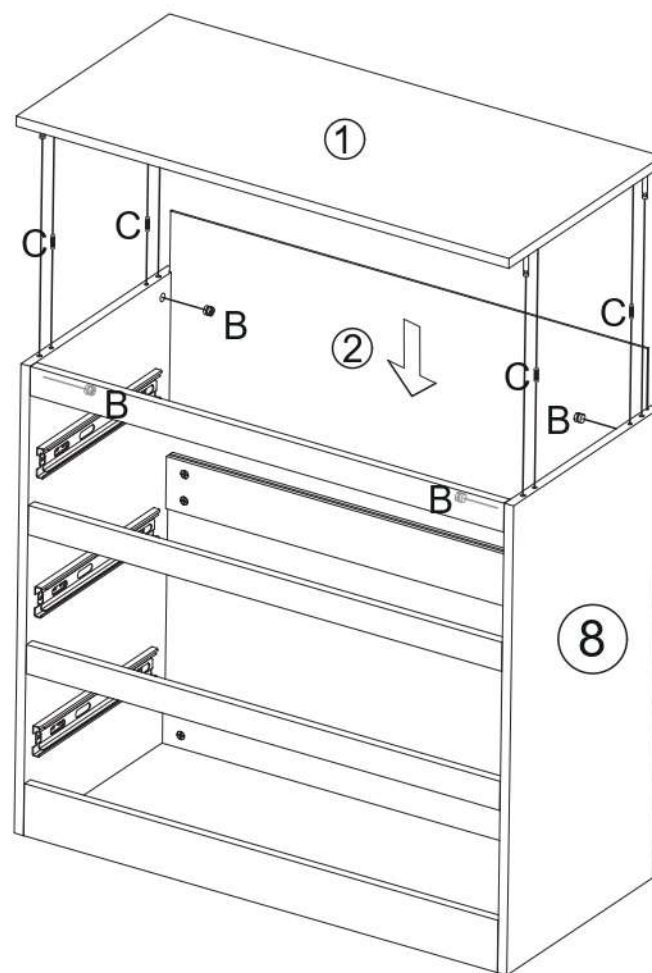




7



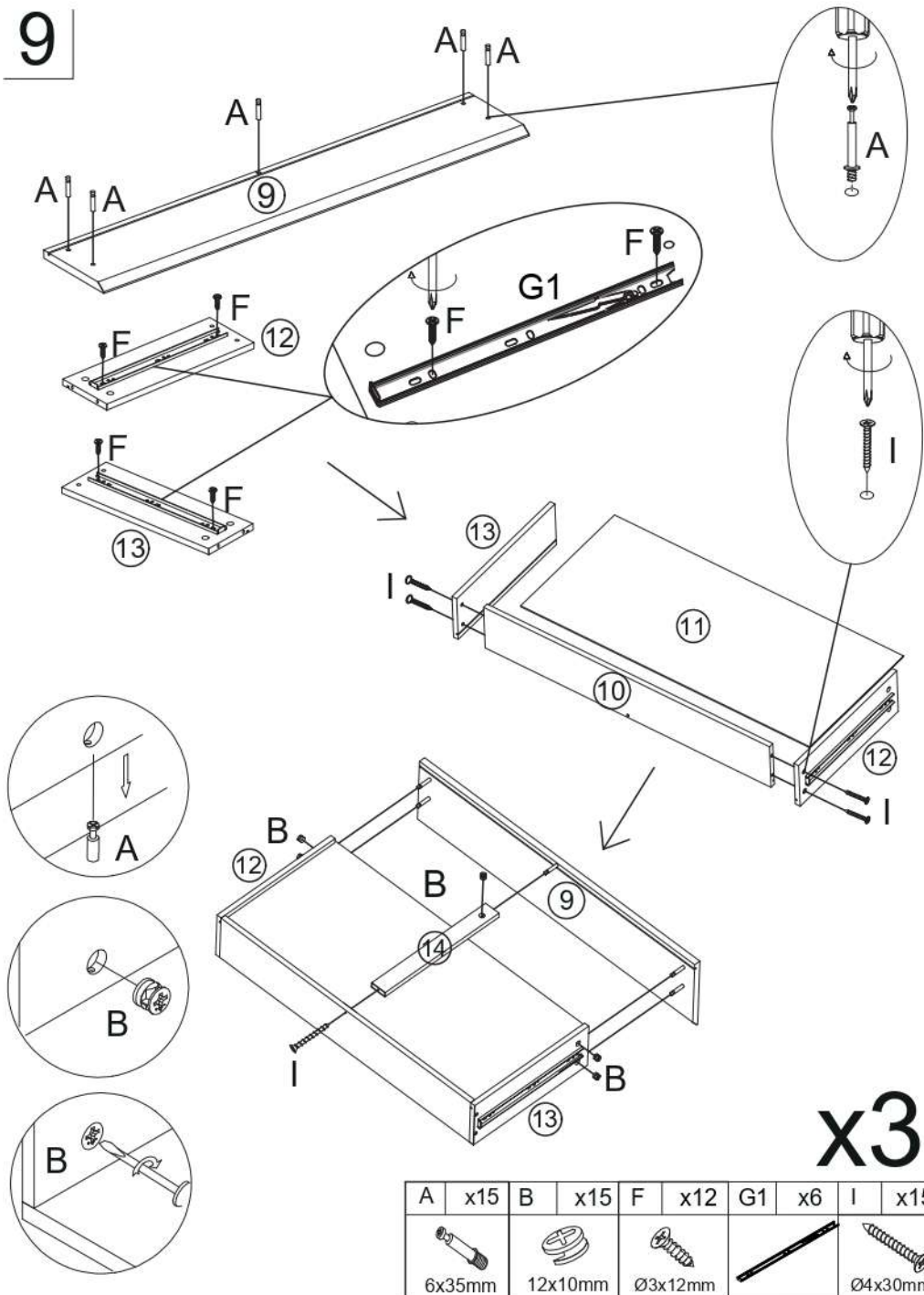
B	x9	C	x3
			
12x10mm		Ø6x30mm	

8



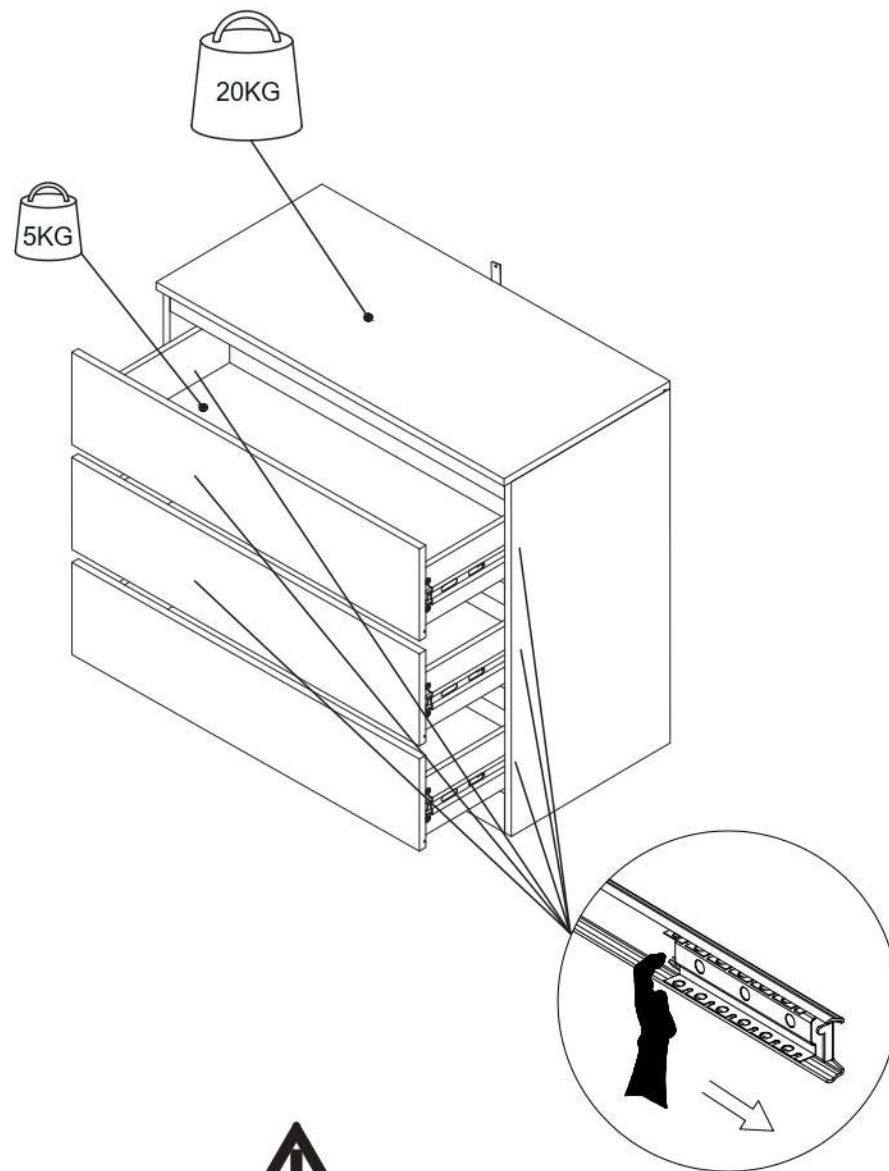
C	x4	B	x4
			
Ø6x30mm		12x10mm	

9



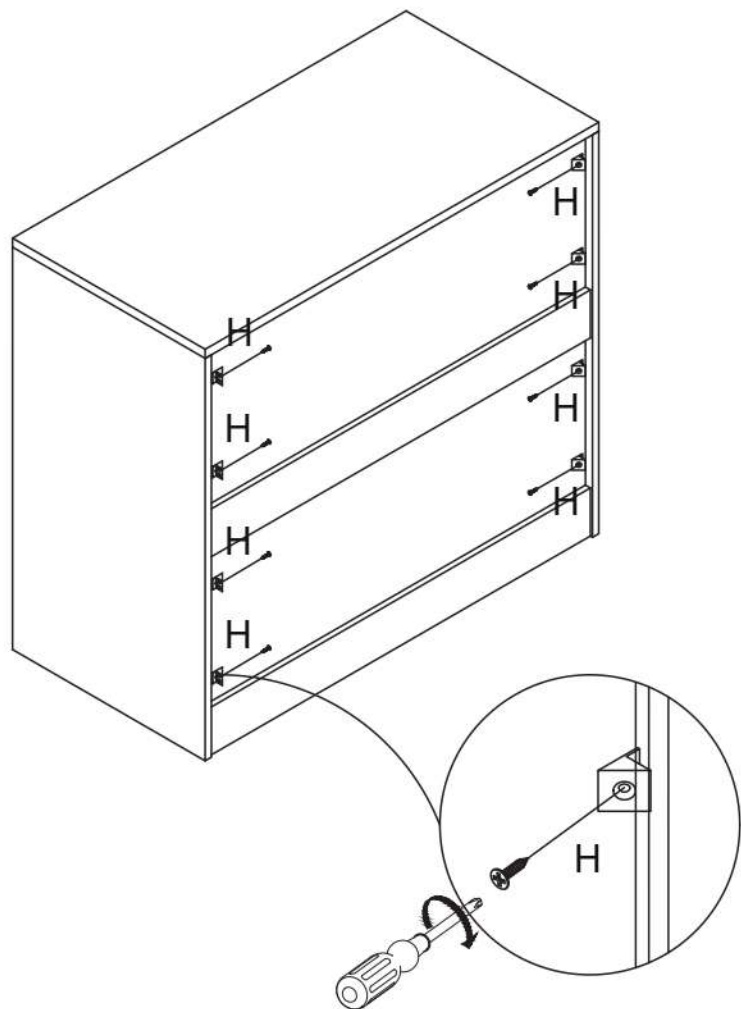
A	x15	B	x15	F	x12	G1	x6	I	x15
6x35mm		12x10mm		Ø3x12mm				Ø4x30mm	



10



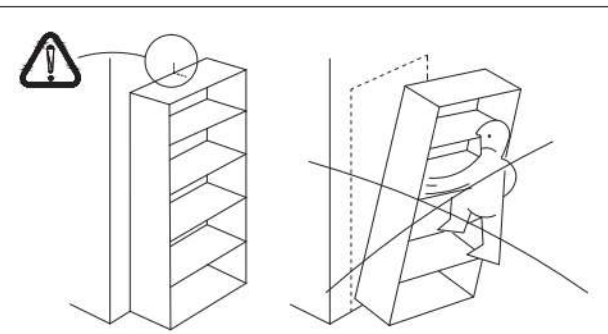
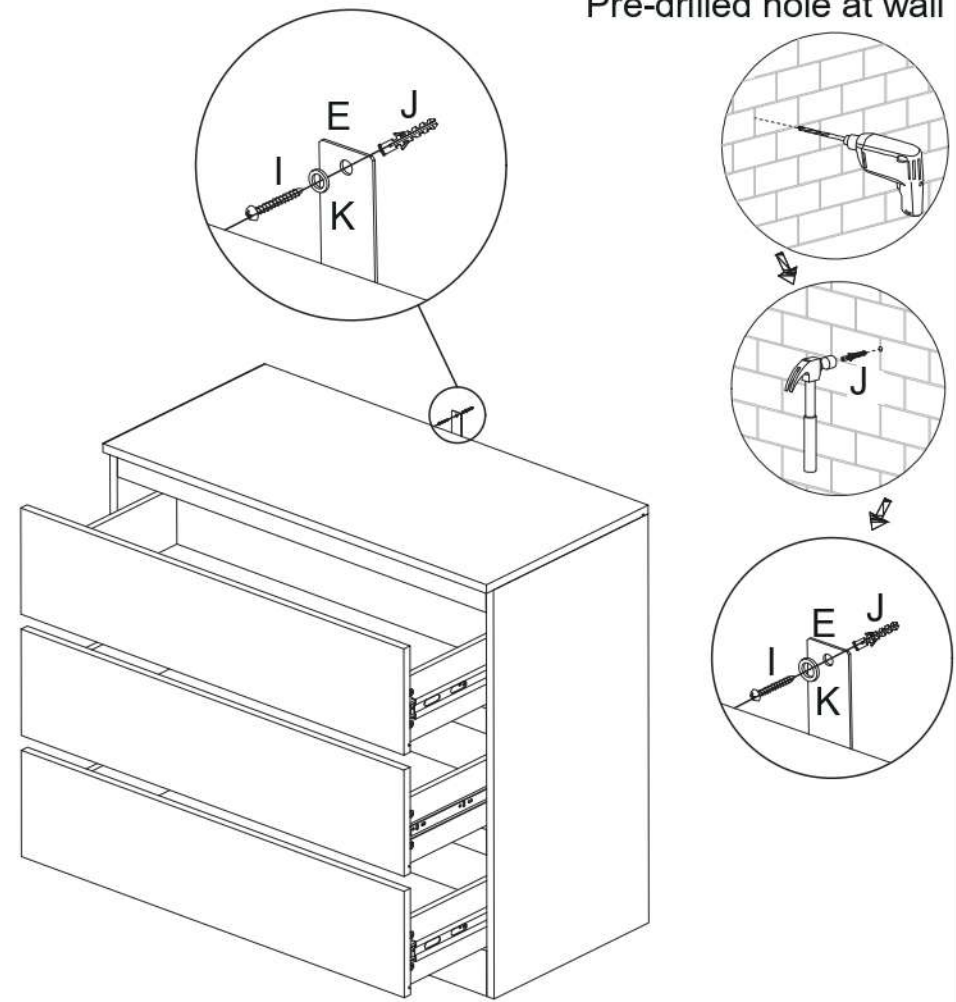
Attention: The ball must be in front.




11



H	x8
	
Ø3x14mm	

Pre-drilled hole at wall



I	x1	J	x1	K	x1
					
M4x30mm					